



US00D673424S

(12) **United States Design Patent**  
**Topur**

(10) **Patent No.:** **US D673,424 S**  
(45) **Date of Patent:** **\*\* Jan. 1, 2013**

(54) **UTENSIL HANDLE**

**DESCRIPTION**

- (76) Inventor: **Eda E. Topur**, Seattle, WA (US)
- (\*\*) Term: **14 Years**
- (21) Appl. No.: **29/412,001**
- (22) Filed: **Jan. 27, 2012**
- (51) **LOC (9) Cl.** ..... **07-02**
- (52) **U.S. Cl.** ..... **D7/401.2; D7/653**
- (58) **Field of Classification Search** ..... D7/368,  
D7/393-395, 401.2, 642-646, 649-654, 660-664,  
D7/669, 675-676, 683, 688-692, 695-696;  
30/137, 141-143, 147-150, 322-327, 329,  
30/340, 342-344; 416/70 R, 75  
See application file for complete search history.

(56) **References Cited**

**U.S. PATENT DOCUMENTS**

2,111,407	A *	3/1938	Rommel	.....	416/75
D309,399	S *	7/1990	Barnard et al.	.....	D7/412
D426,108	S *	6/2000	Anton et al.	.....	D7/412
D545,640	S *	7/2007	Risden	.....	D7/653
7,975,386	B1 *	7/2011	Halvorson	.....	30/141
D658,434	S *	5/2012	Zemel	.....	D7/393
D662,367	S *	6/2012	Boozer et al.	.....	D7/653

\* cited by examiner

*Primary Examiner* — Ricky Pham

(74) *Attorney, Agent, or Firm* — James RCypher; Charles R. Cypher

(57) **CLAIM**

The ornamental design for the utensil handle, as shown and described.

FIG. 1 is an upper side perspective view of the utensil handle showing my design.

FIG. 2 an upper side perspective view of the utensil handle of FIG. 1 showing one of the segments of the utensil handle rotated less than ninety degrees.

FIG. 3 is a top plan view of the utensil handle of FIG. 1.

FIG. 4 is a left side elevation view of the utensil handle of FIG. 1.

FIG. 5 is a rear elevation view of the utensil handle of FIG. 1.

FIG. 6 is a bottom plan view of the utensil handle of FIG. 1.

FIG. 7 is a right side elevation view of the utensil handle of FIG. 1.

FIG. 8 is front elevation view of the utensil handle of FIG. 1.

FIG. 9 is a front elevation view of the utensil handle of FIG. 1 showing the area of attachment of the utensil in dashed line.

FIG. 10 is an upper side perspective view of the utensil handle showing my design.

FIG. 11 an upper side perspective view of the utensil handle of FIG. 10 showing one of the segments of the utensil handle rotated less than ninety degrees.

FIG. 12 is a top plan view of the utensil handle of FIG. 10.

FIG. 13 is a left side elevation view of the utensil handle of FIG. 10.

FIG. 14 is a rear elevation view of the utensil handle of FIG. 10.

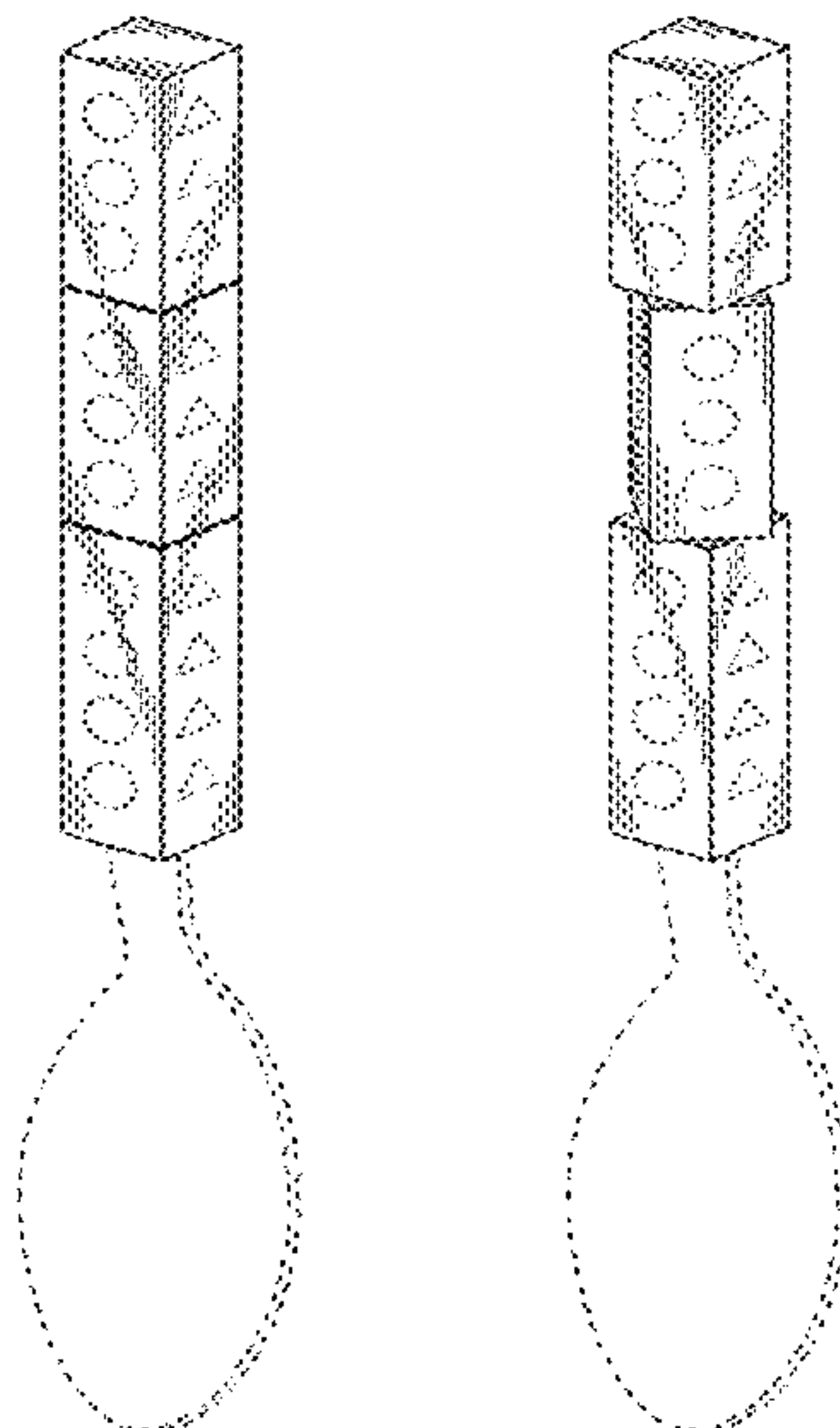
FIG. 15 is a bottom plan view of the utensil handle of FIG. 10.

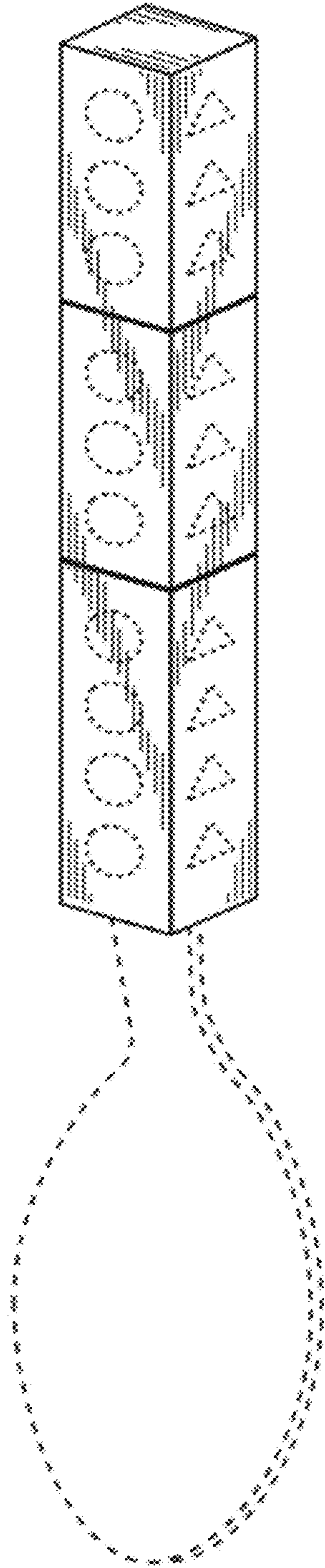
FIG. 16 is a right side elevation view of the utensil handle of FIG. 10.

FIG. 17 is front elevation view of the utensil handle of FIG. 10; and,

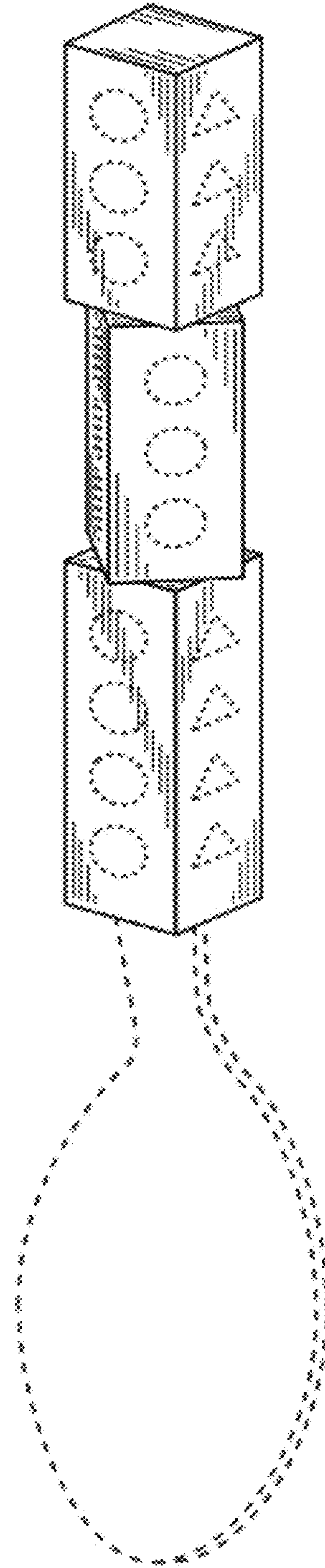
FIG. 18 is a front elevation view of the utensil handle of FIG. 10 showing the area of attachment of the utensil in dashed line.

**1 Claim, 6 Drawing Sheets**

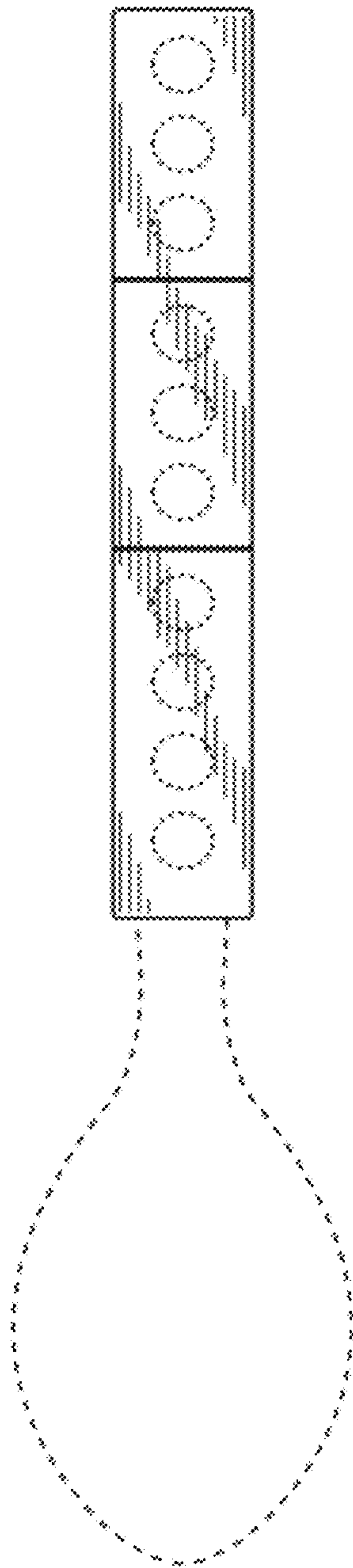




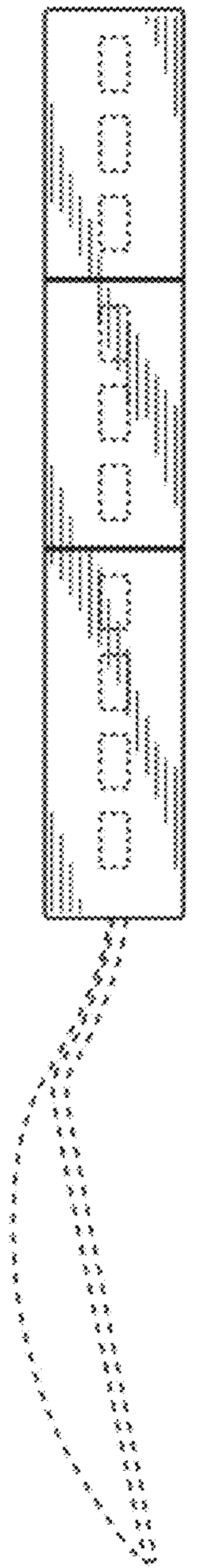
**FIG. 1**



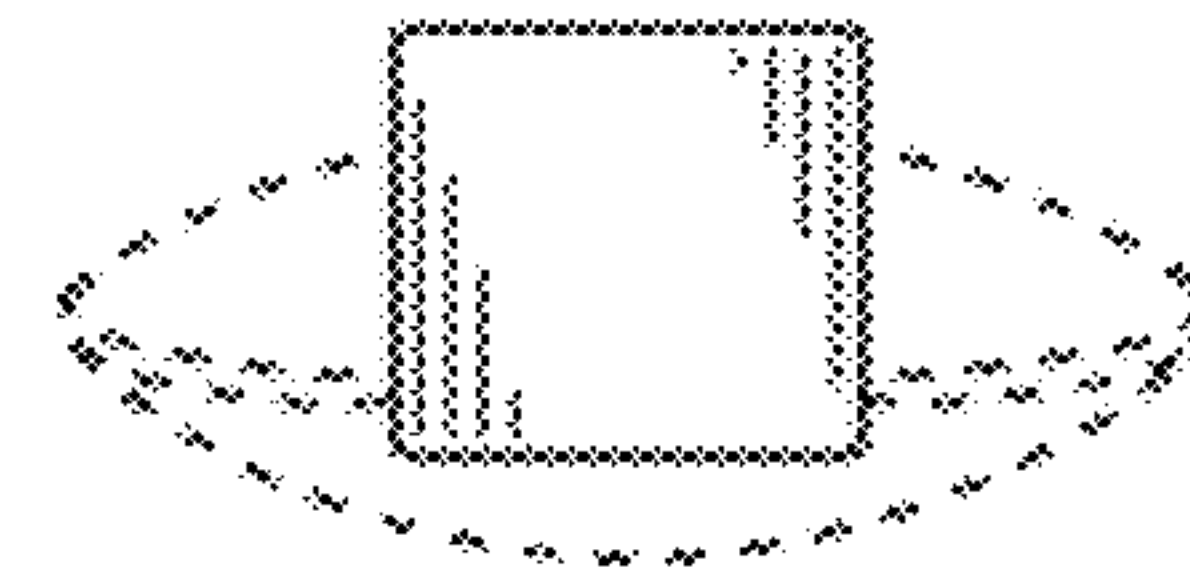
**FIG. 2**



**FIG. 3**

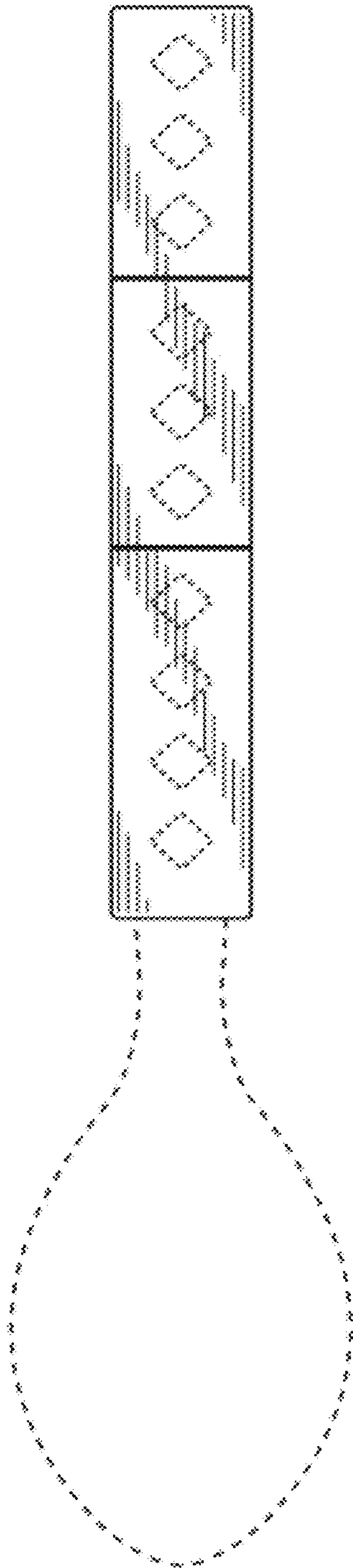


**FIG. 4**

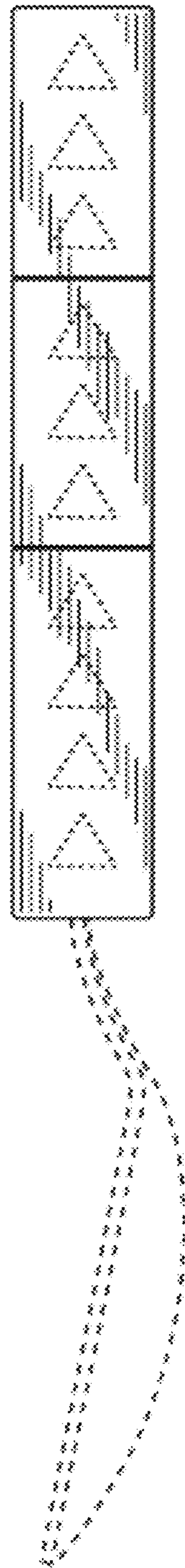


**FIG. 5**

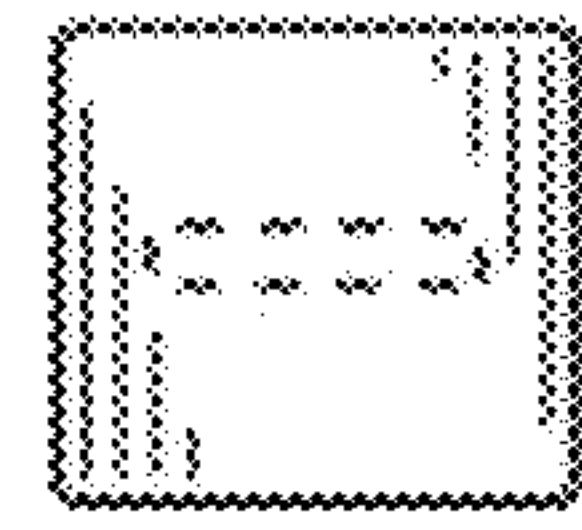




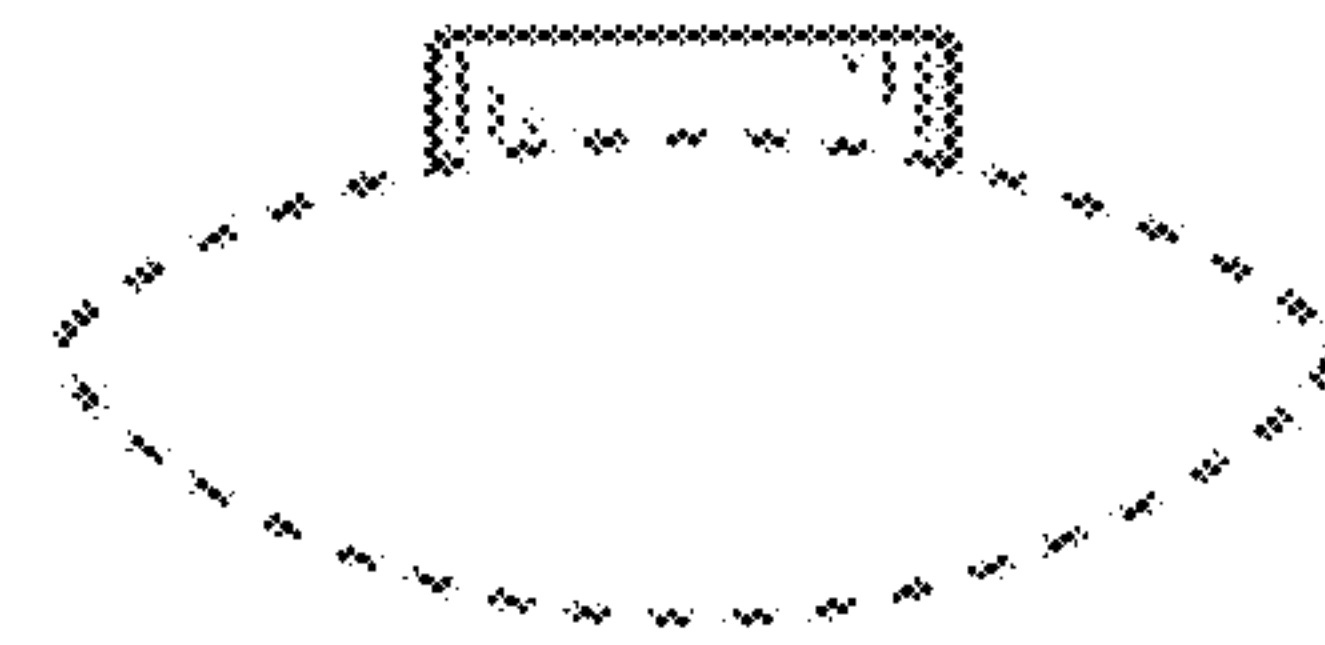
**FIG. 6**



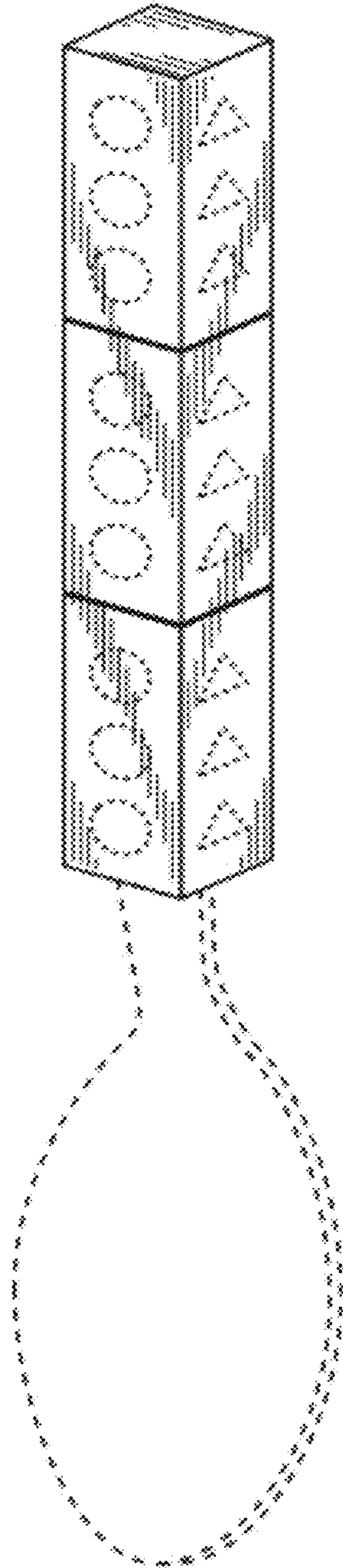
**FIG. 7**



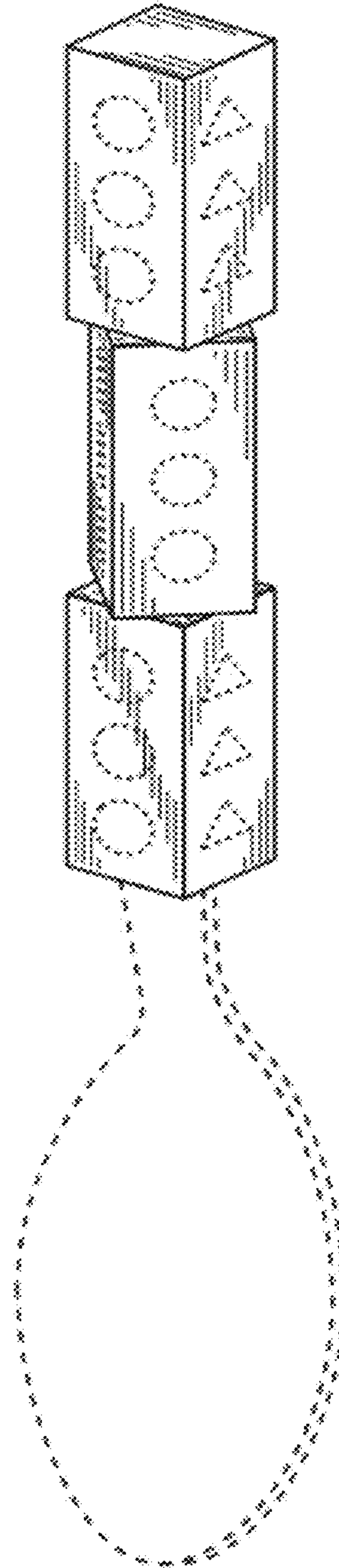
**FIG. 9**



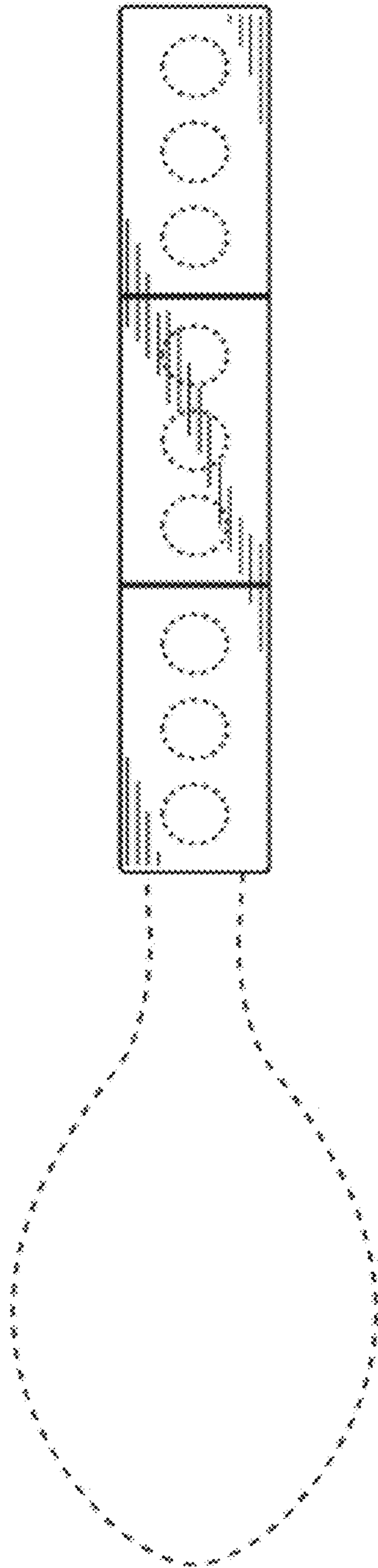
**FIG. 8**



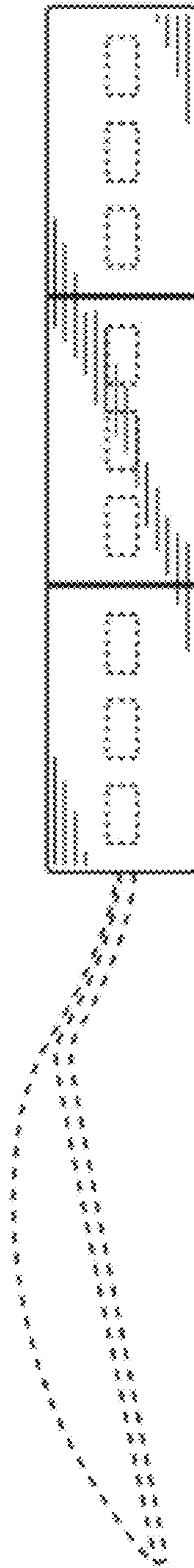
**FIG. 10**



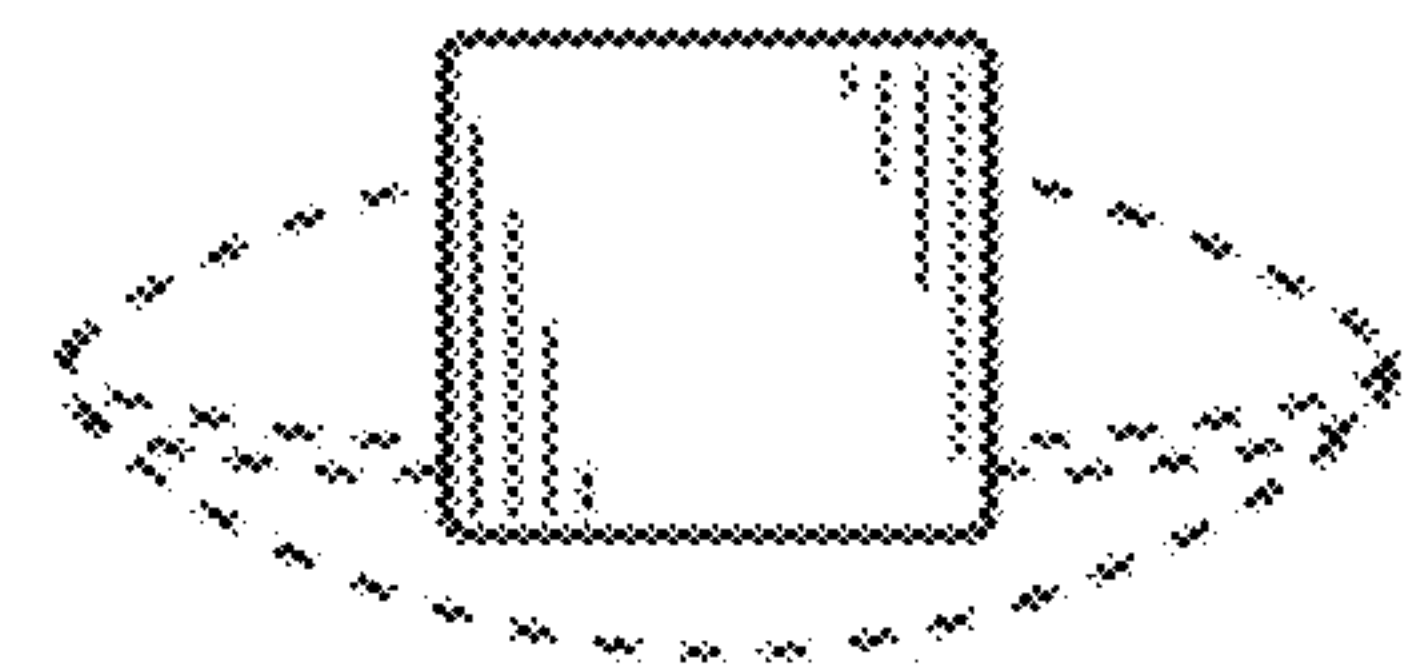
**FIG. 11**



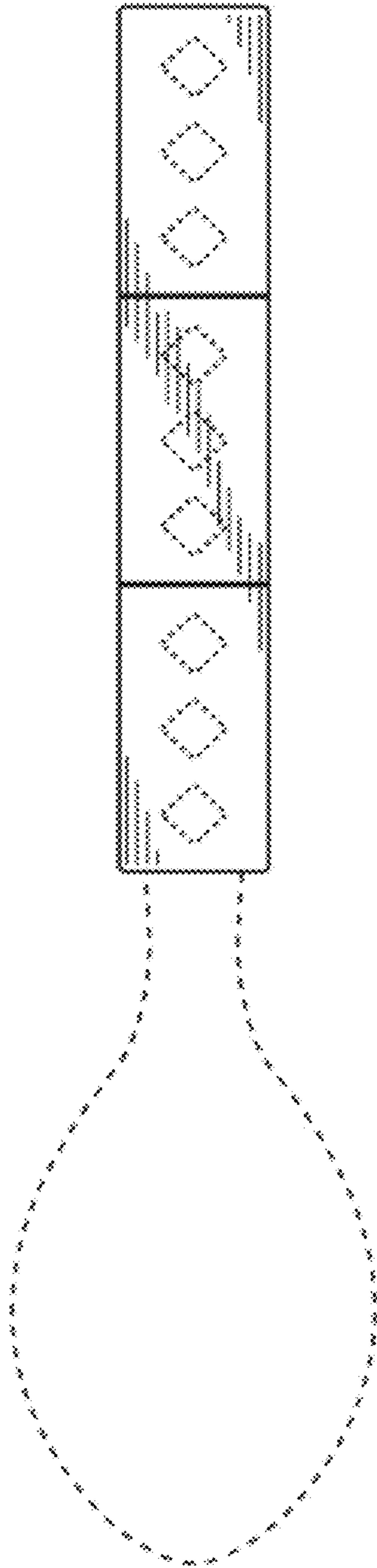
**FIG. 12**



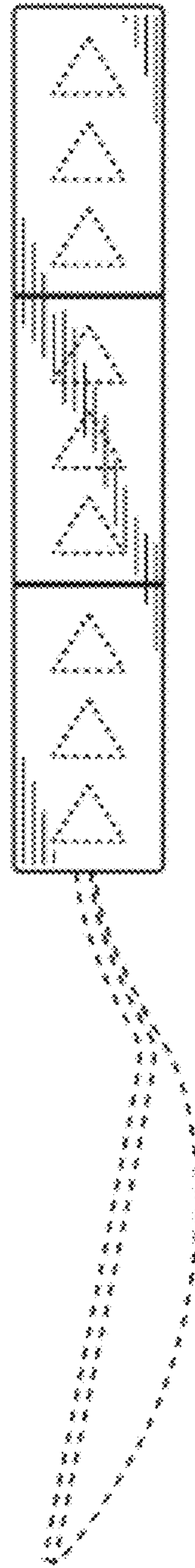
**FIG. 13**



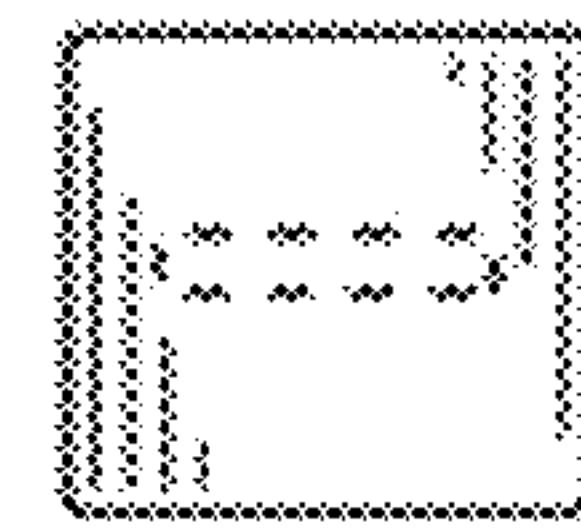
**FIG. 14**



**FIG. 15**



**FIG. 16**



**FIG. 18**



**FIG. 17**