



US00D673423S

(12) **United States Design Patent**
Lane et al.

(10) **Patent No.:** **US D673,423 S**
(45) **Date of Patent:** **** Jan. 1, 2013**

(54) **BOTTLE INSERT FOR A HANDHELD CARBONATION DEVICE**

(75) Inventors: **Gary Lane**, London (GB); **Alan Green**, Radlett (GB); **James Powell-Tuck**, Chipperfield (GB); **Lawrence Melville**, London (GB); **Greg Gormley**, Ascot (GB); **Mike Gormley**, Poole (GB); **Steve Aldridge**, Walberton (GB)

(73) Assignee: **Ingazzi Limited**, Poole (GB)

(**) Term: **14 Years**

(21) Appl. No.: **29/377,641**

(22) Filed: **Oct. 24, 2010**

(51) **LOC (9) Cl.** **07-01**

(52) **U.S. Cl.** **D7/398; D7/397; D7/300.1**

(58) **Field of Classification Search** **D7/397, D7/398, 313, 306, 300.1, 399; 99/323.2; 222/146.6, 113; D23/238, 255**
See application file for complete search history.

(56) **References Cited**

U.S. PATENT DOCUMENTS

D121,052	S	*	6/1940	Ward	D7/300.1
3,355,068	A	*	11/1967	Harland et al.	222/30
D213,489	S	*	3/1969	Foxell	D7/300.1
D300,896	S	*	5/1989	Hagan et al.	D7/300.1
D366,833	S	*	2/1996	Daansen	D9/447

D401,477	S	*	11/1998	Martindale	D7/590
D409,045	S	*	5/1999	Brady	D7/397
D411,710	S	*	6/1999	Watters et al.	D7/398
D427,470	S	*	7/2000	Daansen	D6/542
D471,760	S	*	3/2003	Stadermann et al.	D7/398
D482,223	S	*	11/2003	Bibby et al.	D6/580
D483,609	S	*	12/2003	Guadalupi	D7/398
D547,116	S	*	7/2007	Ranzoni	D7/398
D565,877	S	*	4/2008	Chen	D6/542
D590,207	S	*	4/2009	Bronwasser	D7/398
D628,014	S	*	11/2010	Martindale	D7/398
D632,924	S	*	2/2011	Gebhardt et al.	D7/398
D638,659	S	*	5/2011	Martindale et al.	D7/398

* cited by examiner

Primary Examiner — Marianne Pandozzi

(57) **CLAIM**

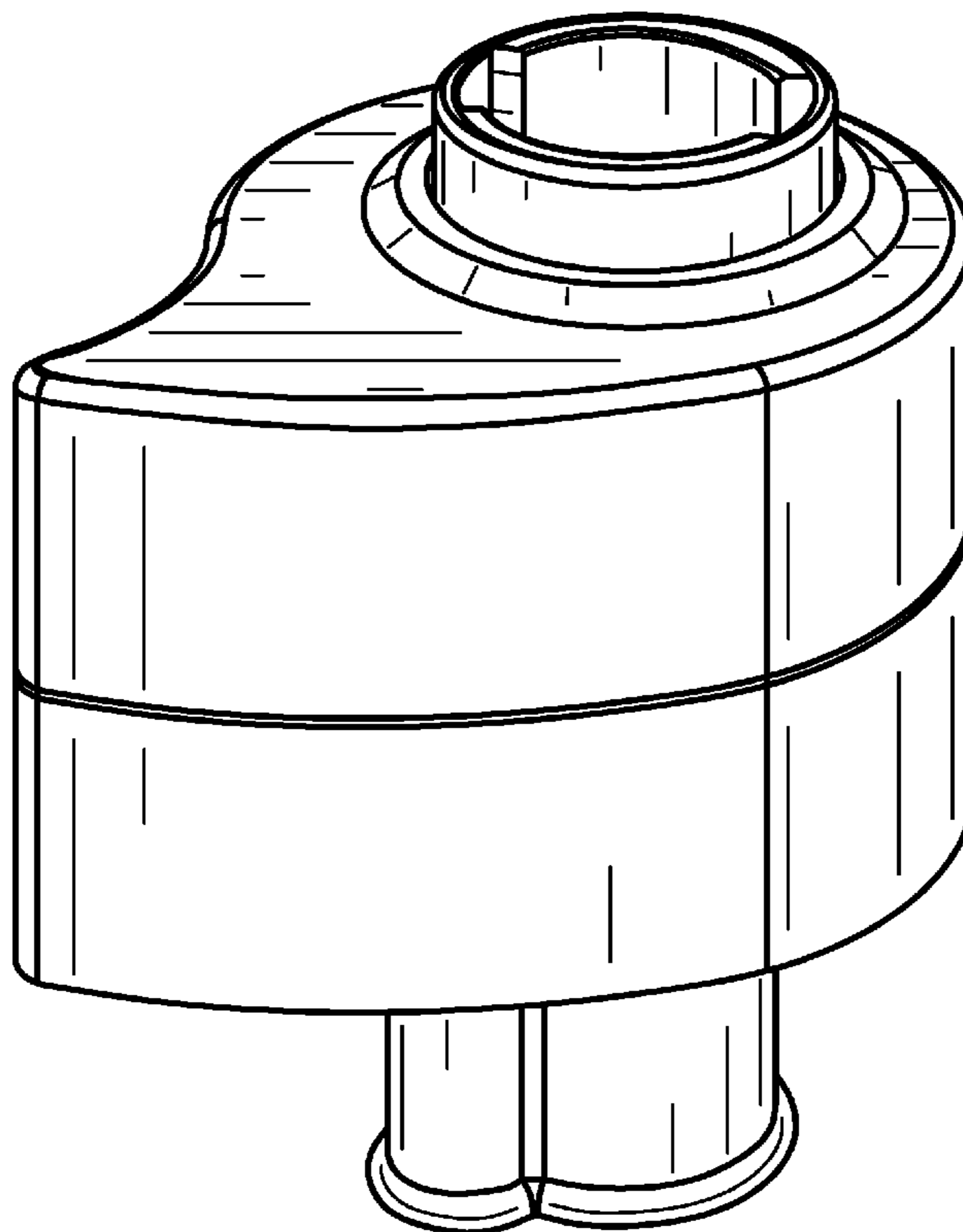
The ornamental design for a bottle insert for a handheld carbonation device, as shown and described.

DESCRIPTION

FIG. 1 is a rear perspective view of a bottle insert for a handheld carbonation device in our new design; FIG. 2 is a right side view thereof; FIG. 3 is a left side view thereof; FIG. 4 is a rear view thereof; FIG. 5 is a front view thereof; FIG. 6 is a top view thereof; and, FIG. 7 is a bottom view thereof.

The parts shown as broken lines in FIGS. 6 and 7 form no part of the claimed design.

1 Claim, 7 Drawing Sheets



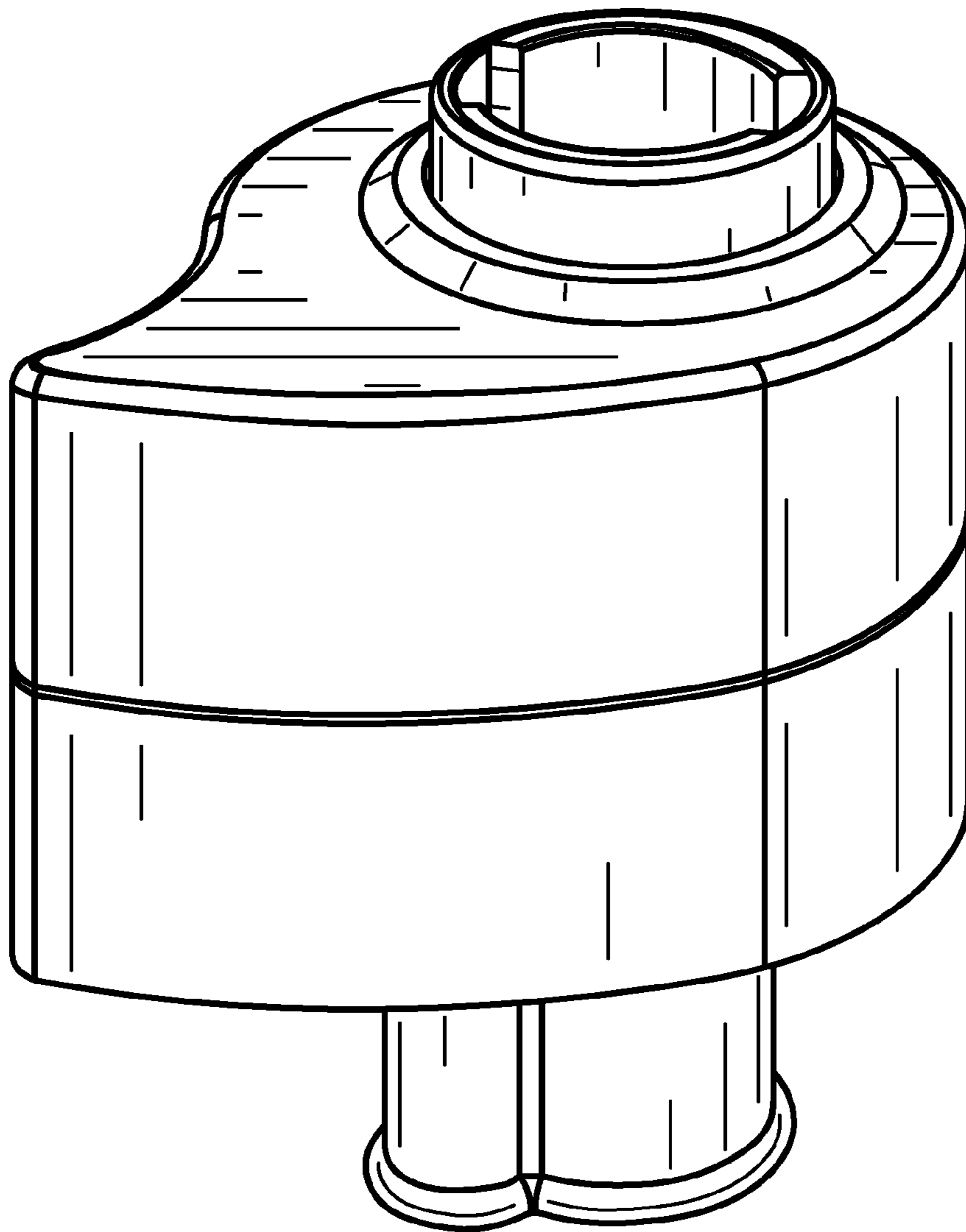


FIG. 1

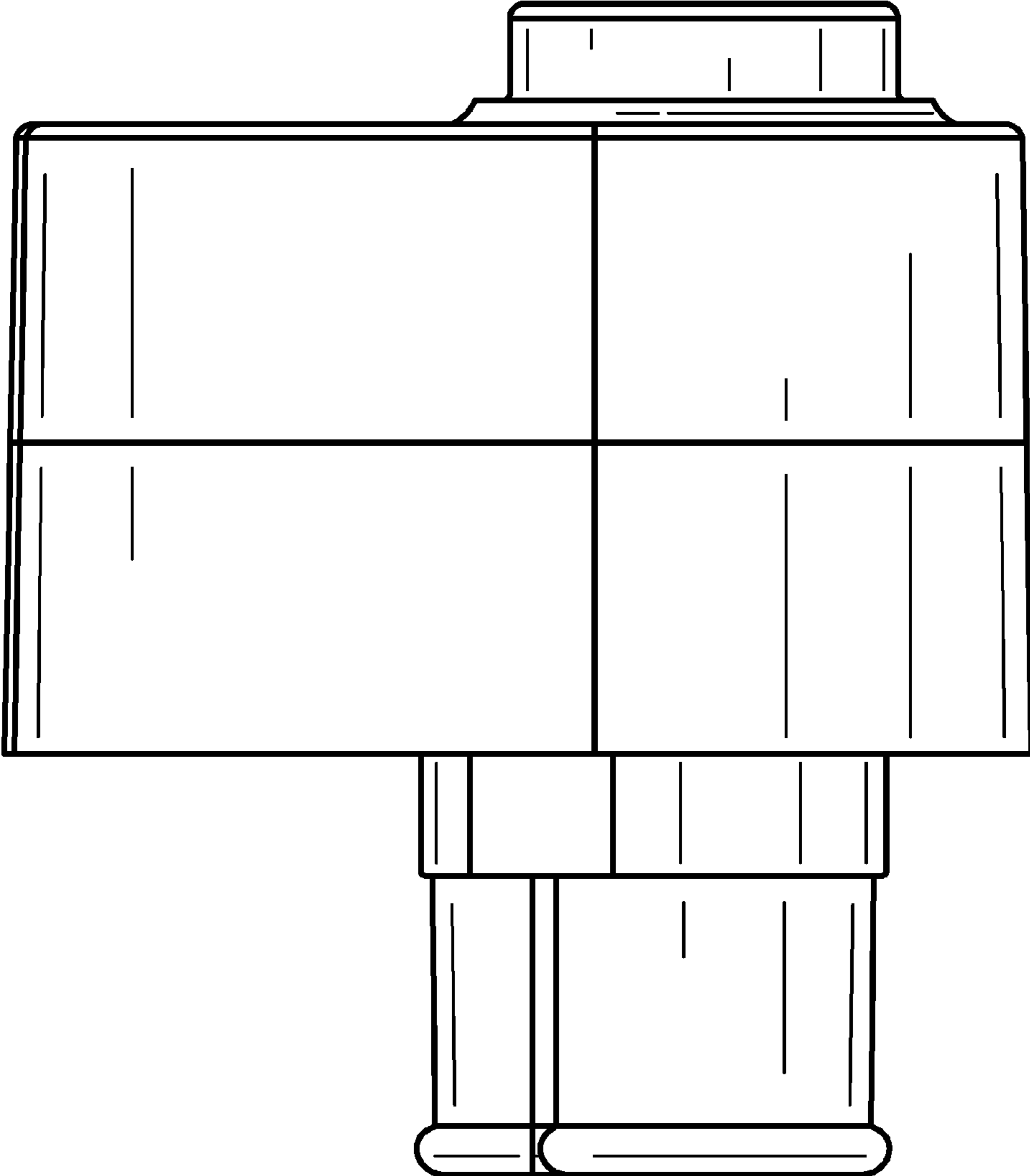


FIG. 2

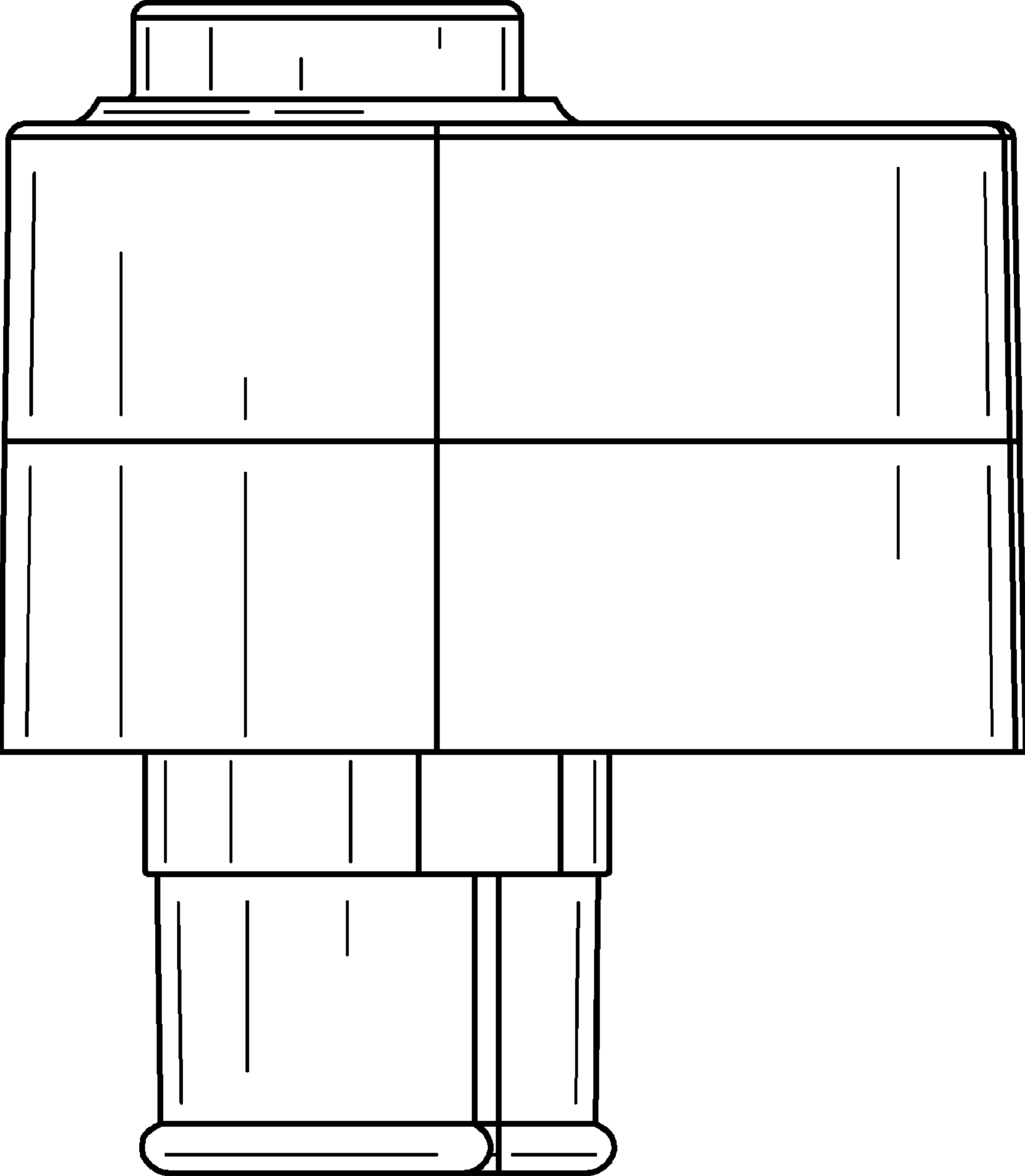


FIG. 3

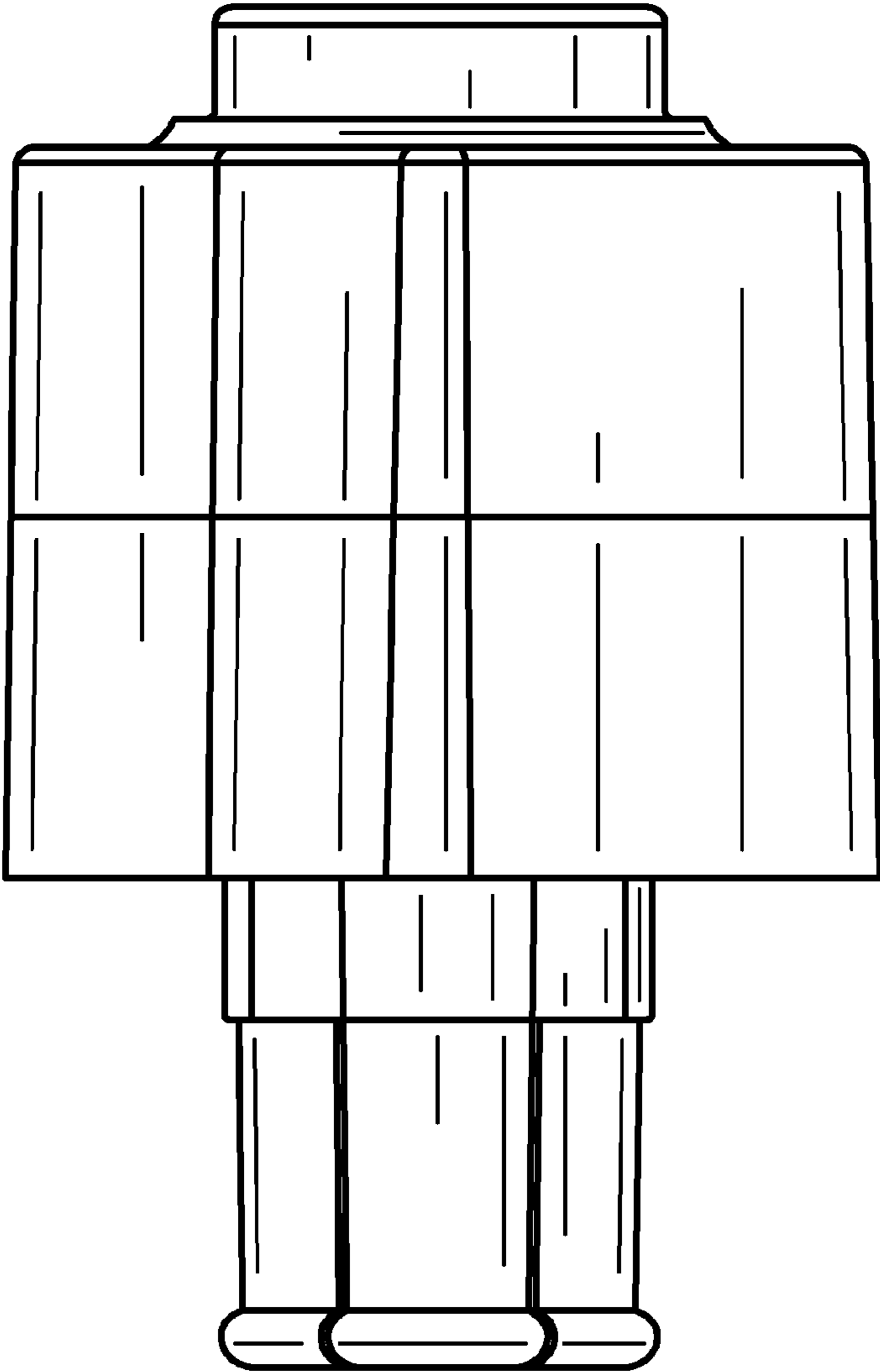


FIG. 4

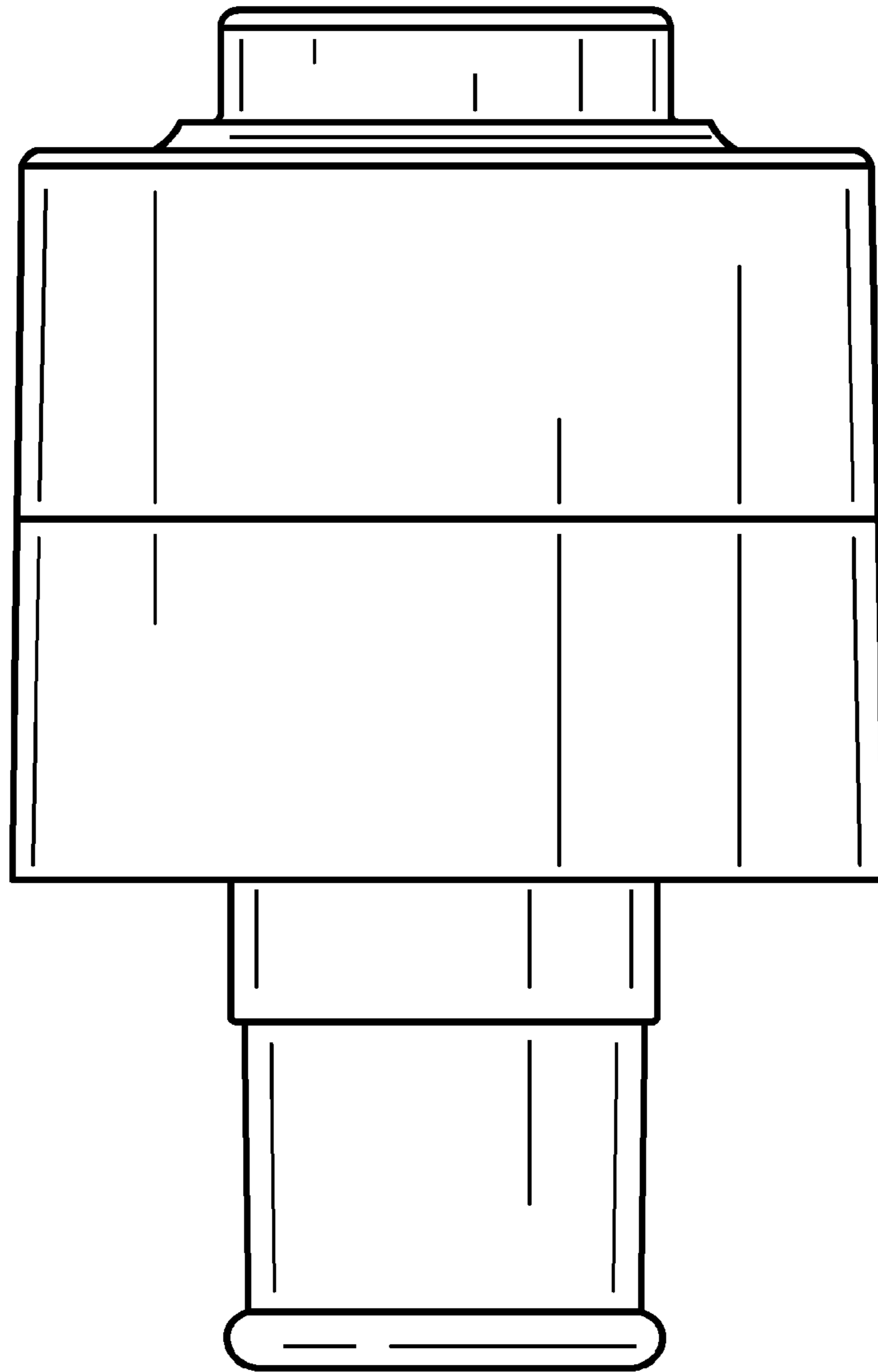


FIG. 5

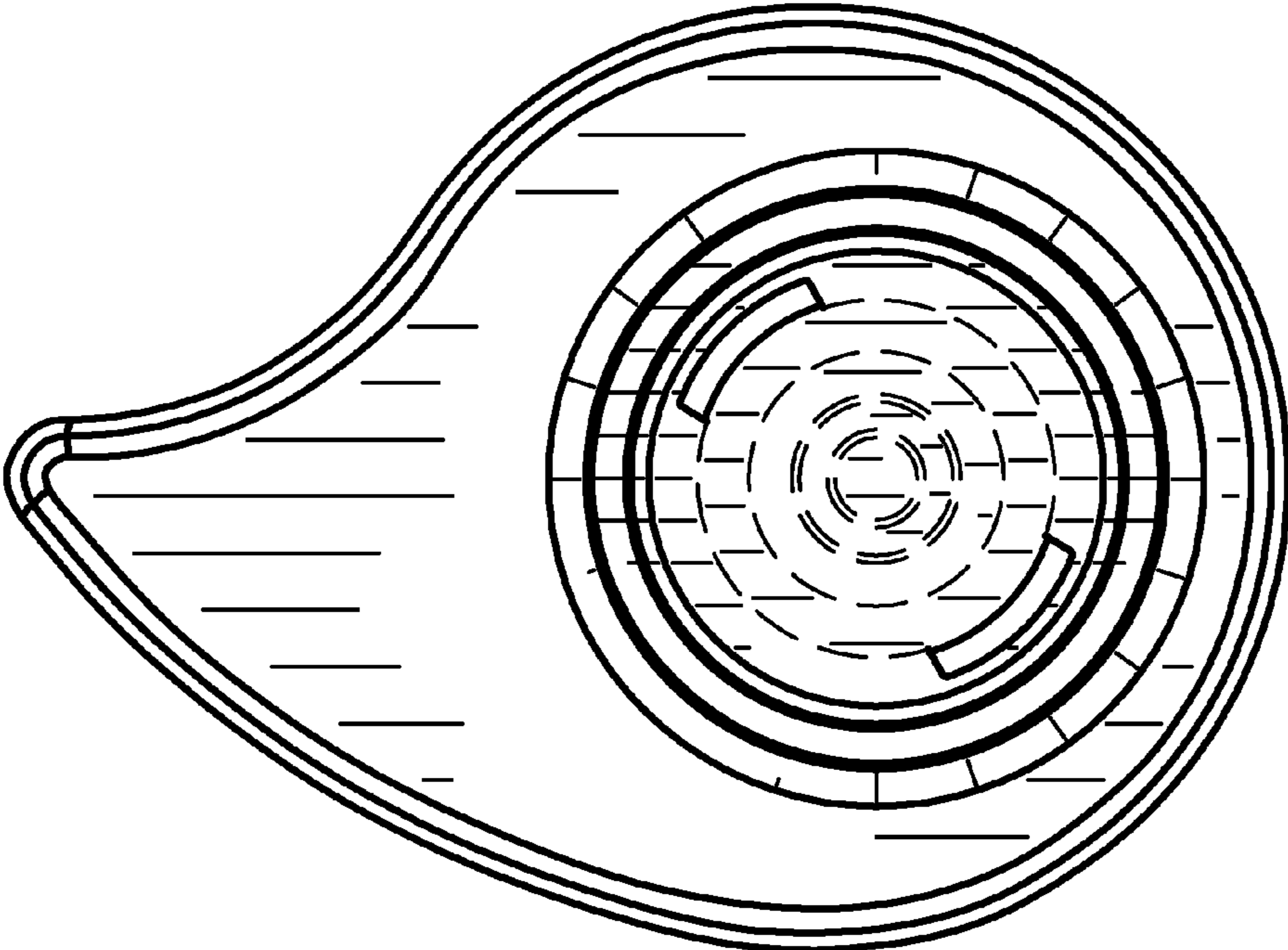


FIG. 6

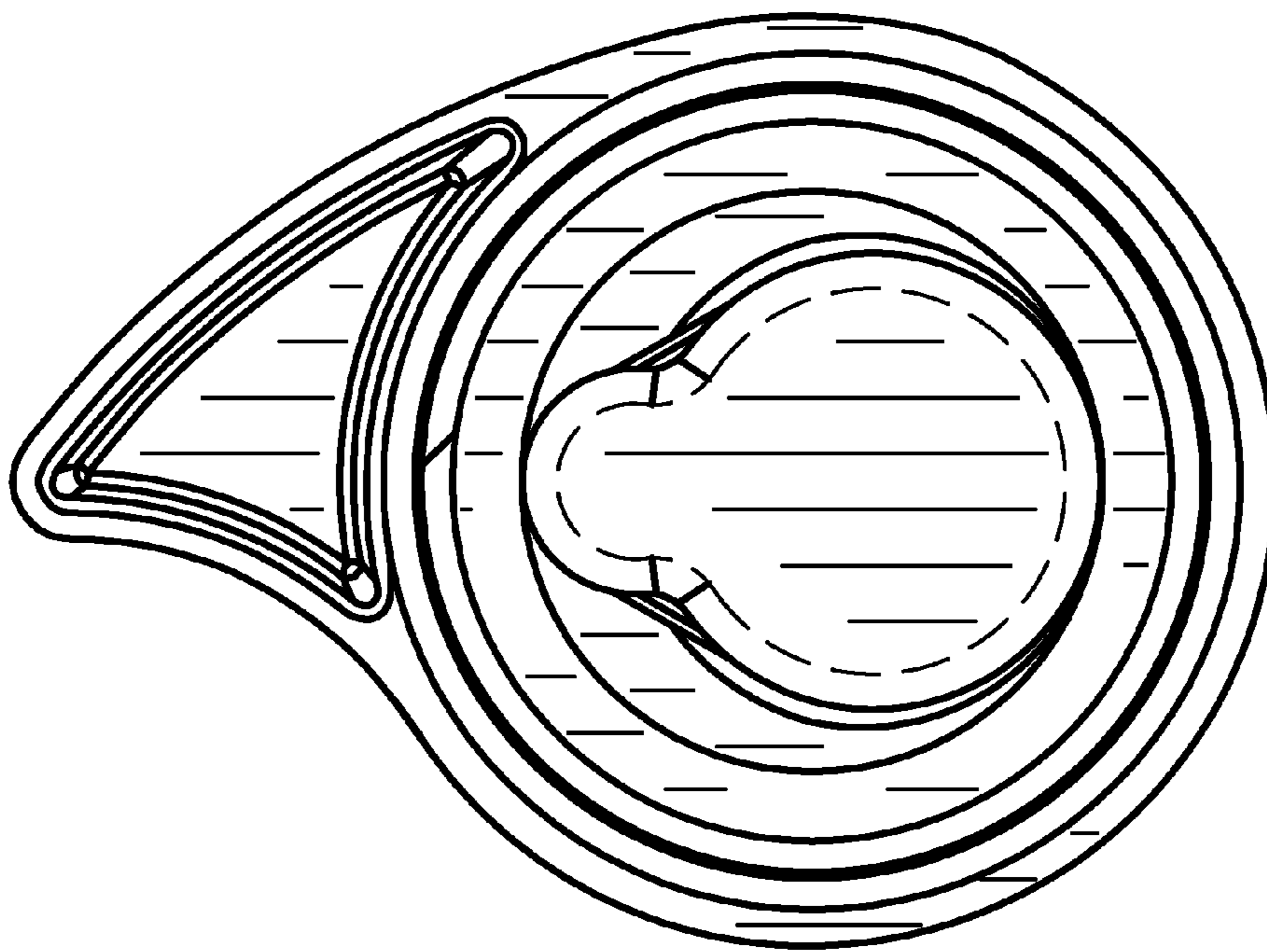


FIG. 7