



US00D673422S

(12) **United States Design Patent**
Lane et al.

(10) **Patent No.:** **US D673,422 S**
(45) **Date of Patent:** **** Jan. 1, 2013**

(54) **HANDHELD CARBONATION DEVICE**

(75) Inventors: **Gary Lane**, London (GB); **Alan Green**,
Radlett (GB); **James Powell-Tuck**,
Chipperfield (GB); **Lawrence Melville**,
London (GB); **Greg Gormley**, Ascot
(GB); **Mike Gormley**, Poole (GB);
Steve Aldridge, Walberton (GB)

(73) Assignee: **Ingazzi Limited**, Poole (GB)

(**) Term: **14 Years**

(21) Appl. No.: **29/377,639**

(22) Filed: **Oct. 24, 2010**

(51) **LOC (9) Cl.** **07-99**

(52) **U.S. Cl.** **D7/398; D7/397; D9/440**

(58) **Field of Classification Search** D7/397,
D7/398, 313, 306, 300.1, 399; 99/323.2;
222/146.6, 113; D23/238, 255; D9/440

See application file for complete search history.

(56) **References Cited**

U.S. PATENT DOCUMENTS

D121,052 S *	6/1940	ward	D7/300.1
D126,395 S *	4/1941	Huffman	D9/440
D169,462 S *	4/1953	Voight	D9/440
D194,717 S *	2/1963	Purvaince	D9/437
3,355,068 A *	11/1967	Harland et al.	222/30
D213,489 S *	3/1969	Foxell	D7/300.1
D300,896 S *	5/1989	Hagan et al.	D7/300.1
D350,898 S *	9/1994	Soderberg	D9/437
D401,477 S *	11/1998	Martindale	D7/590

D409,045 S *	5/1999	Brady	D7/397
D411,710 S *	6/1999	Watters et al.	D7/398
D471,760 S *	3/2003	Stadermann et al.	D7/398
D482,223 S *	11/2003	Bibby et al.	D6/580
D483,609 S *	12/2003	Guadalupi	D7/398
D484,801 S *	1/2004	Pierce	D9/440
D547,116 S *	7/2007	Ranzoni	D7/398
D590,207 S *	4/2009	Bronwasser	D7/398
D628,014 S *	11/2010	Martindale	D7/398
D638,659 S *	5/2011	Martindale et al.	D7/398

* cited by examiner

Primary Examiner — Marianne Pandozzi

(57) **CLAIM**

The ornamental design for a handheld carbonation device, as shown and described.

DESCRIPTION

FIG. 1 is a front perspective view of a handheld carbonation device showing our new design;

FIG. 2 is a rear perspective view of the handheld carbonation device thereof;

FIG. 3 is a bottom view of the handheld carbonation device thereof;

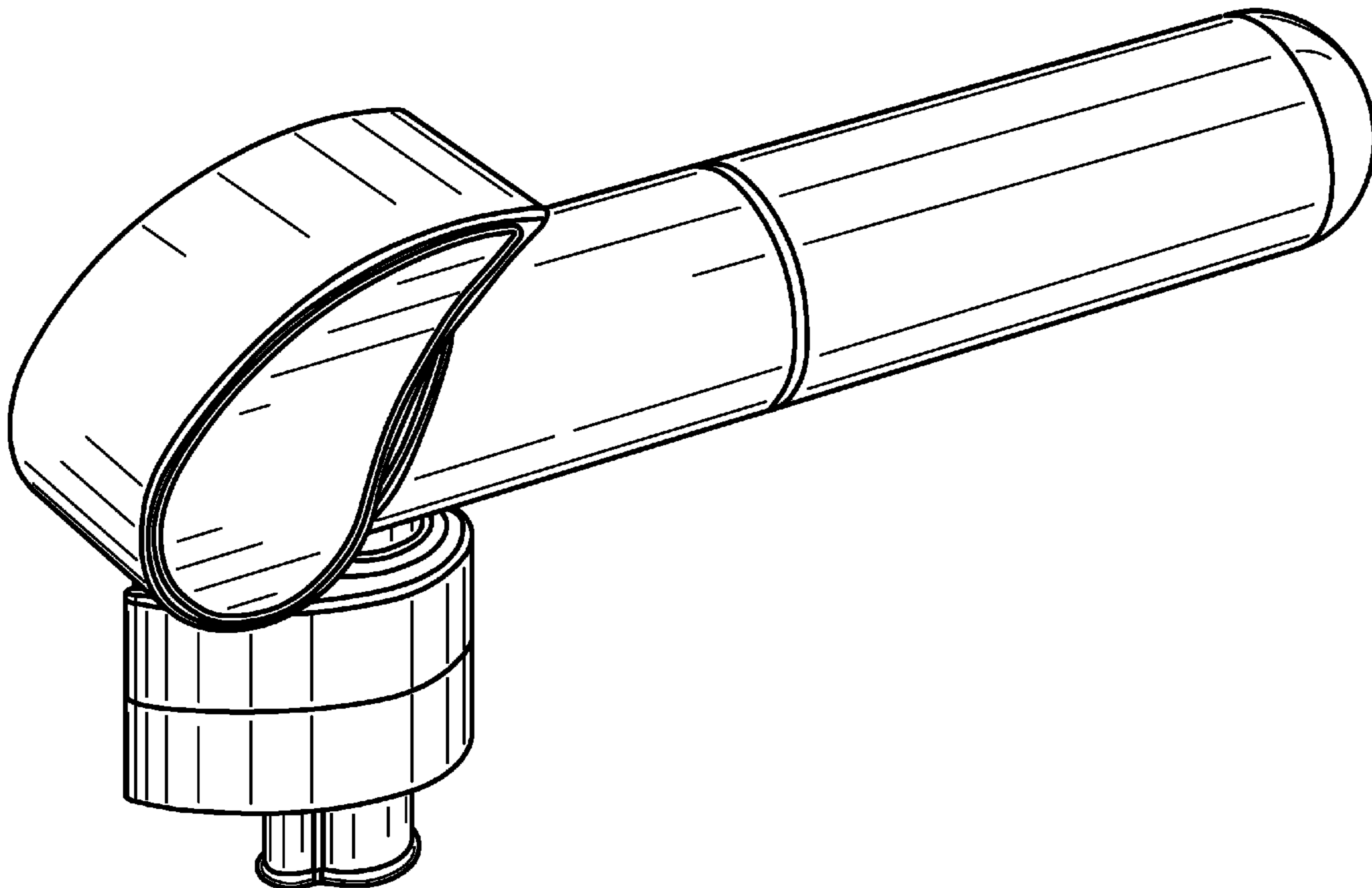
FIG. 4 is a side view of the handheld carbonation device thereof;

FIG. 5 is a top view of the handheld carbonation device thereof;

FIG. 6 is a front view thereof; and,

FIG. 7 is a rear view thereof.

1 Claim, 7 Drawing Sheets



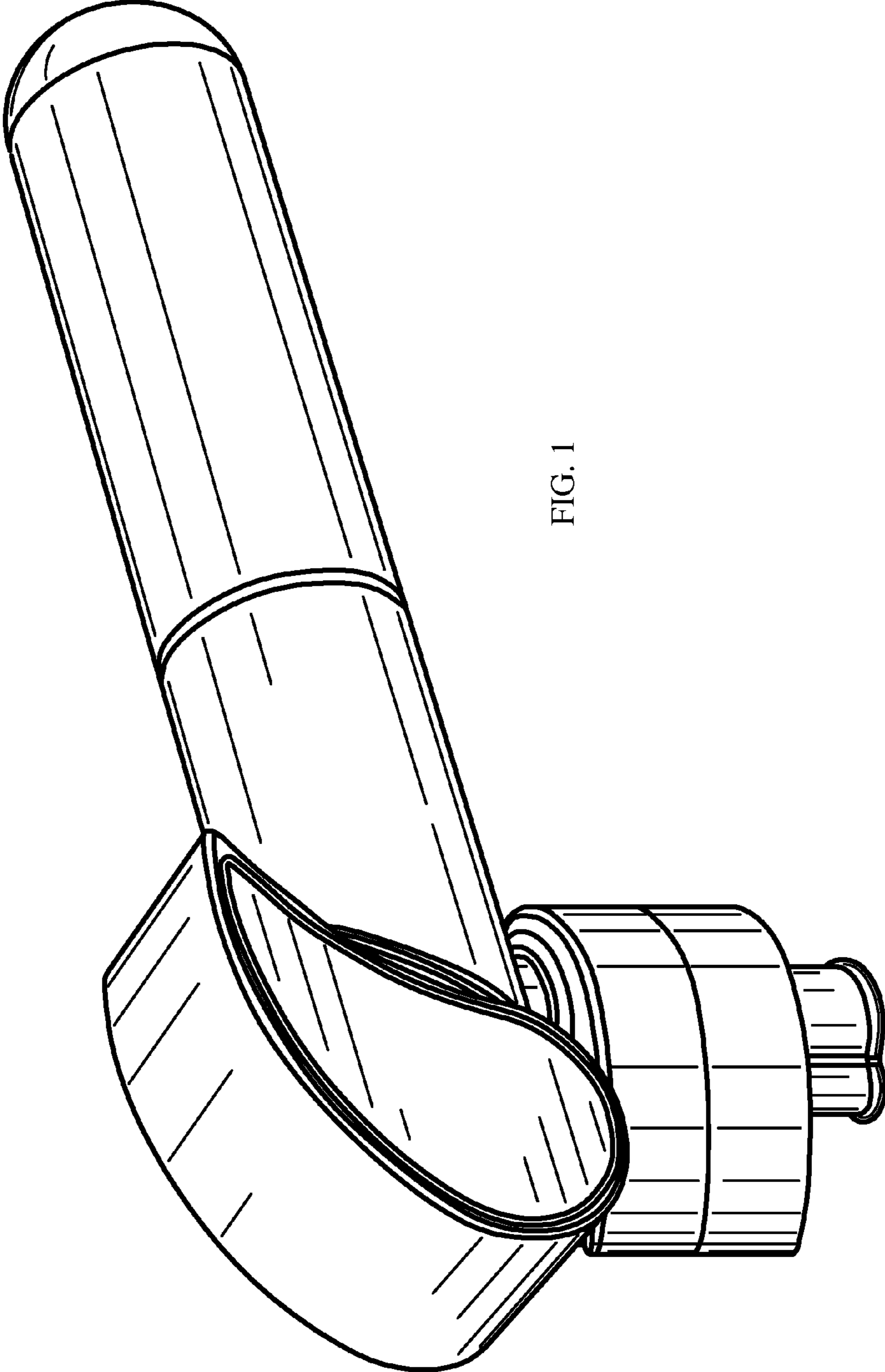


FIG. 1

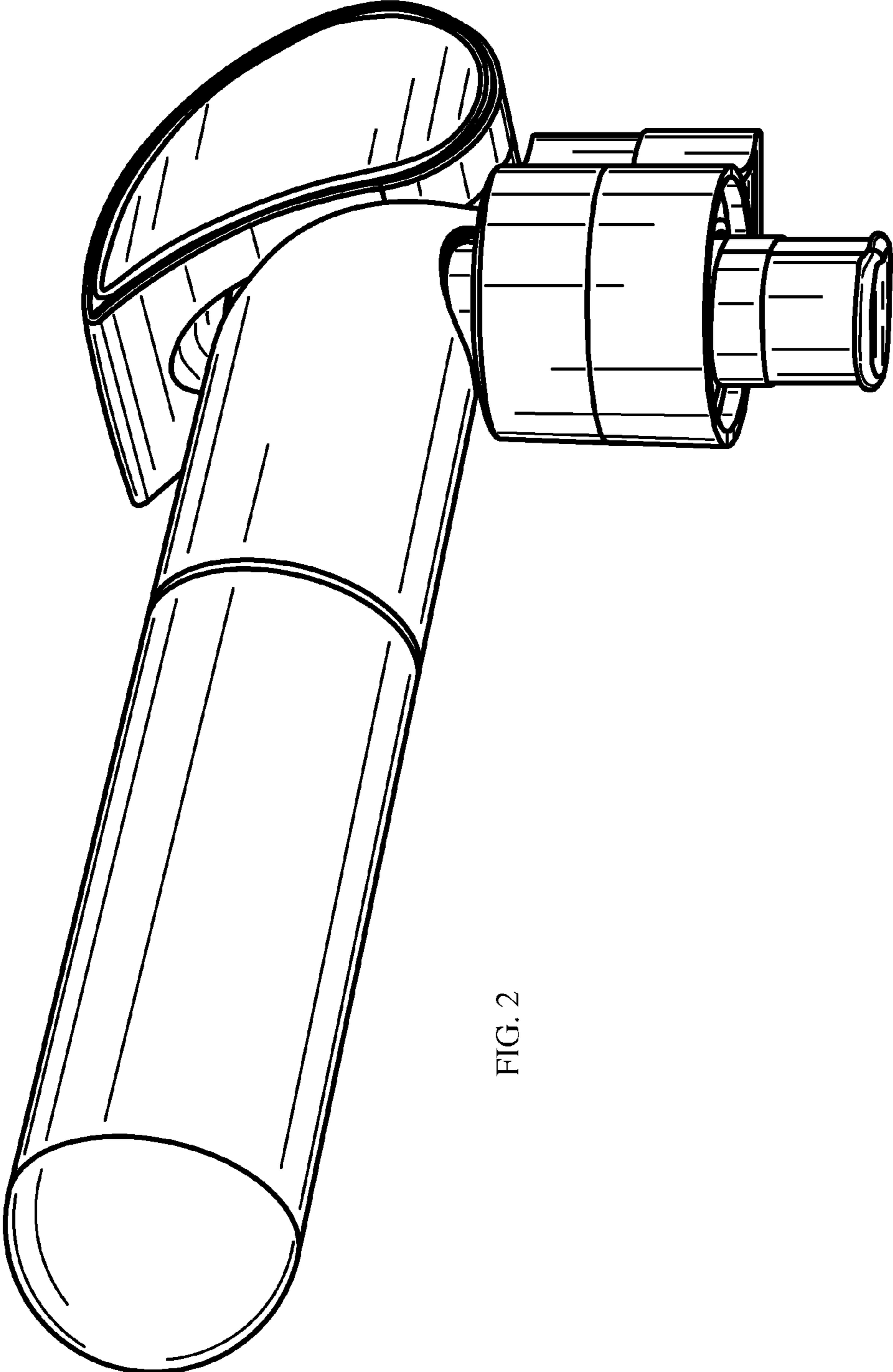


FIG. 2

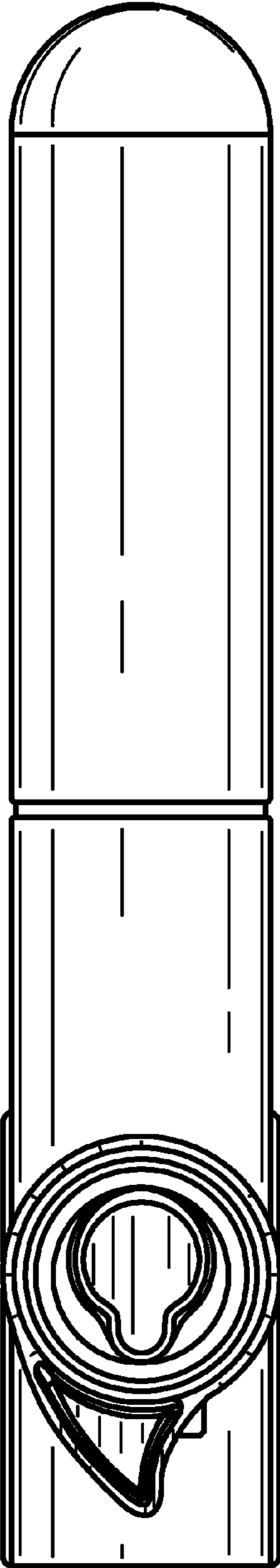


FIG. 3

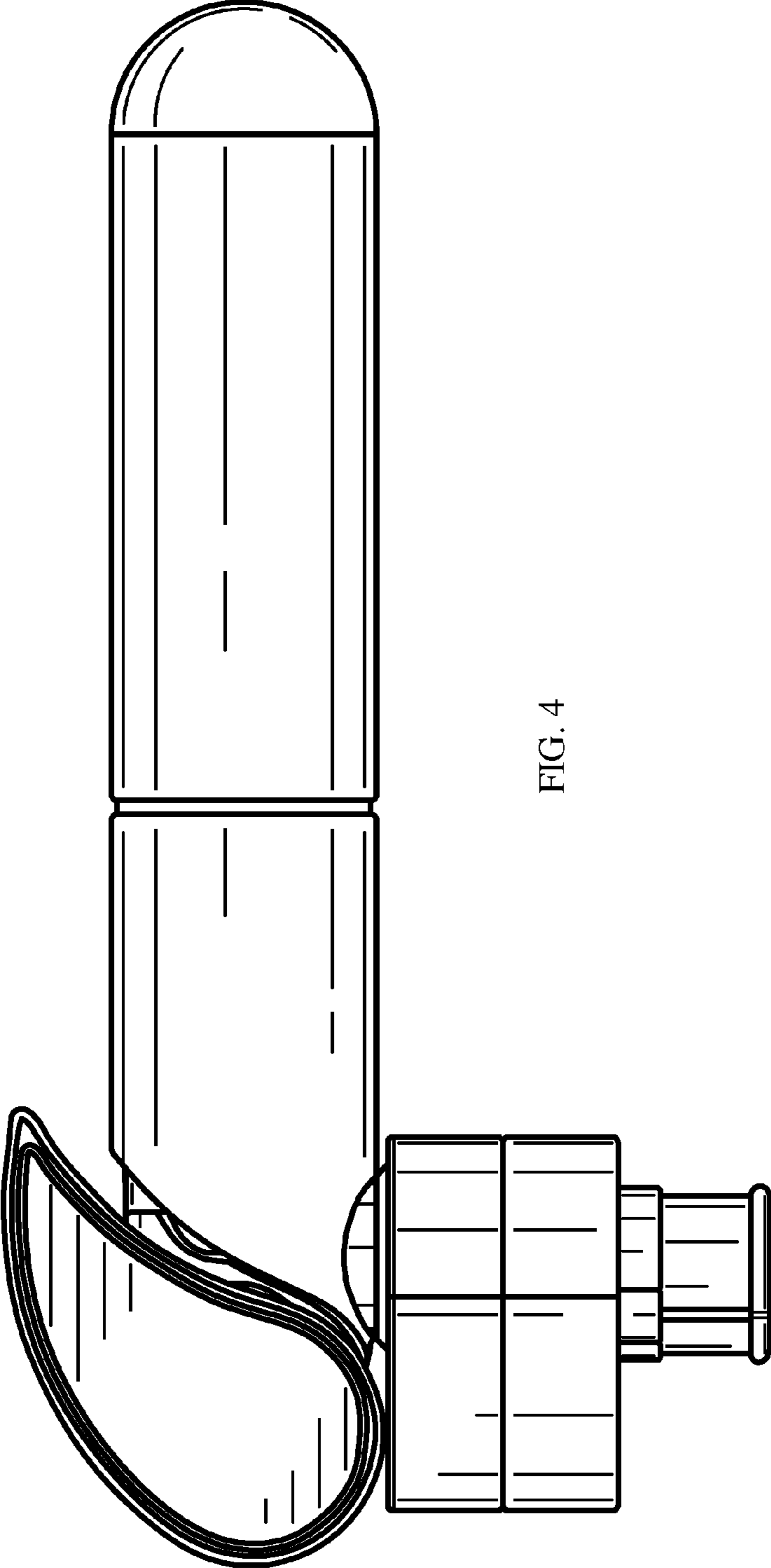


FIG. 4

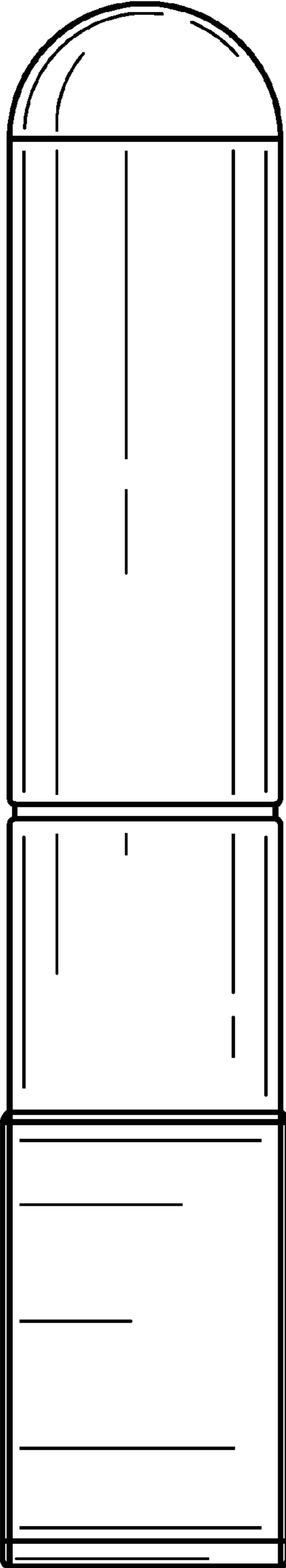


FIG. 5

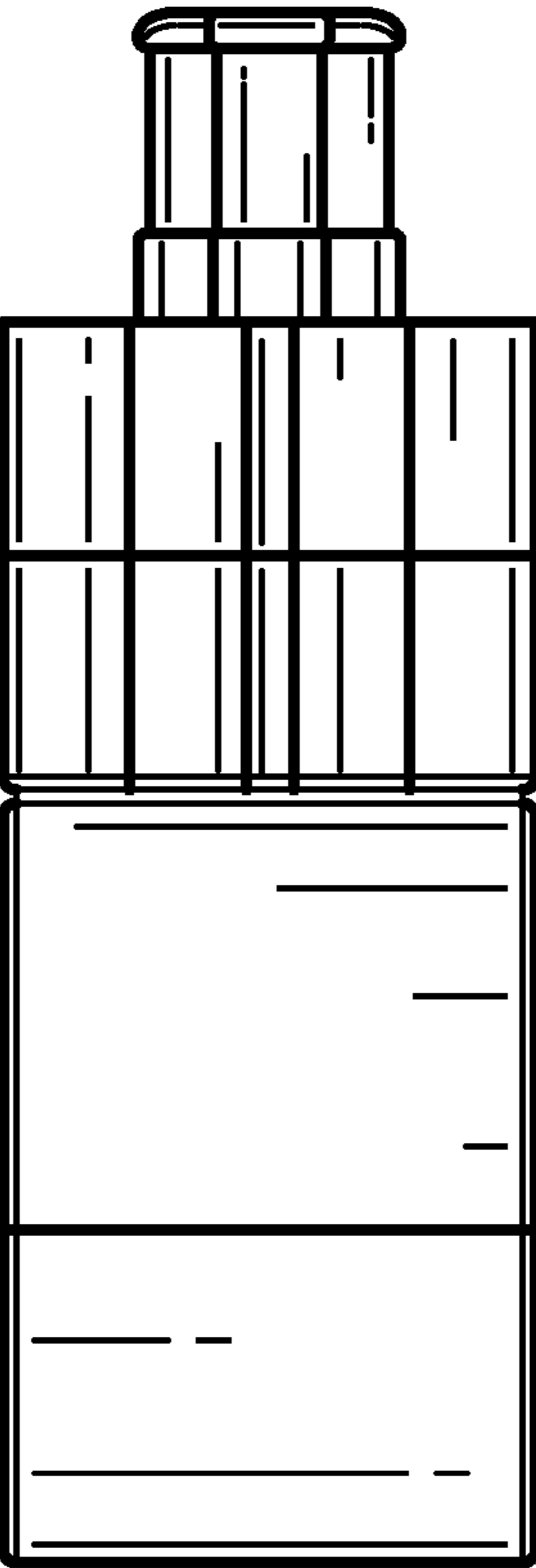


FIG. 6

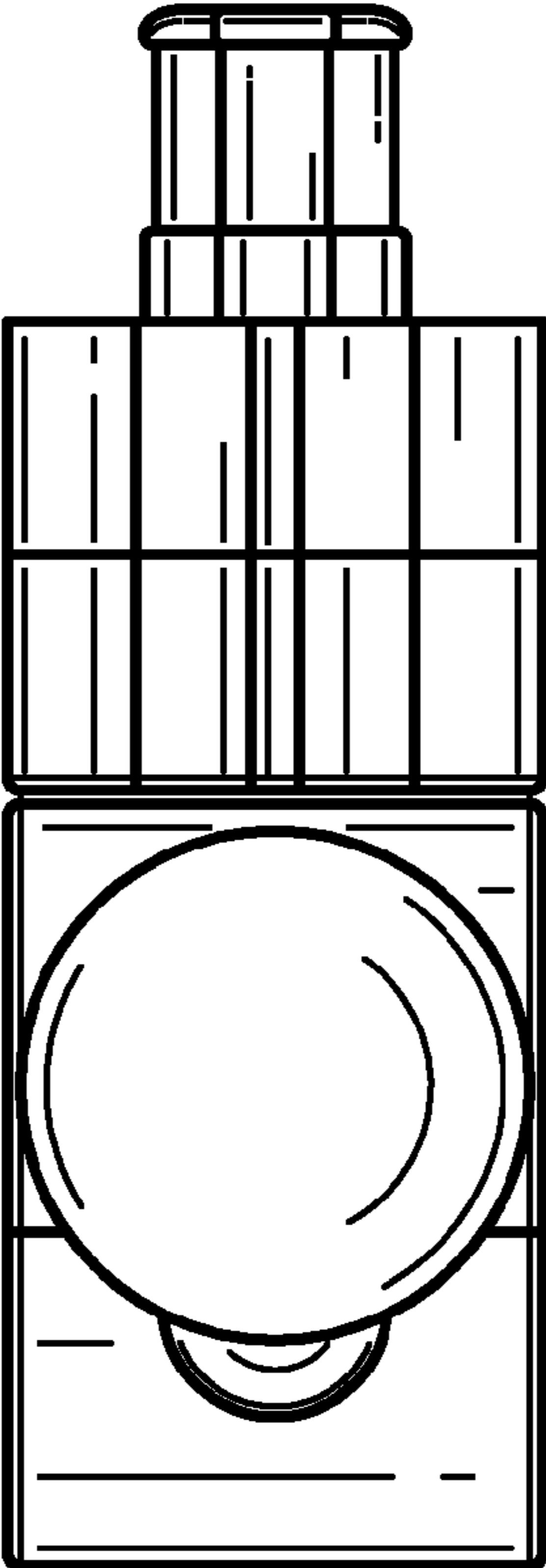


FIG. 7