



US00D673421S

(12) **United States Design Patent**
Chiu et al.

(10) **Patent No.:** **US D673,421 S**
(45) **Date of Patent:** **** Jan. 1, 2013**

(54) **BEVERAGE CONTAINER**

(75) Inventors: **Jeffrey Chiu**, Woodbridge, IL (US);
David Starr, Woodridge, IL (US);
Stephanie Guttas, Woodridge, IL (US)

(73) Assignee: **Wilton Industries, Inc.**, Woodridge, IL (US)

(**) Term: **14 Years**

(21) Appl. No.: **29/399,208**

(22) Filed: **Aug. 10, 2011**

(51) **LOC (9) Cl.** **07-99**

(52) **U.S. Cl.** **D7/396.2; D7/511**

(58) **Field of Classification Search** D7/510,
D7/511, 536, 532, 531, 509; D9/551, 529;
215/121, 382, 387; 220/674, 715, 713, 718,
220/592.16, 592.17, 709, 708

See application file for complete search history.

(56) **References Cited**

U.S. PATENT DOCUMENTS

D199,579 S *	11/1964	Davis	D7/530
D488,672 S *	4/2004	Oas	D7/507
D510,679 S *	10/2005	Smith et al.	D7/396.2
D581,738 S *	12/2008	Bodum	D7/523
D613,554 S *	4/2010	Koennecke	D7/509
D640,094 S *	6/2011	Carlson et al.	D7/510
D648,985 S *	11/2011	Chiu et al.	D7/510
D652,681 S *	1/2012	Monugian	D7/510
D655,982 S *	3/2012	Liu	D7/509

OTHER PUBLICATIONS

To-Go Tumbler 16 oz., (Item No. 10-01205-002), Aladdin ShopAladdin-pmi.com, 1 page.

To-Go Tumbler 16 oz., "Take me with you." (Item No. 10-01205-002), Aladdin ShopAladdin-pmi.com, 1 page.

Cool Gear Tumbler, 1 page.

Starbucks Clear Tumbler, 1 page.

* cited by examiner

Primary Examiner — Robert M Spear

Assistant Examiner — Janice Hallmark

(74) *Attorney, Agent, or Firm* — Foley & Lardner LLP

(57) **CLAIM**

We claim the ornamental design for a beverage container, as shown and described.

DESCRIPTION

FIG. 1 is a perspective front view of the beverage container showing our new design;

FIG. 2 is a first side view of the design embodiment shown in FIG. 1;

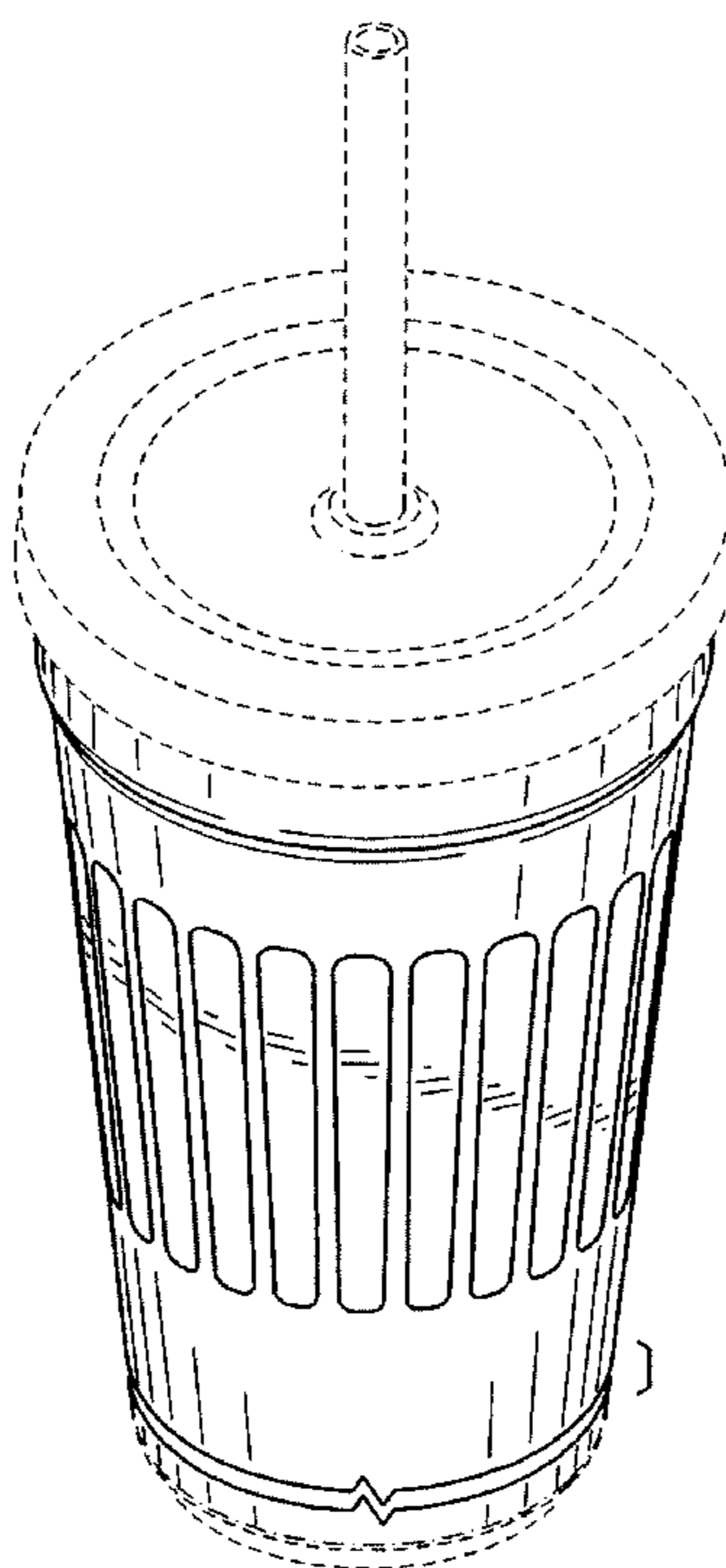
FIG. 3 is a second side view of the design embodiment shown in FIG. 1;

FIG. 4 is a top view of the design embodiment shown in FIG. 1; and,

FIG. 5 is a bottom view of the design embodiment shown in FIG. 1.

The broken lines in the drawings represent unclaimed environmental subject matter. The broken away symbols in the drawings indicate that any portion of the article beyond what is shown forms no part of the claimed design.

1 Claim, 4 Drawing Sheets



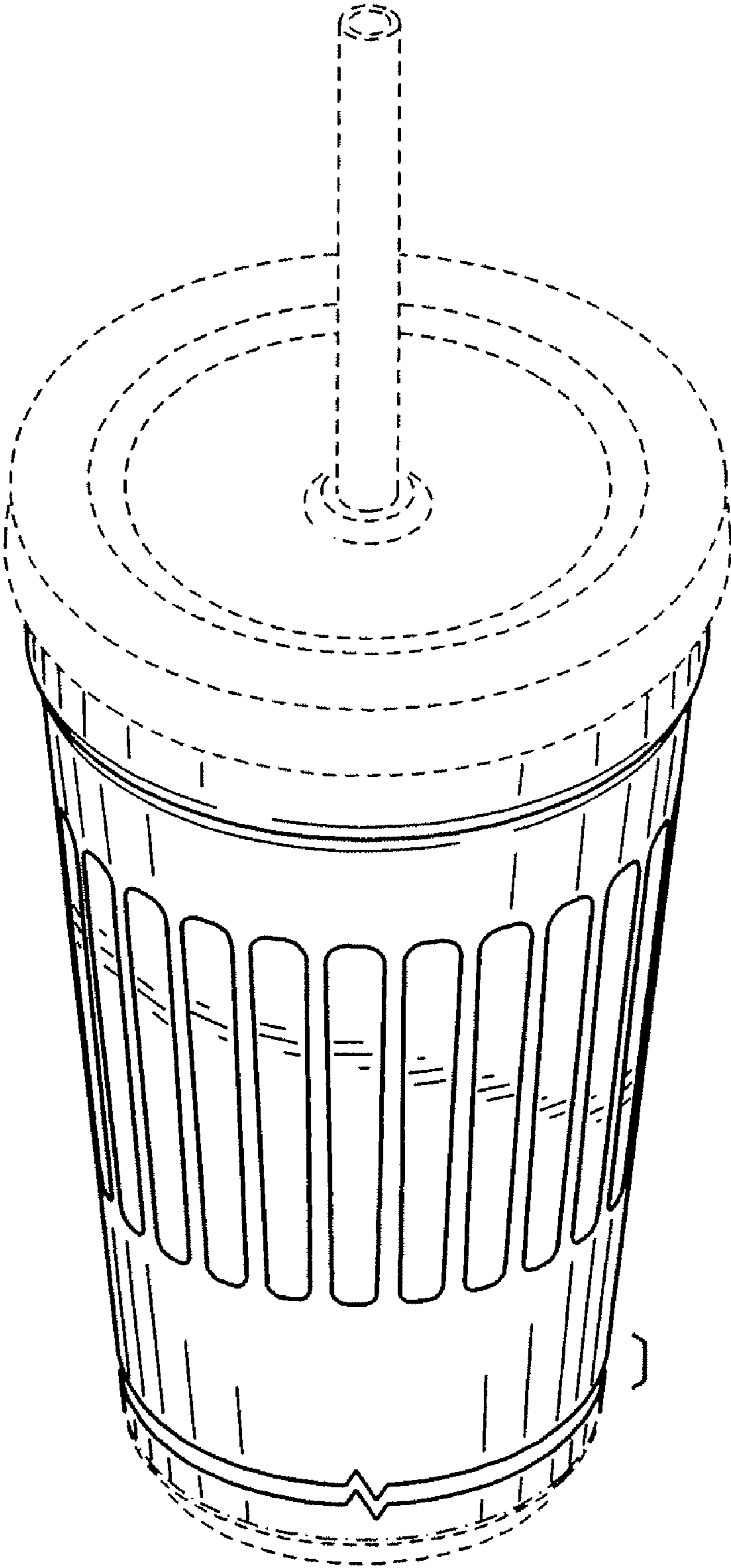


FIG. 1

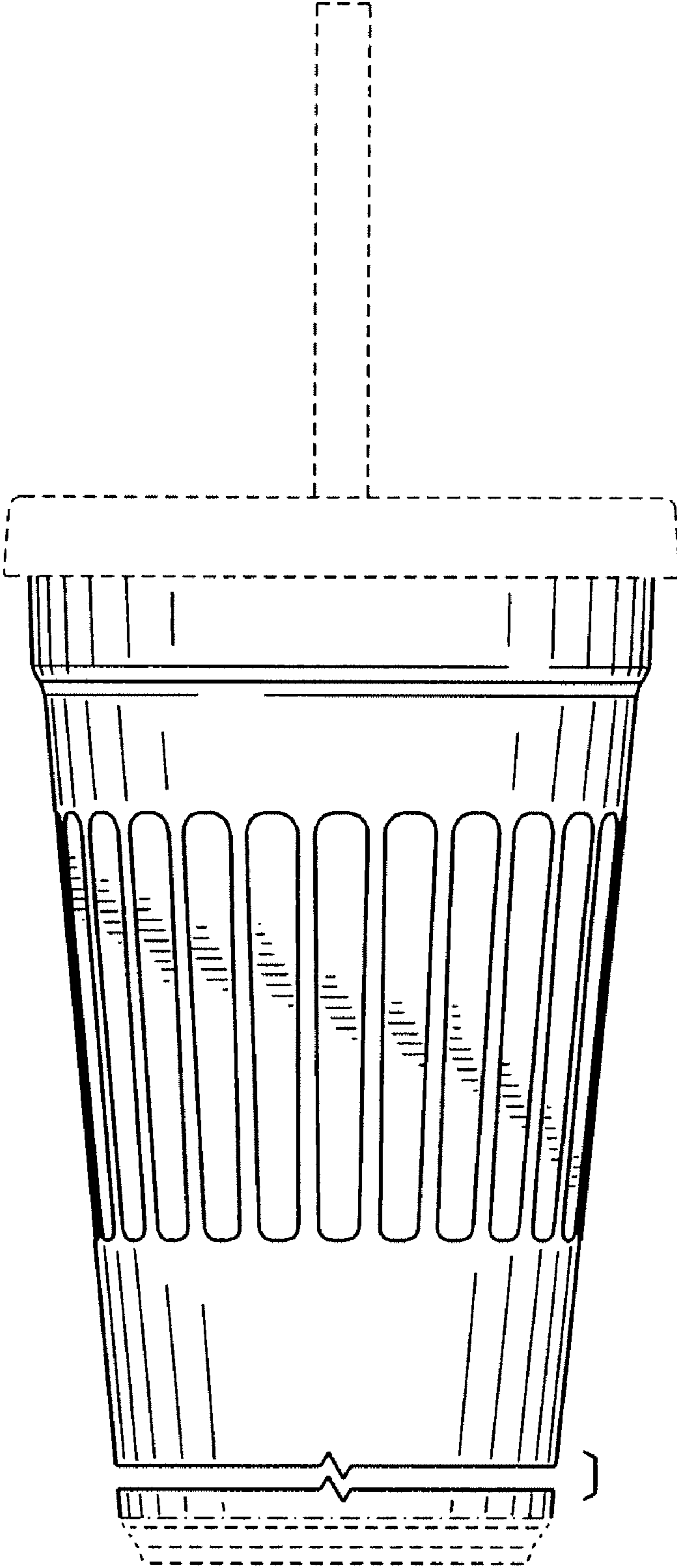


FIG. 2

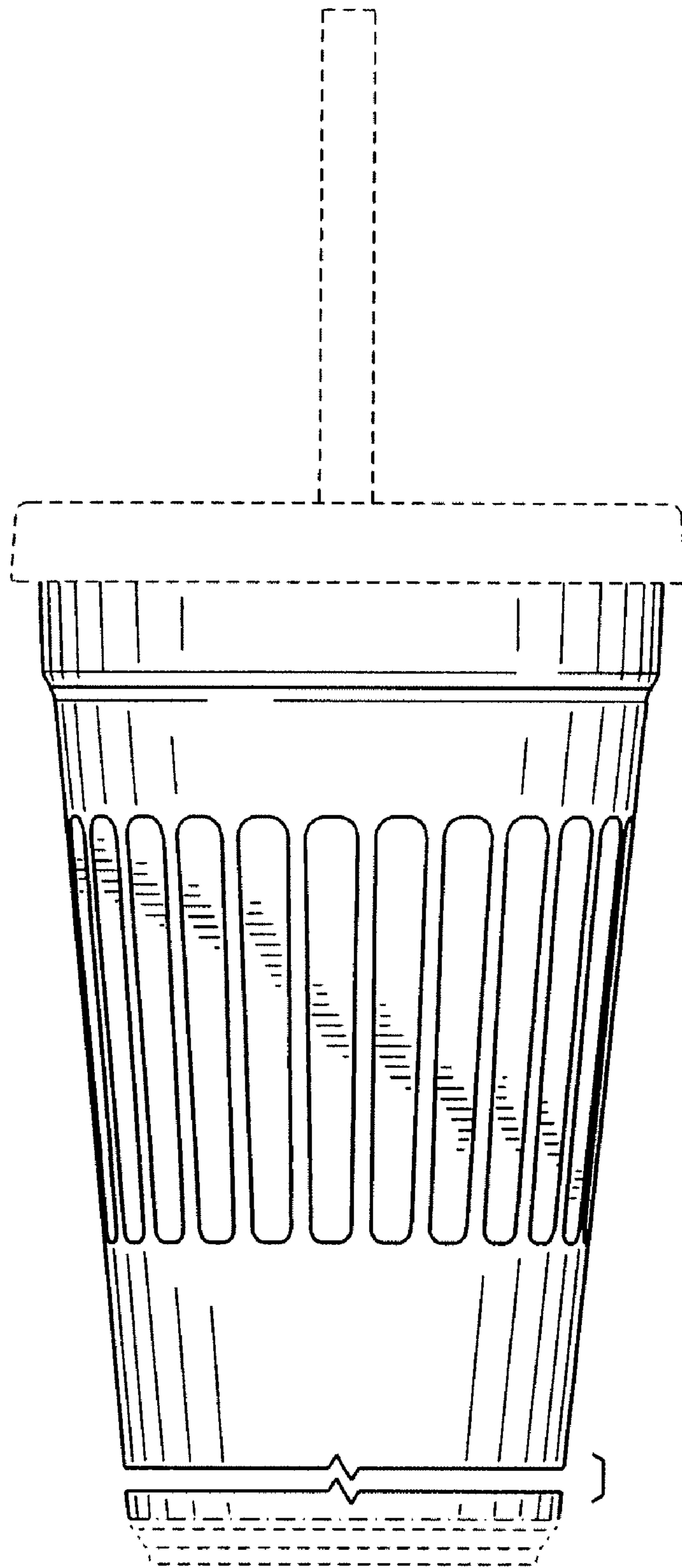


FIG. 3

FIG. 4

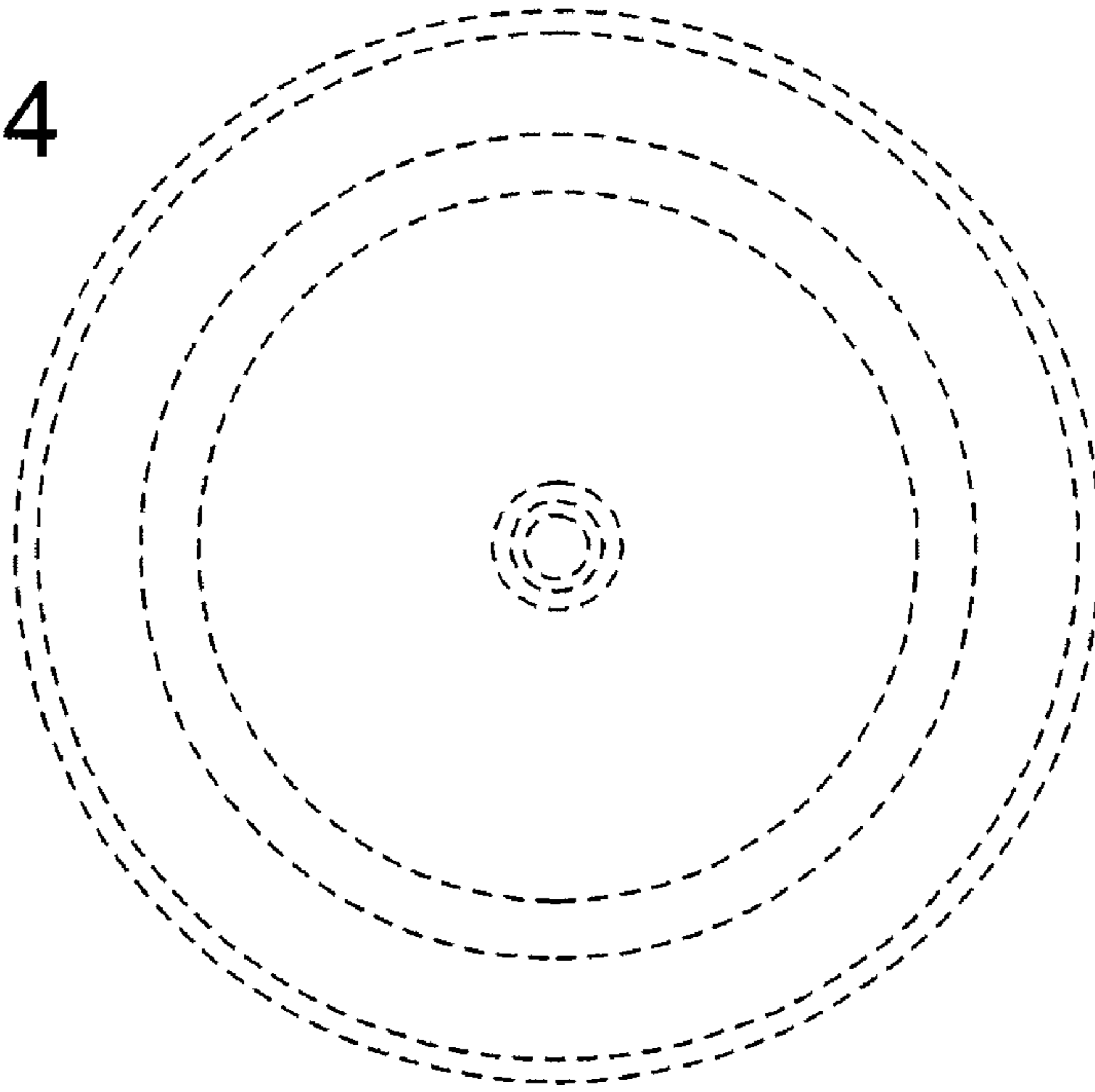


FIG. 5

