



US00D673420S

(12) **United States Design Patent**
Imo

(10) **Patent No.:** **US D673,420 S**
(45) **Date of Patent:** **** Jan. 1, 2013**

(54) **DRINK COVER**

(76) Inventor: **John Imo**, Monroe, MI (US)

(**) Term: **14 Years**

(21) Appl. No.: **29/367,068**

(22) Filed: **Aug. 3, 2010**

(51) **LOC (9) Cl.** **07-02**

(52) **U.S. Cl.** **D7/392.1**

(58) **Field of Classification Search** D7/391,
D7/392, 392.1, 396.2; D9/445, 447; D21/698;
D10/113.2; 215/11.1, 11.6, 319; 116/63 C,
116/63 R

See application file for complete search history.

(56) **References Cited**

U.S. PATENT DOCUMENTS

1,163,805	A *	12/1915	Brown et al.	215/319
1,716,262	A *	6/1929	Dishart	215/11.6
D179,333	S *	11/1956	Tupper	D9/447
2,816,548	A *	12/1957	Tupper	215/11.1
3,496,904	A *	2/1970	Rimkus	116/63 R
4,256,050	A *	3/1981	Barnard	116/63 C
D327,231	S *	6/1992	Mazzola	D10/113.2
D327,817	S	7/1992	Paullin		
D378,197	S	2/1997	Leverette et al.		
5,715,961	A *	2/1998	Robertson	215/319
D419,449	S	1/2000	Adams		
6,338,311	B1 *	1/2002	Ho	116/63 C
D474,938	S	5/2003	Malik		
D497,282	S *	10/2004	Kelly et al.	D7/392.1
D497,512	S *	10/2004	Randolph	D7/392.1
D507,181	S	7/2005	Malik		
D513,988	S	1/2006	Malik		
D569,076	S *	5/2008	Lebrand	D1/105
7,490,629	B2 *	2/2009	Williams et al.	138/89
D597,432	S *	8/2009	Auberger	D10/113.2
7,608,032	B2	10/2009	Robertson et al.		
7,694,837	B2	4/2010	Robertson et al.		

D617,402	S *	6/2010	Fuccillo et al.	D21/698
D624,412	S *	9/2010	Jenkins	D9/445
D627,595	S *	11/2010	Jennings	D7/392.1
D653,076	S *	1/2012	Melzer	D7/392.1
2004/0124170	A1 *	7/2004	Sherrod	215/319
2006/0144730	A1	7/2006	Greenberg		
2008/0072412	A1	3/2008	Solazzi		
2008/0302794	A1	12/2008	Wagner et al.		
2008/0314858	A1	12/2008	Twohig et al.		

* cited by examiner

Primary Examiner — Cynthia M Chin

(74) *Attorney, Agent, or Firm* — Young, Basile, Hanlon & MacFarlane, PC

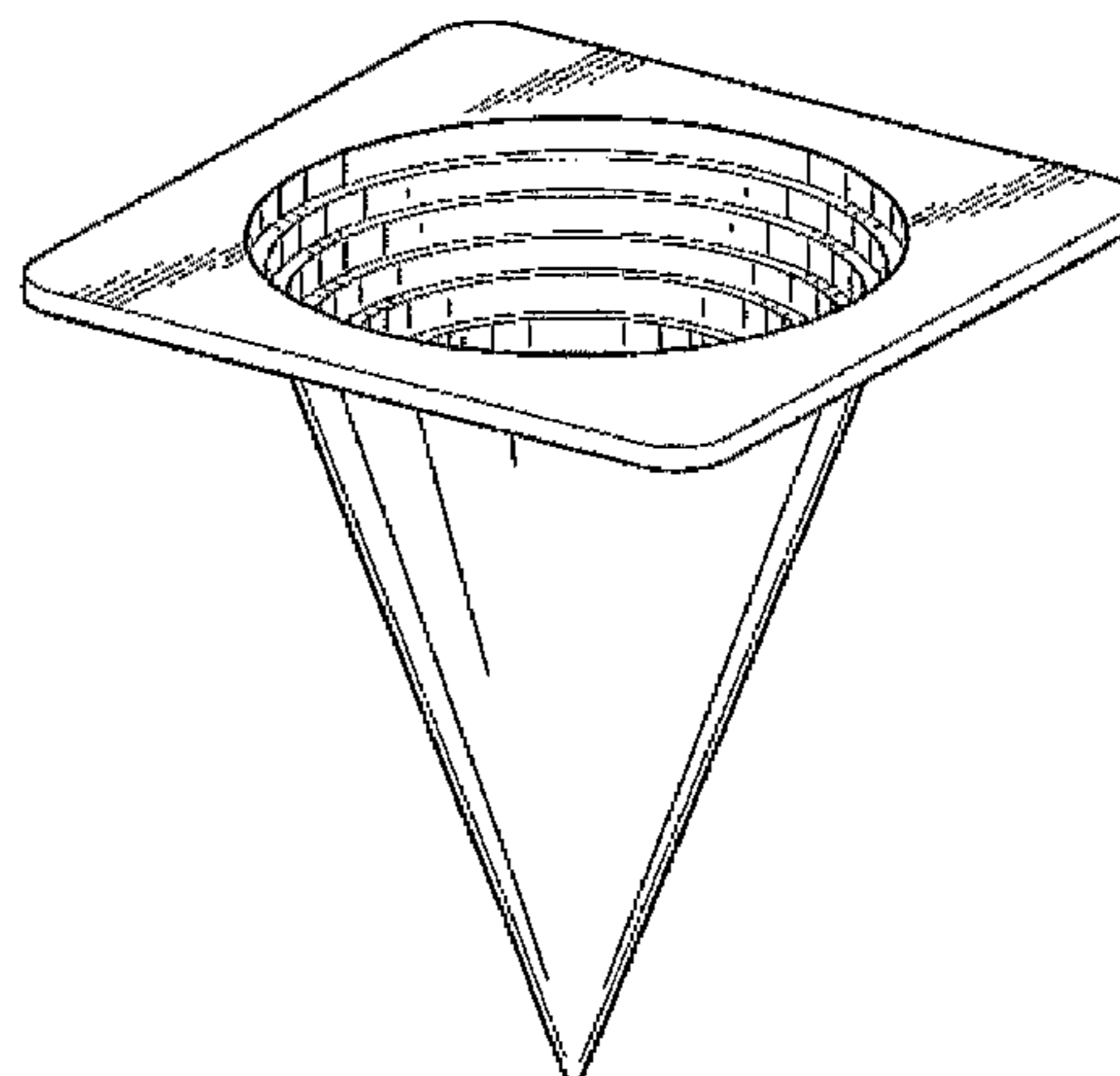
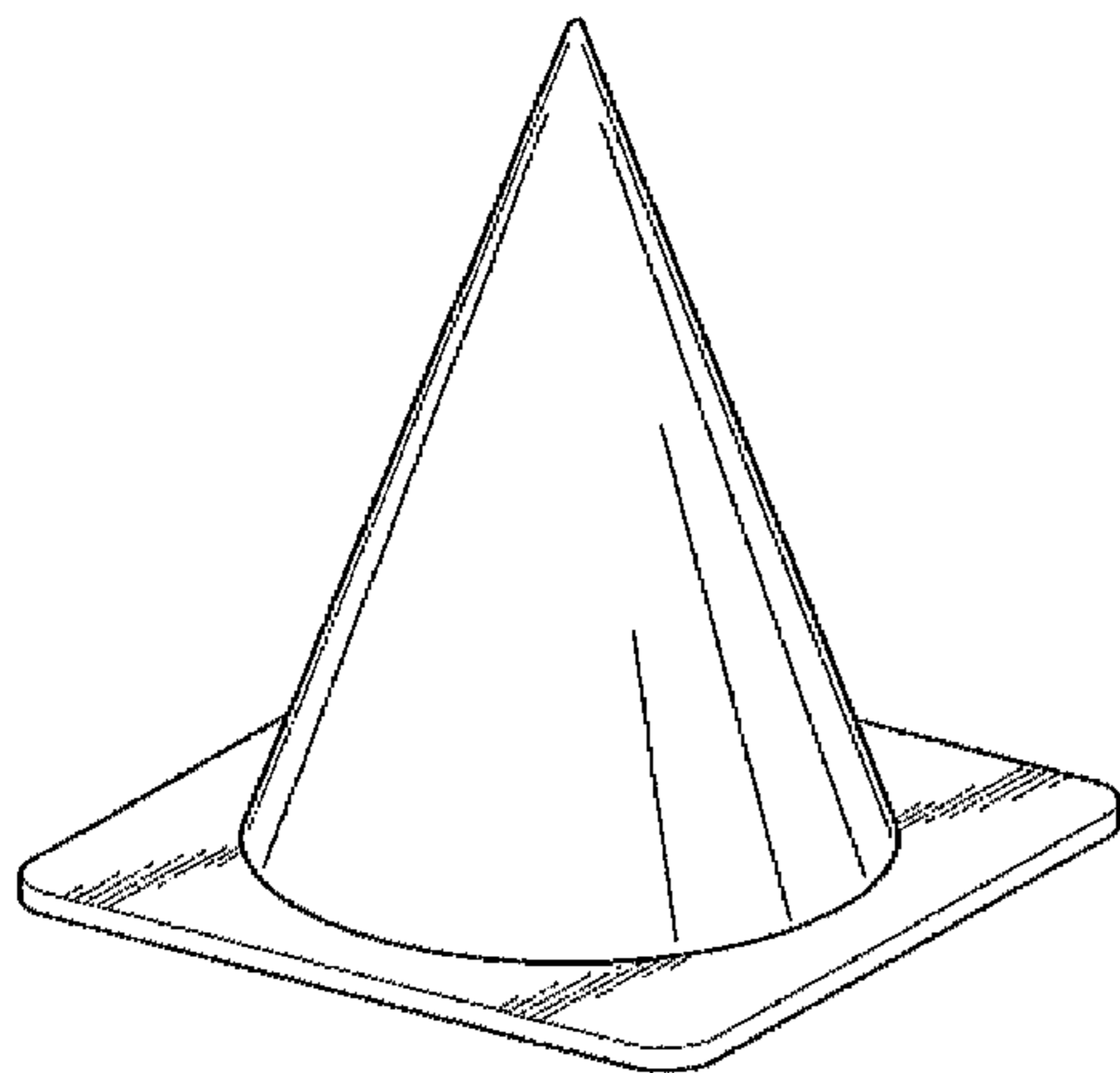
(57) **CLAIM**

The ornamental design for a drink cover, as shown and described.

DESCRIPTION

FIG. 1 is a front elevational view showing my new design, the rear side elevational view, left side elevational view and right side elevational views all being identical;
 FIG. 2 is a plan view thereof;
 FIG. 3 is a bottom elevational view thereof;
 FIG. 4 is a top perspective view thereof;
 FIG. 5 is a bottom perspective view thereof;
 FIG. 6 is a cross-sectional view taken from line 6-6 in FIG. 1, showing the drink cover mounted on a mug;
 FIG. 7 is another cross-sectional view thereof, showing the drink cover mounted on a wine/martini glass;
 FIG. 8 is another cross-sectional view thereof, the drink cover mounted on a bottle; and
 FIG. 9 is another cross-sectional view thereof, the drink cover mounted on a beverage glass.
 The broken lines represent the environment in which the article is used and forms no part of the claim.

1 Claim, 4 Drawing Sheets



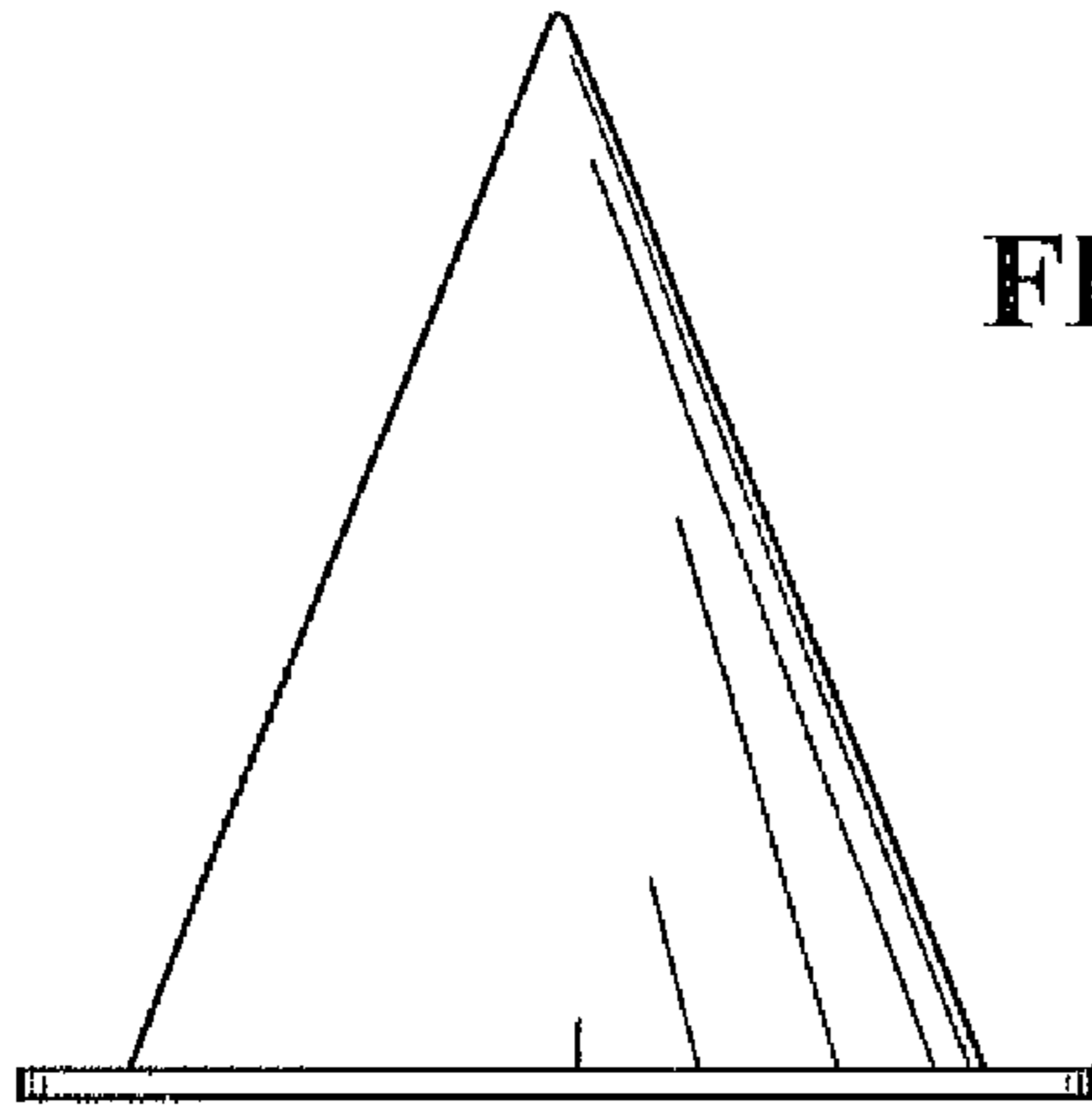


FIG. 1

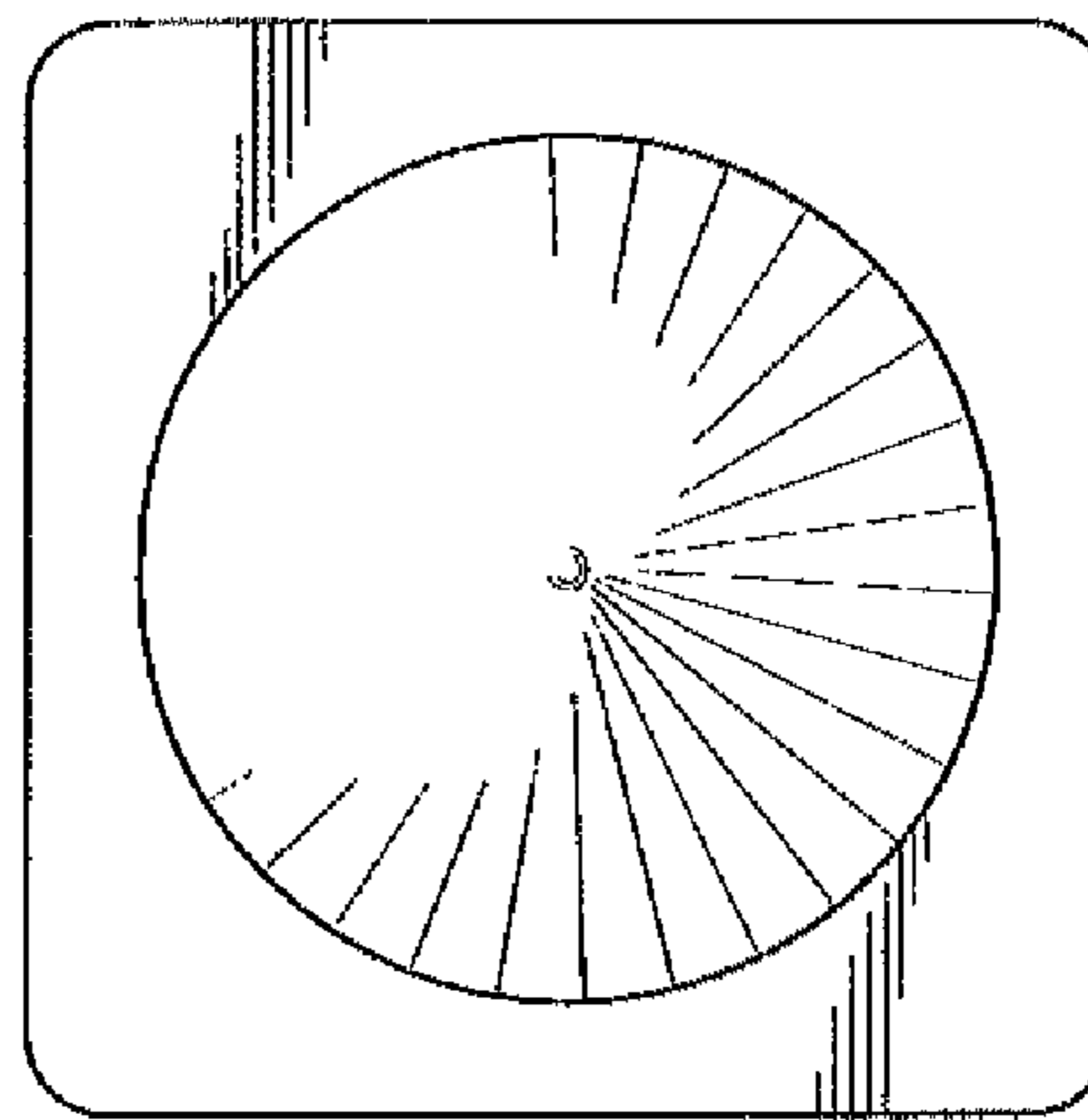


FIG. 2

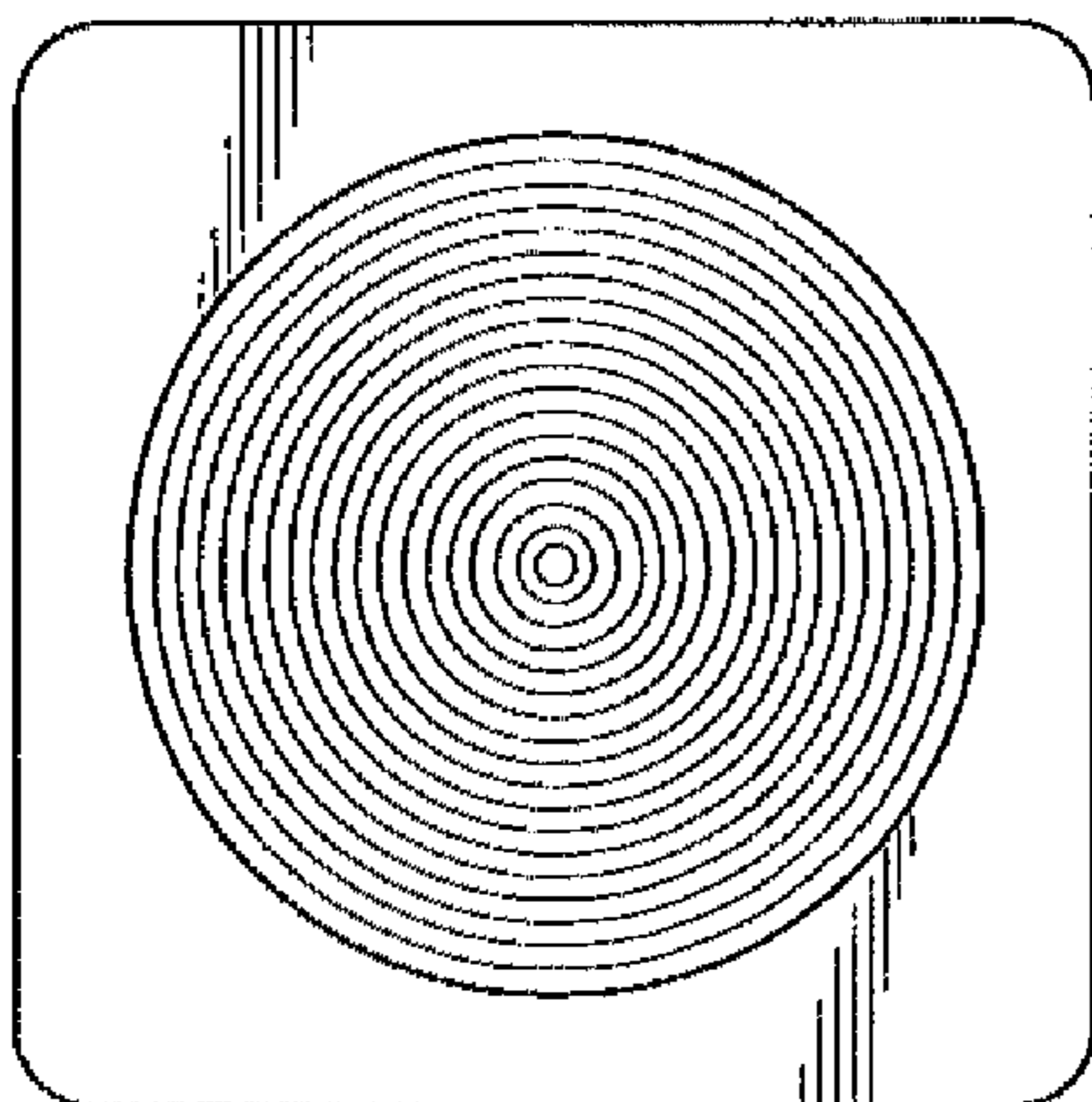


FIG. 3

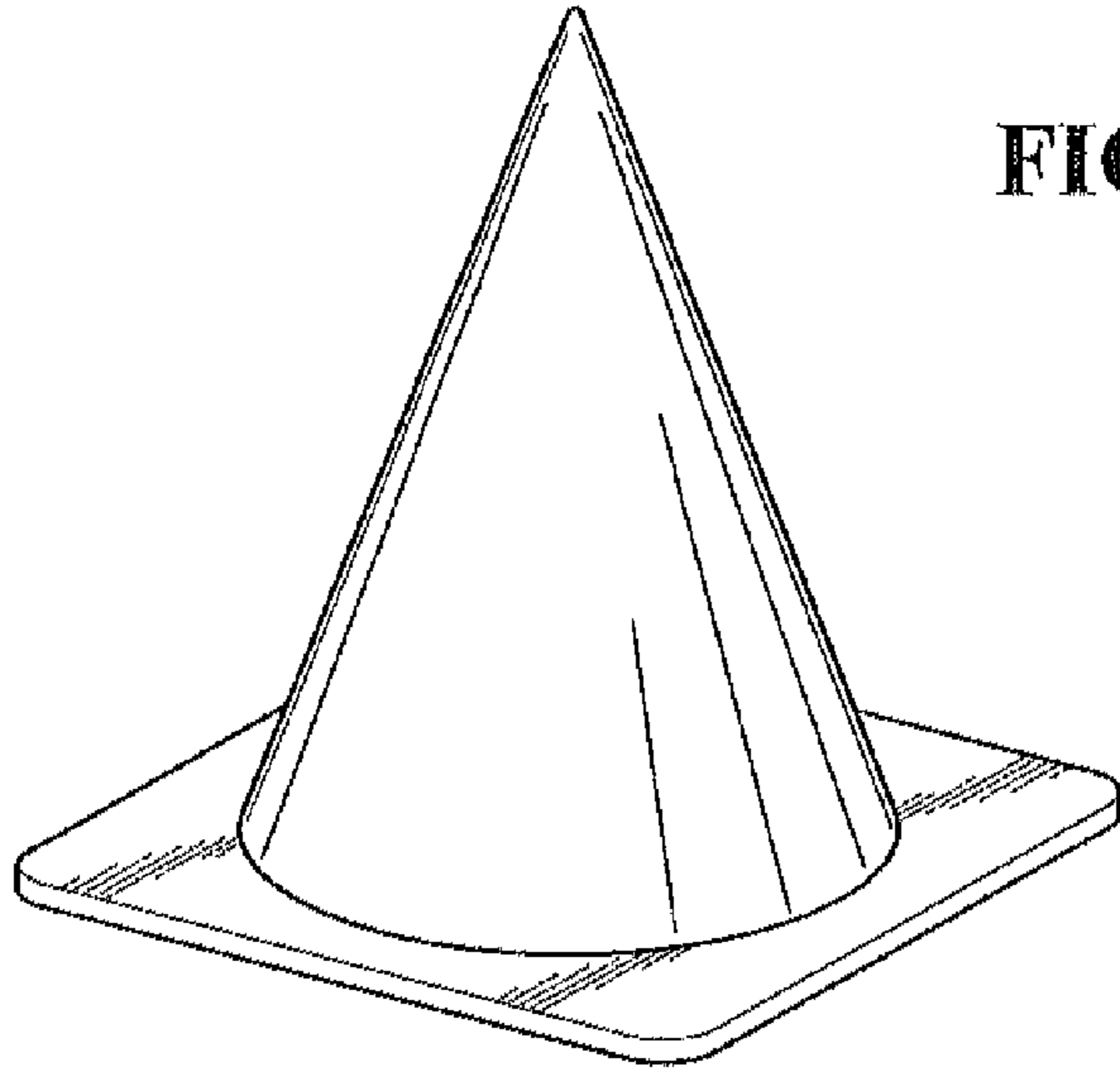


FIG. 4

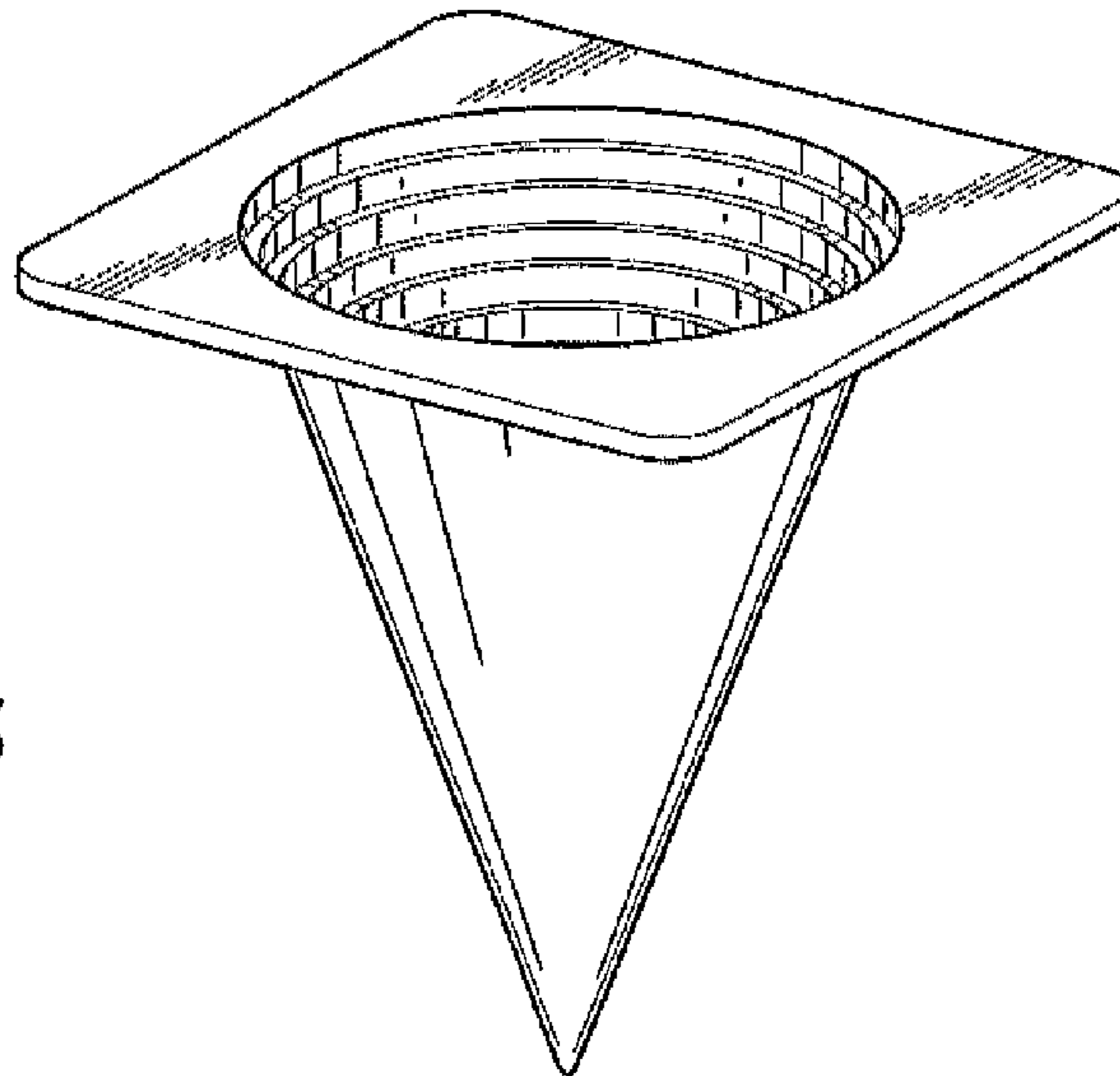
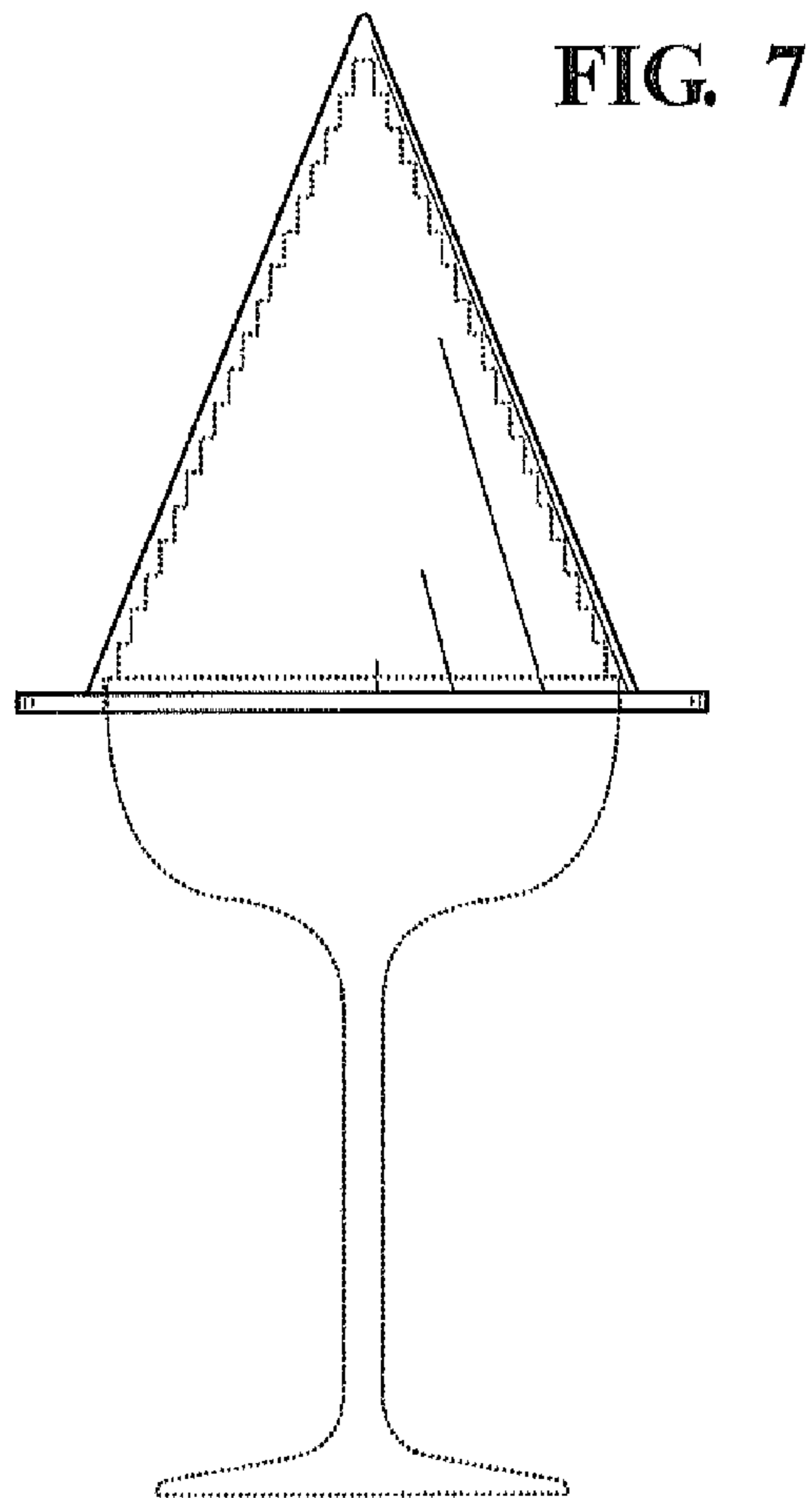
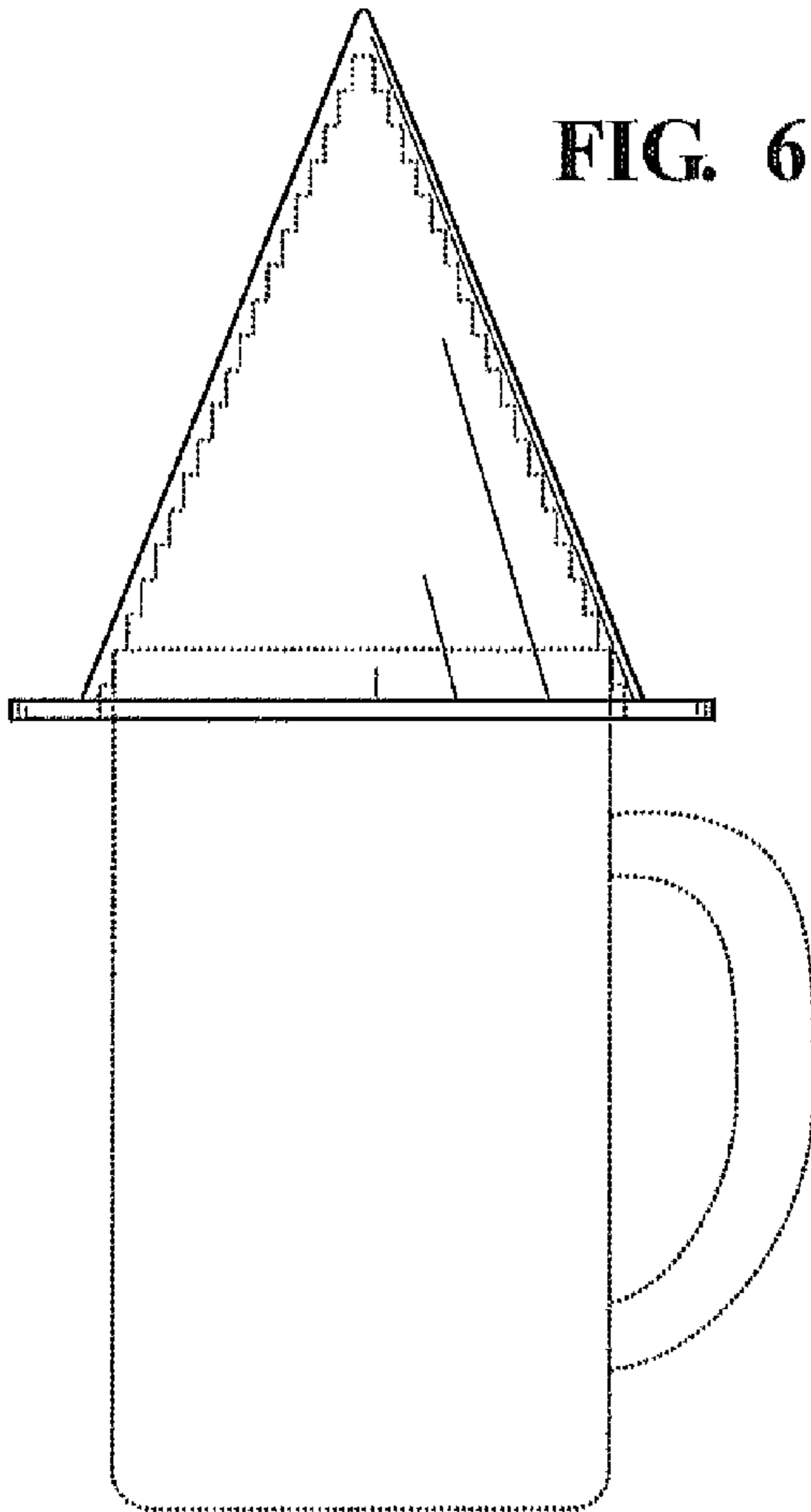


FIG. 5



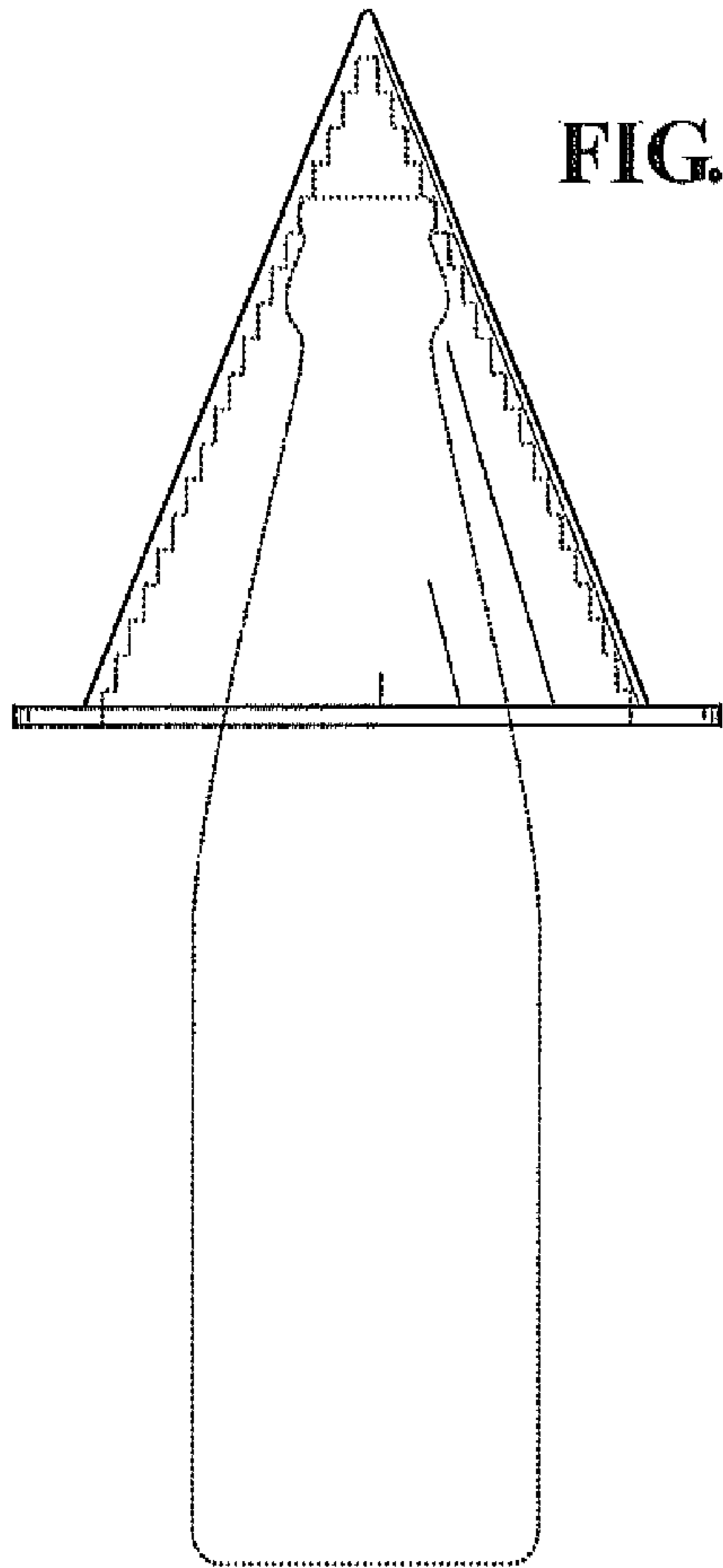


FIG. 8

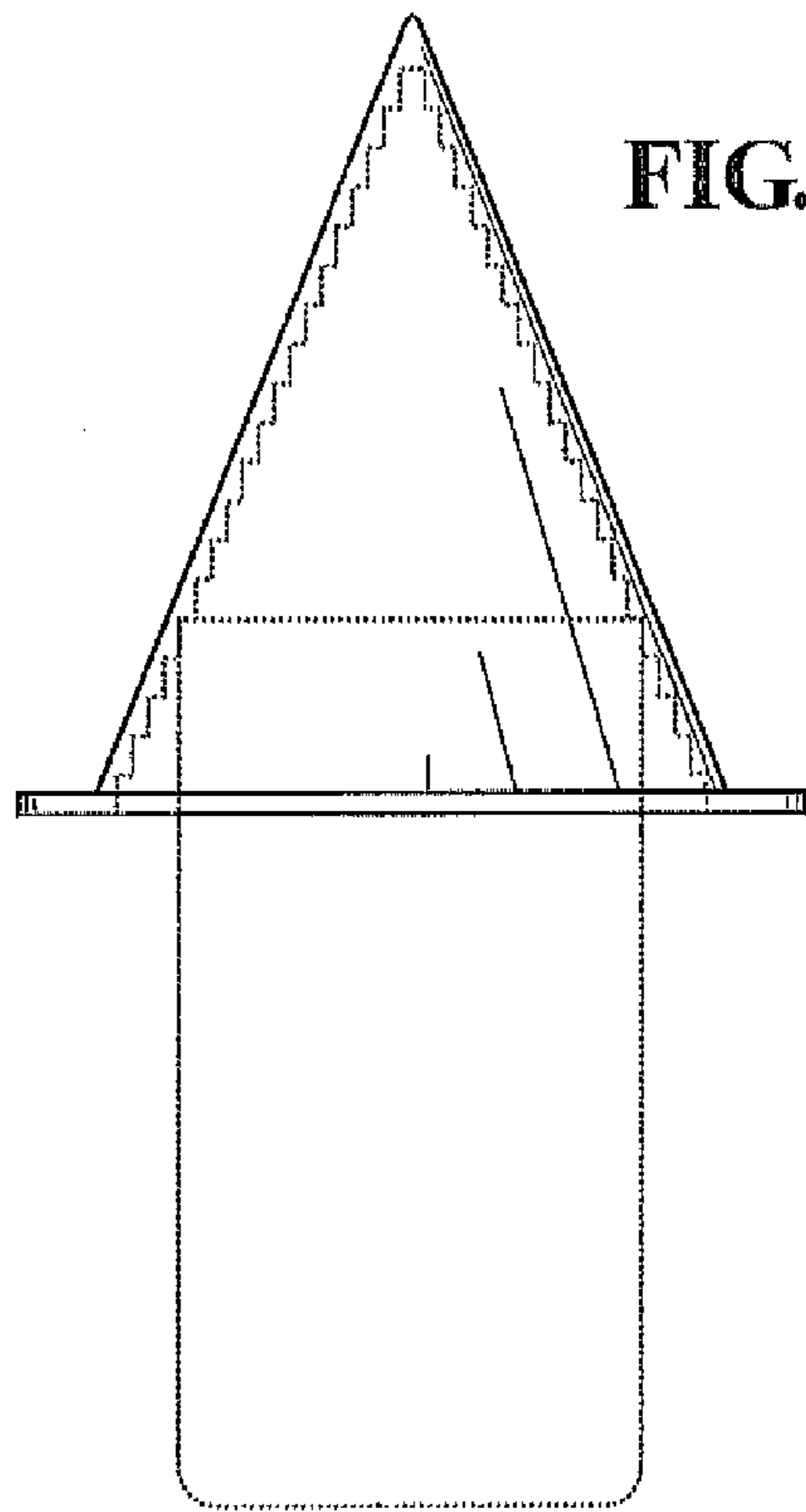


FIG. 9