



US00D673417S

(12) **United States Design Patent**
Lee

(10) **Patent No.:** **US D673,417 S**
(45) **Date of Patent:** **** Jan. 1, 2013**

(54) **MICROWAVE OVEN**

(75) Inventor: **Seonju Lee**, Seoul (KR)

(73) Assignee: **Samsung Electronics Co., Ltd.**,
Gyeonggi-do (KR)

(**) Term: **14 Years**

(21) Appl. No.: **29/415,160**

(22) Filed: **Mar. 8, 2012**

(51) **LOC (9) Cl.** **07-02**

(52) **U.S. Cl.** **D7/351**

(58) **Field of Classification Search** D7/350.1-350.4,
D7/351, 402, 405, 406; 219/756-758, 391;
126/19 M, 21 A, 275 E; 99/352
See application file for complete search history.

(56) **References Cited**

U.S. PATENT DOCUMENTS

D435,999	S	*	1/2001	Noda et al.	D7/351
D439,468	S	*	3/2001	Kim	D7/351
D442,820	S	*	5/2001	Kim	D7/351
D518,680	S	*	4/2006	Kim	D7/351
D531,447	S	*	11/2006	Lee et al.	D7/350.4
D532,645	S	*	11/2006	Lee	D7/351
D540,105	S	*	4/2007	Lee et al.	D7/351

D576,834	S	*	9/2008	Shin et al.	D7/351
D583,614	S	*	12/2008	Chung et al.	D7/351
D607,264	S	*	1/2010	Lee	D7/351
D631,688	S	*	2/2011	Kim et al.	D7/351
D632,125	S	*	2/2011	Kim et al.	D7/351
D657,186	S	*	4/2012	Ohmae et al.	D7/351

* cited by examiner

Primary Examiner — Ruth McInroy

(74) *Attorney, Agent, or Firm* — Harness, Dickey & Pierce

(57) **CLAIM**

I claim the ornamental design for a microwave oven, as shown and described.

DESCRIPTION

FIG. 1 is a top, front and right-side perspective view of a microwave oven showing our new design; FIG. 2 is a front elevational view thereof; FIG. 3 is a rear elevational view thereof; FIG. 4 is a left side elevational view thereof; FIG. 5 is a right side elevational view thereof; FIG. 6 is a top plan view thereof; and, FIG. 7 is a bottom plan view thereof. The details shown in broken lines form no part of the claimed design.

1 Claim, 4 Drawing Sheets

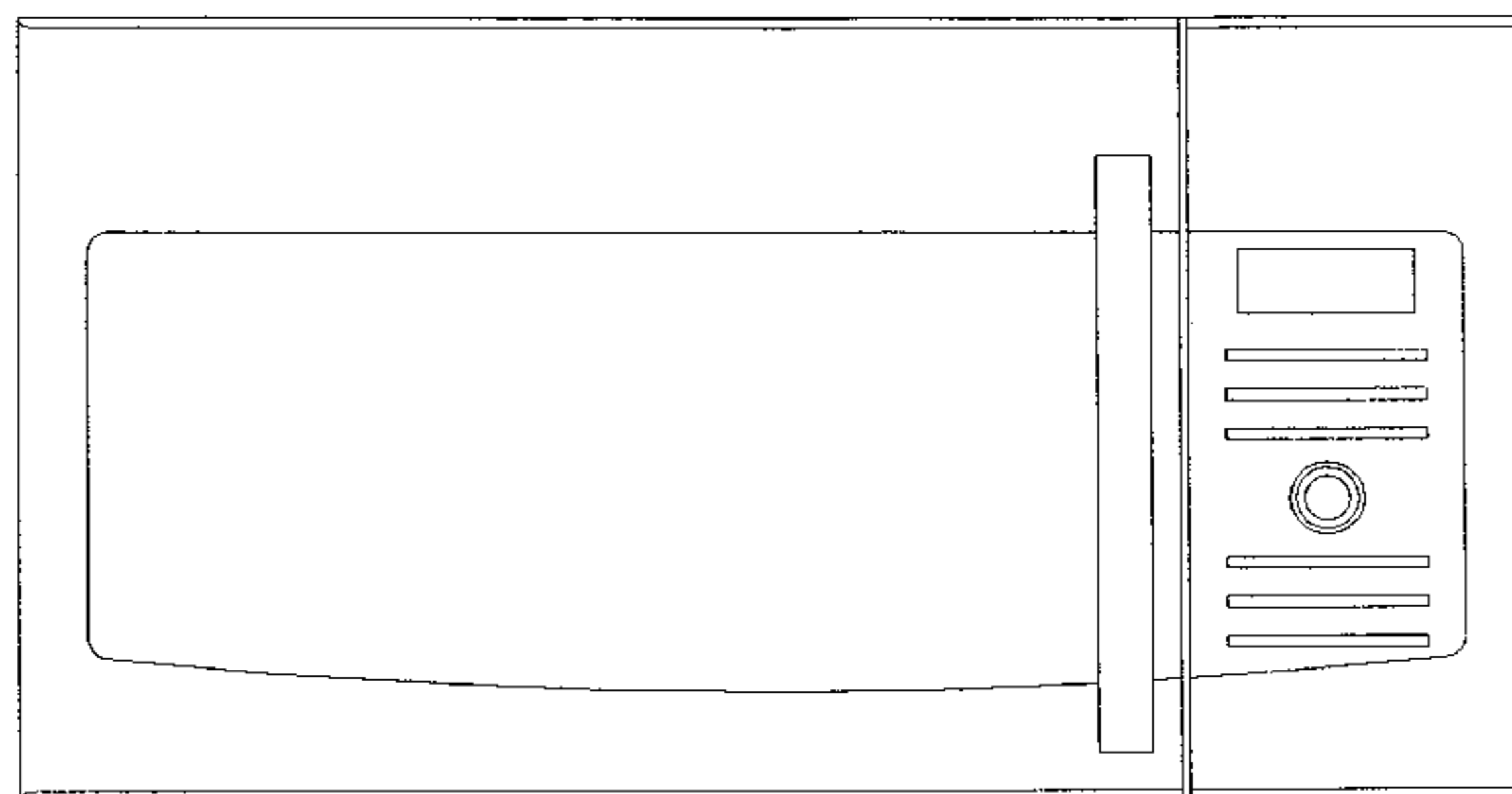
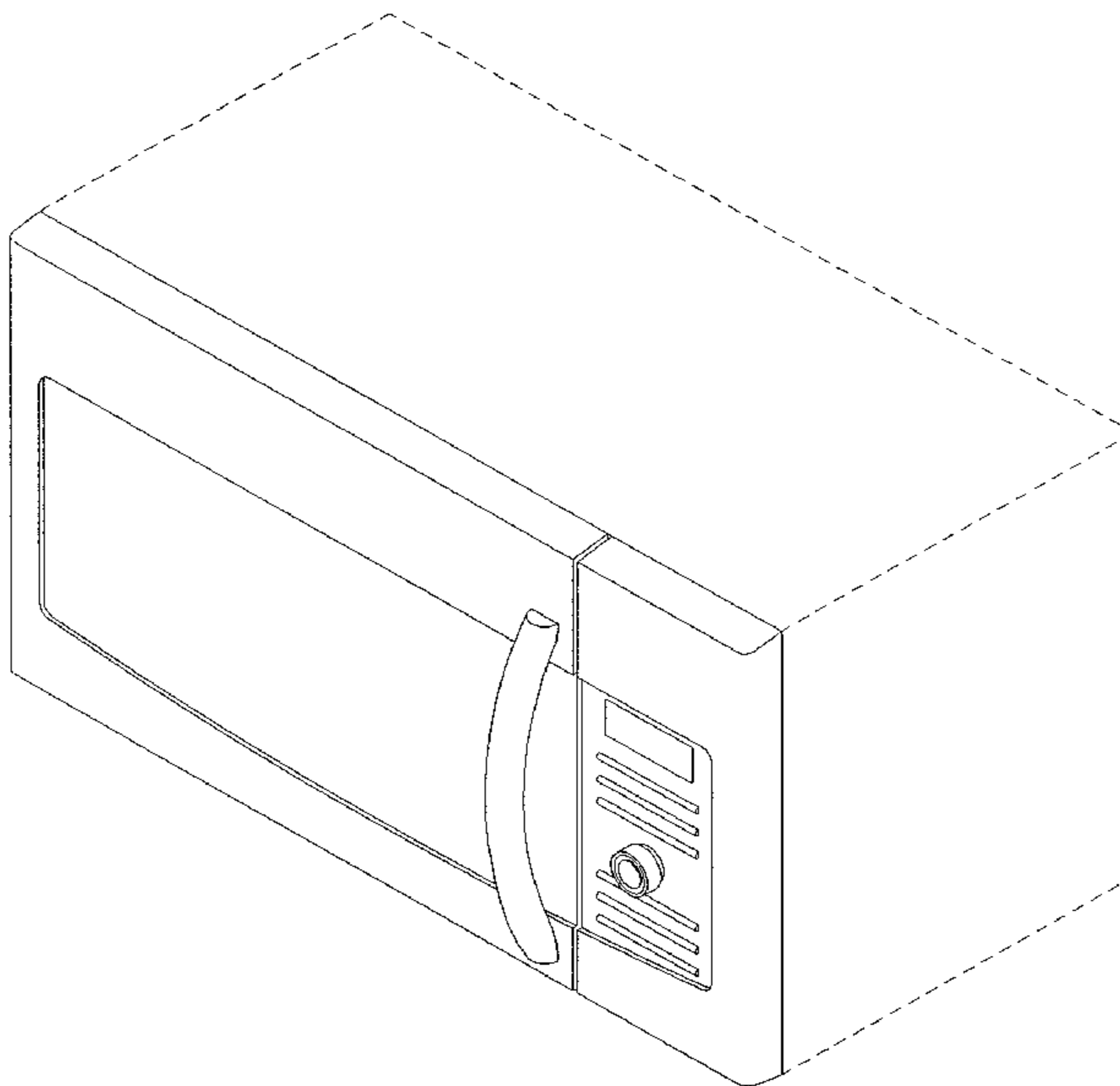


FIG. 1

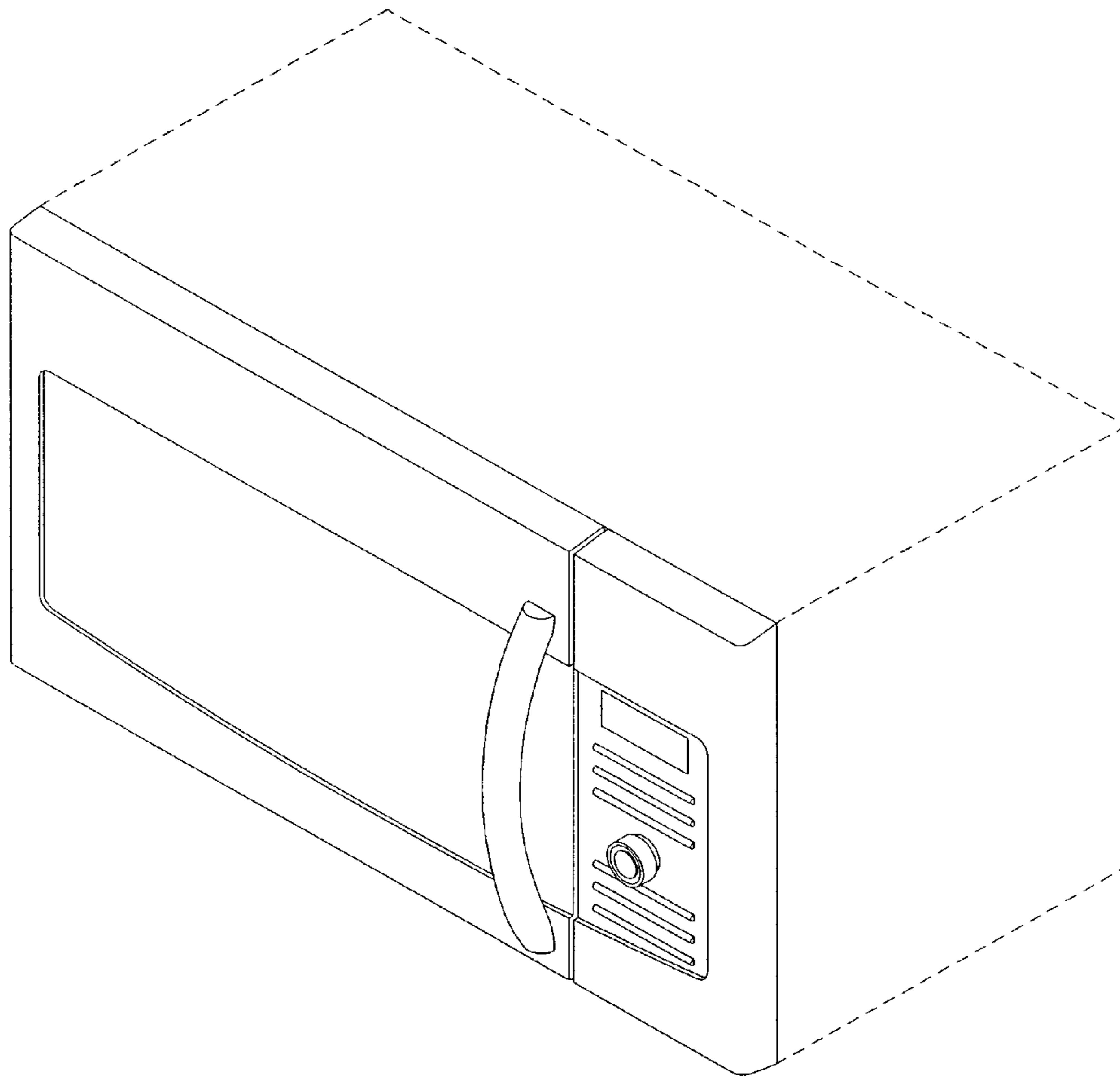


FIG. 2

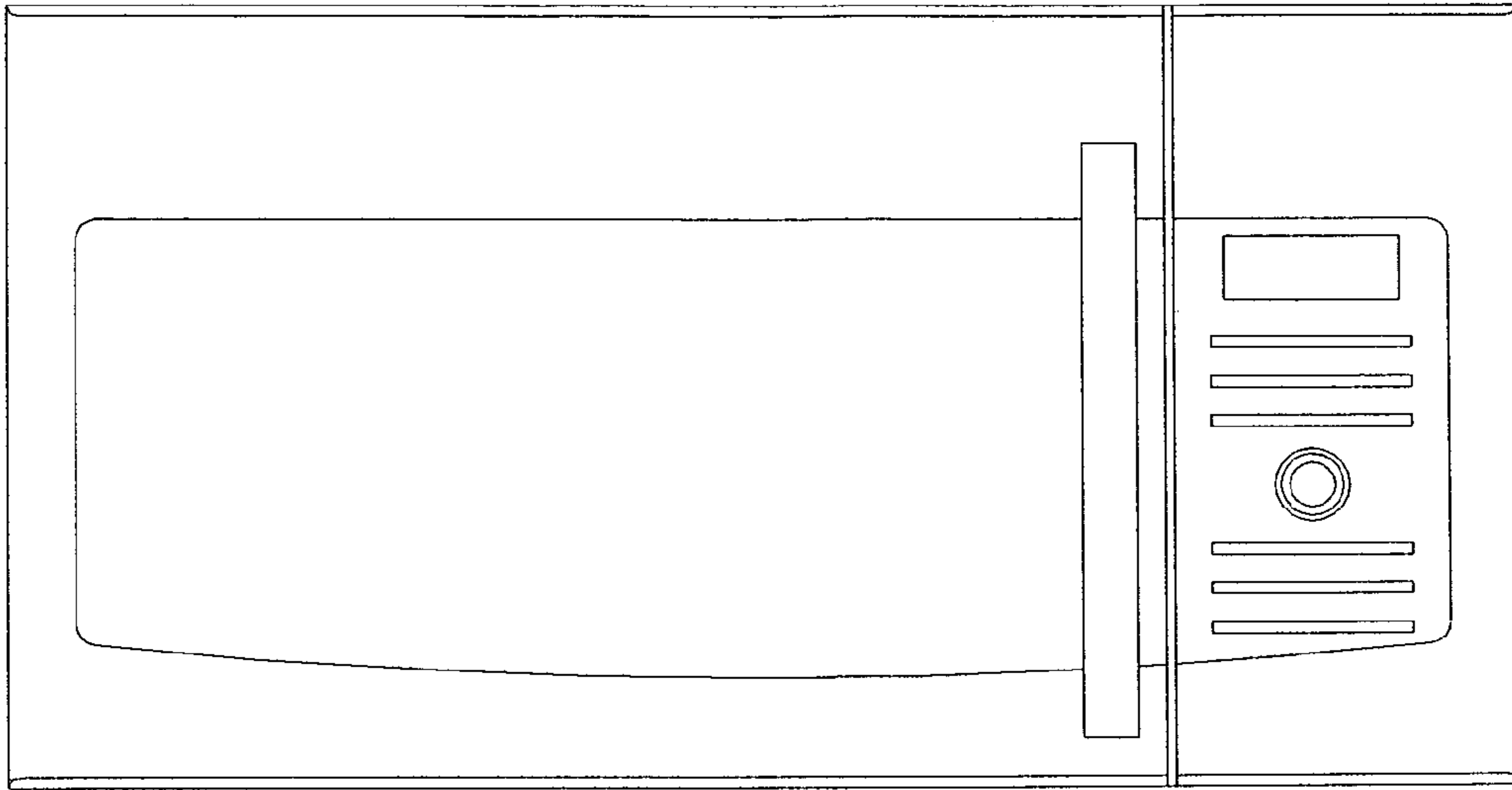


FIG. 3



FIG. 4

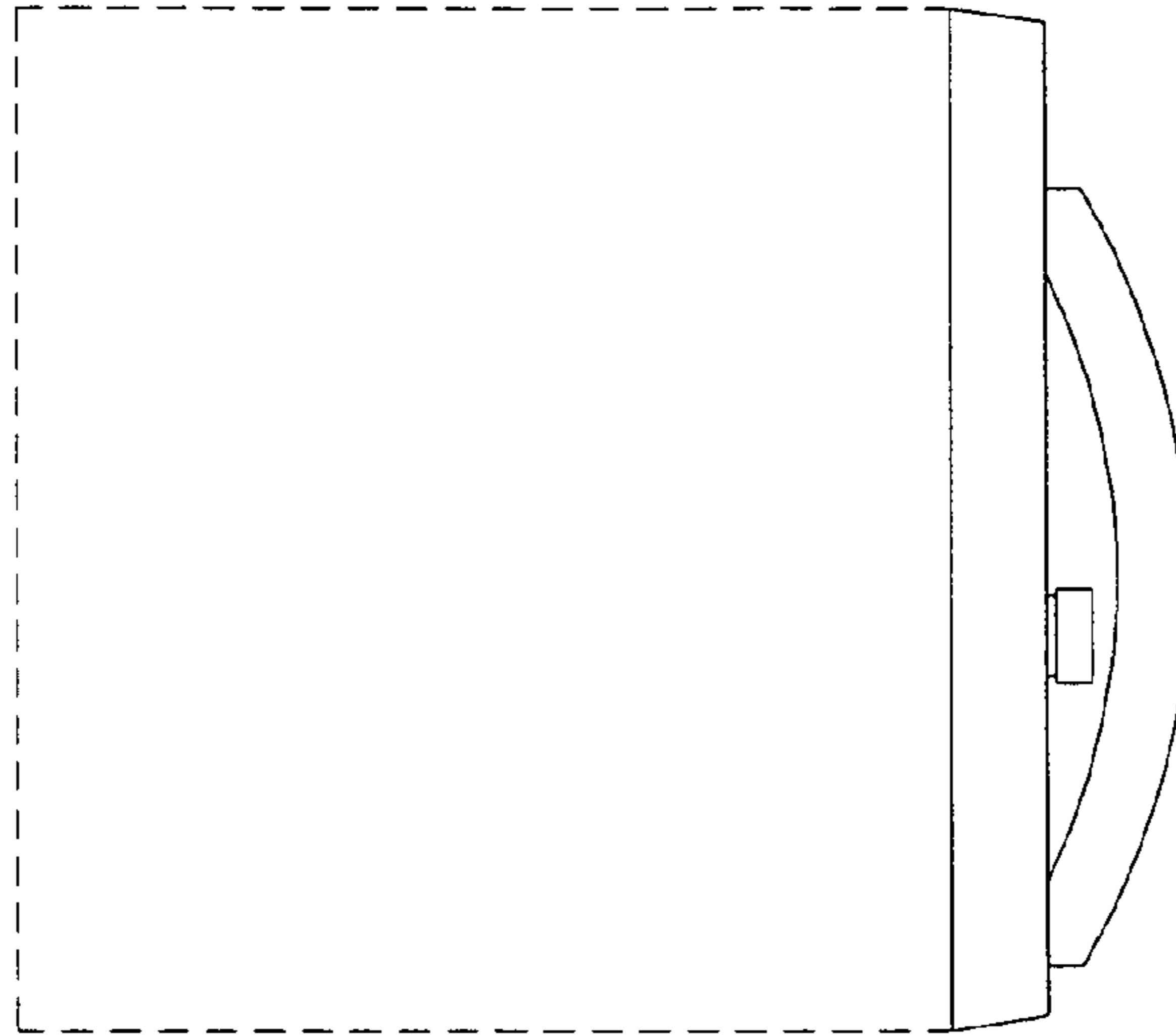


FIG. 5

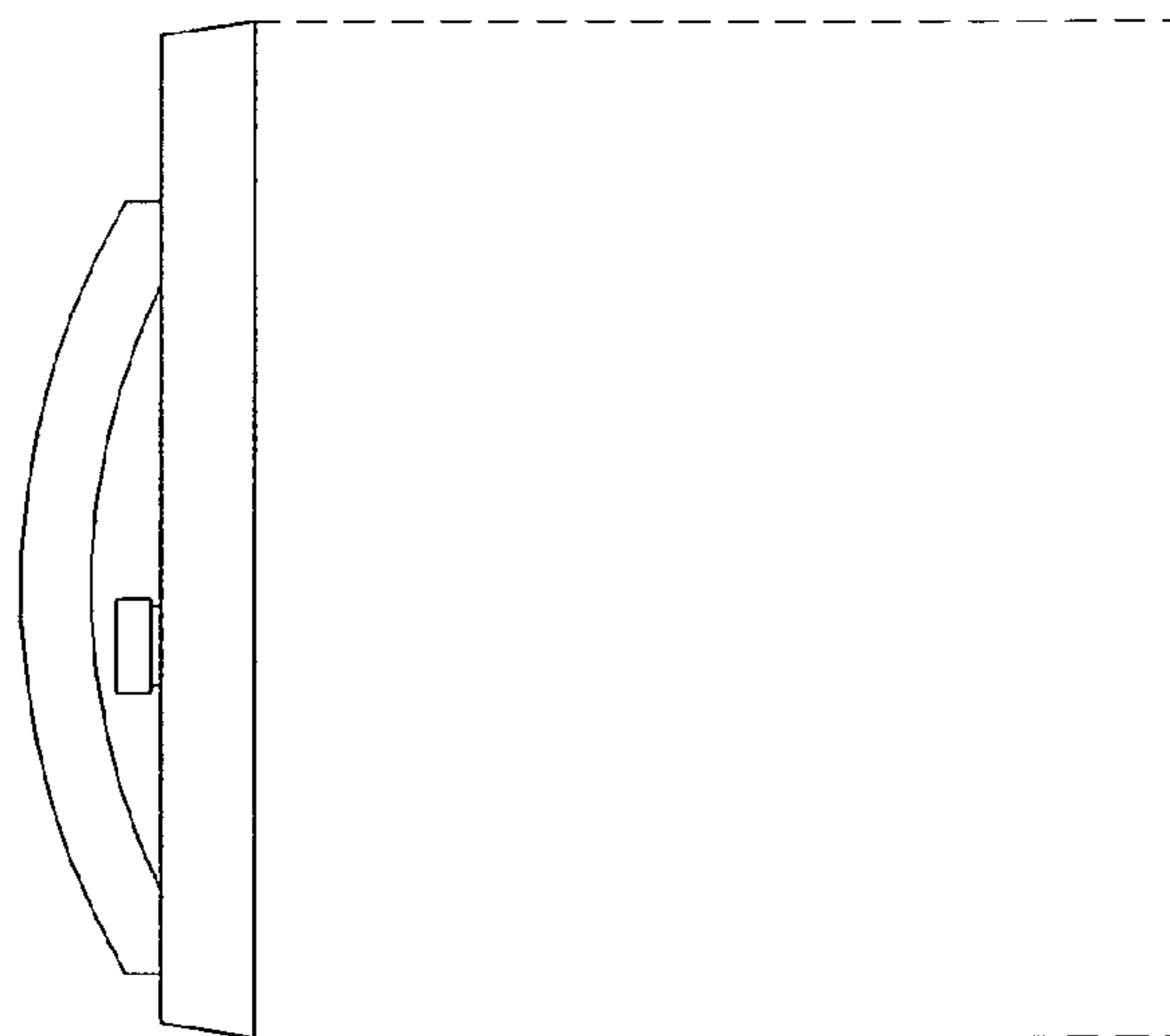


FIG. 6

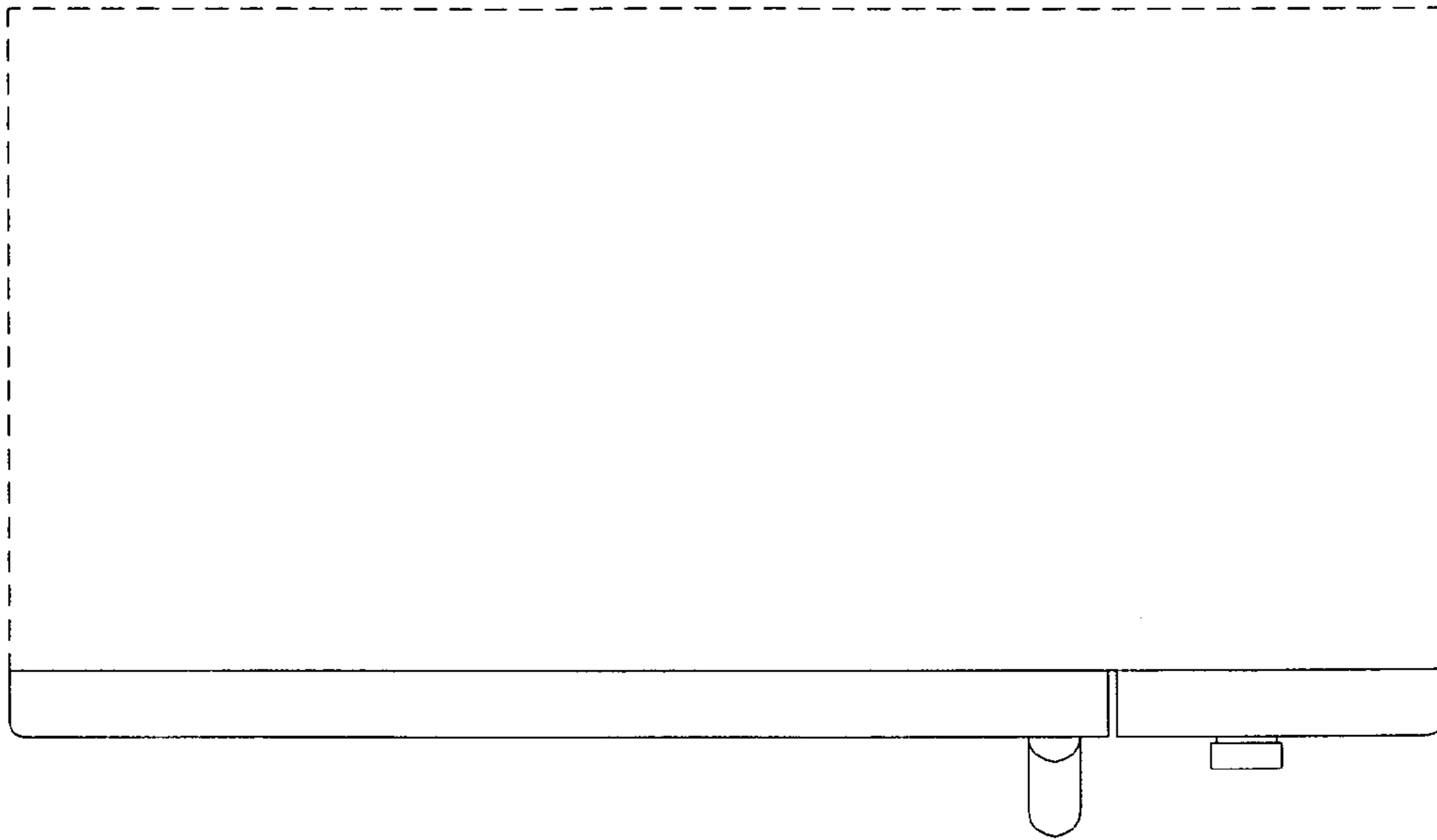


FIG. 7

