



US00D673414S

(12) **United States Design Patent**  
**Sanders**

(10) **Patent No.:** **US D673,414 S**  
(45) **Date of Patent:** **\*\* Jan. 1, 2013**

(54) **ZIPPER COVER FOR A MATTRESS ENCLOSURE**

D624,847 S \* 10/2010 Czyzewski ..... D11/165  
2012/0084918 A1 \* 4/2012 Rattner et al. .... 5/499  
2012/0117728 A1 \* 5/2012 O'Neill ..... 5/499

(76) Inventor: **Mark Sanders**, Tamarac, FL (US)

\* cited by examiner

(\*\*) Term: **14 Years**

*Primary Examiner* — Janice Seeger

(21) Appl. No.: **29/409,566**

(74) *Attorney, Agent, or Firm* — Michael D. Eisenberg

(22) Filed: **Dec. 24, 2011**

(57) **CLAIM**  
The ornamental design for a zipper cover for a mattress enclosure, as shown and described.

**Related U.S. Application Data**

**DESCRIPTION**

(63) Continuation of application No. 13/279,130, filed on Oct. 21, 2011.

FIG. 1 is a perspective view of a zipper cover for a mattress enclosure;

(51) **LOC (9) Cl.** ..... **06-06**

FIG. 2 is a top view of the zipper construction;

(52) **U.S. Cl.** ..... **D6/606**

FIG. 3 is a bottom view of the zipper construction;

(58) **Field of Classification Search** ..... D6/605,  
D6/606, 595, 596, 607; 2/219, 235, 912;  
D24/126; 24/390, 389, 442, 306; D11/200,  
D11/201; 5/738, 699, 482, 488, 499, 501;  
248/205.2

FIG. 4 is a bottom perspective view of the zipper construction;

See application file for complete search history.

FIG. 5 is a top view of the zipper construction with the cover closed;

FIG. 6 is a perspective view of the zipper construction with the cover closed;

(56) **References Cited**

**U.S. PATENT DOCUMENTS**

4,937,920 A \* 7/1990 Tsai ..... 24/3.3  
5,170,505 A \* 12/1992 Rohrer ..... 2/69  
5,692,240 A \* 12/1997 Steele ..... 2/129

FIG. 7 is a left side view of the zipper construction;

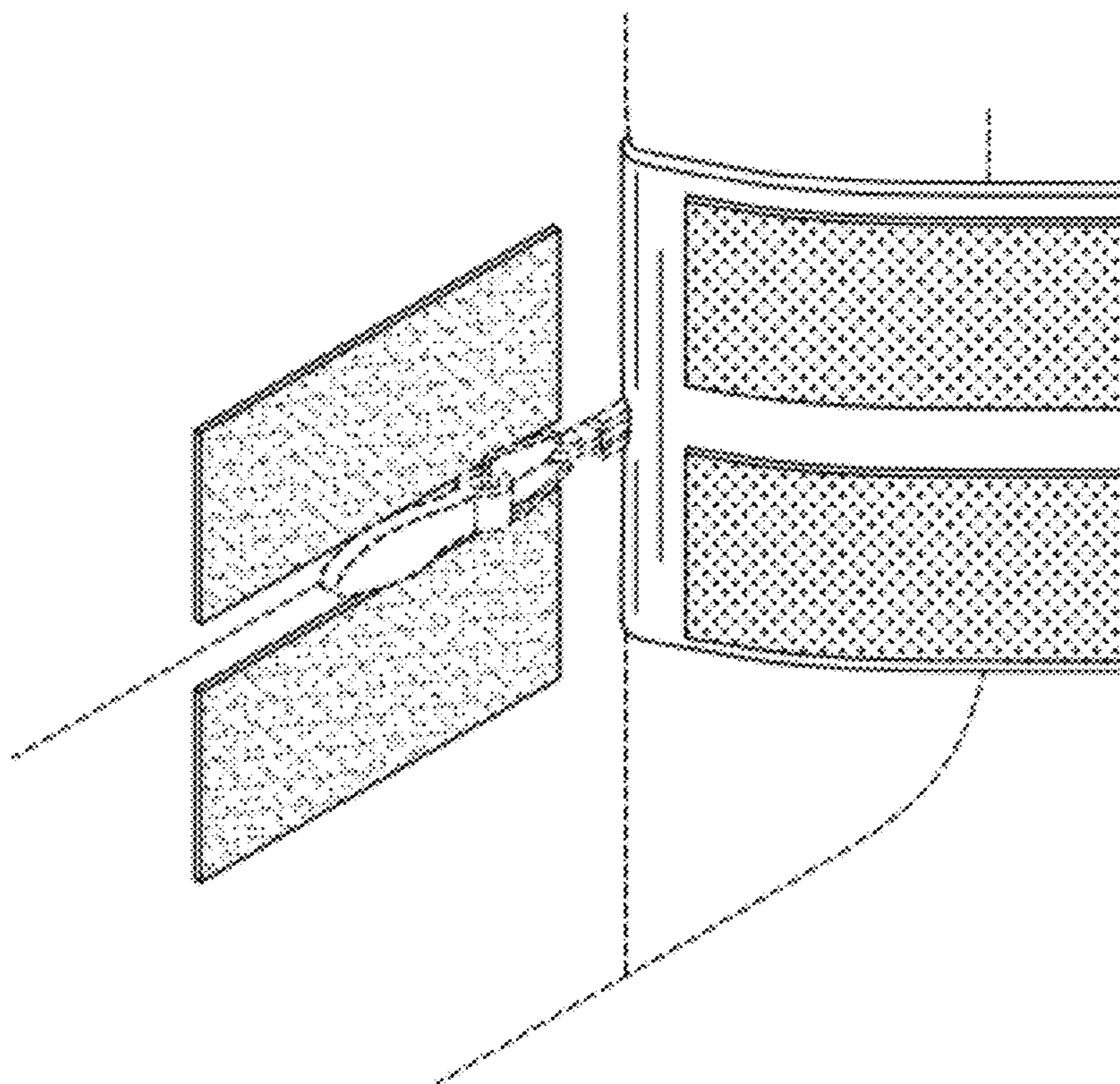
FIG. 8 is a right side view of the zipper construction;

FIG. 9 is a front view of the zipper construction; and,

FIG. 10 is a rear view of the zipper construction.

The broken lines depict unclaimed environmental subject matter.

**1 Claim, 6 Drawing Sheets**



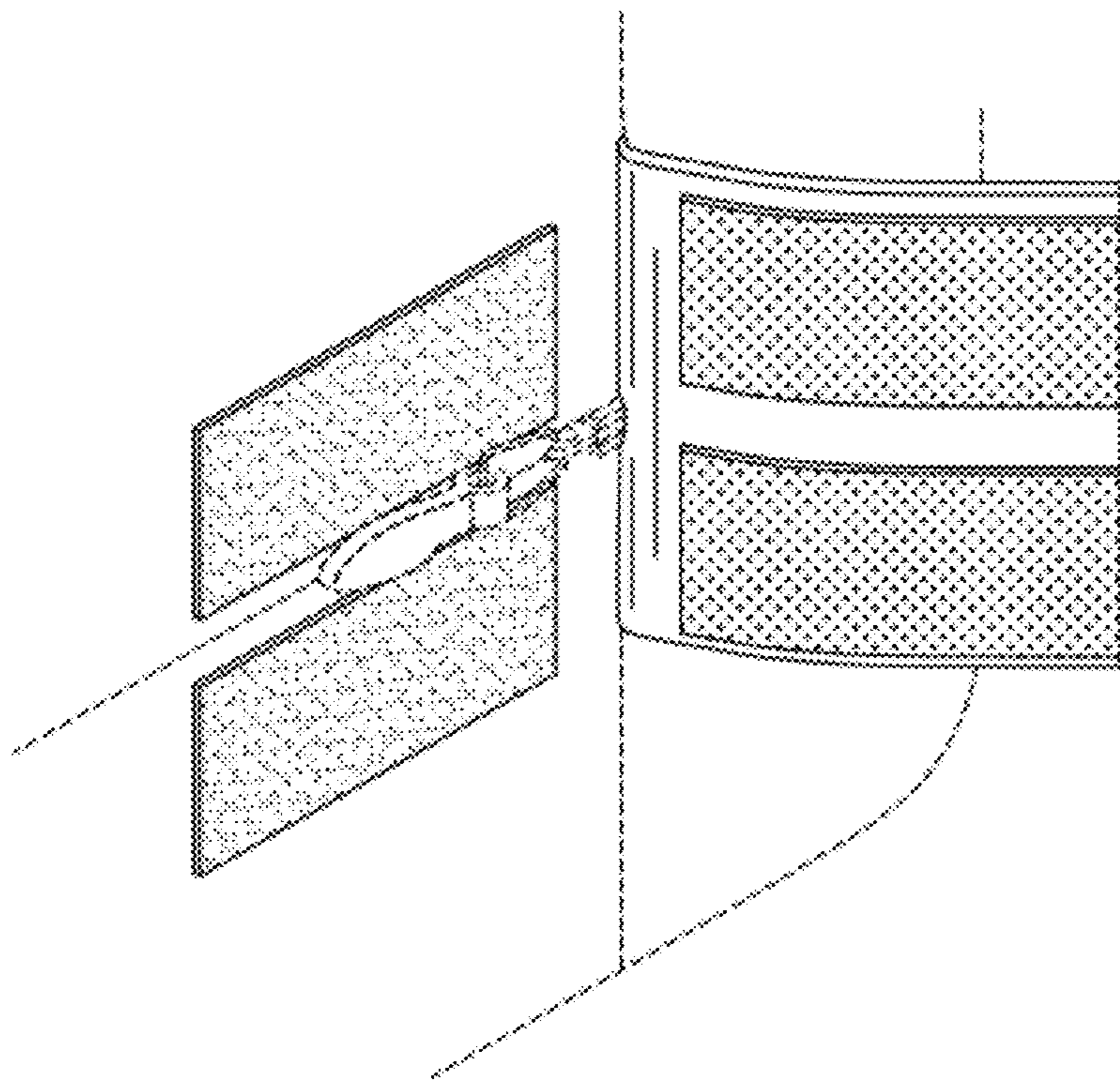


FIG. 1

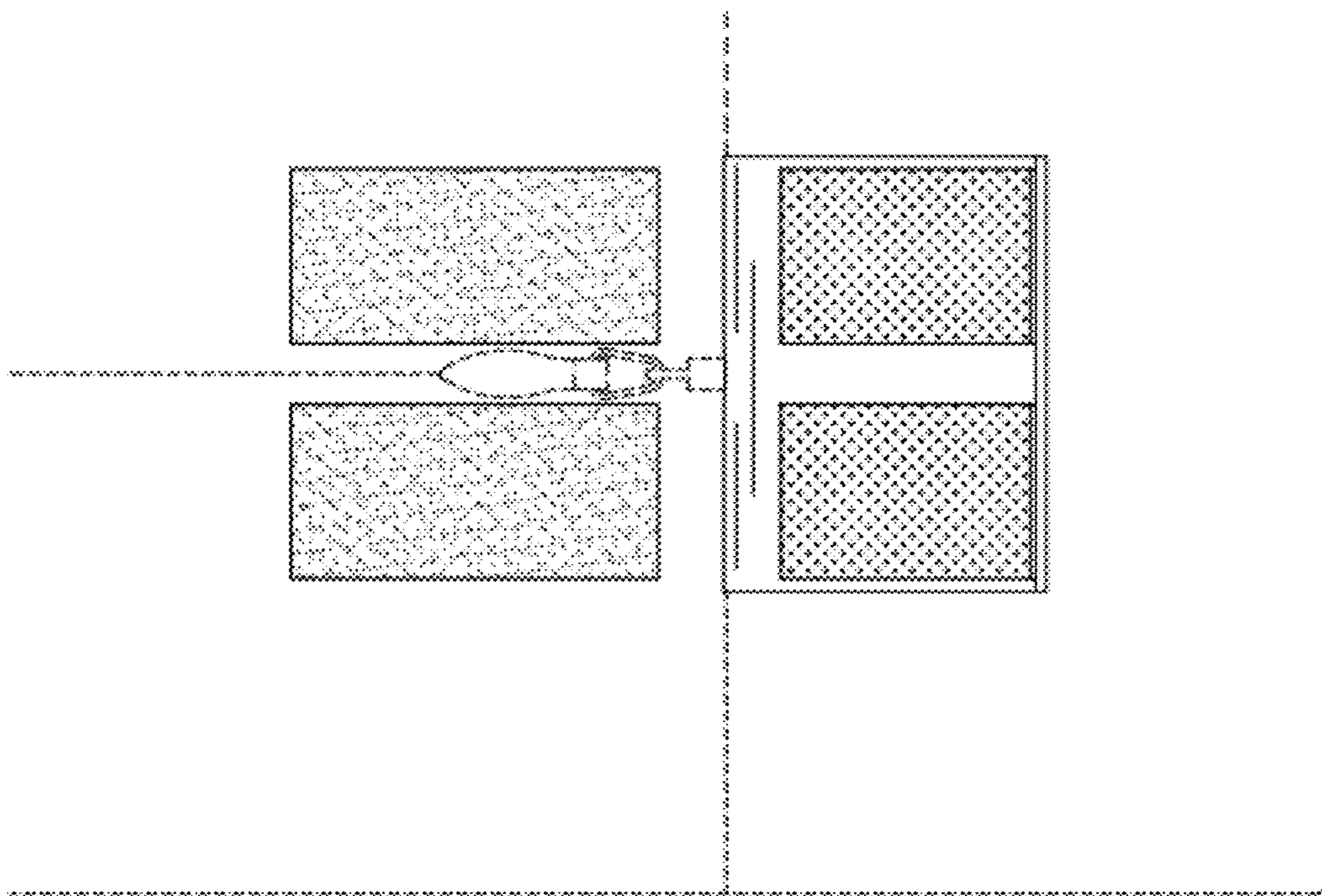
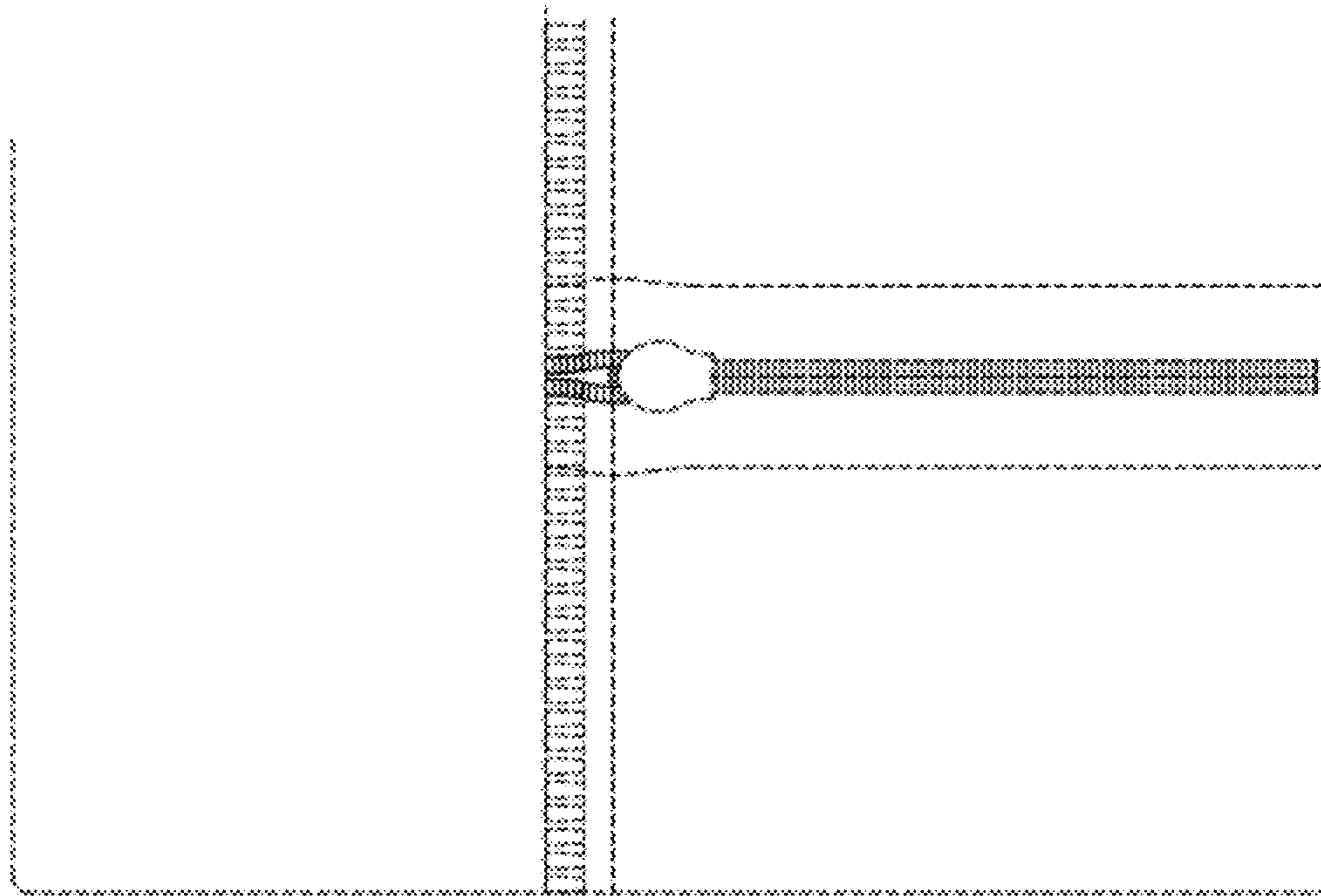


FIG. 2



**FIG. 3**

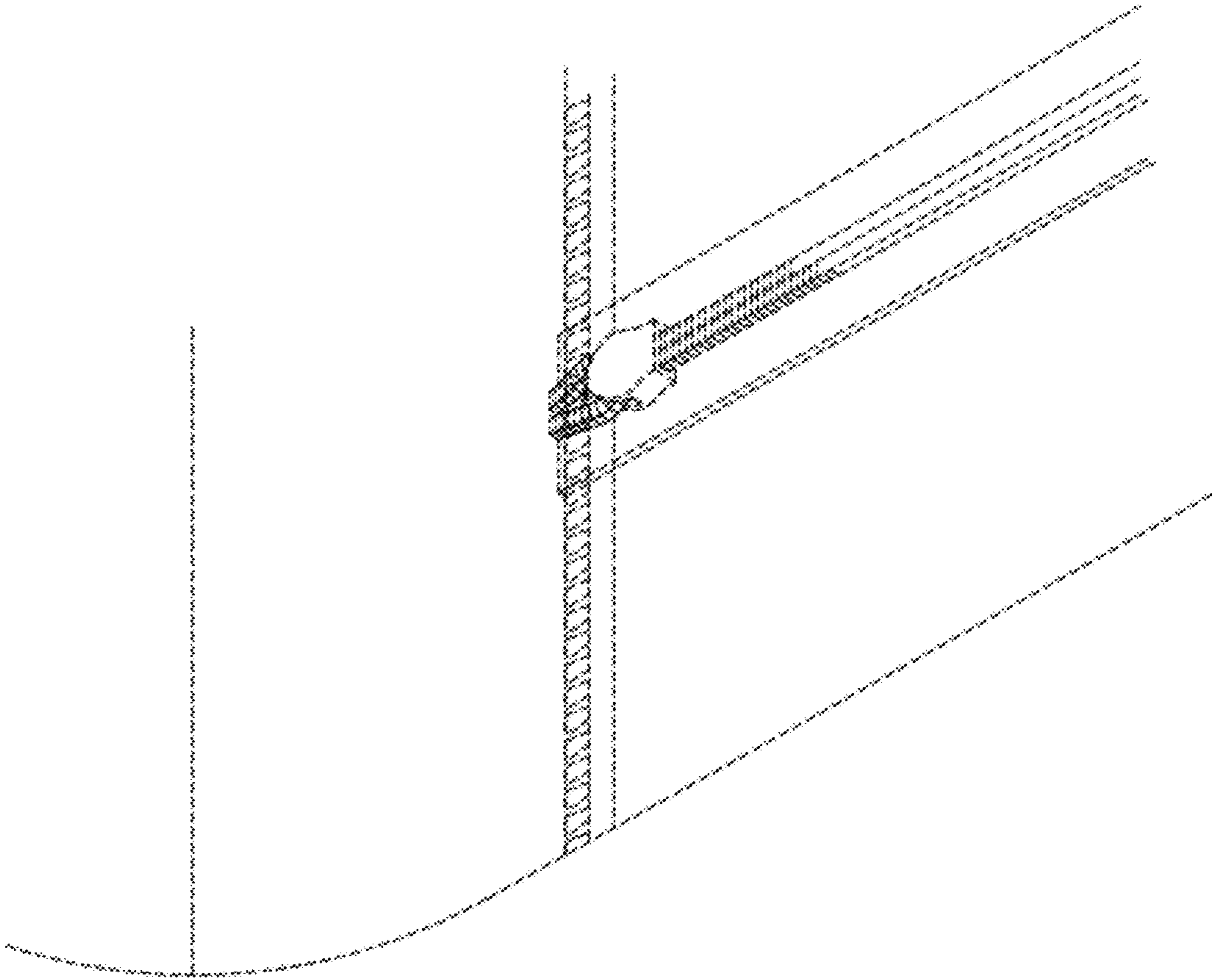
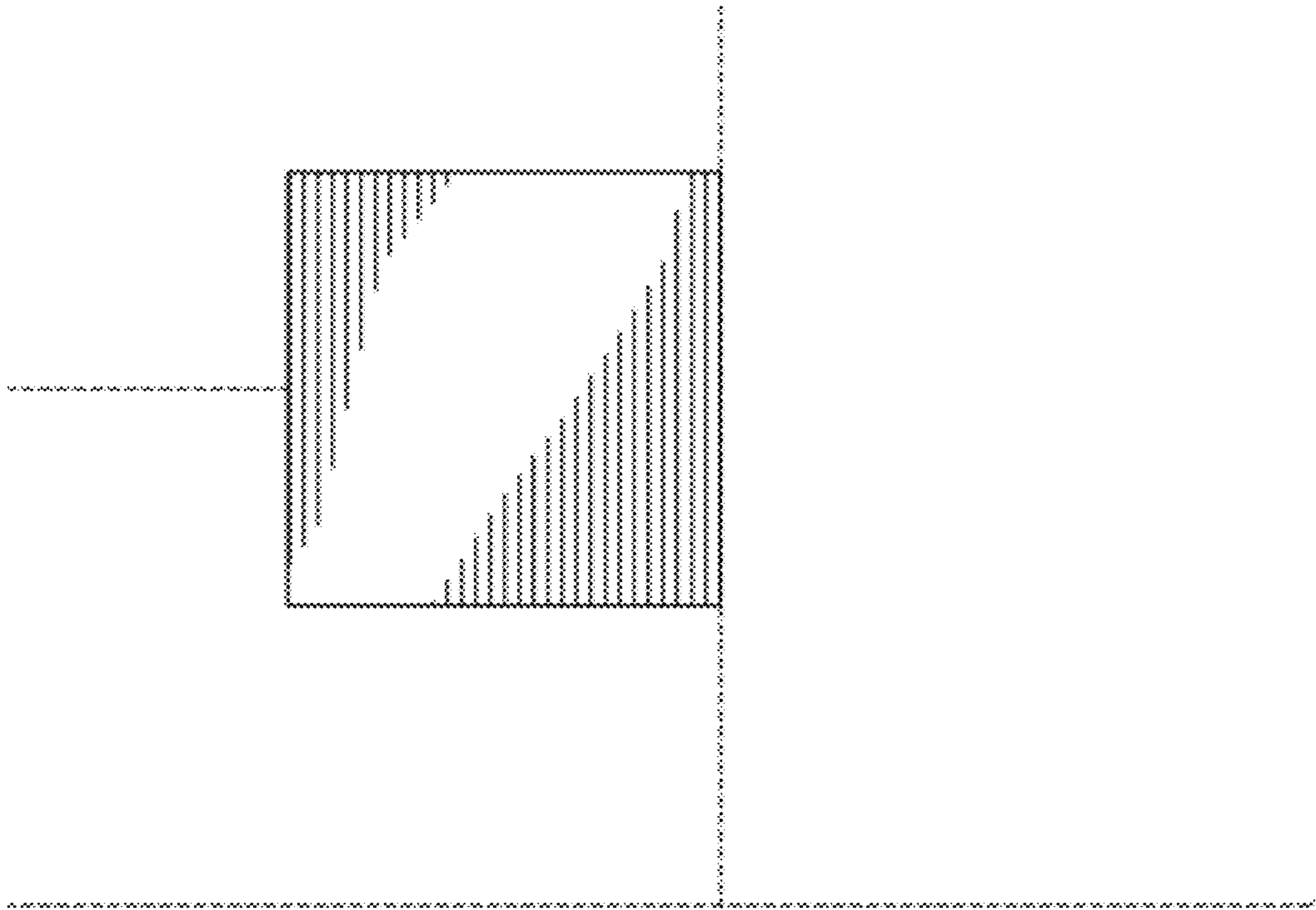
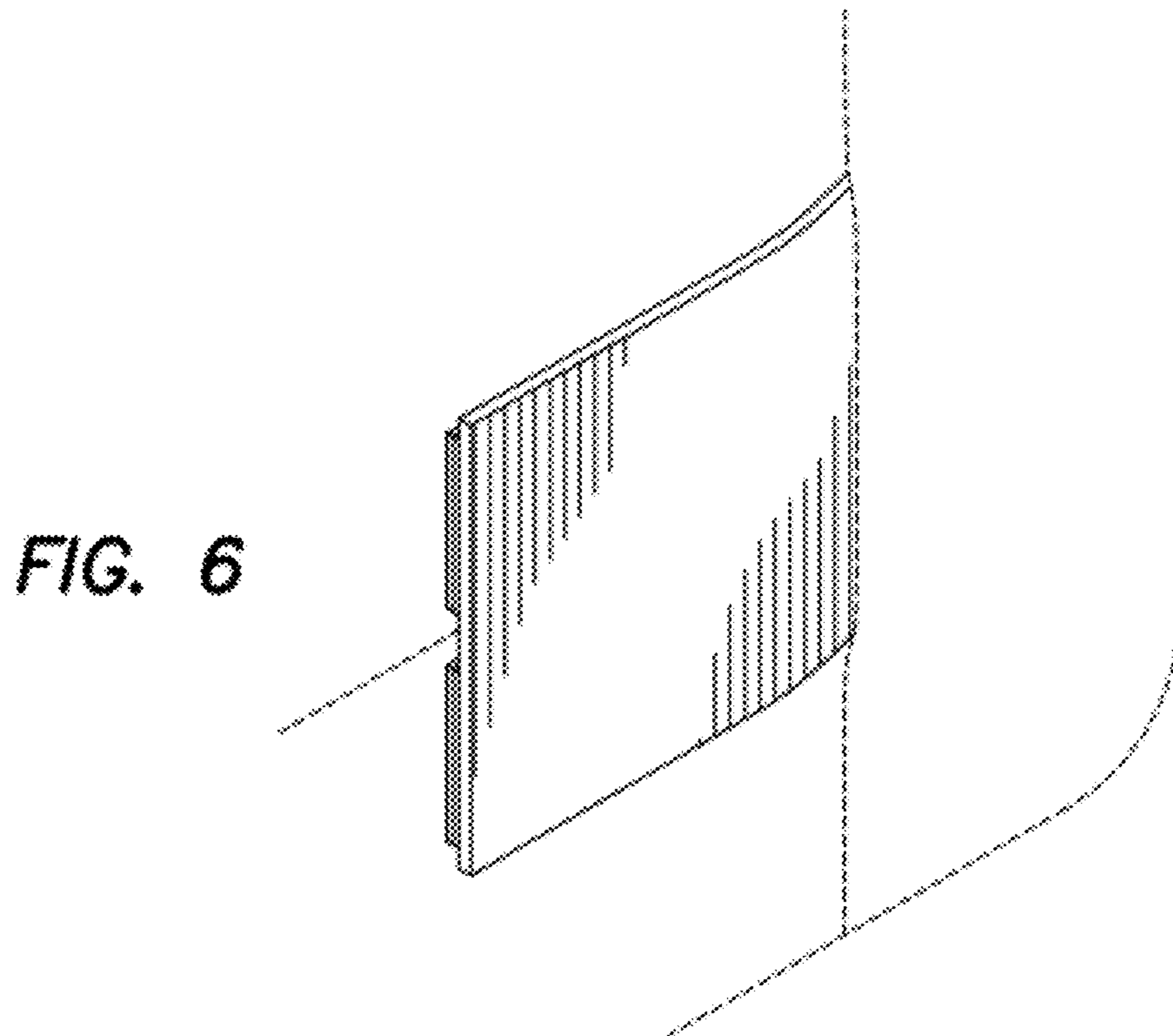


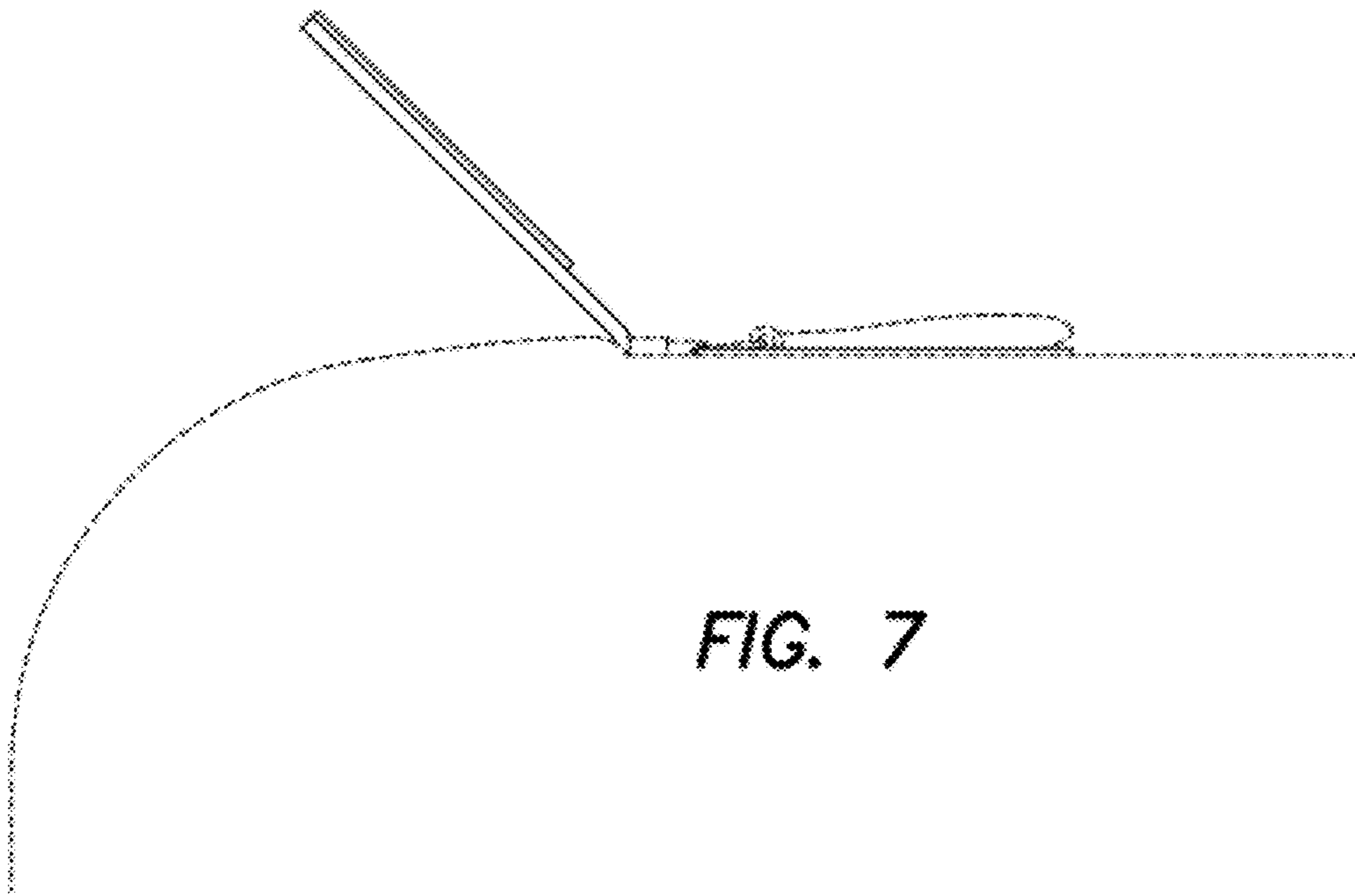
FIG. 4



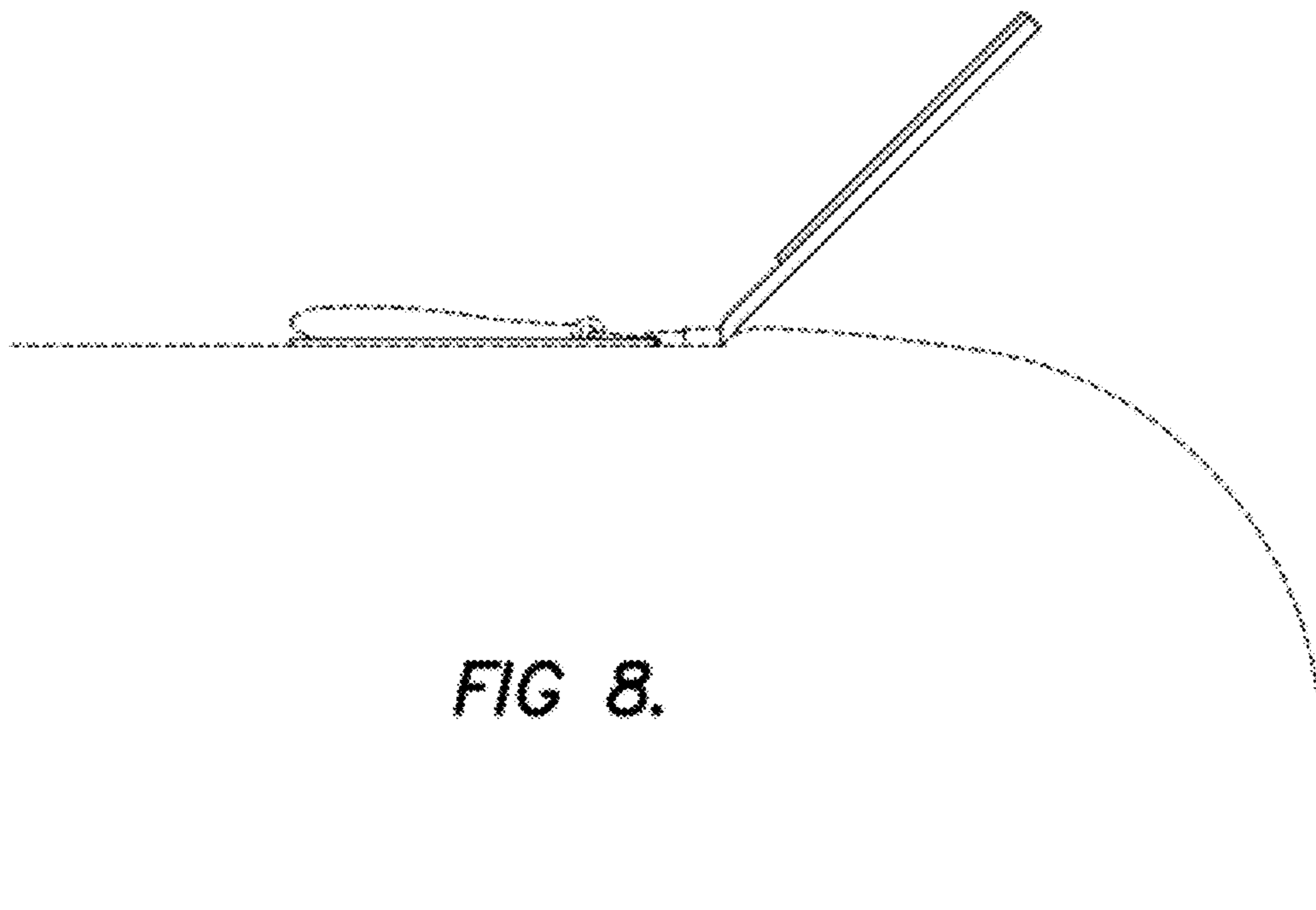
**FIG. 5**



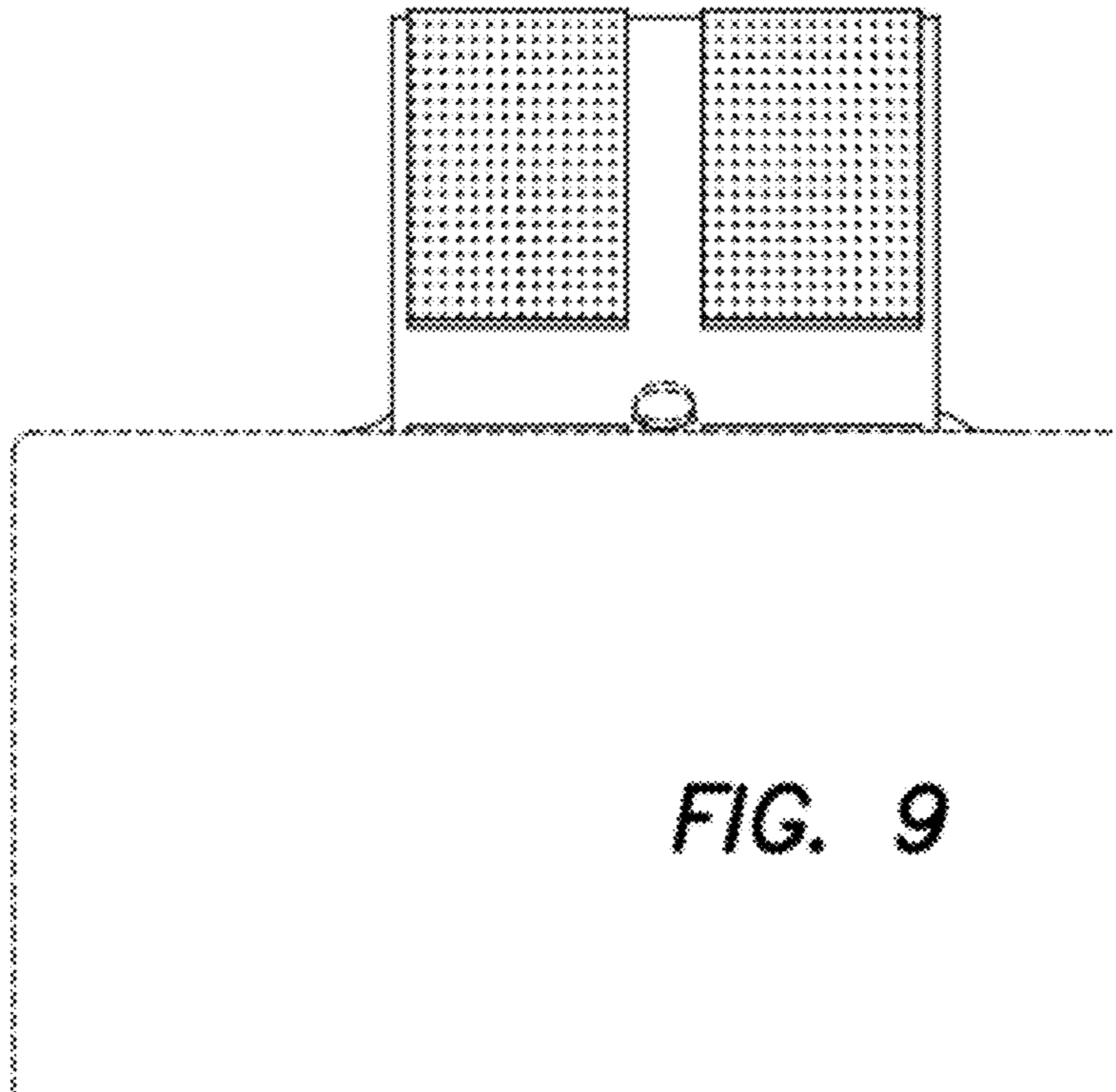
**FIG. 6**



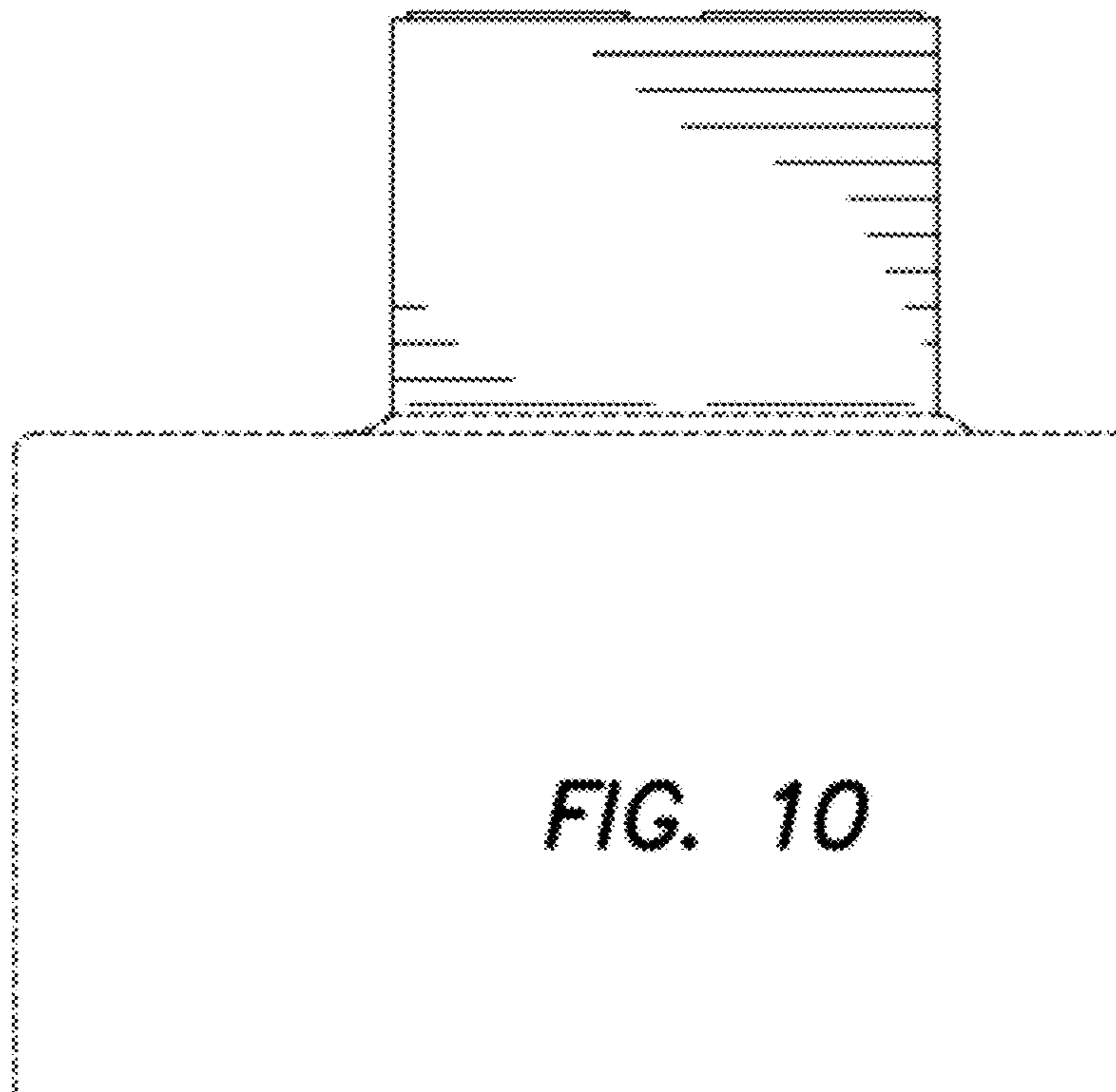
**FIG. 7**



**FIG. 8.**



**FIG. 9**



**FIG. 10**