



US00D673410S

(12) **United States Design Patent**
O’Connell

(10) **Patent No.:** **US D673,410 S**

(45) **Date of Patent:** **** Jan. 1, 2013**

(54) **THERAPEUTIC PILLOW**

(76) **Inventor:** **Jeanette Sandra O’Connell**, Stevenson Ranch, CA (US)

(**) **Term:** **14 Years**

(21) **Appl. No.:** **29/409,990**

(22) **Filed:** **Dec. 31, 2011**

(51) **LOC (9) Cl.** **06-09**

(52) **U.S. Cl.** **D6/601**

(58) **Field of Classification Search** D6/595,
D6/596, 597, 601; 5/630, 636, 637, 648,
5/652, 653, 655.3, 656, 907; D24/191
See application file for complete search history.

(56) **References Cited**

U.S. PATENT DOCUMENTS

D293,286 S *	12/1987	Alfer	D6/596
4,850,067 A	7/1989	Latorre		
D322,380 S	12/1991	El-Asir		
D334,159 S *	3/1993	Mulligan	D12/133
D341,736 S *	11/1993	McDonald	D6/502
D348,174 S	6/1994	Genis		
5,457,832 A	10/1995	Tatum		
D419,267 S	1/2000	Hartunian		
D420,845 S	2/2000	Rumage		
6,230,348 B1 *	5/2001	Patrikakis	5/636
6,622,727 B2	9/2003	Perry		
D481,247 S	10/2003	Roberts		
7,017,212 B2	3/2006	Matthews		

D539,572 S	4/2007	Nguyen
D546,105 S	7/2007	McMillan
D578,220 S	10/2008	Ebarb
D582,713 S	12/2008	Baldwin
D585,139 S	1/2009	Andrews
D590,198 S	4/2009	Nostrant
D597,364 S	8/2009	Lindgren
D618,354 S	6/2010	Francucci
D625,420 S	10/2010	Sharps

* cited by examiner

Primary Examiner — Janice Seeger

(74) *Attorney, Agent, or Firm* — Timothy Thut Tyson; Leon D. Rosen & Associates

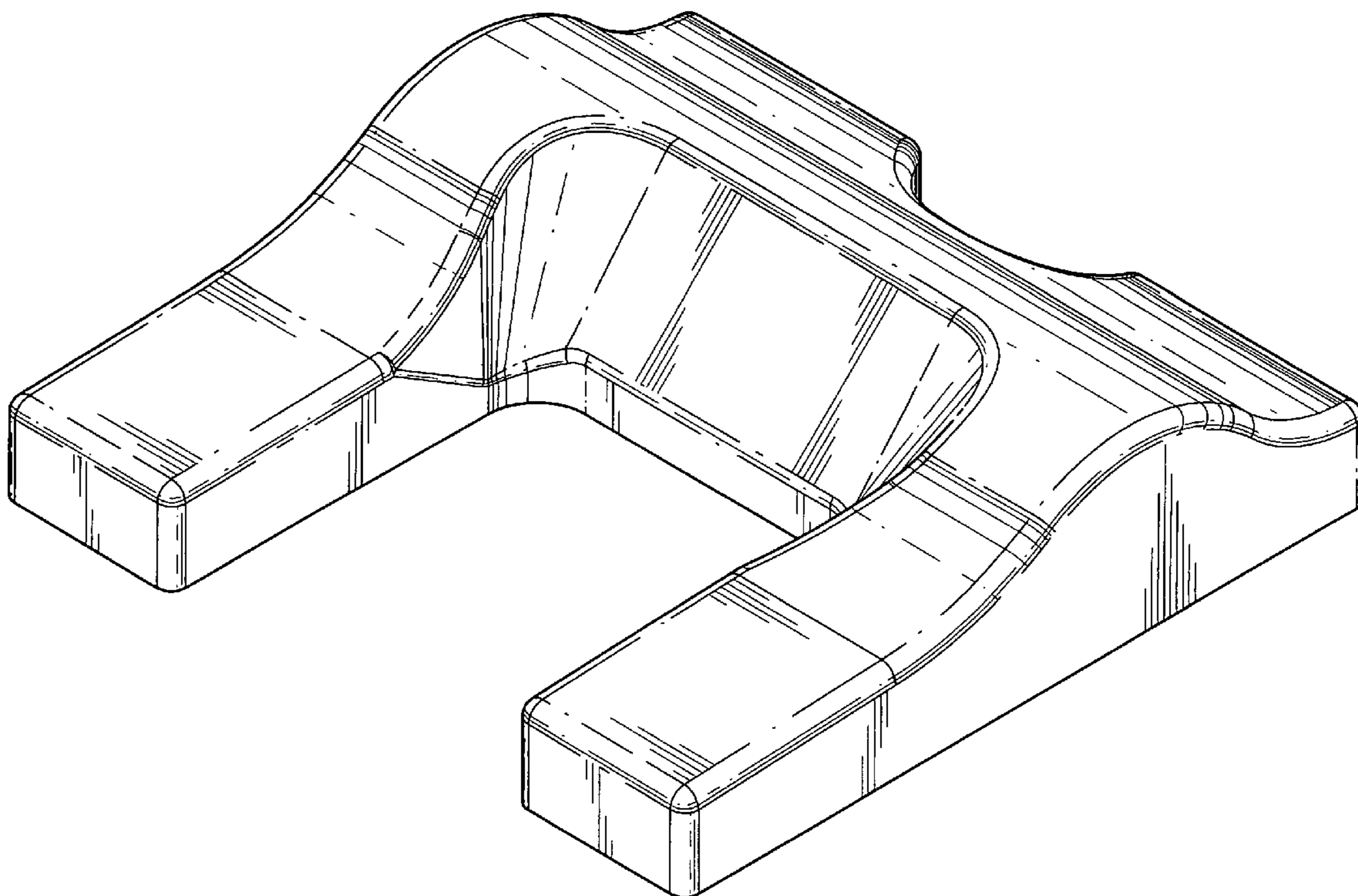
(57) **CLAIM**

The ornamental design for a therapeutic pillow, as shown and described.

DESCRIPTION

FIG. 1 is a top, front, perspective view of a therapeutic pillow showing my new design;
FIG. 2 is a top plan view thereof;
FIG. 3 is a rear elevation view thereof;
FIG. 4 is a front elevation view thereof
FIG. 5 is a right side elevation view, the left side elevation view being the mirror image thereof; and,
FIG. 6 is a bottom plan view thereof.

1 Claim, 5 Drawing Sheets



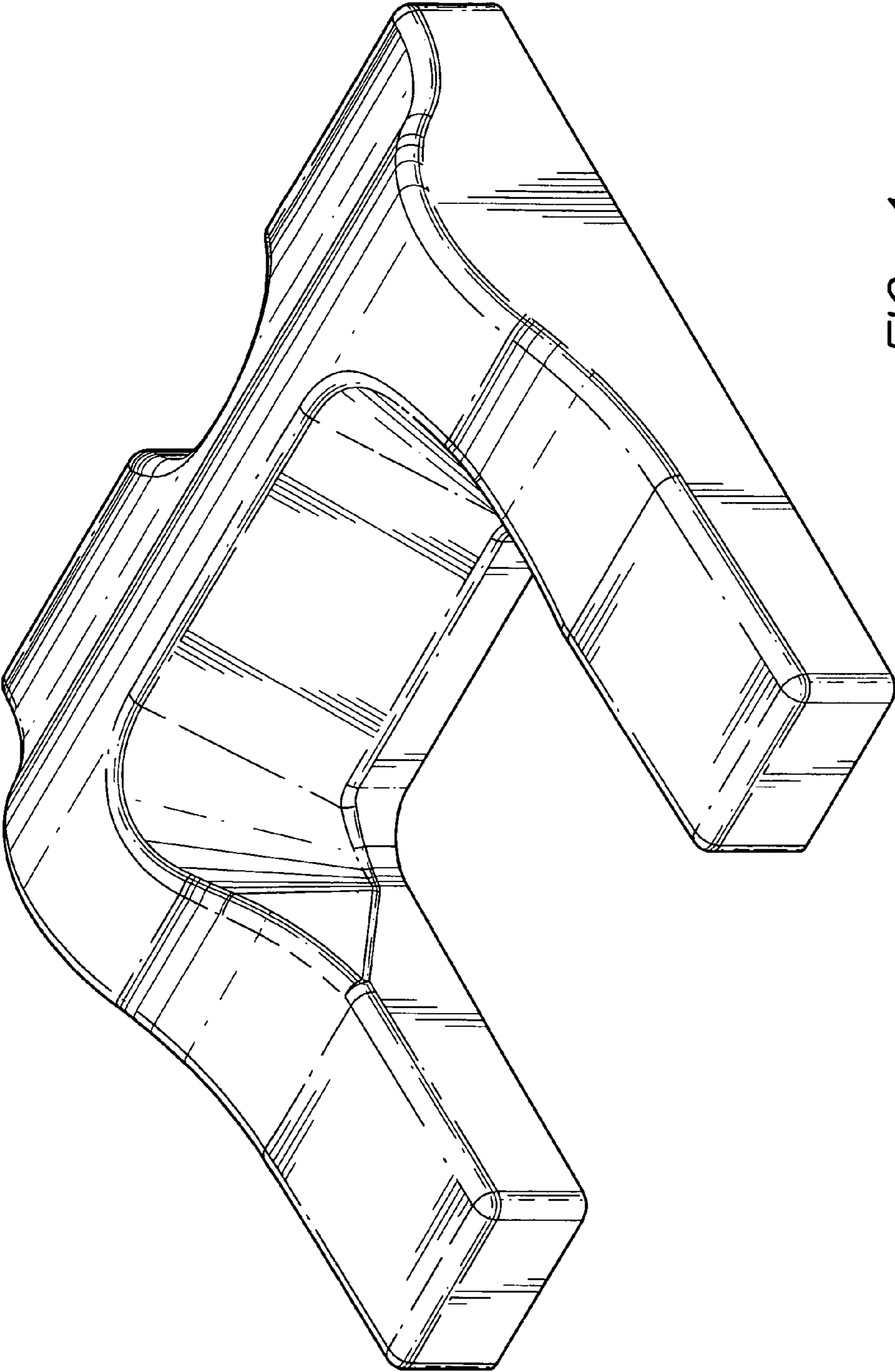


FIG. 1

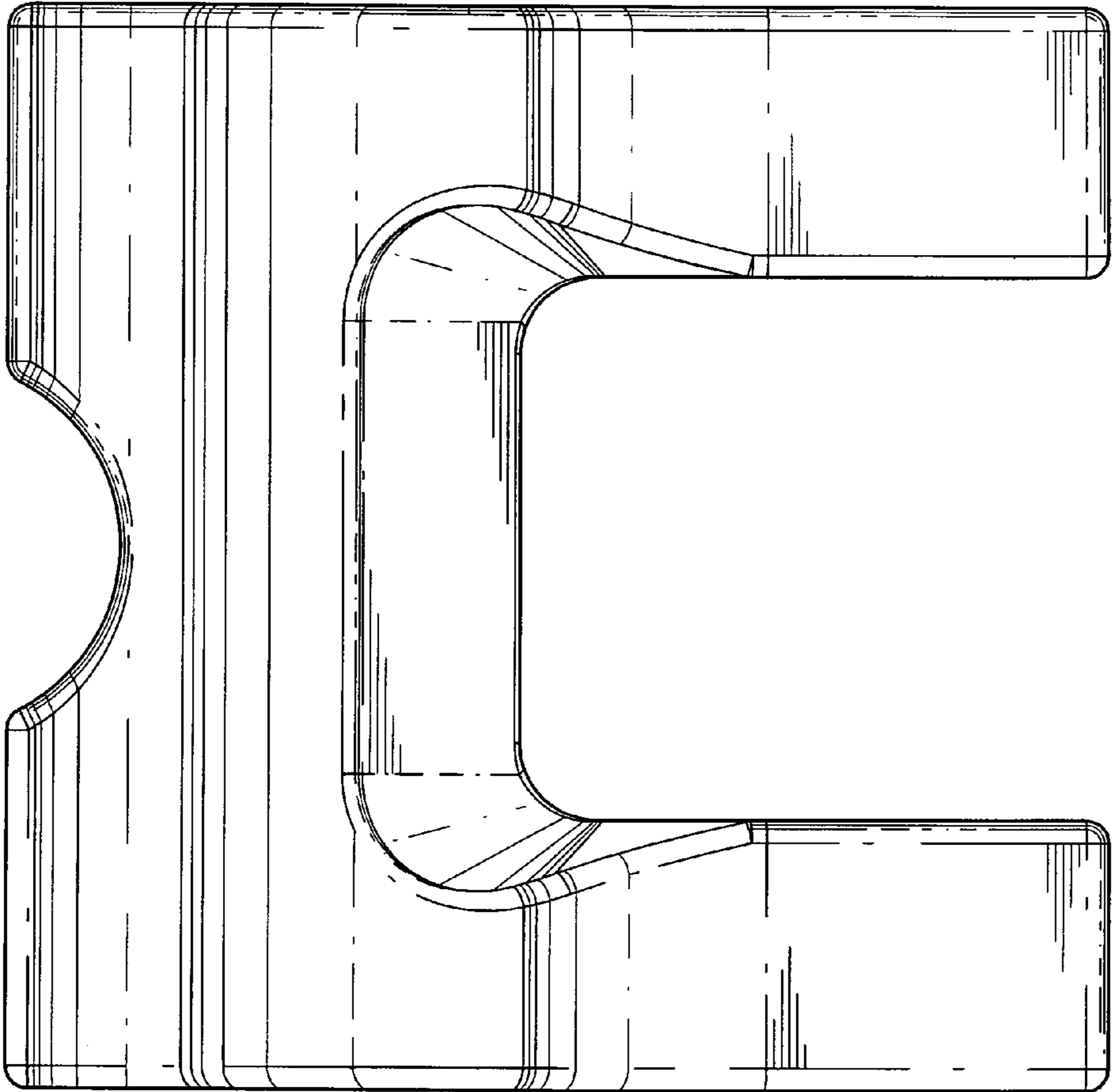


FIG. 2

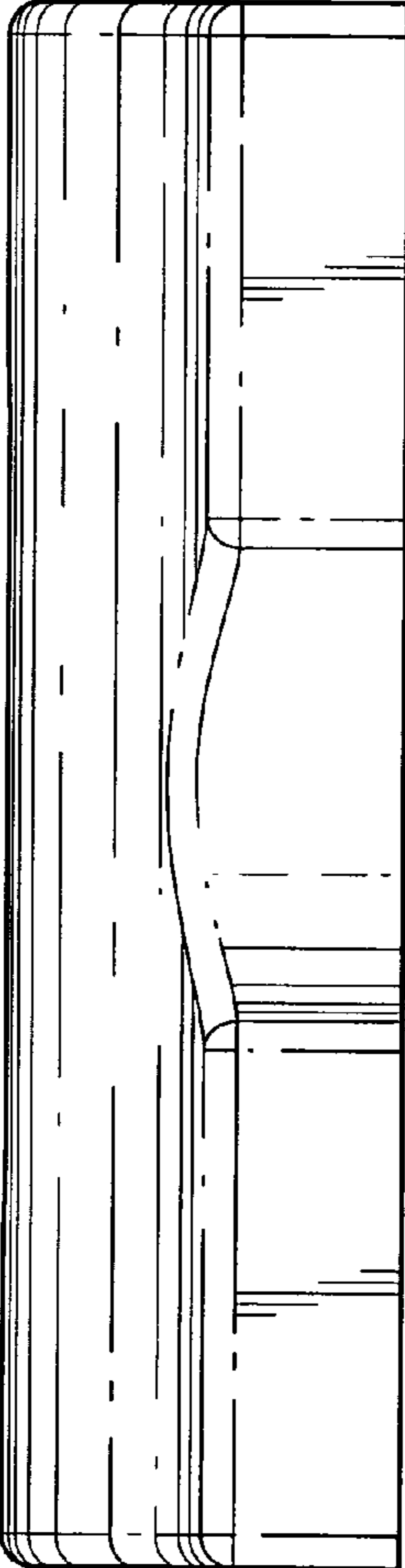


FIG. 3



FIG. 4

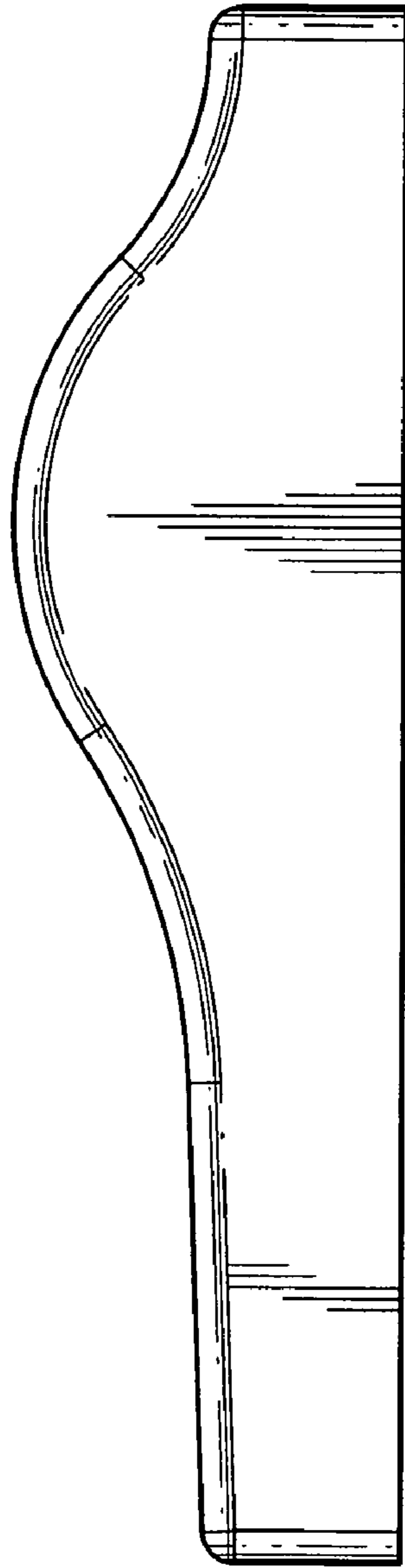


FIG. 5

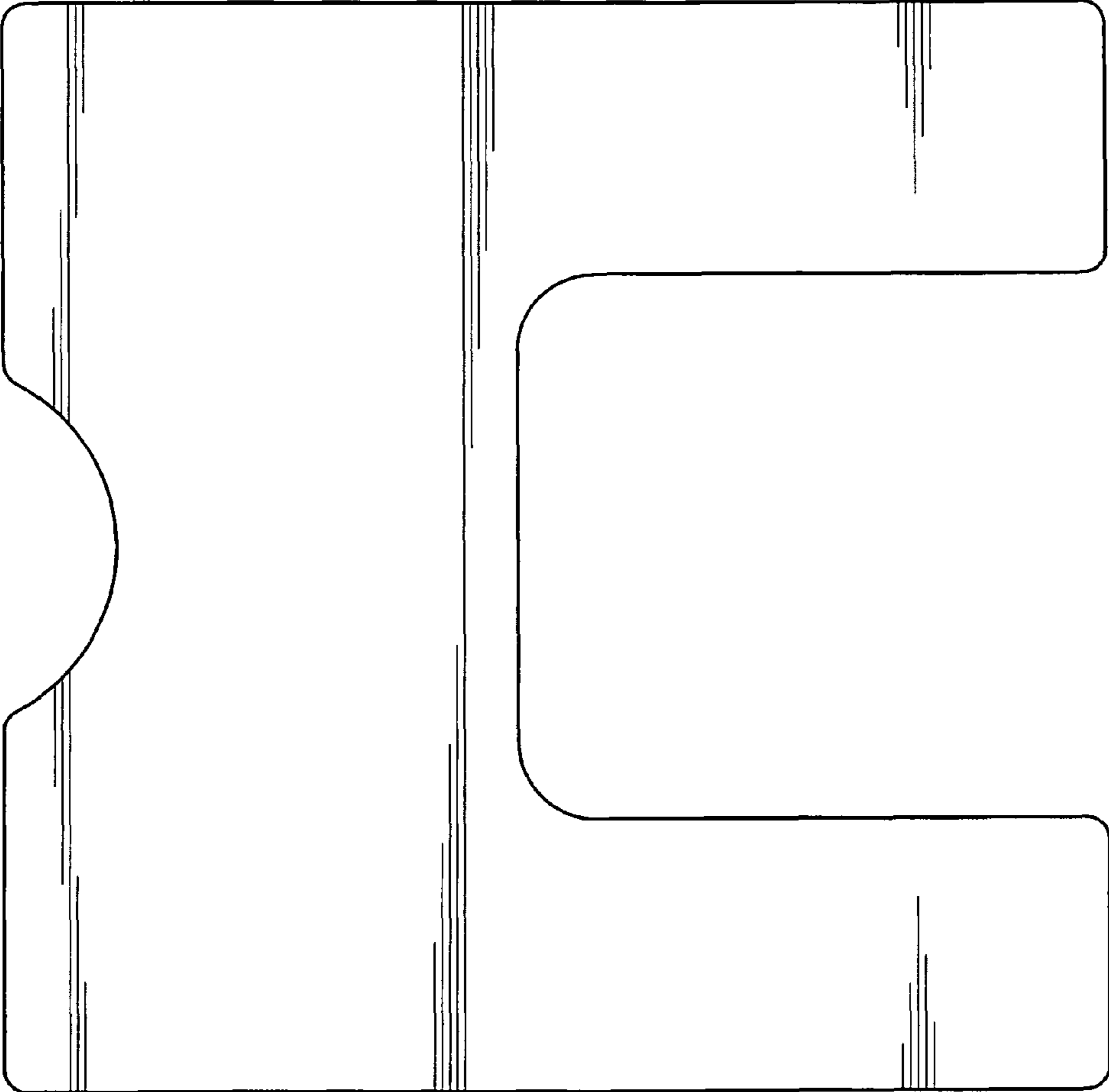


FIG. 6