



US00D673405S

(12) **United States Design Patent**
Huss et al.

(10) **Patent No.:** **US D673,405 S**
(45) **Date of Patent:** **** Jan. 1, 2013**

(54) **KNEELING AND ROLLABLE MAT**

(75) Inventors: **Philip C. Huss**, Rockvale, TN (US);
Taunya Swandal, Mt. Juliet, TN (US)

(73) Assignee: **Tennessee Mat Company, Inc.**, Smyrna,
TN (US)

(**) Term: **14 Years**

(21) Appl. No.: **29/412,931**

(22) Filed: **Feb. 9, 2012**

(51) **LOC (9) Cl.** **06-11**

(52) **U.S. Cl.** **D6/592**

(58) **Field of Classification Search** D5/30,
D5/47, 49, 58, 61-63, 99; D6/582, 583,
D6/588, 591, 592, 613, 615, 617, 619, 620,
D6/621; D12/203; D19/1, 5, 8; 4/581, 582,
4/583; 5/417, 420; 15/215, 238; 52/660;
428/85

See application file for complete search history.

(56) **References Cited**

U.S. PATENT DOCUMENTS

D54,610	S	*	3/1920	Evans et al.	D19/1
1,440,904	A		1/1923	Bethke		
1,633,951	A	*	6/1927	O'Toole	4/251.1
3,323,151	A	*	6/1967	Lerman	5/722
D285,938	S	*	9/1986	Ventres, Jr.	D19/1
D300,148	S	*	3/1989	Osofsky et al.	D19/1
D371,177	S	*	6/1996	Efobi	D21/687
D387,111	S	*	12/1997	Delegarde	D21/699
D408,479	S	*	4/1999	Fitzpatrick et al.	D21/687
D487,551	S	*	3/2004	Lee	D6/582

D513,774	S	*	1/2006	Nudo	D21/698
D559,026	S	*	1/2008	Perry-Coleman	D6/592
D568,389	S	*	5/2008	Hammad	D19/10
D628,844	S	*	12/2010	Tuggle	D6/591
D661,793	S	*	6/2012	Spasojevic et al.	D23/418
D661,794	S	*	6/2012	Spasojevic et al.	D23/418
2006/0230538	A1		10/2006	Brown		
2008/0178391	A1		7/2008	Andrade		
2008/0261000	A1*		10/2008	White et al.	428/192
2011/0088168	A1		4/2011	Haynesworth		
2012/0124739	A1*		5/2012	Crowne et al.	5/417

FOREIGN PATENT DOCUMENTS

GB 2456755 7/2009

* cited by examiner

Primary Examiner — Karen S Acker

(74) *Attorney, Agent, or Firm* — Clark & Brody

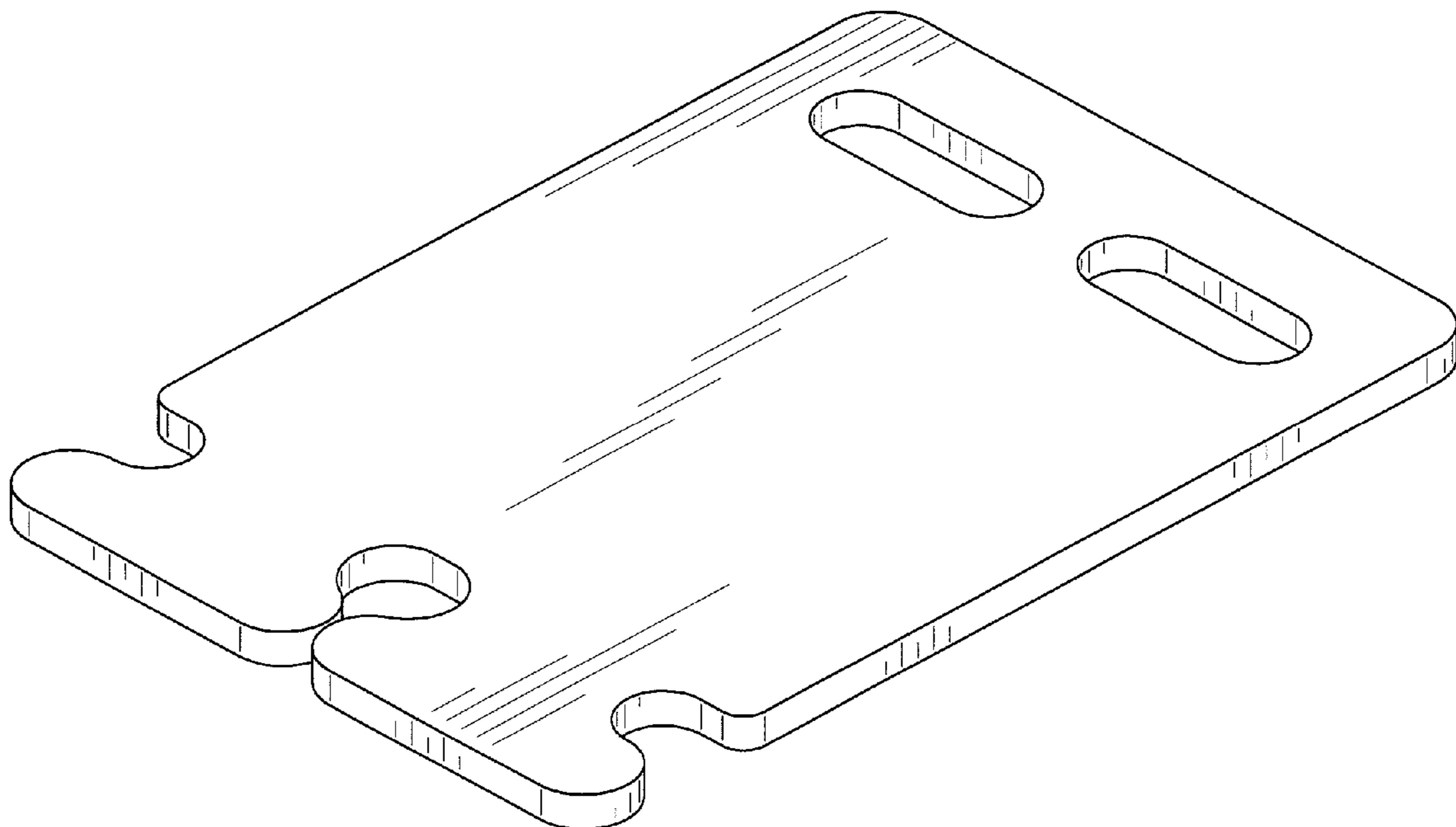
(57) **CLAIM**

The ornamental design for a kneeling and rollable mat, as shown and described.

DESCRIPTION

FIG. 1 is a front perspective view of a first embodiment of a kneeling and rollable mat, showing our new design; FIG. 2 is a front side view thereof; FIG. 3 is a rear side view thereof; FIG. 4 is a right side thereof; FIG. 5 is a left side thereof; FIG. 6 is a top view thereof; and, FIG. 7 is a bottom side view thereof.

1 Claim, 3 Drawing Sheets



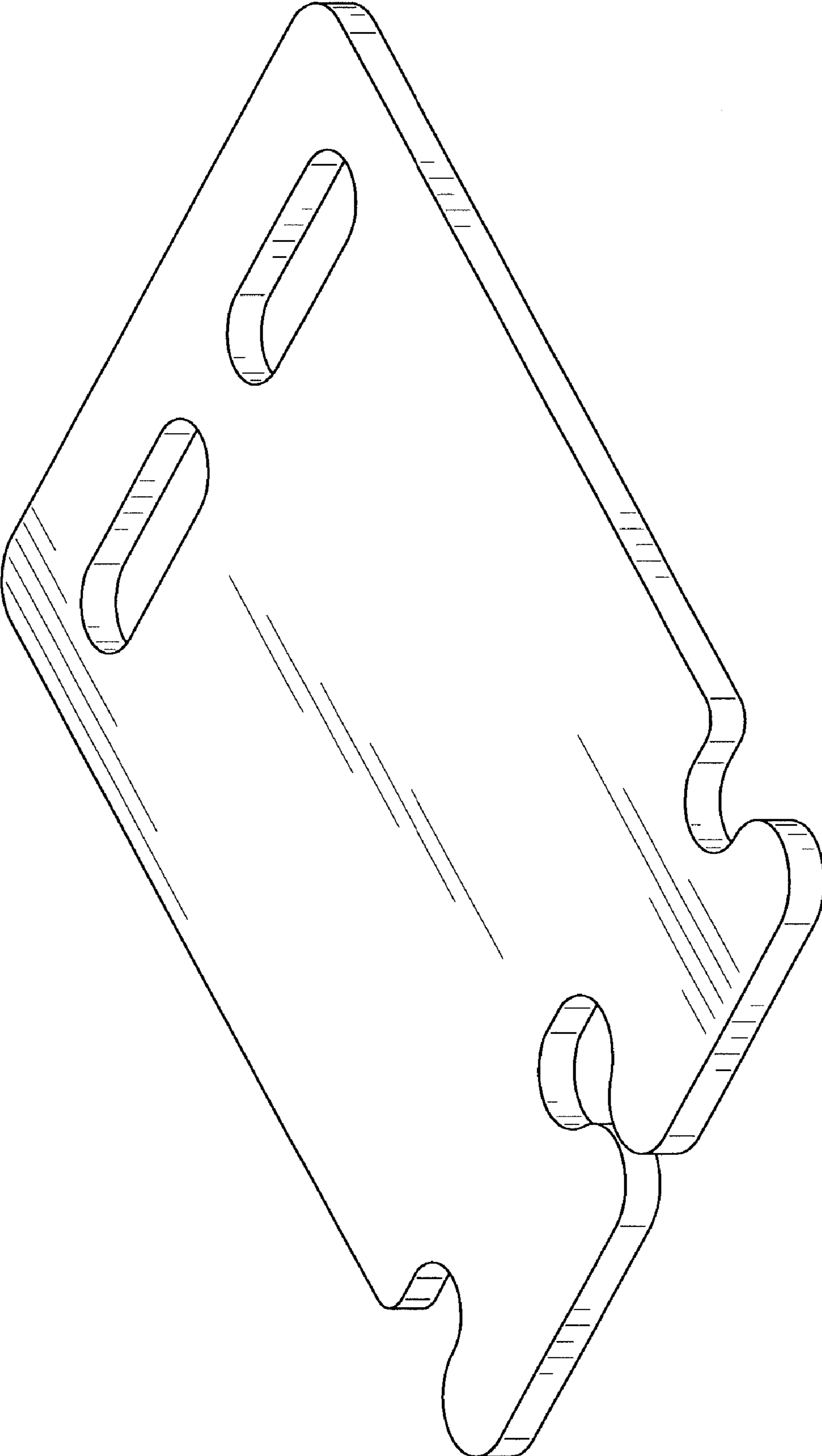


FIG. 1



FIG. 2



FIG. 3

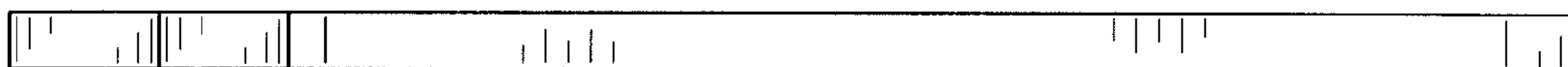


FIG. 4



FIG. 5

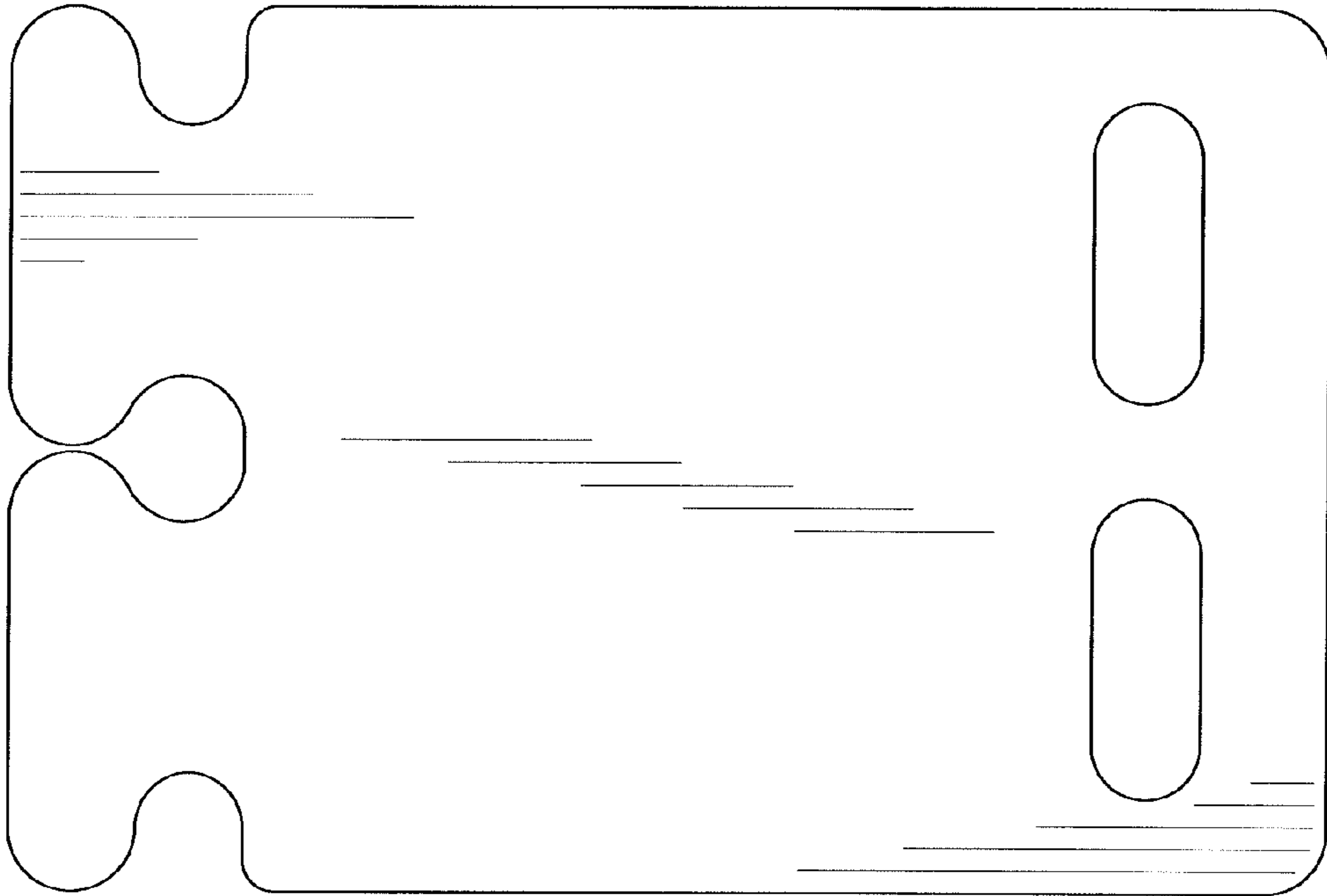


FIG. 7

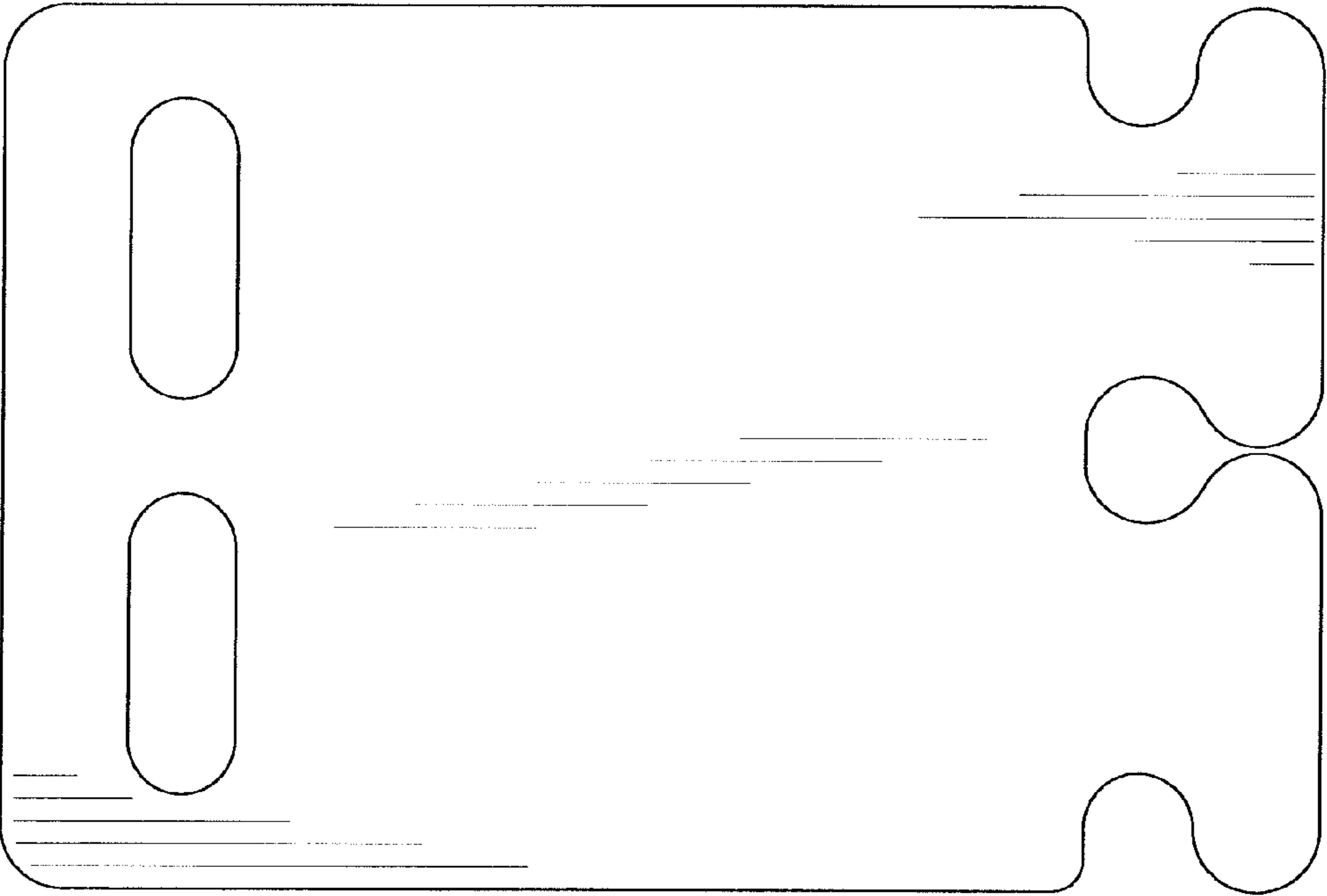


FIG. 6