



US00D673404S

(12) **United States Design Patent**
Grandidier

(10) **Patent No.:** **US D673,404 S**

(45) **Date of Patent:** **** Jan. 1, 2013**

(54) **SHELF AND PEG UNIT**

(75) Inventor: **Geraldine Grandidier**, London (GB)

(73) Assignee: **Tidy Books Europe Limited**, London (GB)

(**) Term: **14 Years**

(21) Appl. No.: **29/427,797**

(22) Filed: **Jul. 23, 2012**

(30) **Foreign Application Priority Data**

Jan. 31, 2012	(EP)	001984089-0001
Jan. 31, 2012	(EP)	001984089-0002
Jan. 31, 2012	(EP)	001984089-0003

(51) **LOC (9) Cl.** **06-04**

(52) **U.S. Cl.** **D6/569**

(58) **Field of Classification Search** D6/553,
D6/567, 569-572; 248/309.1; D8/345, 363,
D8/367, 371-373, 380; 206/349; 211/13.1,
211/86.01, 87.01, 85.9

See application file for complete search history.

(56) **References Cited**

U.S. PATENT DOCUMENTS

D320,720	S	*	10/1991	Goodman et al.	D6/569
D331,855	S	*	12/1992	Kaplan	D6/569
D390,013	S	*	2/1998	Ho	D6/569
D474,933	S	*	5/2003	Kaposi	D6/569
D547,584	S	*	7/2007	Little	D6/569
D602,294	S	*	10/2009	Ferguson	D6/569

* cited by examiner

Primary Examiner — Brian N Vinson

(74) *Attorney, Agent, or Firm* — Burns & Levinson LLP;
Bruce D. Jobse, Esq.

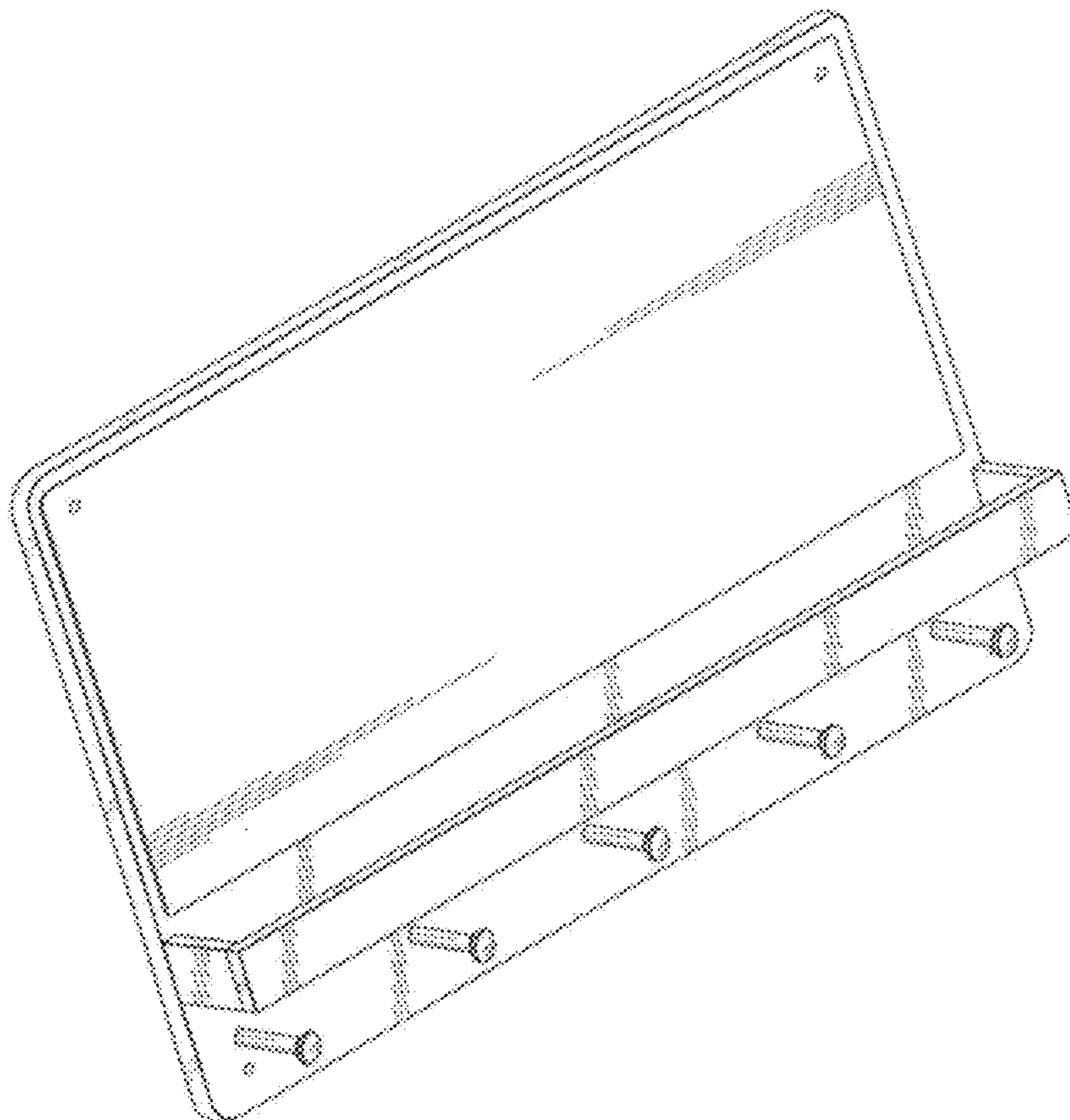
(57) **CLAIM**

The ornamental design for a shelf and peg unit, as shown and described.

DESCRIPTION

FIG. 1 is a front perspective view of the shelf and peg unit;
FIG. 2 is a front view of the shelf and peg unit;
FIG. 3 is a rear view of the shelf and peg unit;
FIG. 4 is a top view of the shelf and peg unit;
FIG. 5 is a bottom view of the shelf and peg unit; and,
FIG. 6 is a side view of the self and peg unit.

1 Claim, 3 Drawing Sheets



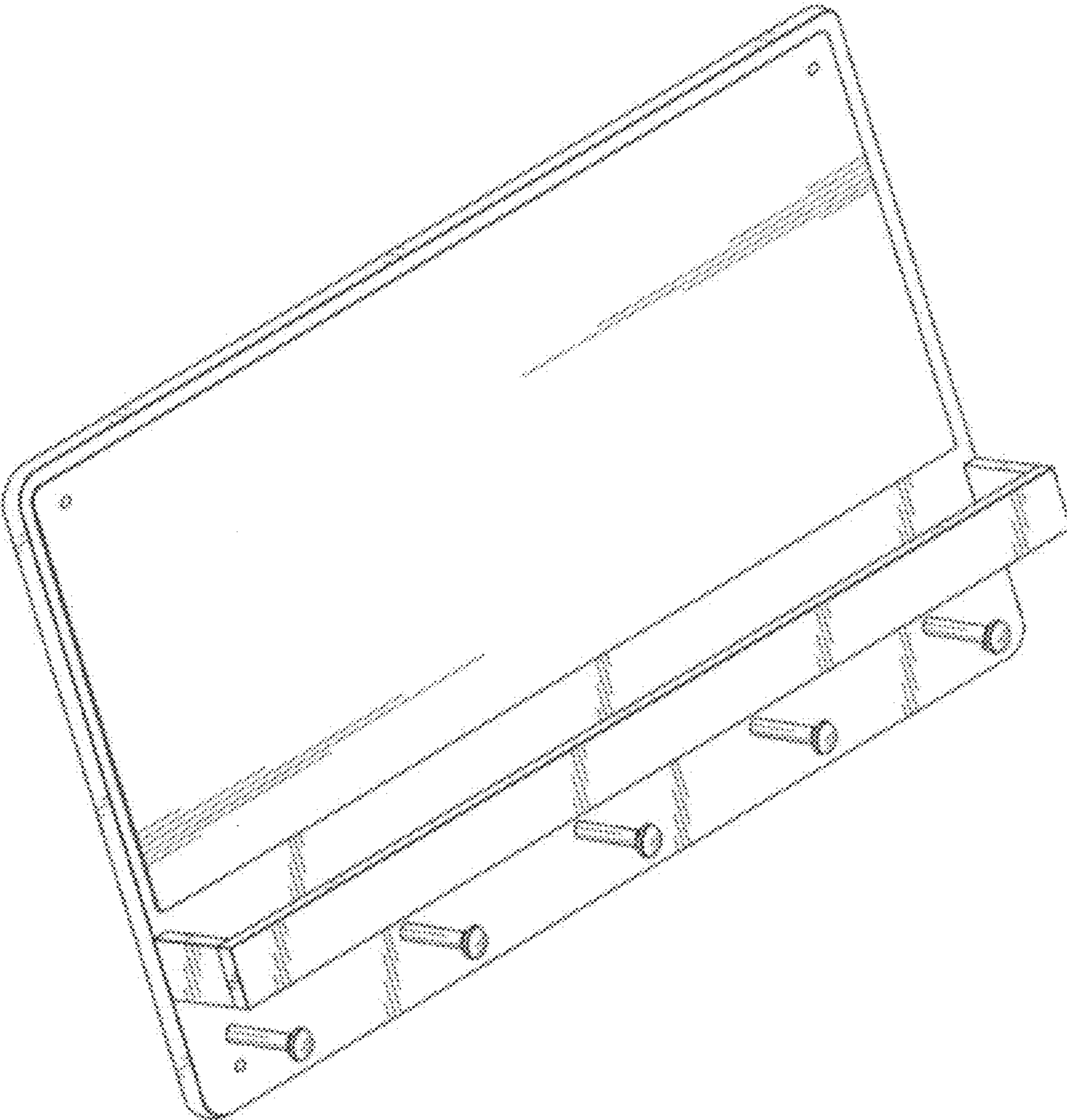


FIG. 1

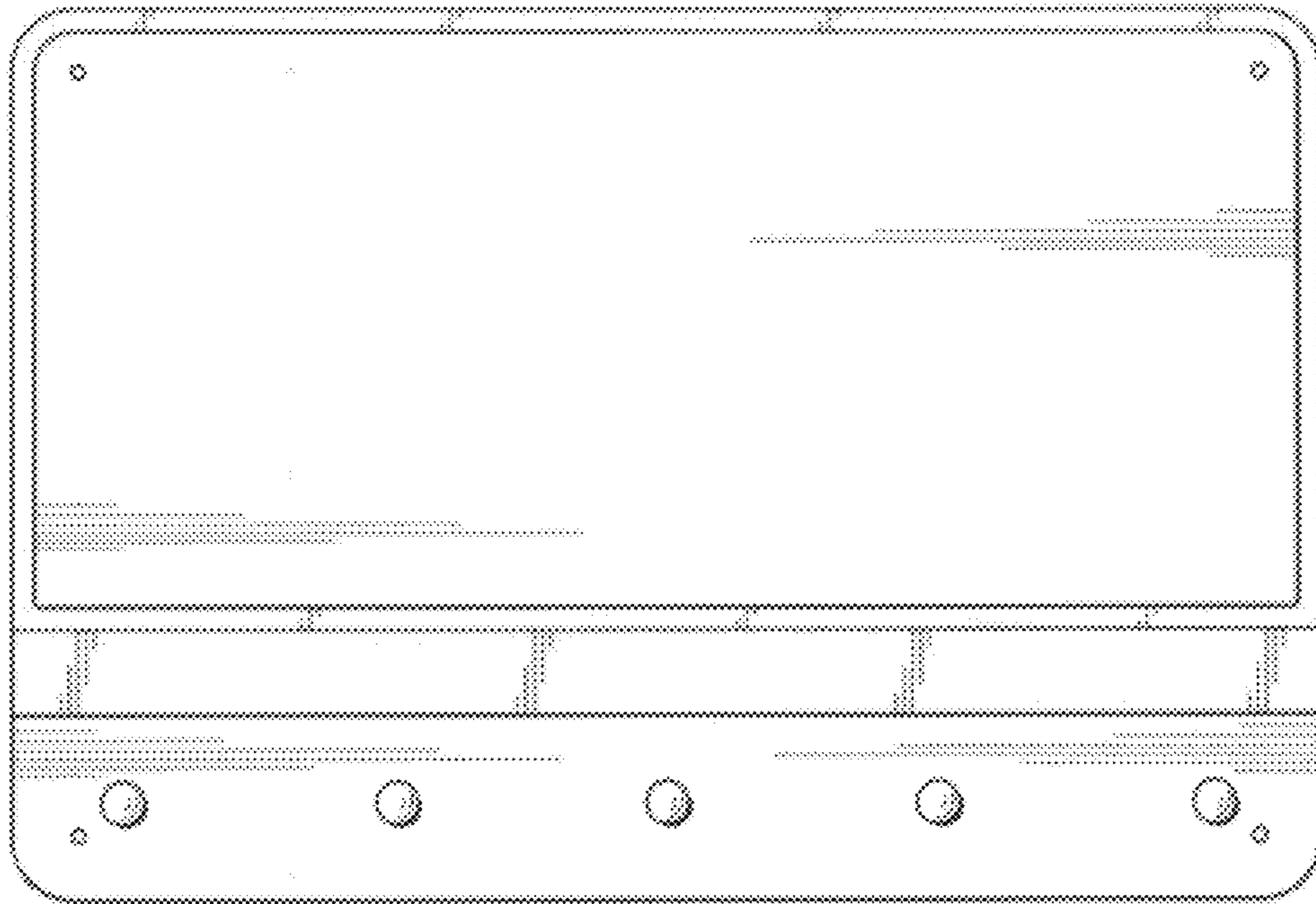


FIG. 2

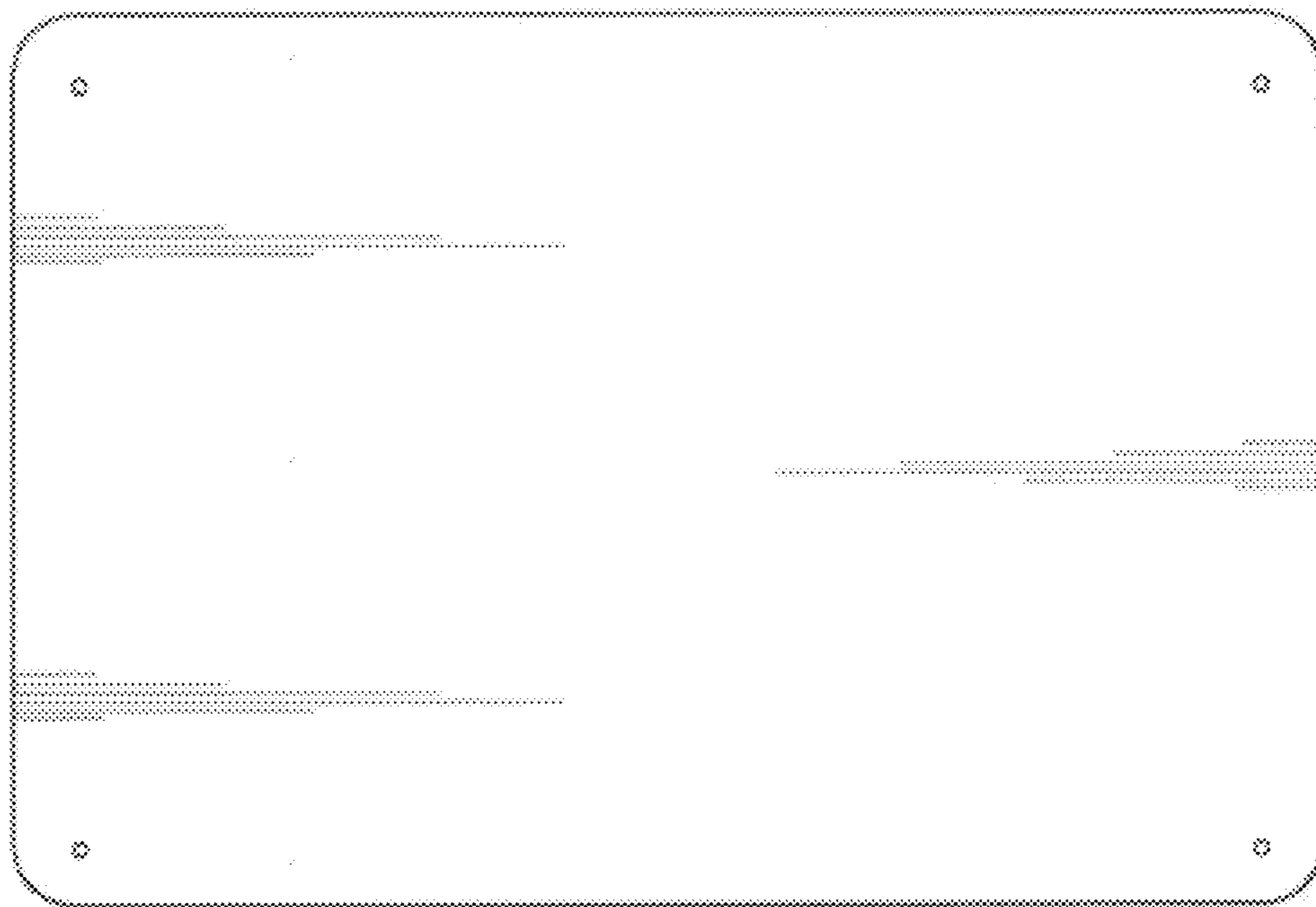


FIG. 3

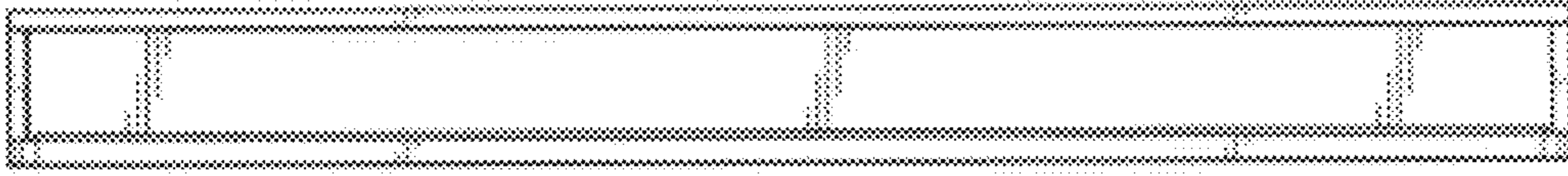


FIG. 4

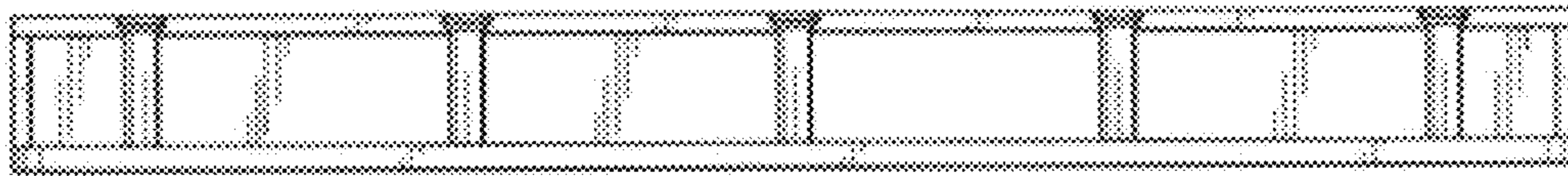


FIG. 5

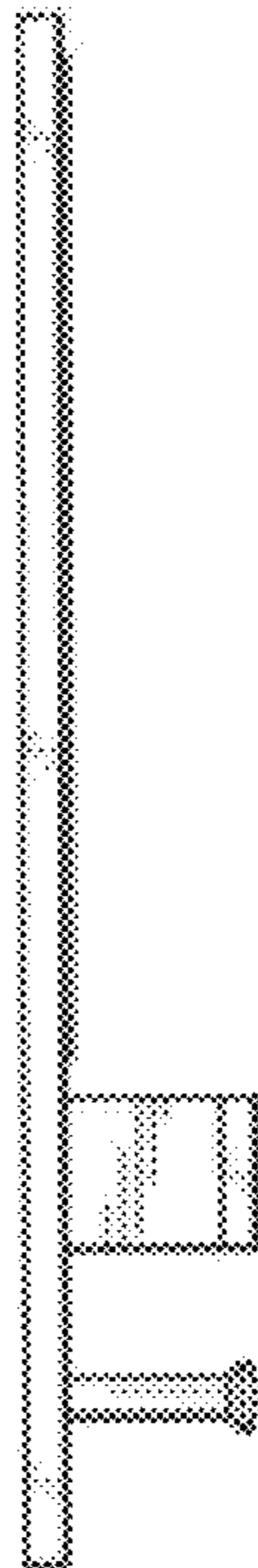


FIG. 6