

US00D673403S

(12) **United States Design Patent**  
**McDonald et al.**

(10) **Patent No.:** **US D673,403 S**

(45) **Date of Patent:** **\*\* Jan. 1, 2013**

(54) **COUNTERTOP DISPENSER TRAY**

(75) Inventors: **Gregory John McDonald**, Oakville  
(CA); **Donald John MacIntosh**, Guelph  
(CA)

(73) Assignee: **Mars, Incorporated**, McLean, VA (US)

(\*\*) Term: **14 Years**

(21) Appl. No.: **29/392,526**

(22) Filed: **May 23, 2011**

(30) **Foreign Application Priority Data**

Nov. 24, 2010 (CA) ..... 138070

(51) **LOC (9) Cl.** ..... **20-02**

(52) **U.S. Cl.** ..... **D6/517**

(58) **Field of Classification Search** ..... D6/515-523;  
206/225, 233, 389, 391; 211/13.1; 222/173,  
222/180; 221/26, 33, 282-283, 61; 242/270,  
242/590; 248/309.1, 309.2, 905; 225/106

See application file for complete search history.

(56) **References Cited**

**U.S. PATENT DOCUMENTS**

D249,764 S \* 10/1978 Burklacich ..... D6/517  
D258,777 S \* 4/1981 Kailey ..... D6/517  
D419,804 S \* 2/2000 Reitman ..... D6/517

D430,423 S \* 9/2000 Sicignano, III ..... D6/517  
D459,927 S \* 7/2002 Flowers et al. .... D6/517  
D640,077 S \* 6/2011 Jensen et al. .... D6/517

\* cited by examiner

*Primary Examiner* — Brian N Vinson

(74) *Attorney, Agent, or Firm* — Arent Fox LLP

(57) **CLAIM**

The ornamental design for a countertop dispenser tray, as shown and described.

**DESCRIPTION**

FIG. 1 is a front perspective view of a countertop dispenser tray showing our new design;

FIG. 2 is a rear perspective view of the design shown in FIG. 1;

FIG. 3 is a left side view of the design shown in FIG. 1, the right side view being a mirror image thereof;

FIG. 4 is a rear view of the design shown in FIG. 1;

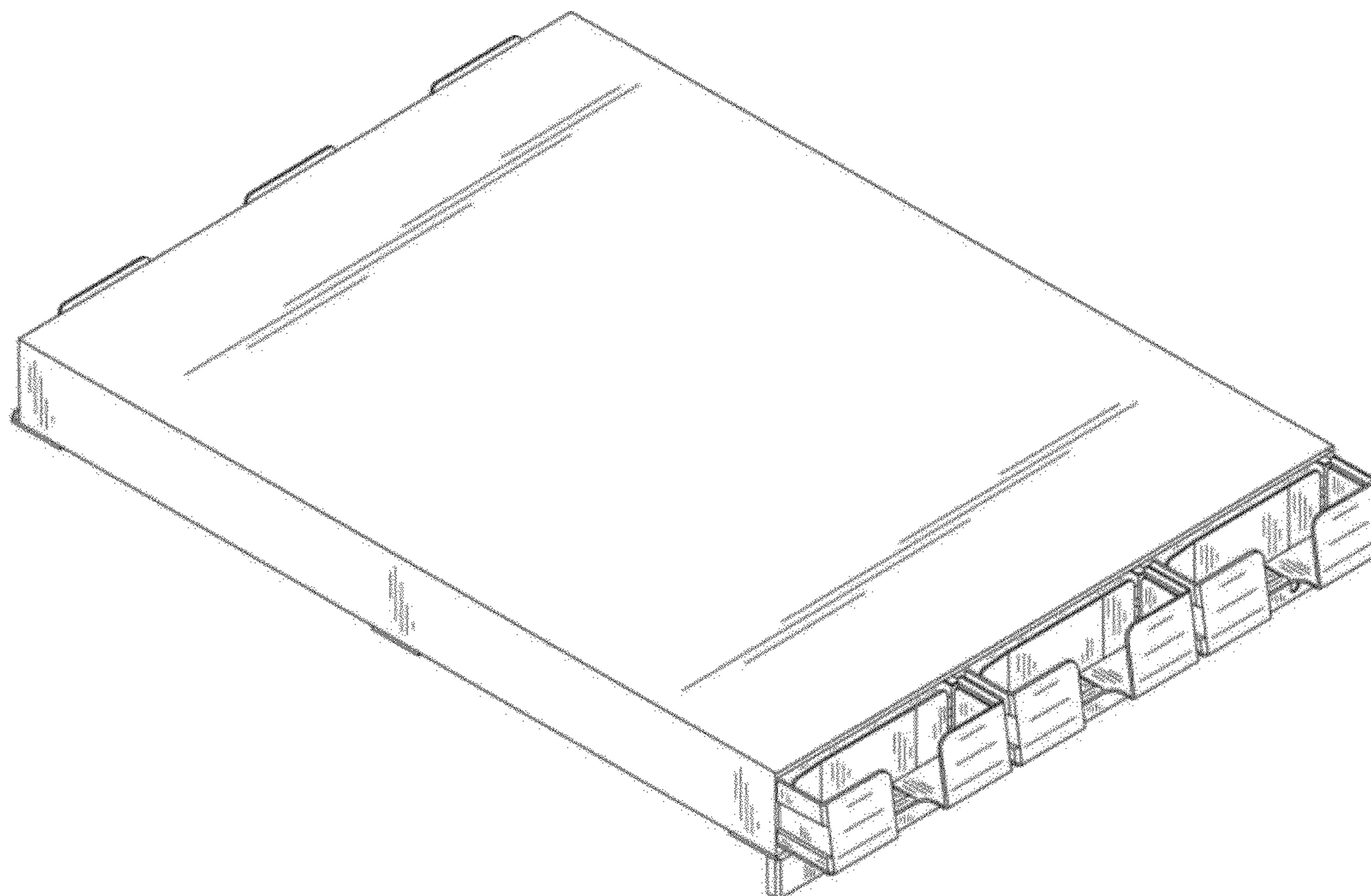
FIG. 5 is a front view of the design shown in FIG. 1;

FIG. 6 is a top plan view of the design shown in FIG. 1; and,

FIG. 7 is a bottom plan view of the design shown in FIG. 1.

The broken line disclosure in the views represents unclaimed portions of the article in which the claimed design is embodied.

**1 Claim, 5 Drawing Sheets**



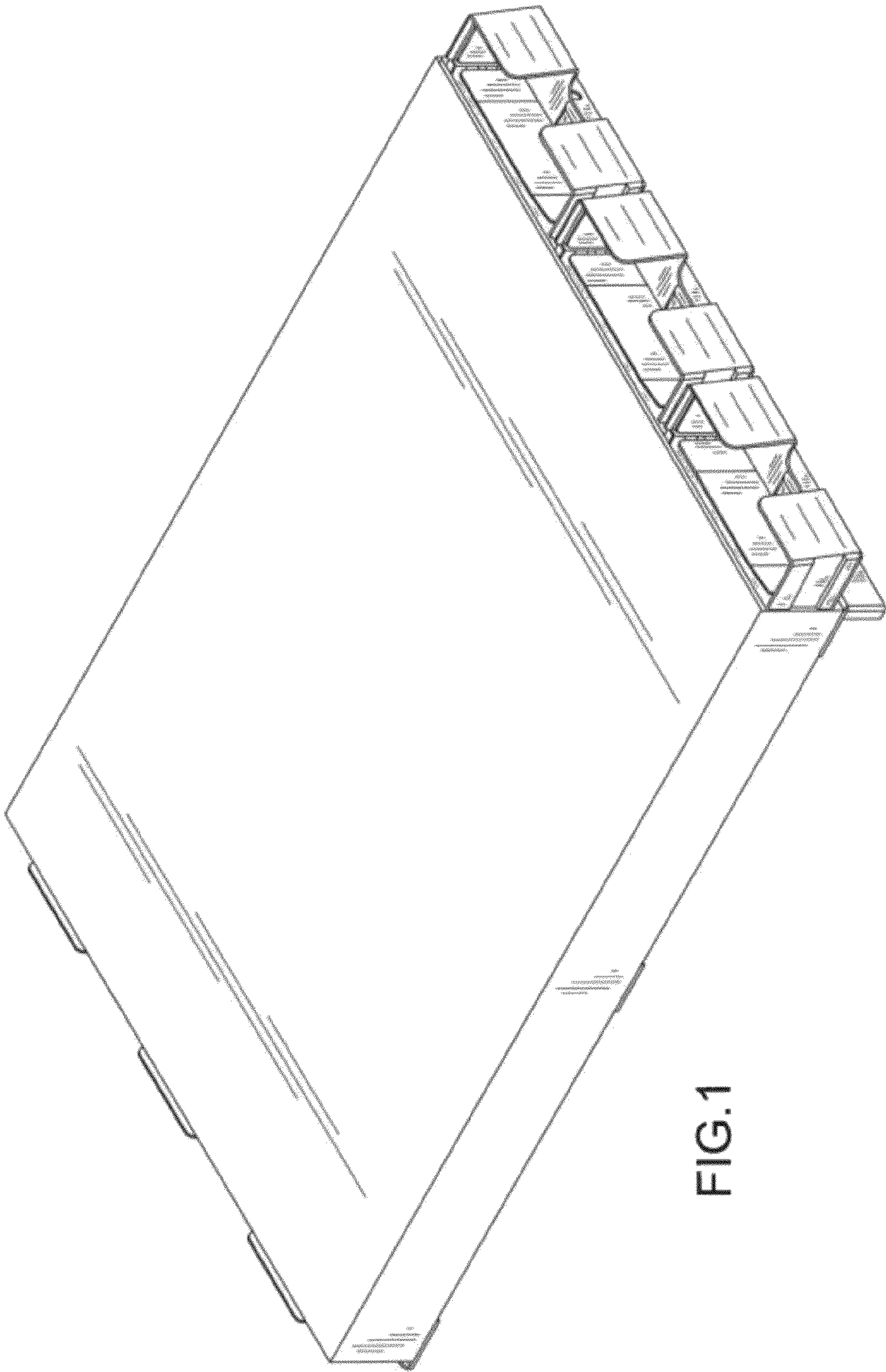


FIG. 1



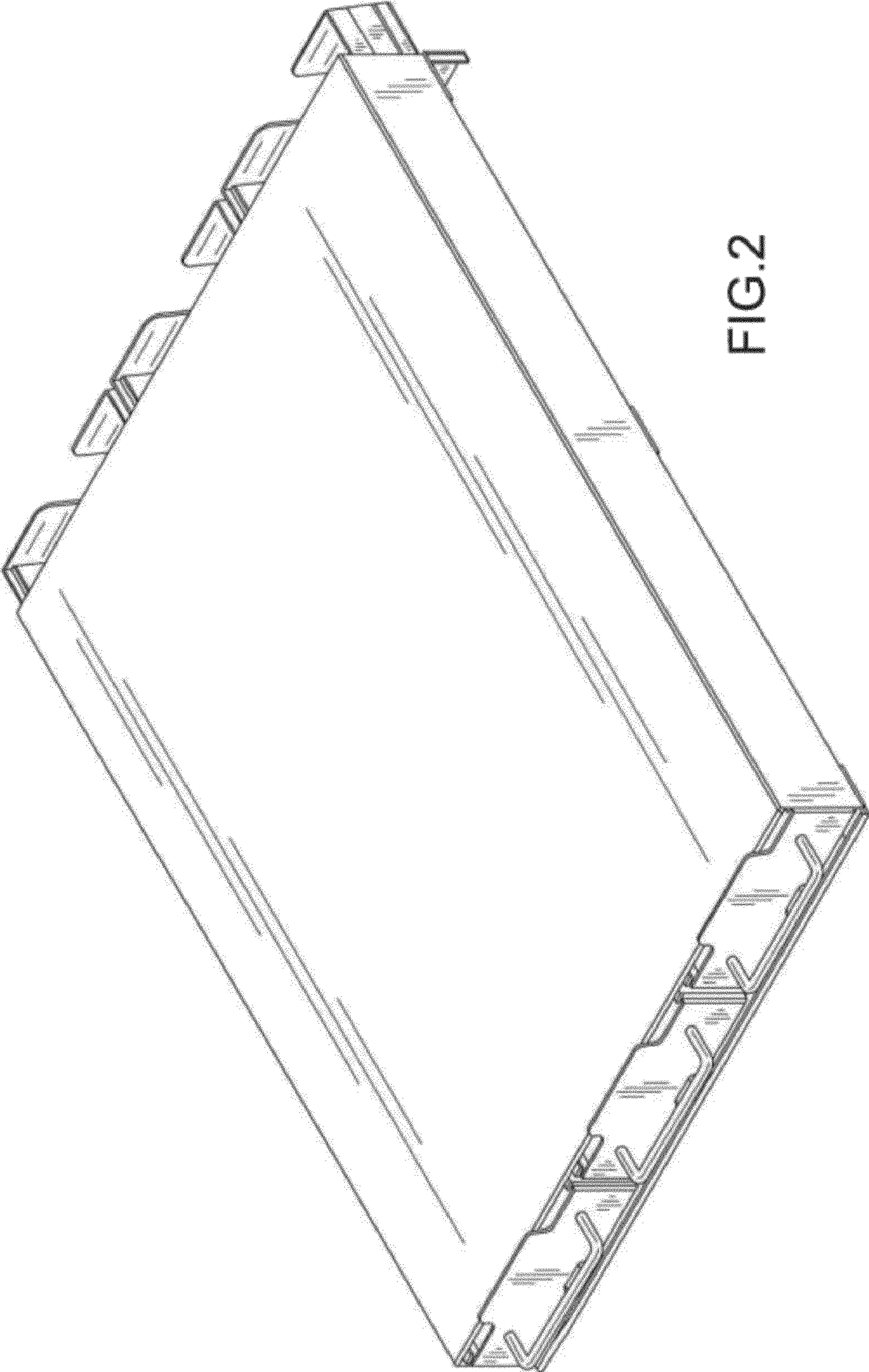


FIG.2



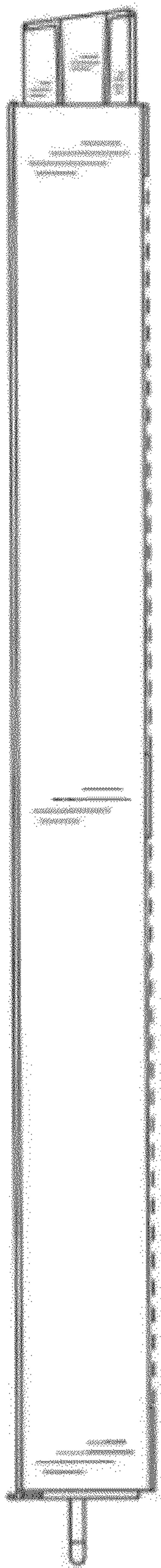


FIG. 3

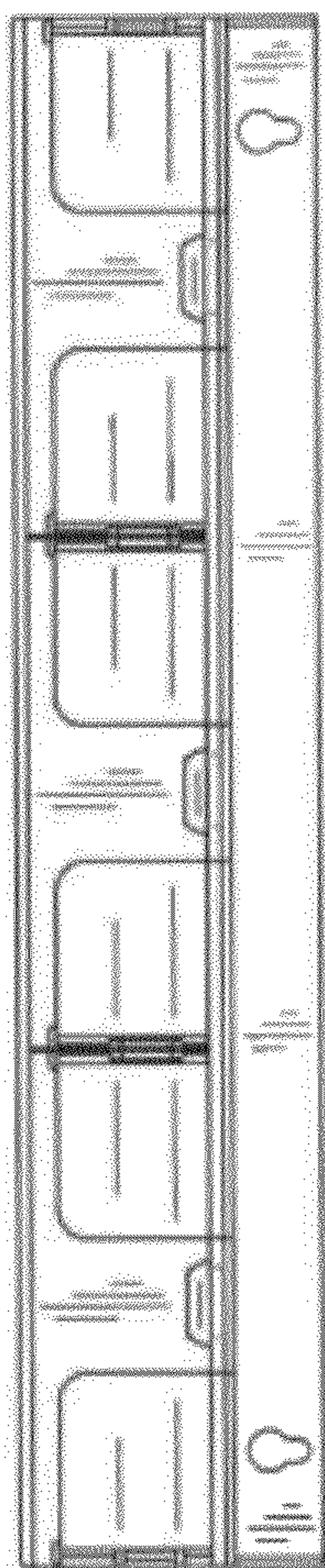


FIG. 4

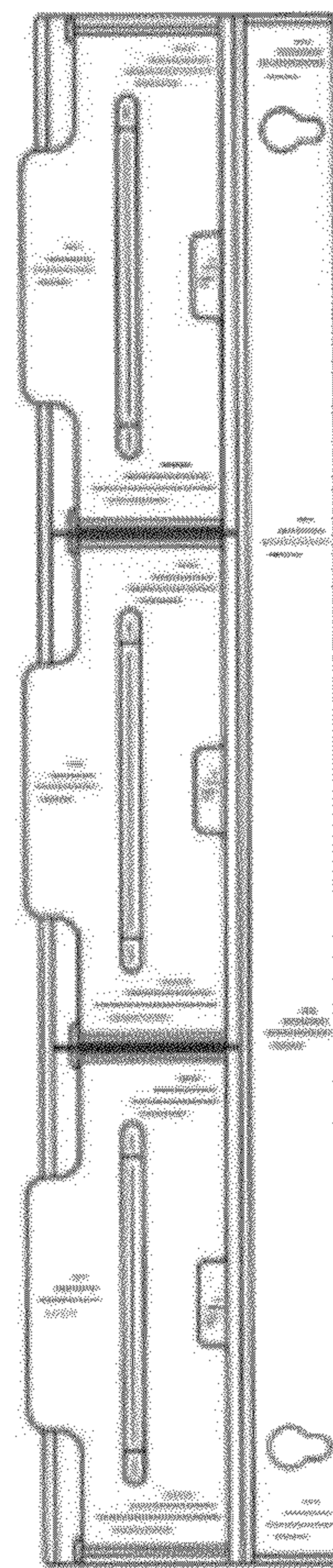


FIG. 5

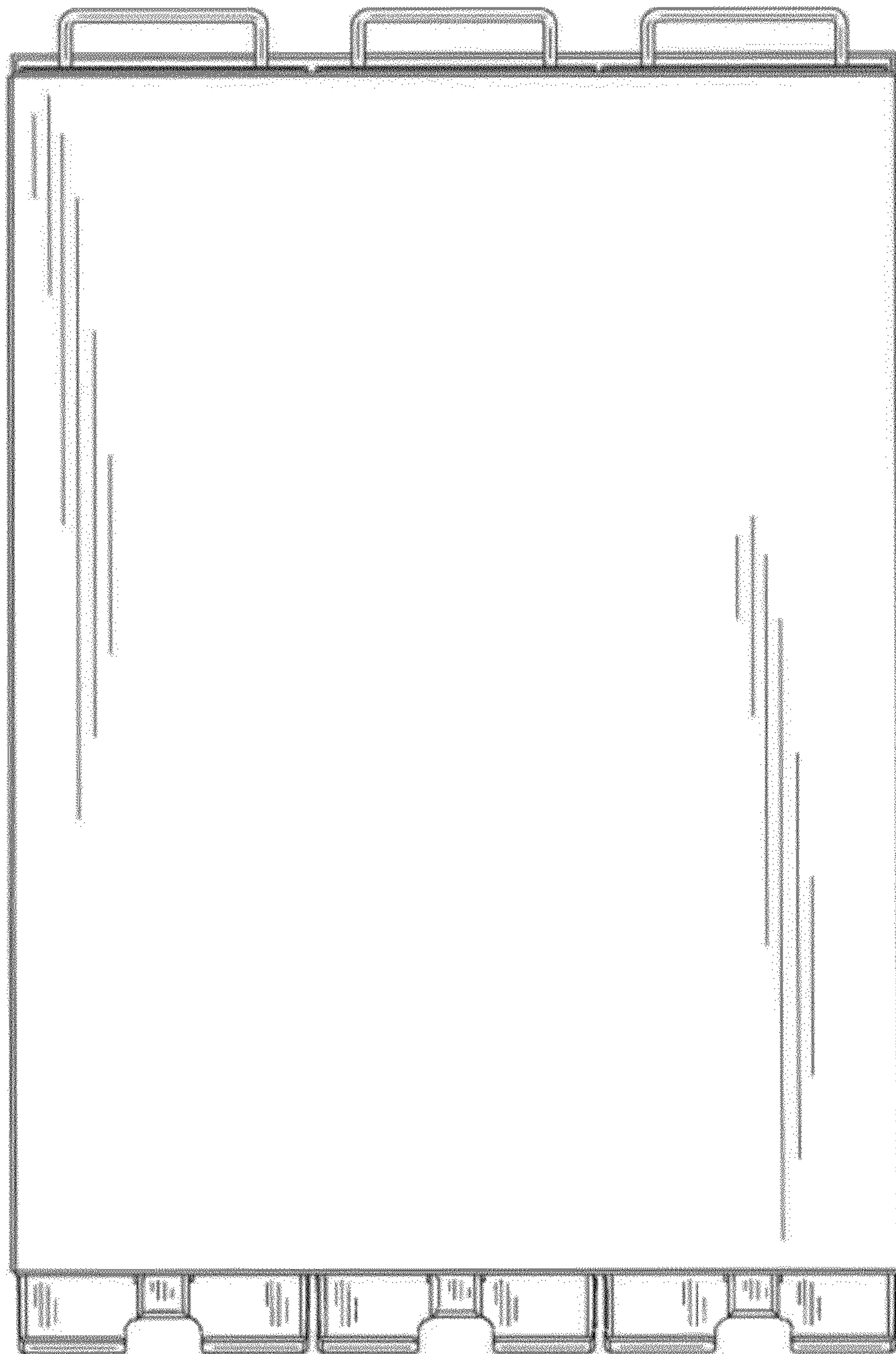


FIG. 6



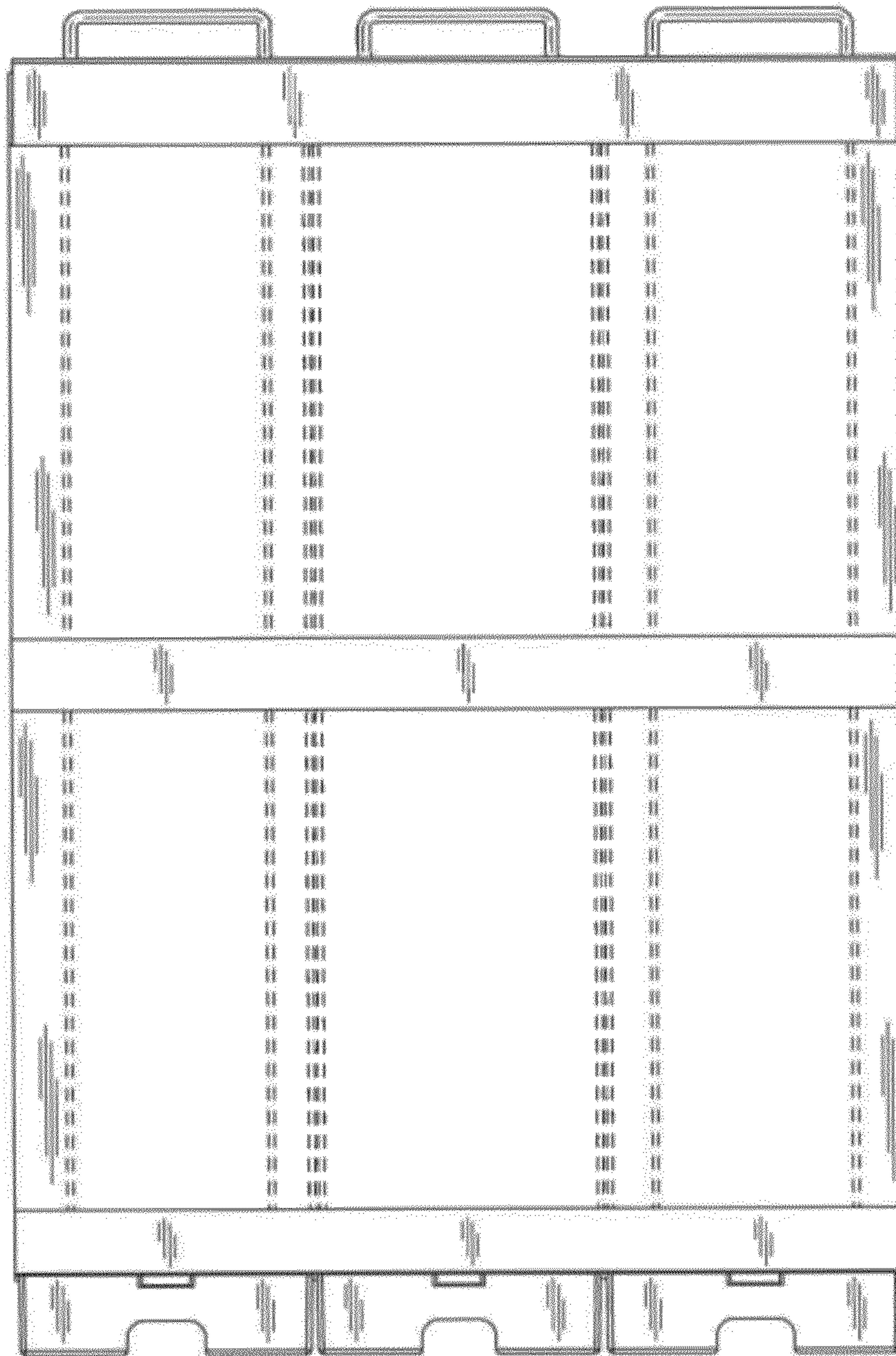


FIG.7