



US00D673402S

(12) **United States Design Patent**
Kuzyk

(10) **Patent No.:** **US D673,402 S**
(45) **Date of Patent:** **** Jan. 1, 2013**

(54) **PANEL**
(75) **Inventor:** **Andrew William Kuzyk**, Toronto (CA)
(73) **Assignee:** **Entro Inc.**, Toronto (CA)
(**) **Term:** **14 Years**
(21) **Appl. No.:** **29/388,327**

5,390,462 A 2/1995 Kreiter
D372,939 S 8/1996 Callas
D390,732 S * 2/1998 Nadar D6/509
D391,101 S * 2/1998 Robertson D6/509
D399,010 S 9/1998 Current
D401,451 S * 11/1998 Sherman D6/467
D414,567 S 9/1999 Burt et al.
D438,030 S * 2/2001 Riga D6/477
6,199,705 B1 * 3/2001 Portner 211/26

(Continued)

(22) **Filed:** **Mar. 28, 2011**
(51) **LOC (9) Cl.** **06-04**
(52) **U.S. Cl.** **D6/509**
(58) **Field of Classification Search** D6/466,
D6/467, 509, 396, 468, 477; 211/94.01,
211/94.02, 189; D25/138, 125
See application file for complete search history.

FOREIGN PATENT DOCUMENTS

FR 2206921 A1 6/1974
(Continued)

Primary Examiner — Doris Clark
(74) *Attorney, Agent, or Firm* — Michael G. Johnston;
Moore & Van Allen PLLC

(56) **References Cited**
U.S. PATENT DOCUMENTS

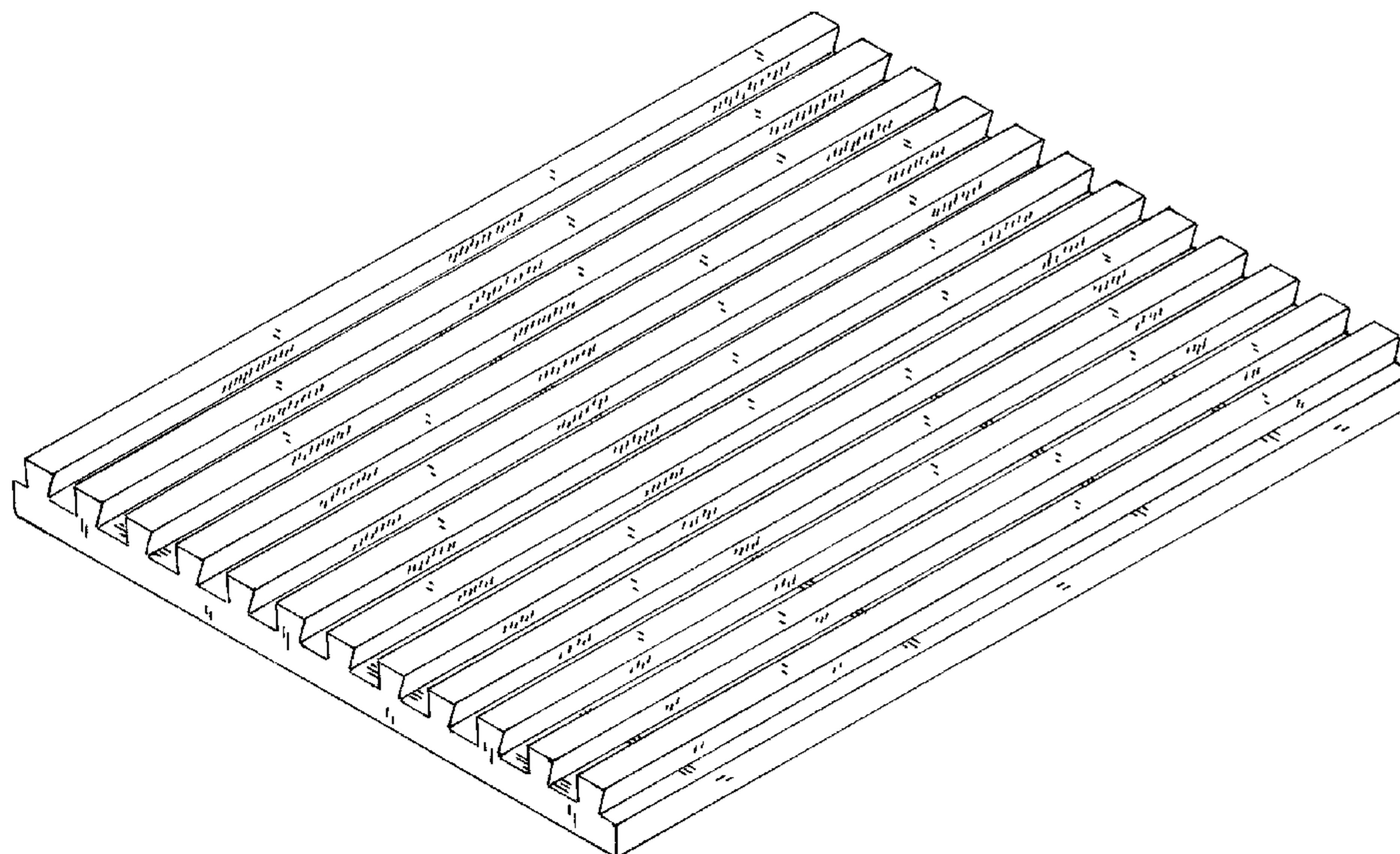
1,156,866 A 10/1915 Ford
1,658,937 A 2/1928 Nelson
2,323,049 A 6/1943 Johnson
D161,418 S 1/1951 Bunin
2,682,125 A 6/1954 Coffield
2,689,423 A 9/1954 Atkin
2,802,551 A 8/1957 Roberts
2,880,537 A 4/1959 Cygan
3,270,452 A 9/1966 D'Elia et al.
3,274,707 A 9/1966 Garden
3,339,301 A 9/1967 Doris et al.
3,470,640 A 10/1969 Knowles
3,722,120 A 3/1973 Finkel
4,184,277 A 1/1980 Larin
D257,047 S 9/1980 Stenersen
4,364,216 A 12/1982 Koller
D279,449 S 7/1985 Finger, Jr.
4,589,557 A 5/1986 Bollmann
4,653,209 A 3/1987 Cobb
4,977,698 A 12/1990 Seggerson
5,029,406 A 7/1991 Hofman
D319,509 S 8/1991 Ogilvie
5,343,646 A 9/1994 Cobb et al.

(57) **CLAIM**
I claim the ornamental design for a panel, as shown and described.

DESCRIPTION

FIG. 1 is a front elevation view of a panel showing my new design.
FIG. 2 is a rear elevation view of the panel shown in FIG. 1 showing my new design.
FIG. 3 is a left side elevation view of the panel shown in FIG. 1 showing my new design.
FIG. 4 is a right side elevation view of the panel shown in FIG. 1 showing my new design.
FIG. 5 is a top plan view of the panel shown in FIG. 1 showing my new design.
FIG. 6 is a bottom plan view of the panel shown in FIG. 1 showing my new design; and,
FIG. 7 is a perspective view of the panel shown in FIG. 1 showing my new design.

1 Claim, 5 Drawing Sheets



US D673,402 S

Page 2

U.S. PATENT DOCUMENTS

6,325,223 B1 12/2001 Hannen
6,363,645 B1 4/2002 Hunter
D473,664 S 4/2003 Perkins et al.
D486,676 S * 2/2004 Campbell et al. D6/491
6,772,890 B2 * 8/2004 Campbell et al. 211/94.01
D511,581 S 11/2005 Holztrager
7,287,348 B2 10/2007 Harkins

2006/0101683 A1 5/2006 Baker
2007/0278168 A1 * 12/2007 Li 211/94.01
2008/0061018 A1 3/2008 Keller

FOREIGN PATENT DOCUMENTS

GB 2207853 A 2/1989
WO 9005354 5/1990

* cited by examiner

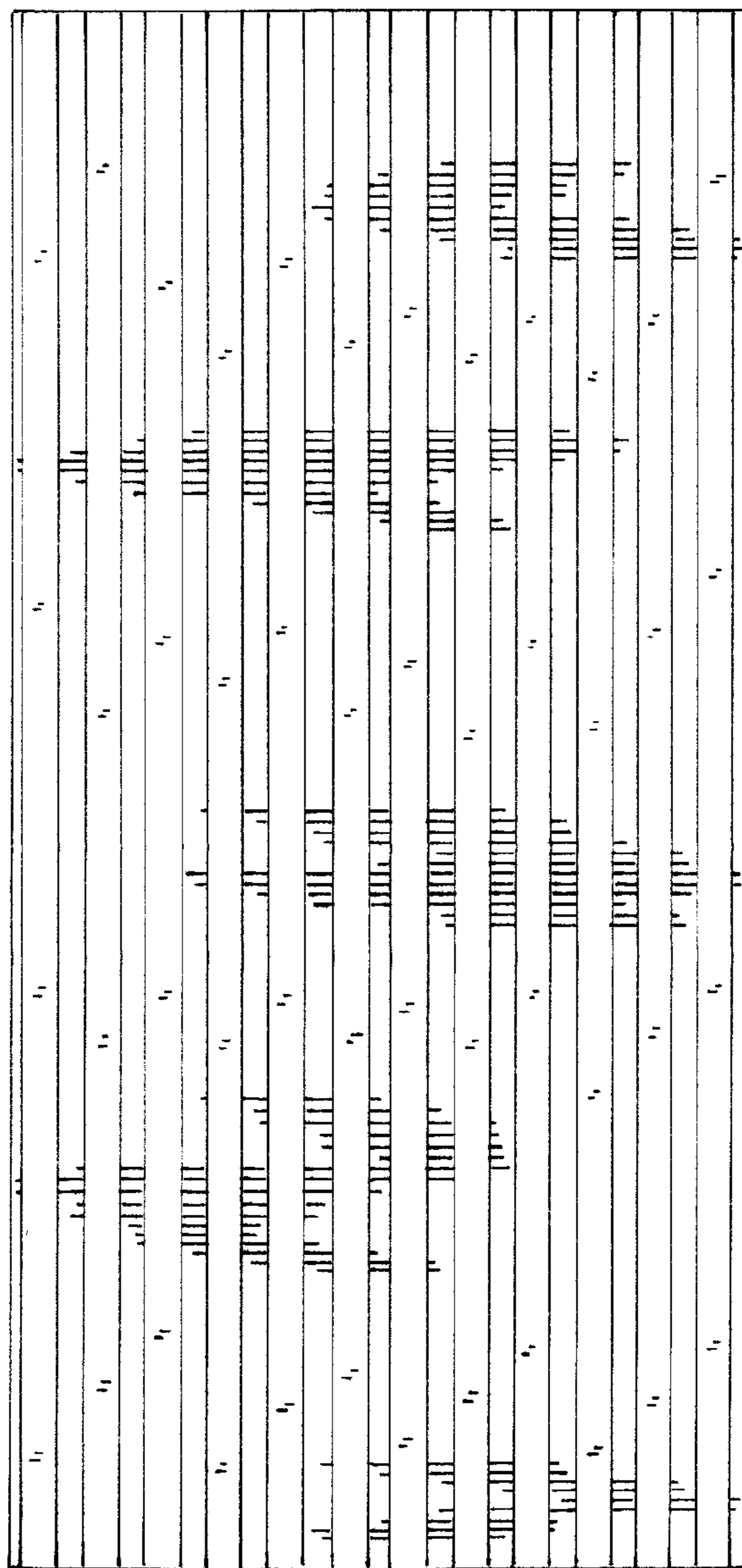


FIG. 1

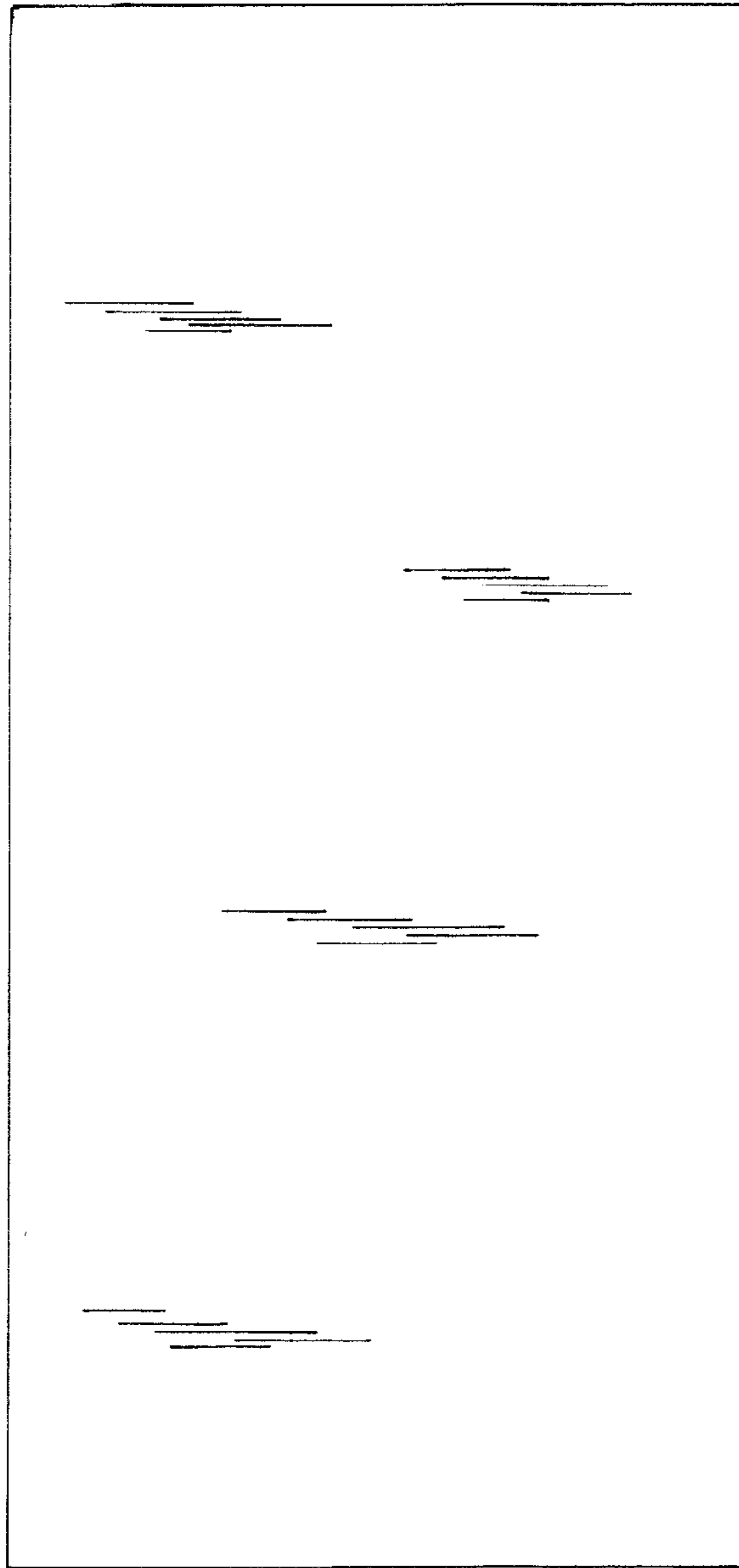


FIG. 2



FIG. 3

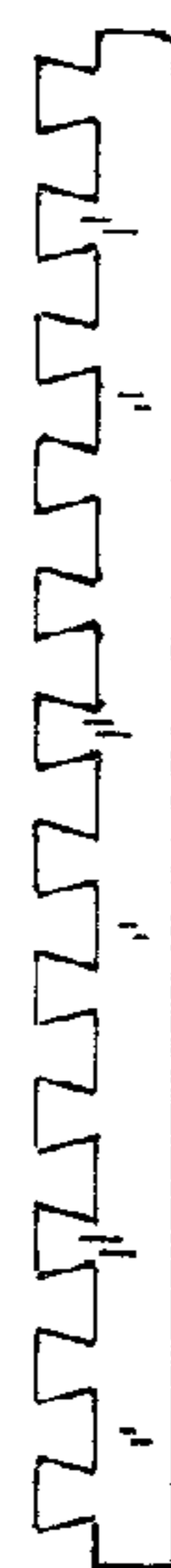


FIG. 4

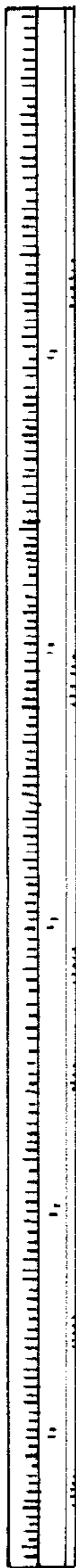


FIG. 5



FIG. 6

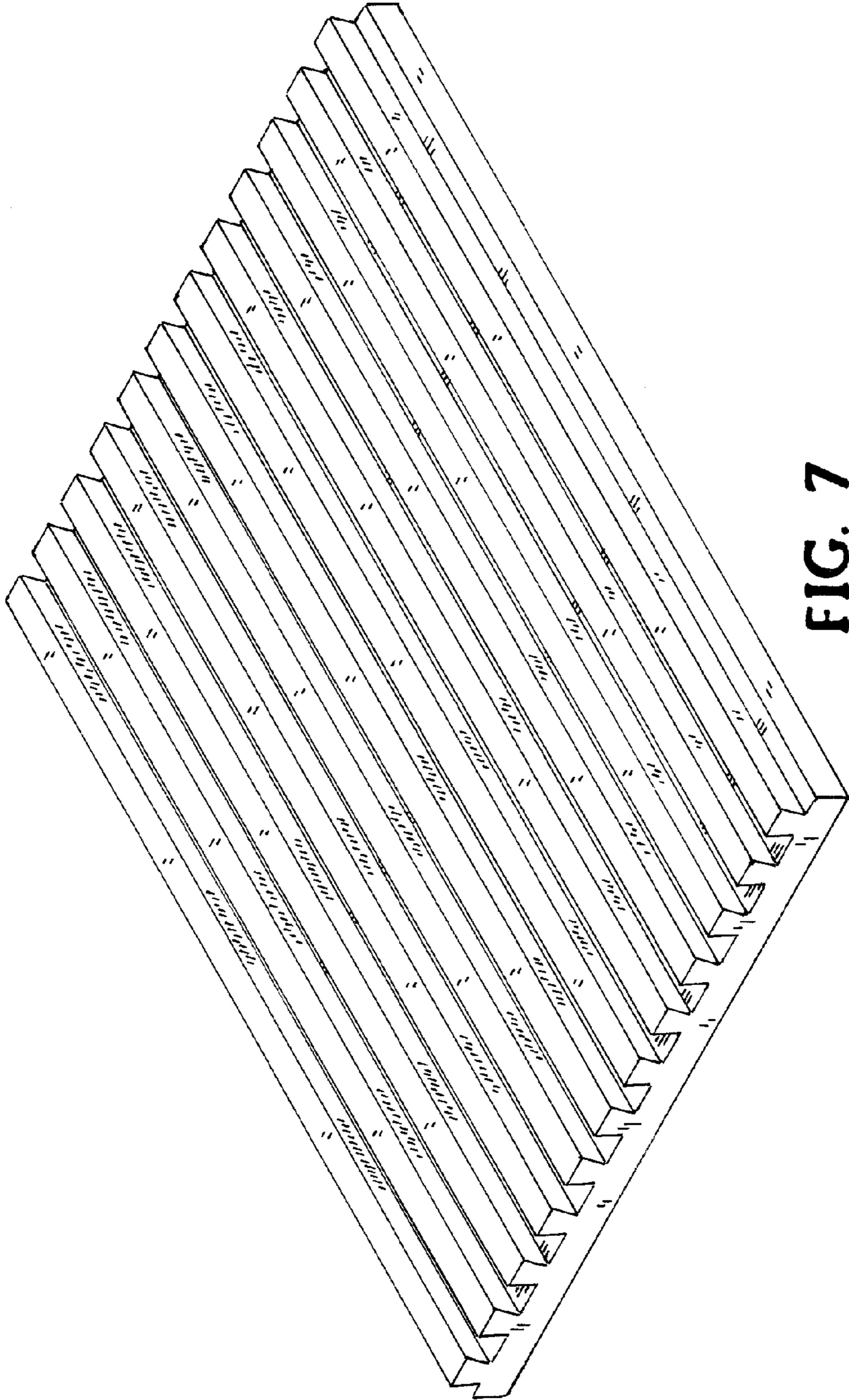


FIG. 7