



US00D673400S

(12) **United States Design Patent**
Chen

(10) **Patent No.:** **US D673,400 S**

(45) **Date of Patent:** **** Jan. 1, 2013**

(54) **CHAIR BACK**

(76) Inventor: **Min Chen**, Shenzhen (CN)

(**) Term: **14 Years**

(21) Appl. No.: **29/404,716**

(22) Filed: **Oct. 25, 2011**

(51) **LOC (9) Cl.** **06-01**

(52) **U.S. Cl.** **D6/502**

(58) **Field of Classification Search** D6/334-336,
D6/364, 365, 366, 367, 374, 379, 380, 500-502;
297/284.4, 452.13, 452.18, 452.21, 452.29,
297/452.3, 452.56, 463.1

See application file for complete search history.

D654,709 S * 2/2012 Fujita D6/366
D654,710 S * 2/2012 Fujita D6/366
D654,711 S * 2/2012 Fujita D6/366
D661,506 S * 6/2012 Ou D6/366

* cited by examiner

Primary Examiner — Mimoso De

(74) *Attorney, Agent, or Firm* — Wolf, Greenfield & Sacks,
P.C.

(57) **CLAIM**

The ornamental design for chair back, as shown and described.

DESCRIPTION

FIG. 1 is a rear view of the chair back shown in use;

FIG. 2 is a perspective view;

FIG. 3 is a front view;

FIG. 4 is a back view;

FIG. 5 is a left side view;

FIG. 6 is a top plan view; and,

FIG. 7 is a bottom plan view.

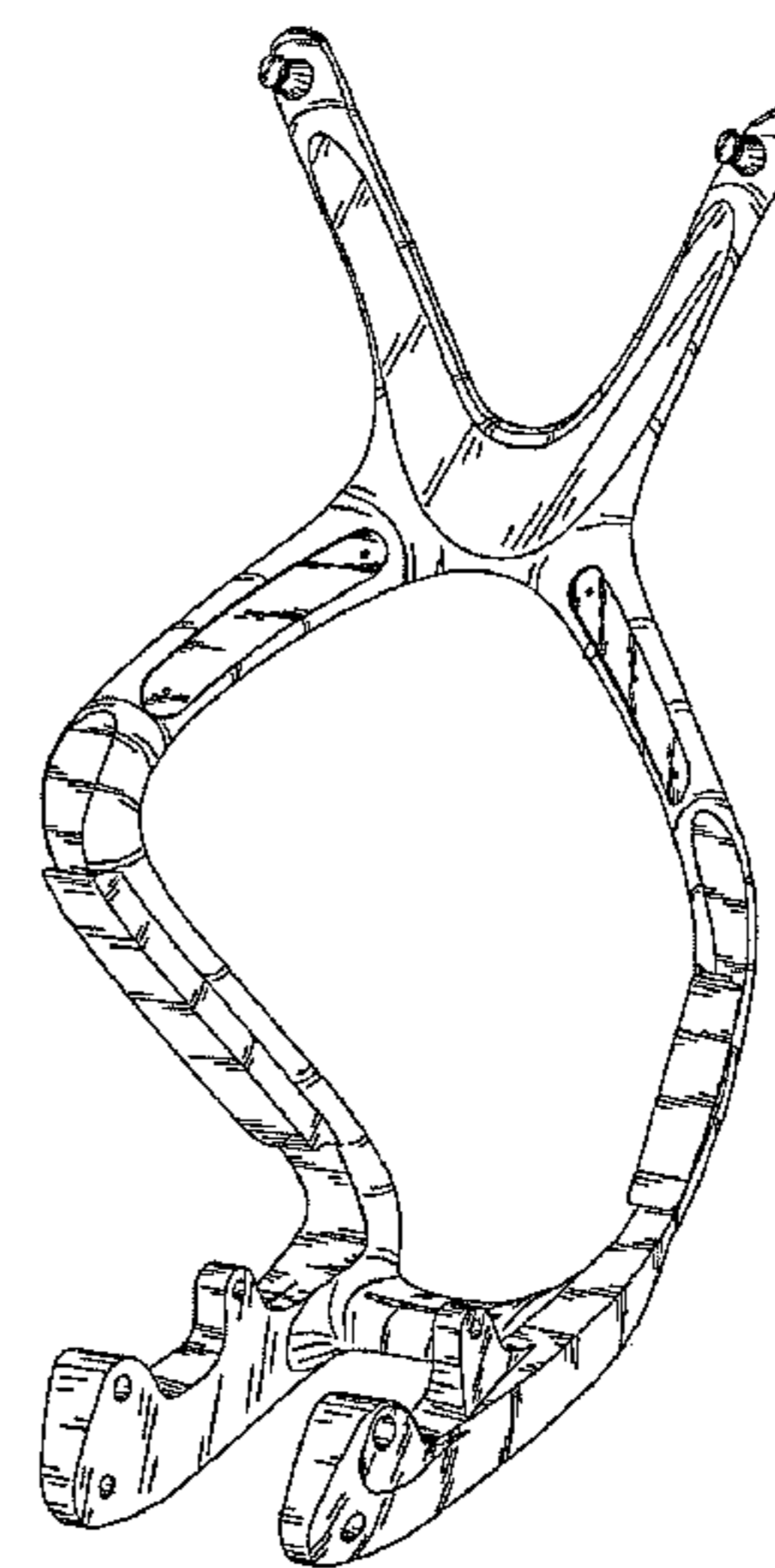
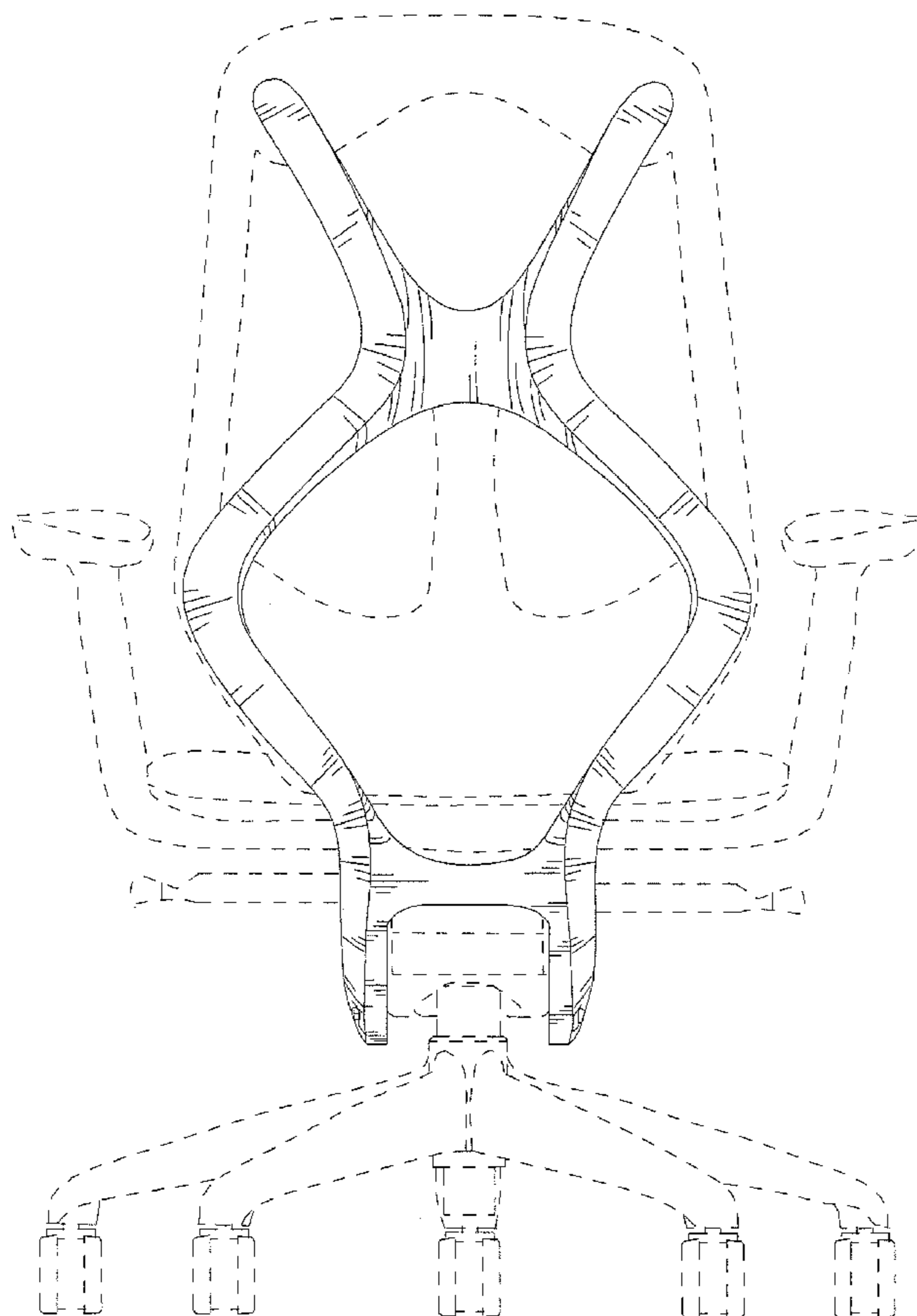
The broken lines shown are included for illustrative purposes only form no part of the claimed design.

1 Claim, 7 Drawing Sheets

(56) **References Cited**

U.S. PATENT DOCUMENTS

D548,992 S *	8/2007	Koepke et al.	D6/366
D558,994 S *	1/2008	Machael et al.	D6/366
D585,205 S *	1/2009	Wen	D6/366
D645,683 S *	9/2011	Chen	D6/502
D645,684 S *	9/2011	Chen	D6/502
D646,092 S *	10/2011	Romero	D6/502
D652,223 S *	1/2012	Fujita	D6/366
D652,646 S *	1/2012	Fujita	D6/366
D654,280 S *	2/2012	Fujita	D6/366



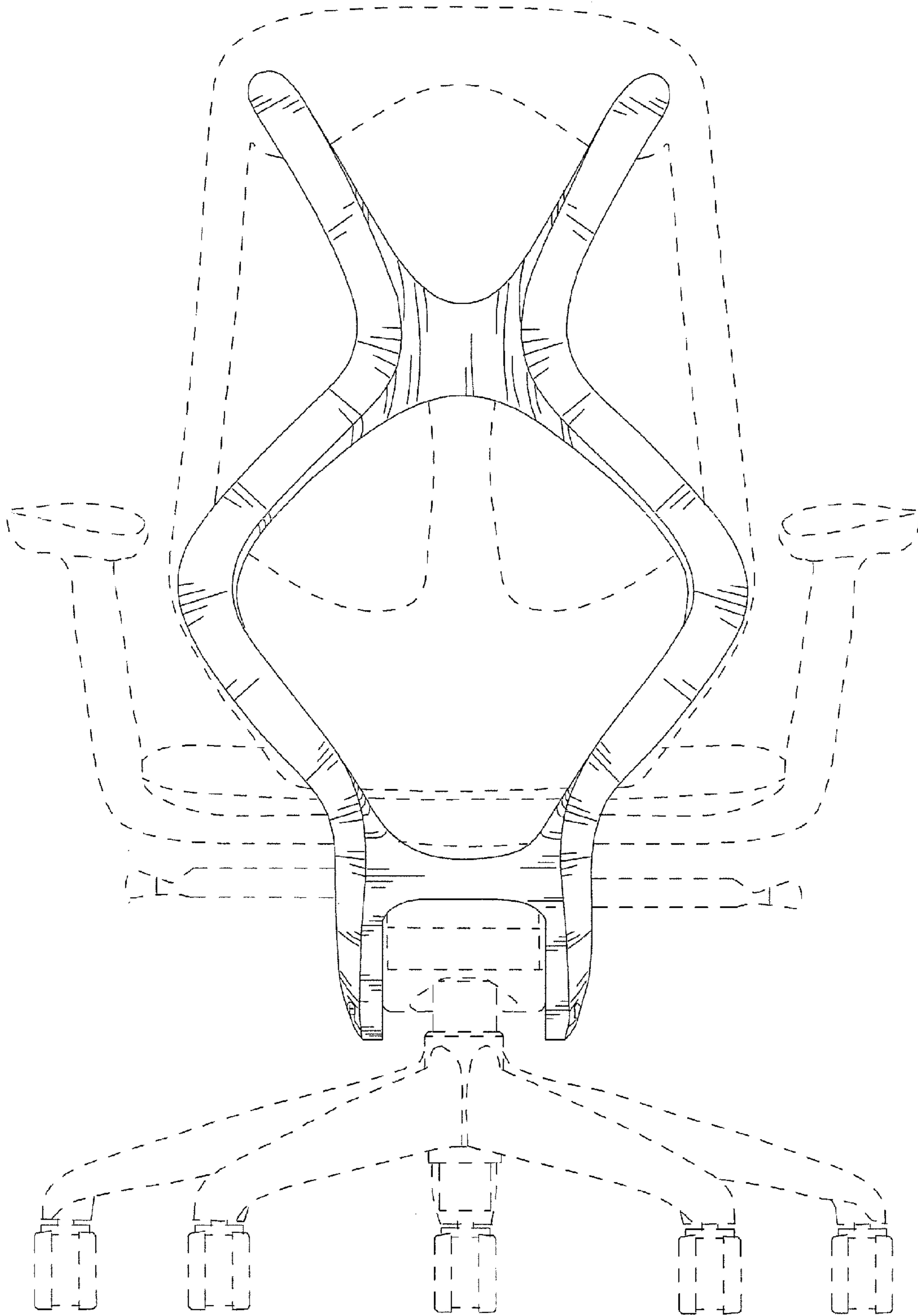


FIG.1

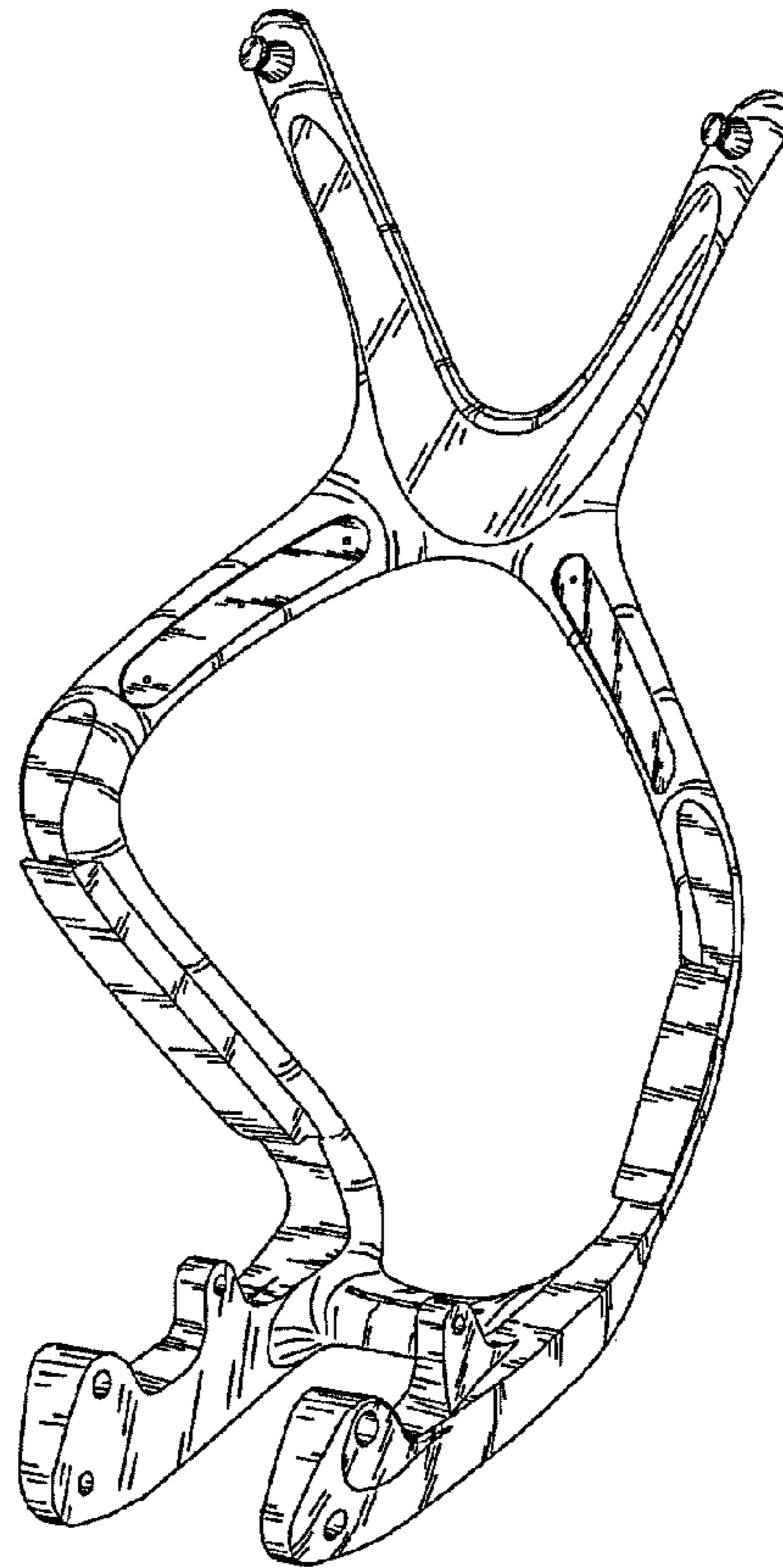


FIG. 2

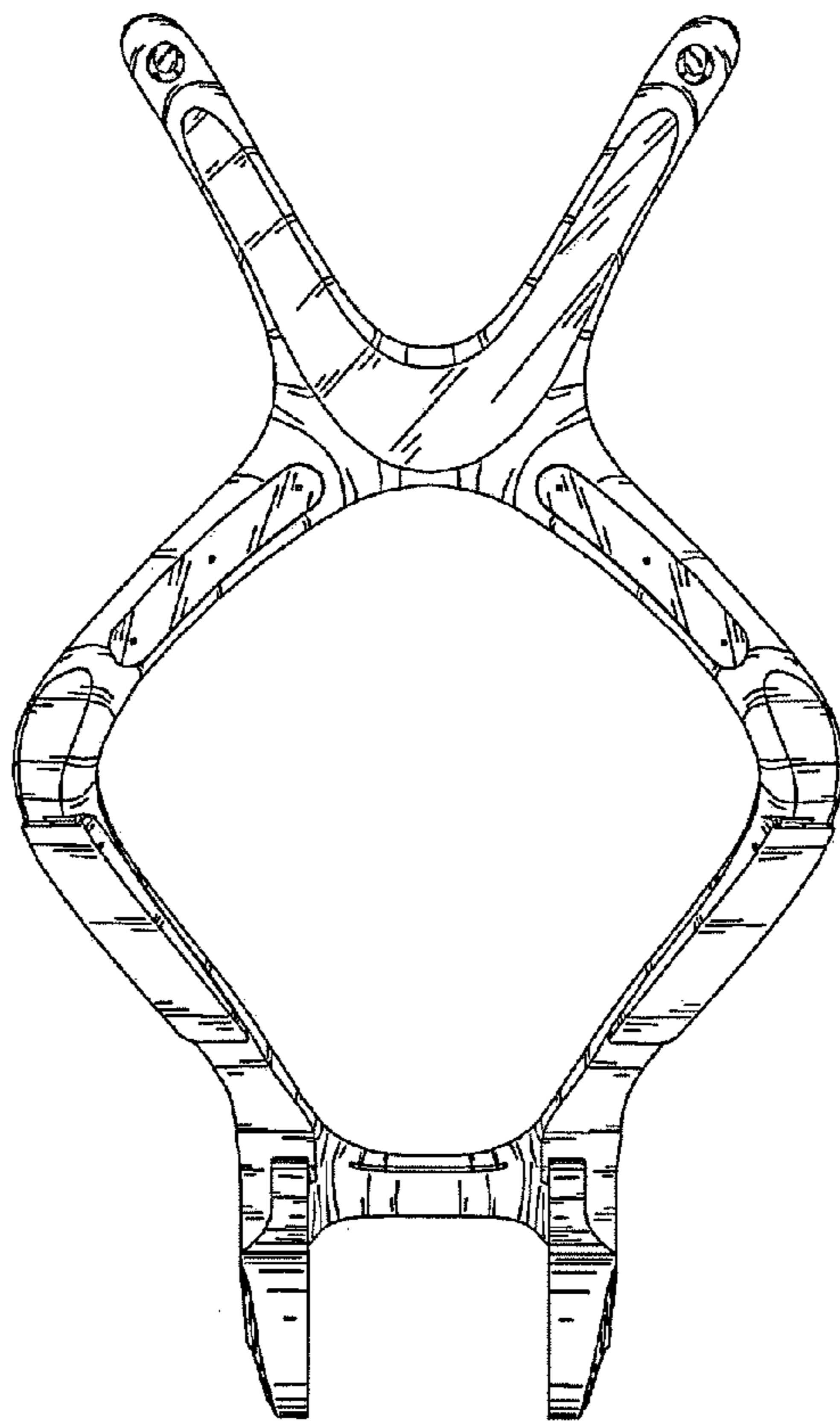


FIG. 3

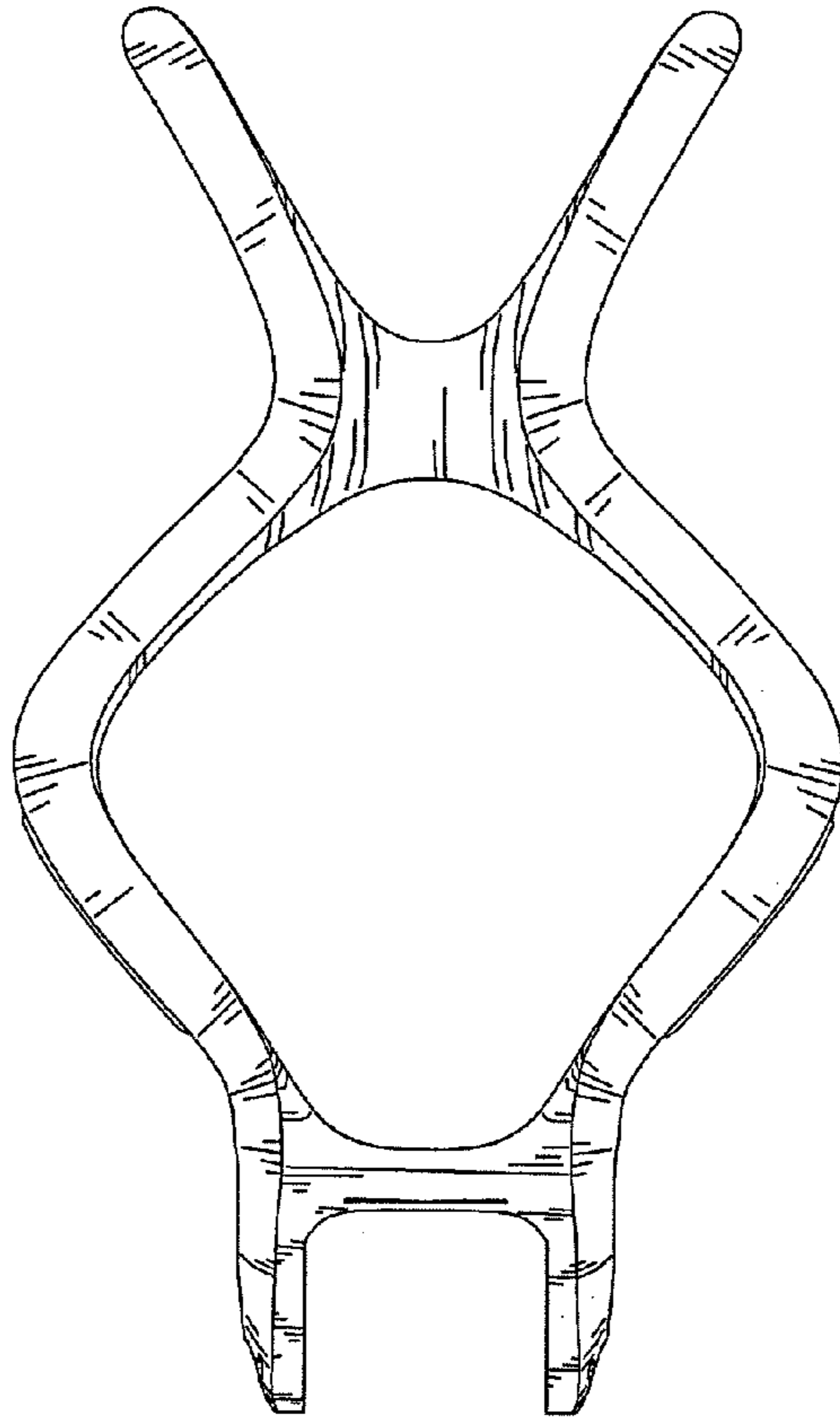


FIG. 4

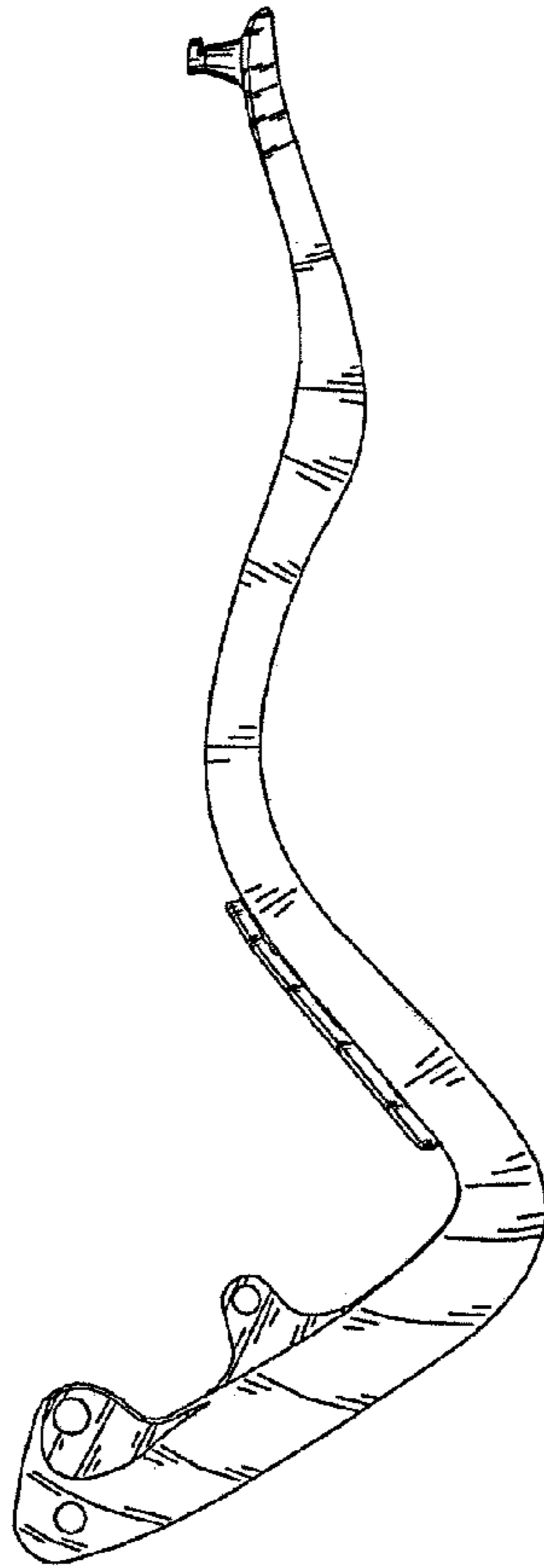


FIG. 5

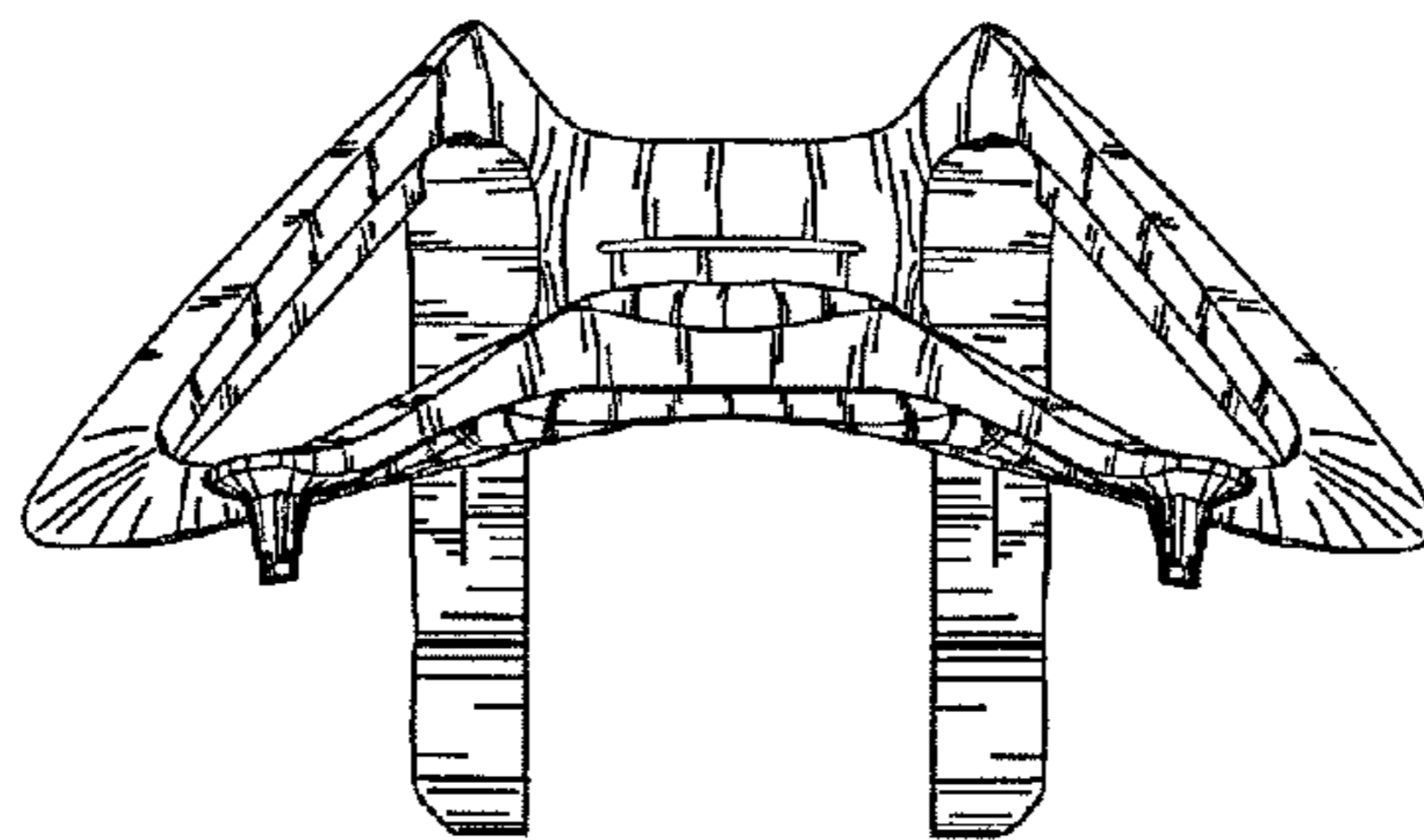


FIG. 6

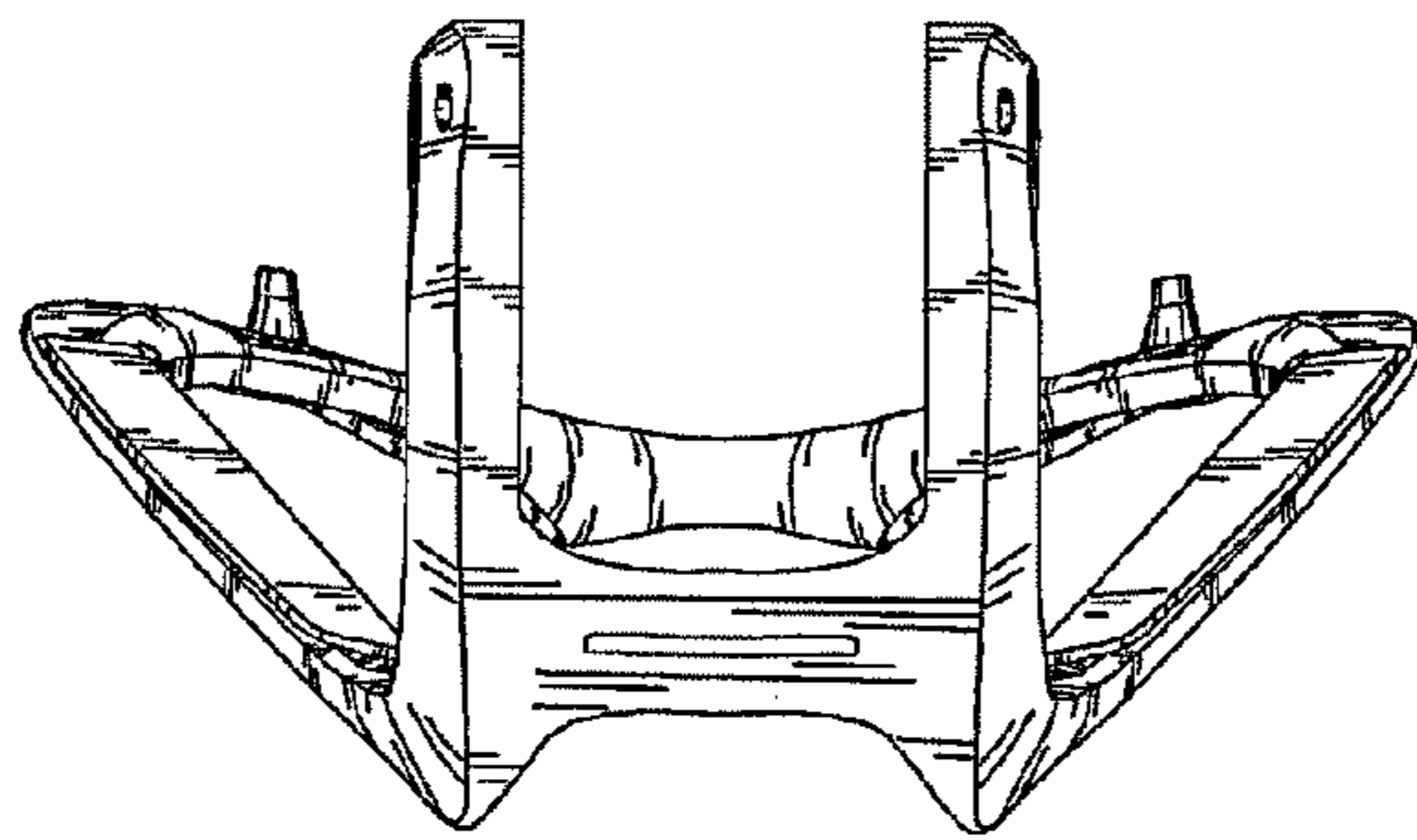


FIG. 7