



US00D673399S

(12) **United States Design Patent**
Gu

(10) **Patent No.:** **US D673,399 S**
(45) **Date of Patent:** **** Jan. 1, 2013**

(54) **SEATBACK FRAME**

(76) Inventor: **Xianbing Gu**, Tongzhou (CN)

(**) Term: **14 Years**

(21) Appl. No.: **29/404,115**

(22) Filed: **Oct. 17, 2011**

(30) **Foreign Application Priority Data**

Aug. 26, 2011 (CN) 2011 3 0297970

(51) **LOC (9) Cl.** **06-01**

(52) **U.S. Cl.** **D6/502**

(58) **Field of Classification Search** D6/334-336,
D6/364, 365, 366, 367, 369, 374, 379, 380,
D6/500-502; 297/284.4, 396, 452.13, 452.29,
297/452.3, 452.46, 452.56, 452.64
See application file for complete search history.

(56) **References Cited**

U.S. PATENT DOCUMENTS

6,843,530 B1 * 1/2005 Wu 297/284.4
D509,975 S * 9/2005 Pan D6/502
6,945,601 B1 * 9/2005 Wu 297/284.4

D510,671 S * 10/2005 Wu D6/502
D510,826 S * 10/2005 Pan D6/502
D543,717 S * 6/2007 Chen D6/366
D645,684 S * 9/2011 Chen D6/502
D661,506 S * 6/2012 Ou D6/366
D661,916 S * 6/2012 Chen D6/366

* cited by examiner

Primary Examiner — Mimoso De

(74) *Attorney, Agent, or Firm* — George D. Liu; Ronda IP Agent Co. Ltd

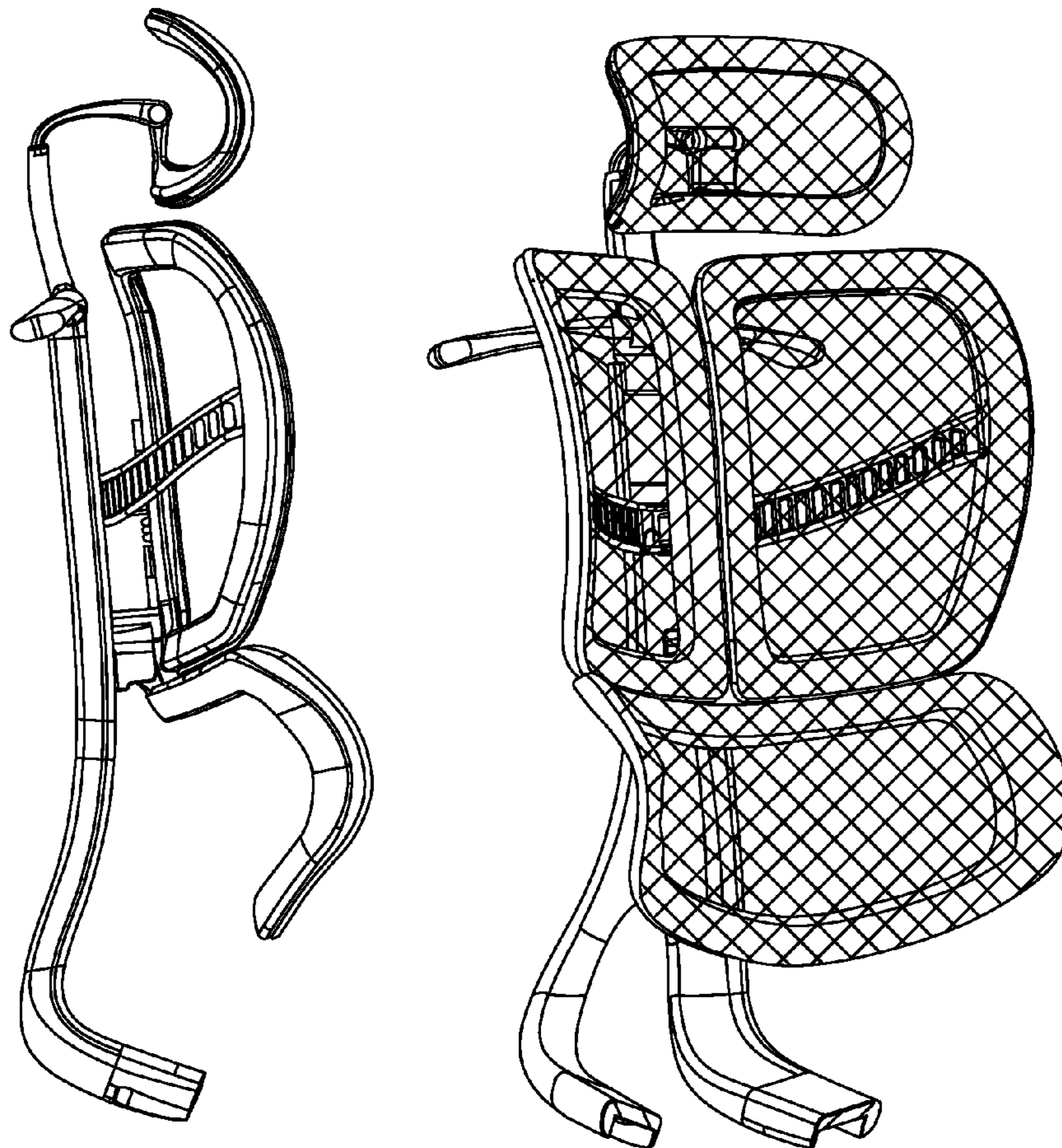
(57) **CLAIM**

The ornamental design for a seatback frame, as shown and described.

DESCRIPTION

FIG. 1 is a front view of the seatback frame;
FIG. 2 is a rear view of the seatback frame;
FIG. 3 is a left view of the seatback frame;
FIG. 4 is a right view of the seatback frame;
FIG. 5 is a top view of the seatback frame;
FIG. 6 is a bottom view of the seatback frame; and,
FIG. 7 is a perspective view of the seatback frame.

1 Claim, 6 Drawing Sheets



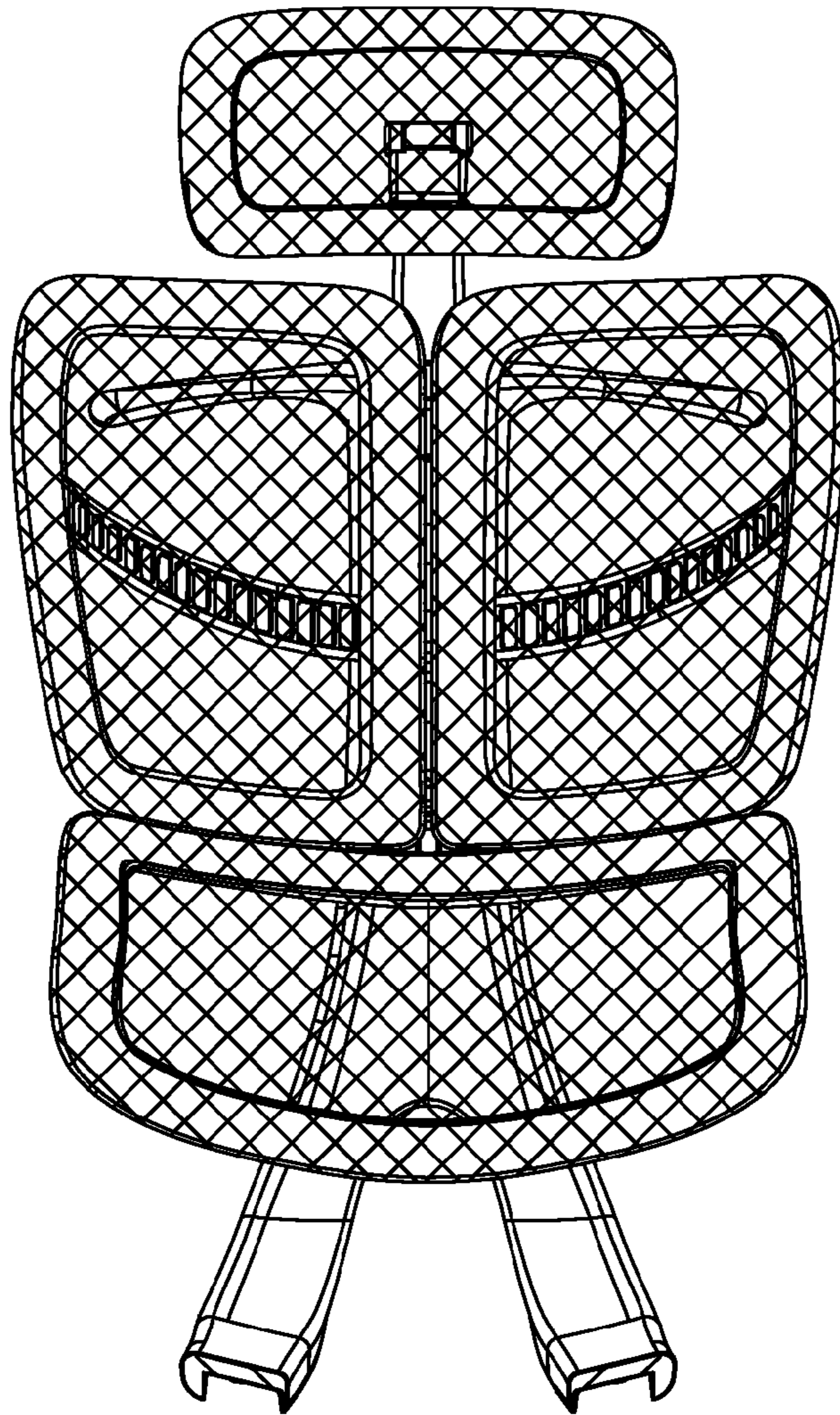


FIG.1

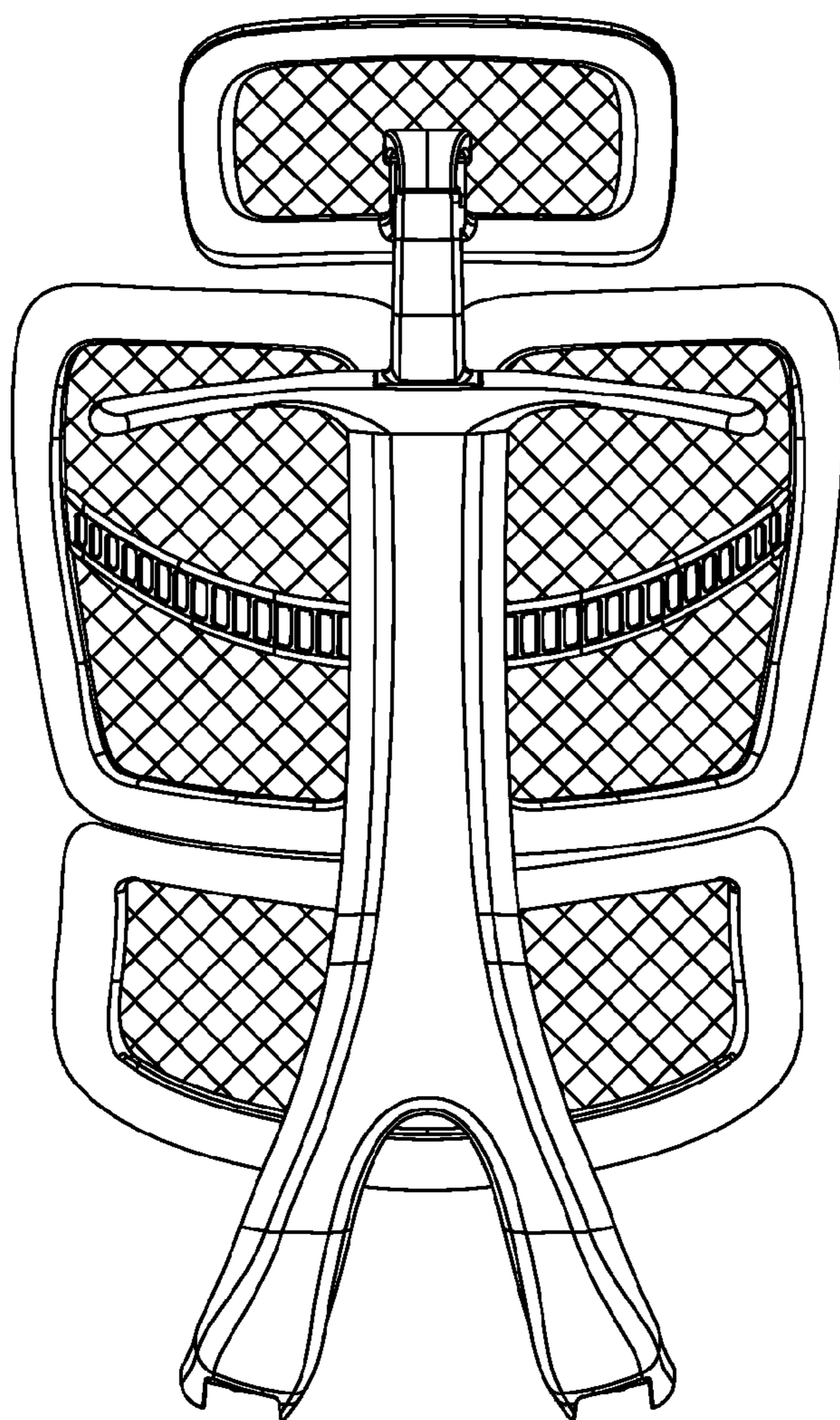


FIG.2

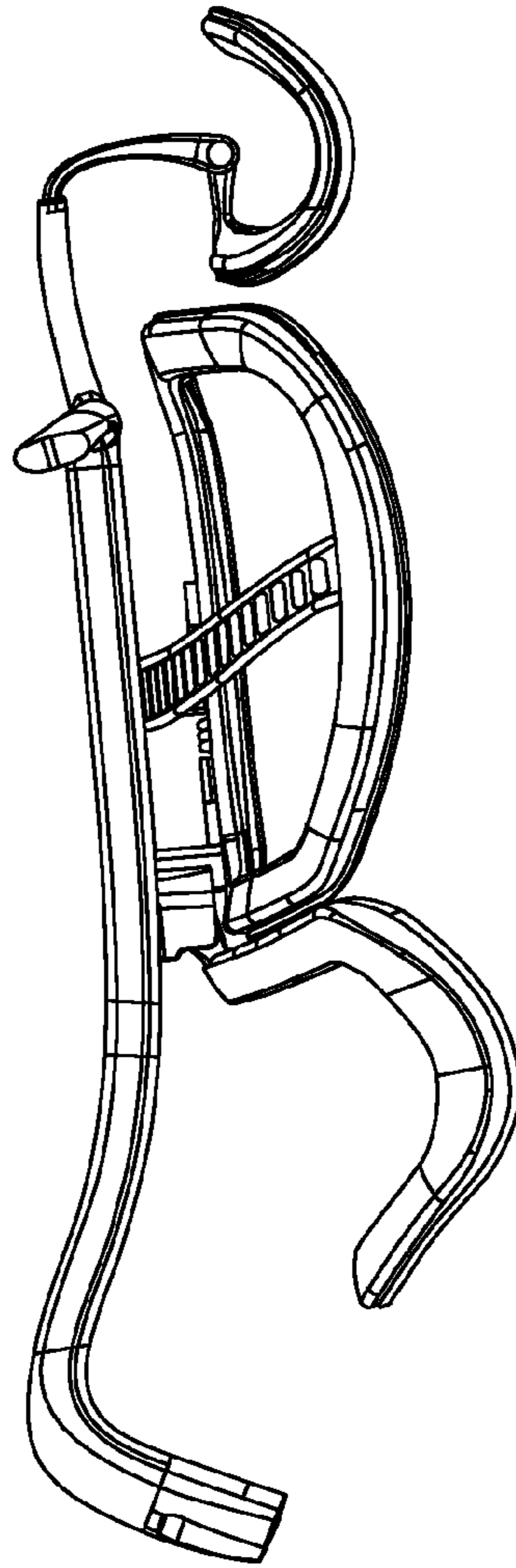


FIG.3

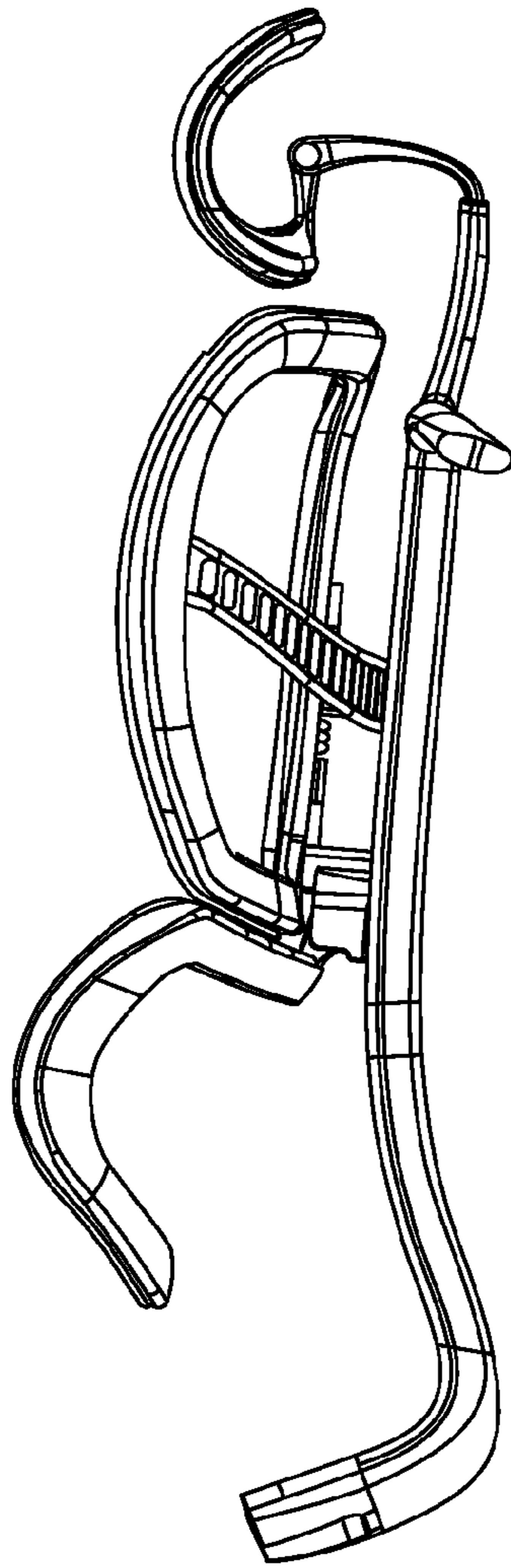


FIG.4

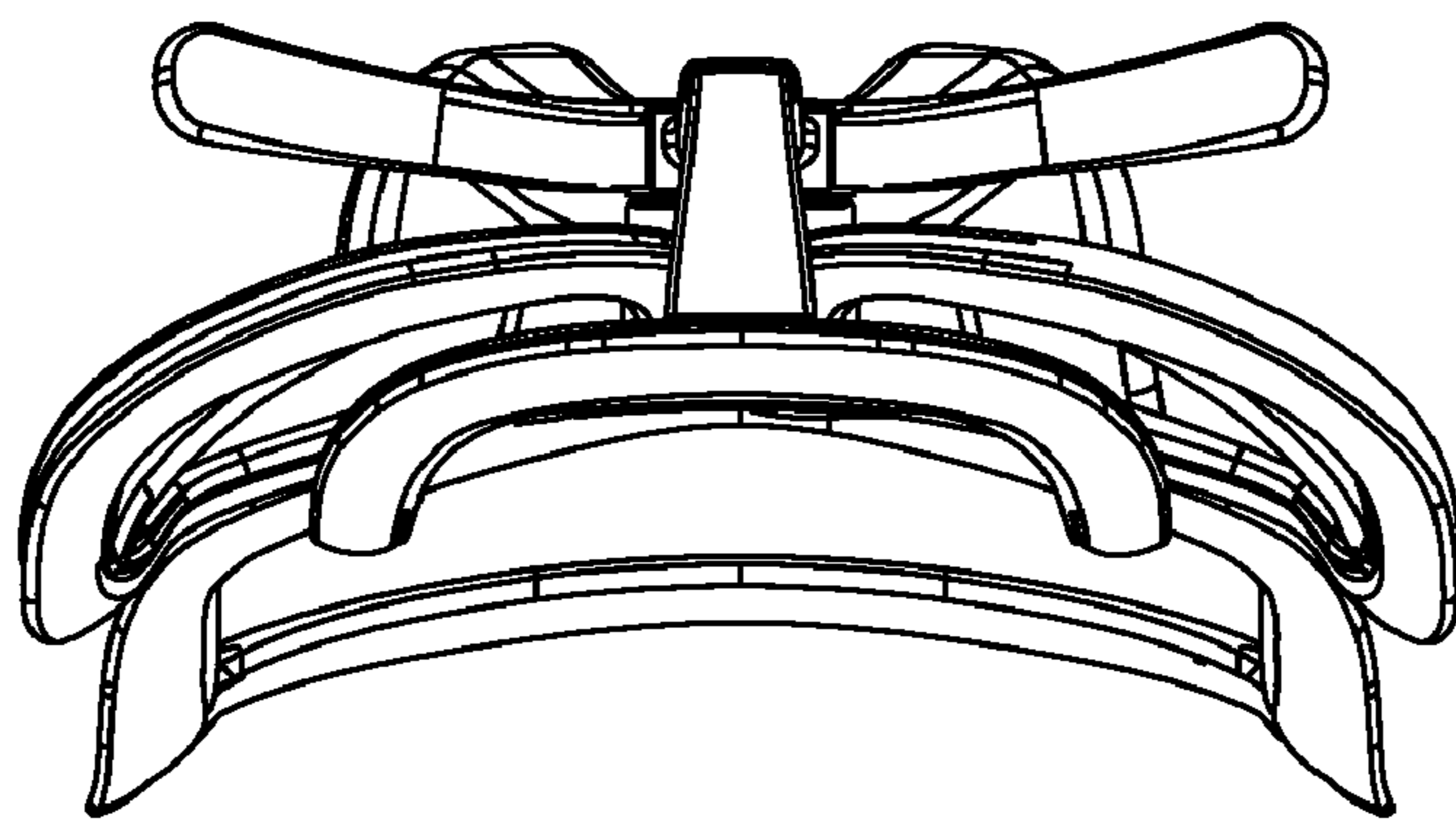


FIG. 5

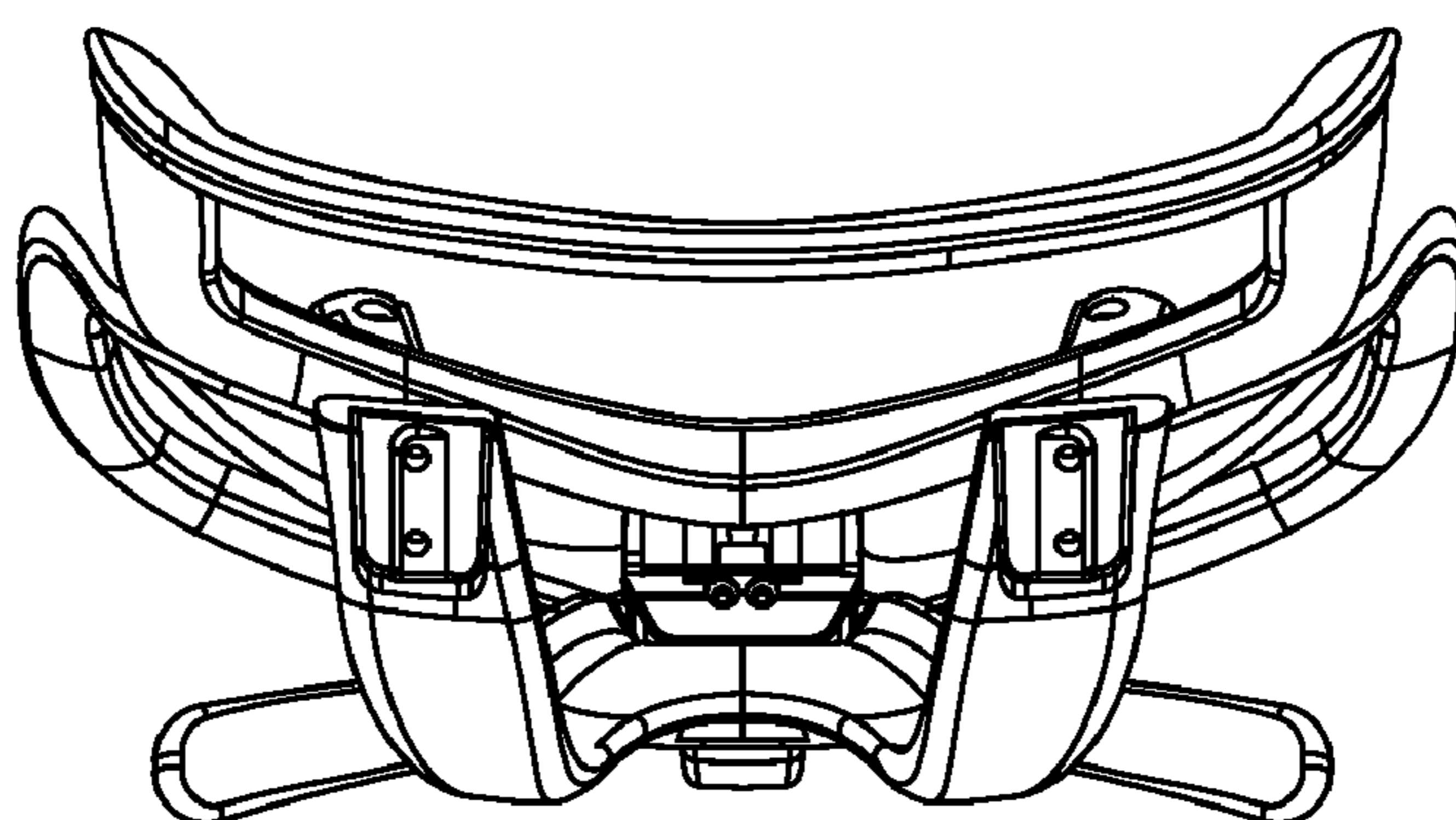


FIG. 6

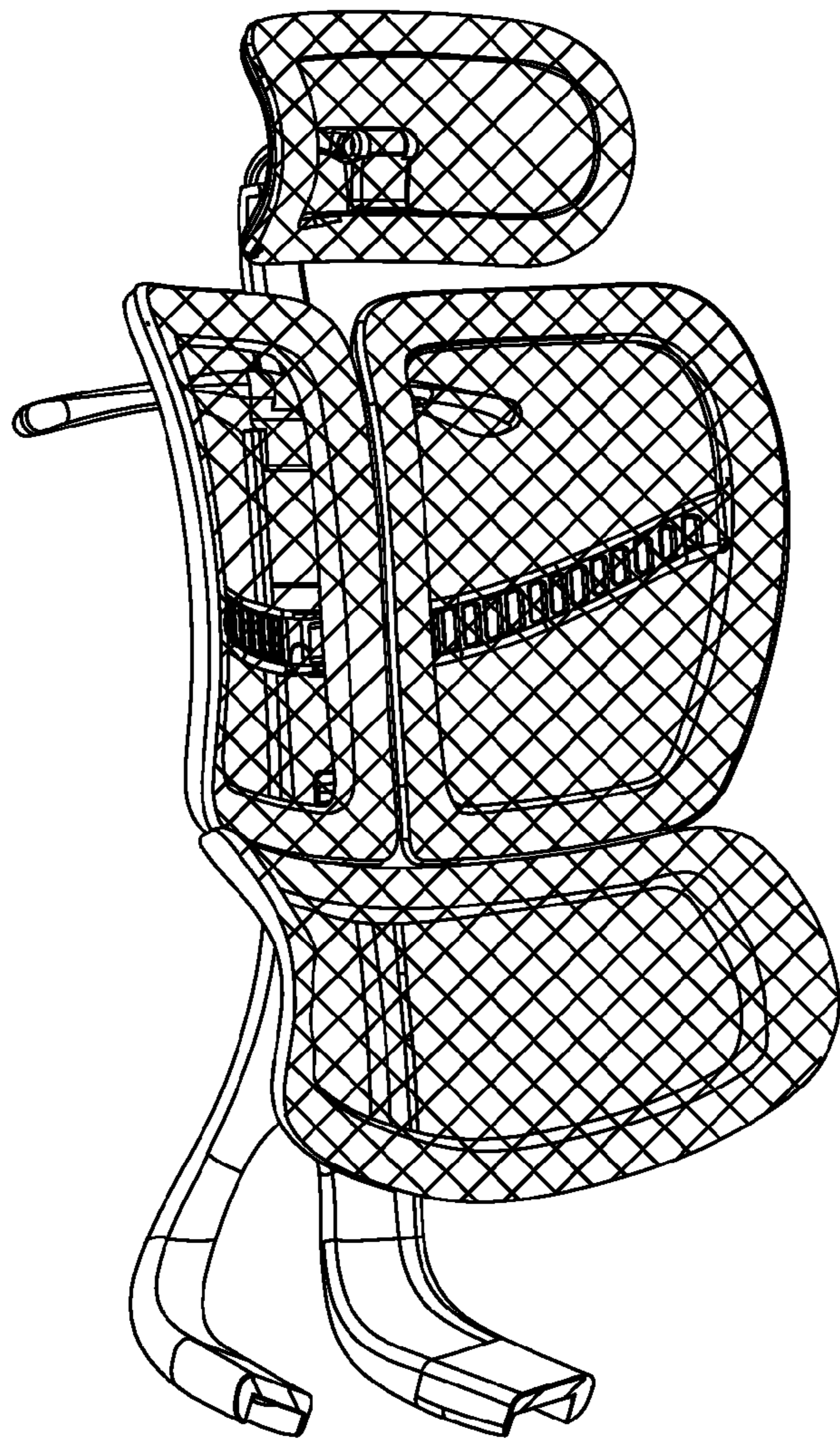


FIG.7