



US00D673397S

(12) **United States Design Patent**
Opsvik

(10) **Patent No.:** **US D673,397 S**

(45) **Date of Patent:** **** Jan. 1, 2013**

(54) **SEAT FOR SWIVEL CHAIR**

(75) Inventor: **Peter Opsvik**, Oslo (NO)

(73) Assignee: **Scandinavian Business Seating AS**,
Oslo (NO)

(**) Term: **14 Years**

(21) Appl. No.: **29/399,616**

(22) Filed: **Aug. 16, 2011**

(30) **Foreign Application Priority Data**

Feb. 17, 2011 (NO) 20110130

(51) **LOC (9) Cl.** **06-01**

(52) **U.S. Cl.** **D6/502**

(58) **Field of Classification Search** D6/334-336,
D6/349, 354, 355, 360, 364, 366, 367, 374,
D6/500, 501, 502; 297/156, 195.1, 195.11,
297/219.11, 311, 452.21, 452.23; 482/57;
D21/663, 664

See application file for complete search history.

(56) **References Cited**

U.S. PATENT DOCUMENTS

D237,123 S * 10/1975 Hogkvist D6/354
D261,450 S * 10/1981 Jenkins D6/354

4,607,882 A * 8/1986 Opsvik 297/195.11
D289,708 S * 5/1987 Rykken D6/367
D293,049 S * 12/1987 Opsvik D6/366
D433,854 S * 11/2000 Diffrient D6/502
D460,299 S * 7/2002 Lundsgaard D6/502
D577,230 S * 9/2008 Haaksma D6/500

* cited by examiner

Primary Examiner — Mimoso De

(74) *Attorney, Agent, or Firm* — Knobbe, Martens, Olson &
Bear, LLP

(57) **CLAIM**

The ornamental design for a seat for swivel chair, as shown
and described.

DESCRIPTION

FIG. 1 is a rear elevational view of a seat for swivel chair
showing my new design.

FIG. 2 is a top plan view thereof.

FIG. 3 is a right side elevational view thereof.

FIG. 4 is a left side elevational view thereof.

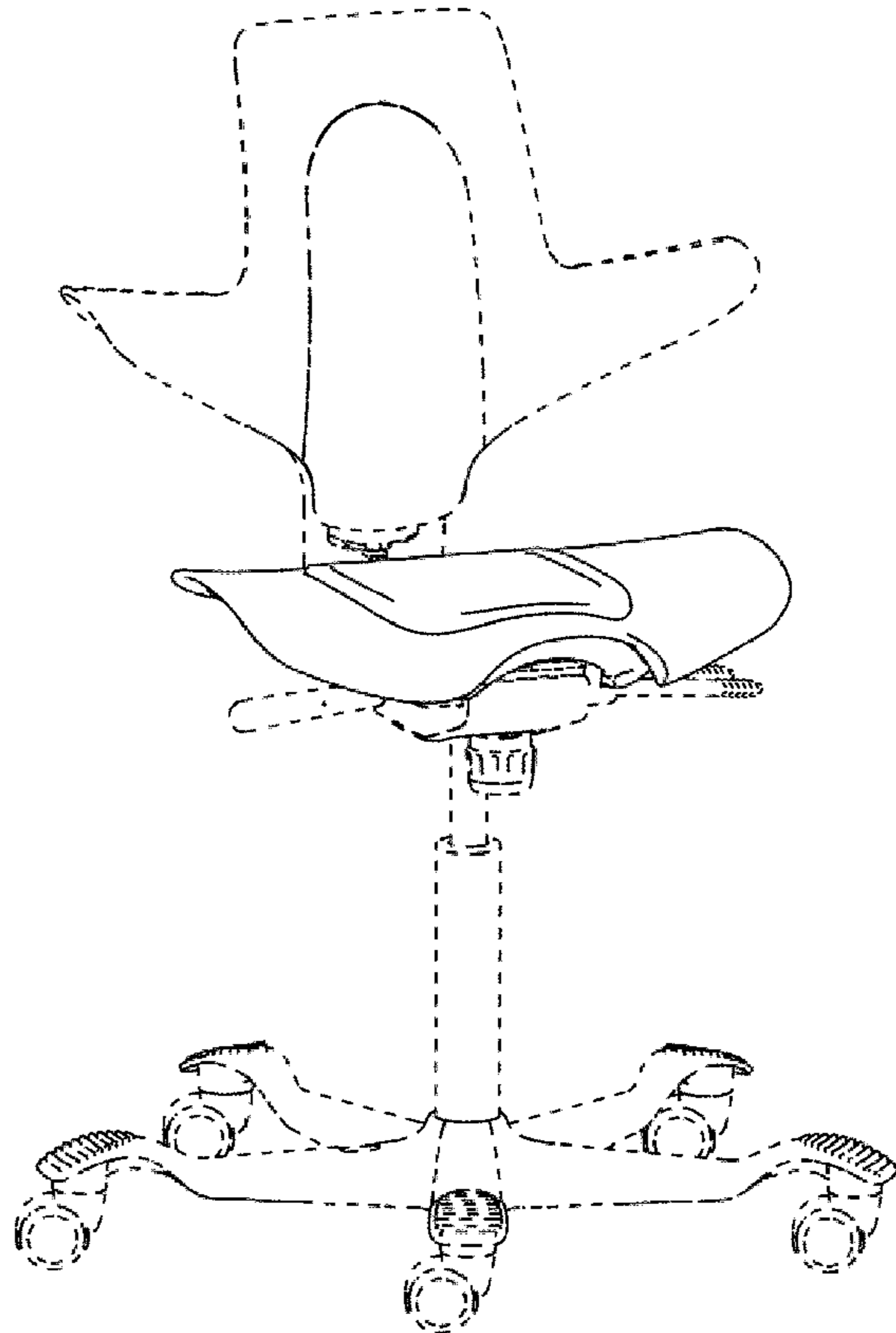
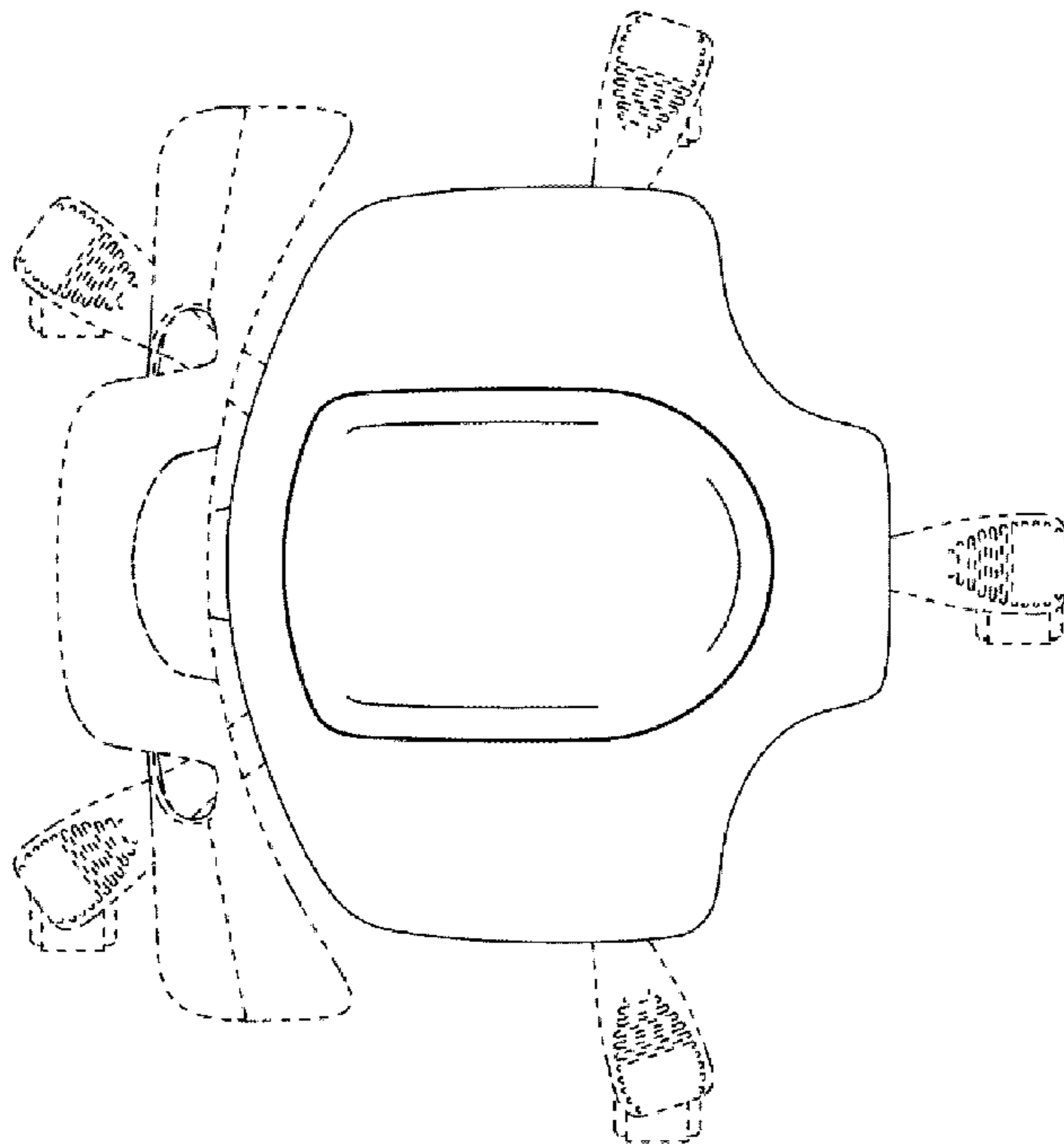
FIG. 5 is a front elevational view thereof.

FIG. 6 is a perspective view thereof; and,

FIG. 7 is a bottom plan view thereof.

The broken lines in the drawings depict environmental struc-
tures and form no part of the claimed design.

1 Claim, 7 Drawing Sheets



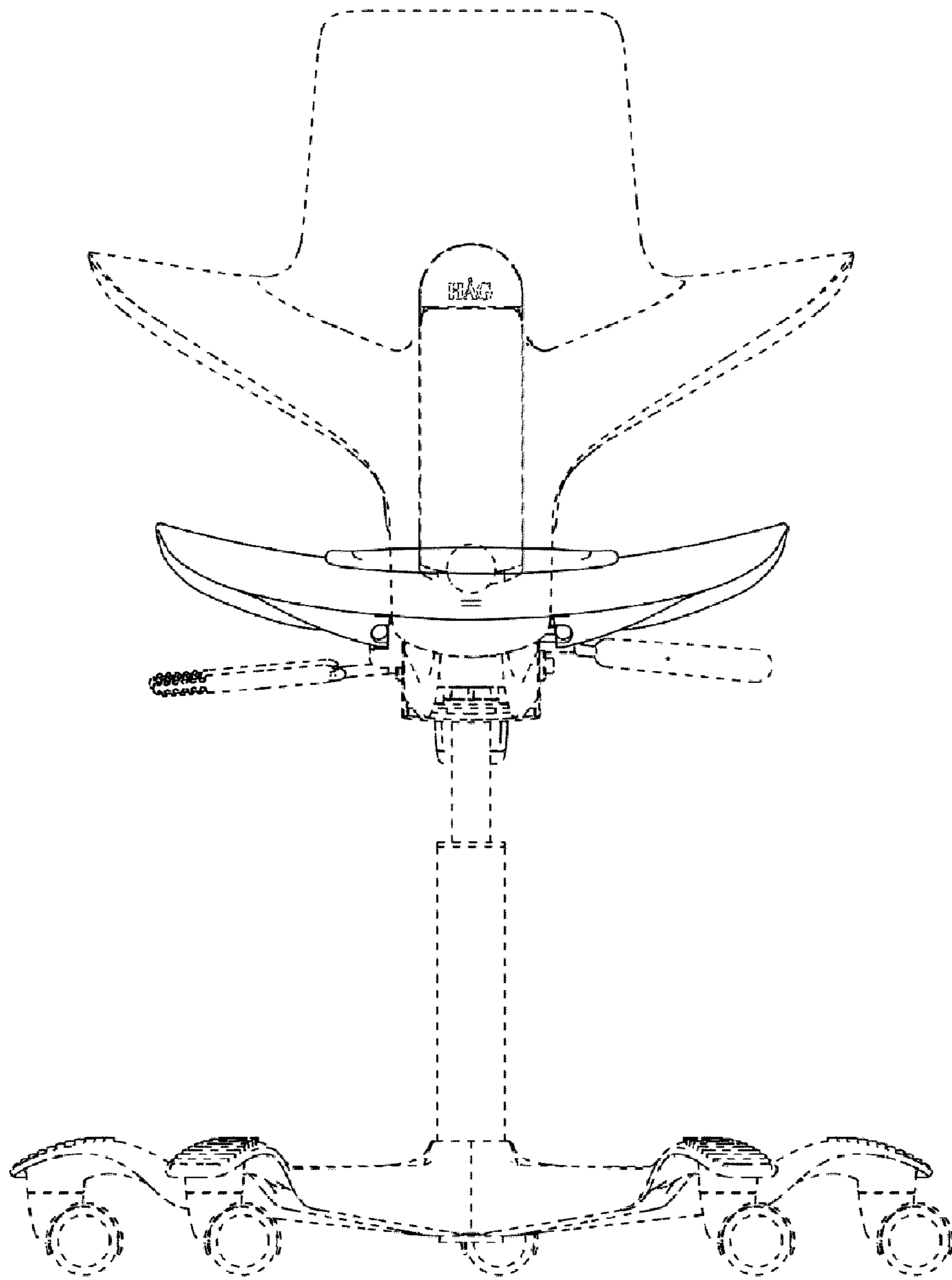


FIG. 1

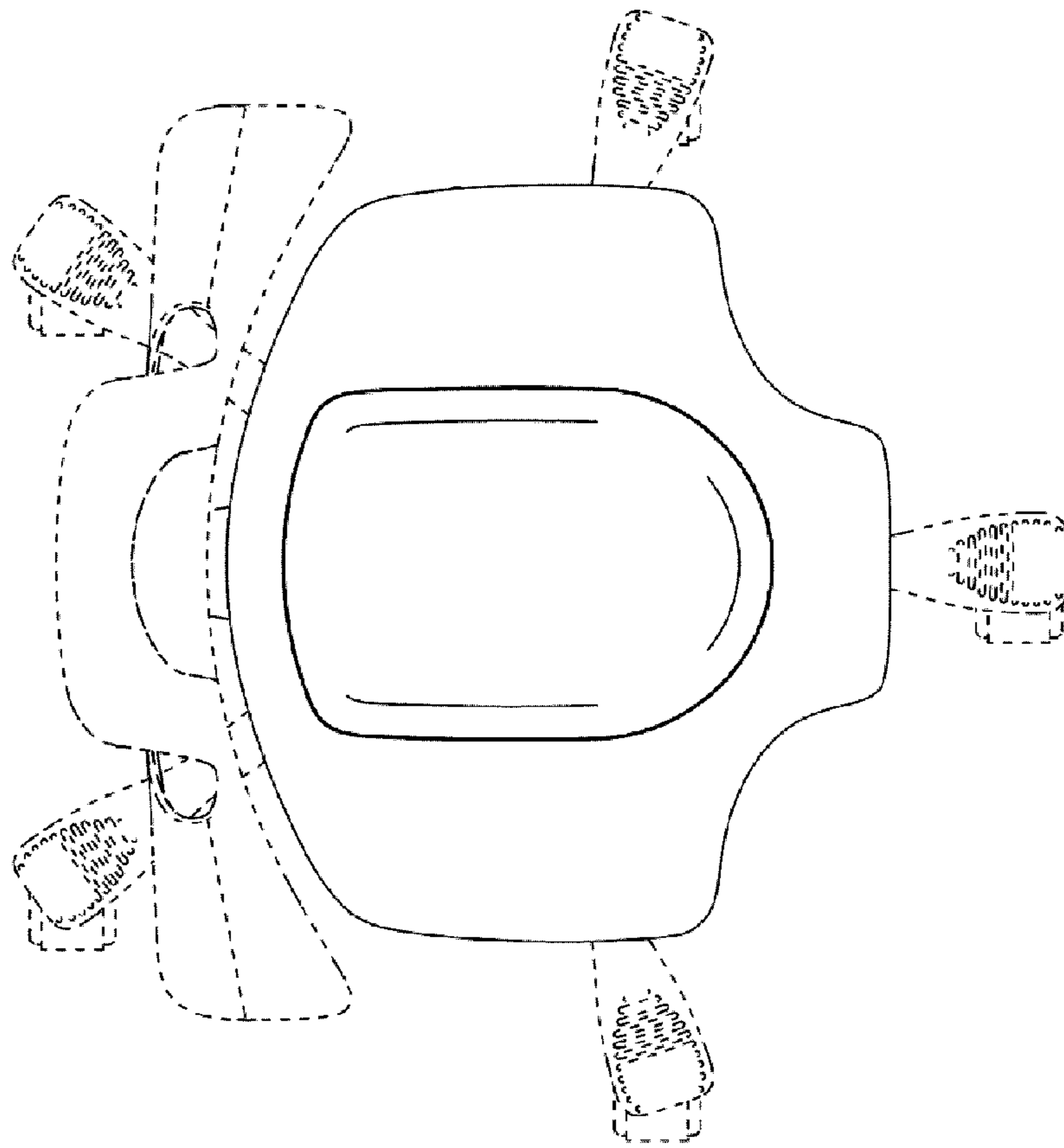


FIG. 2

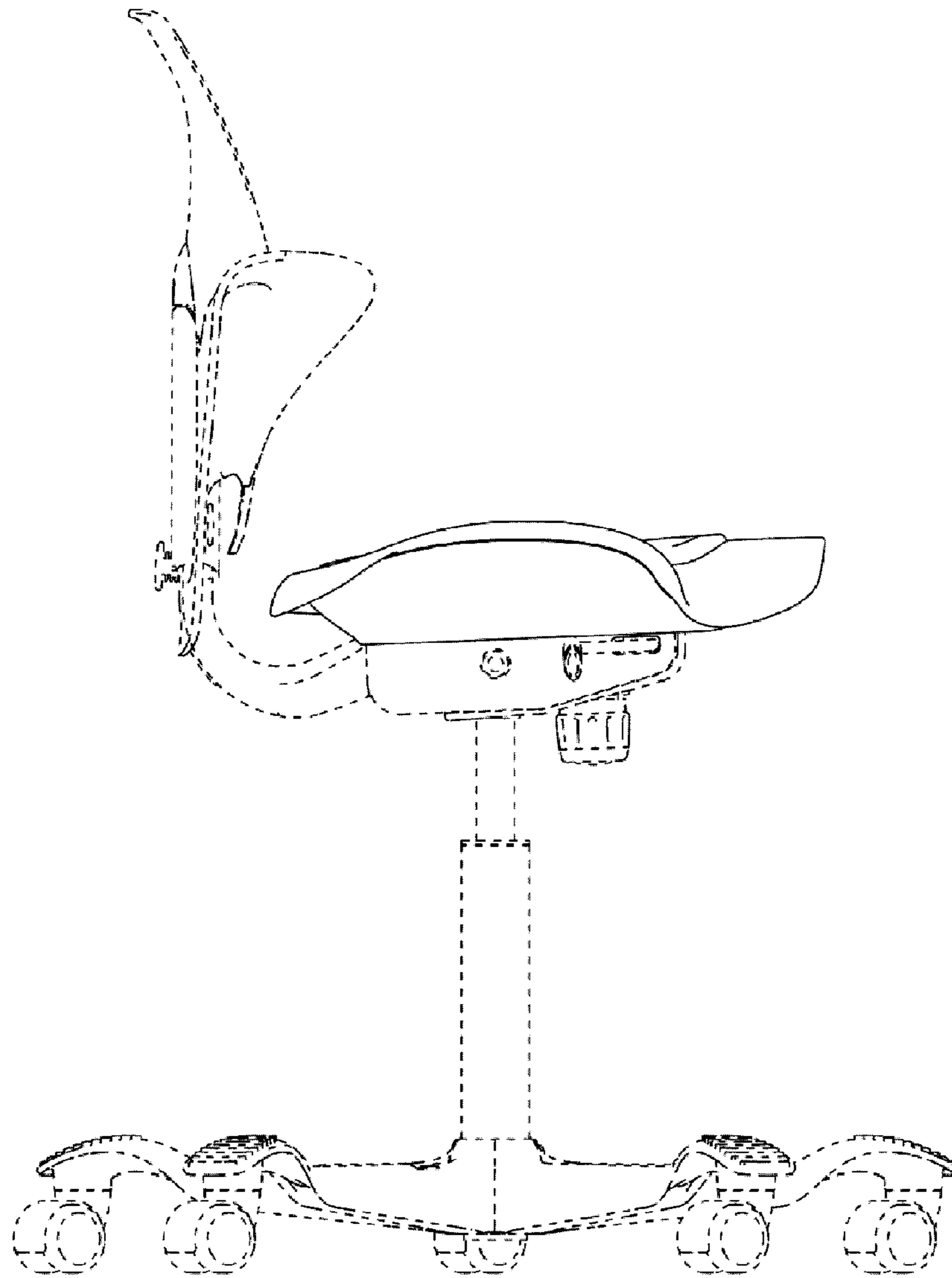


FIG. 3

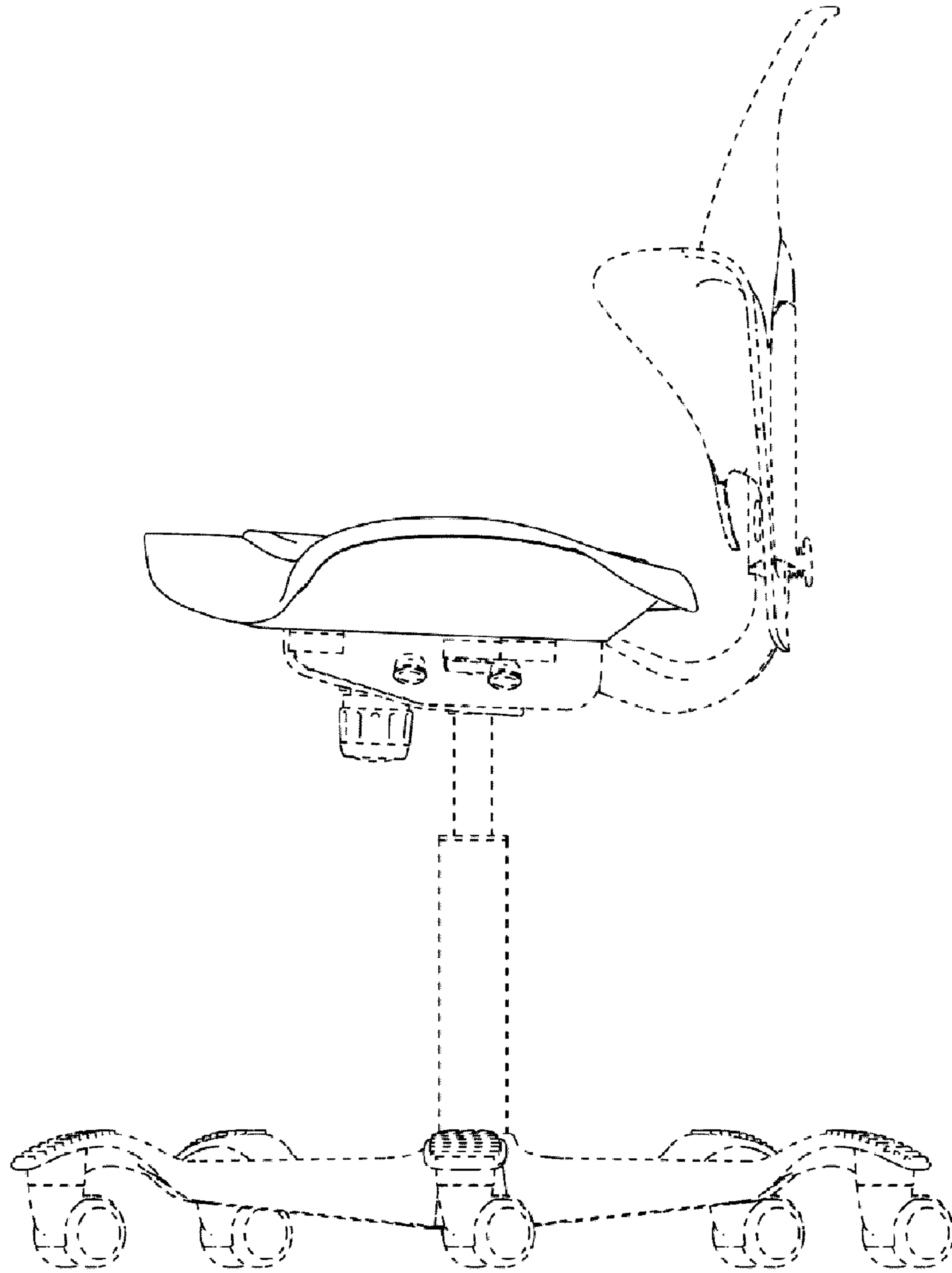


FIG. 4

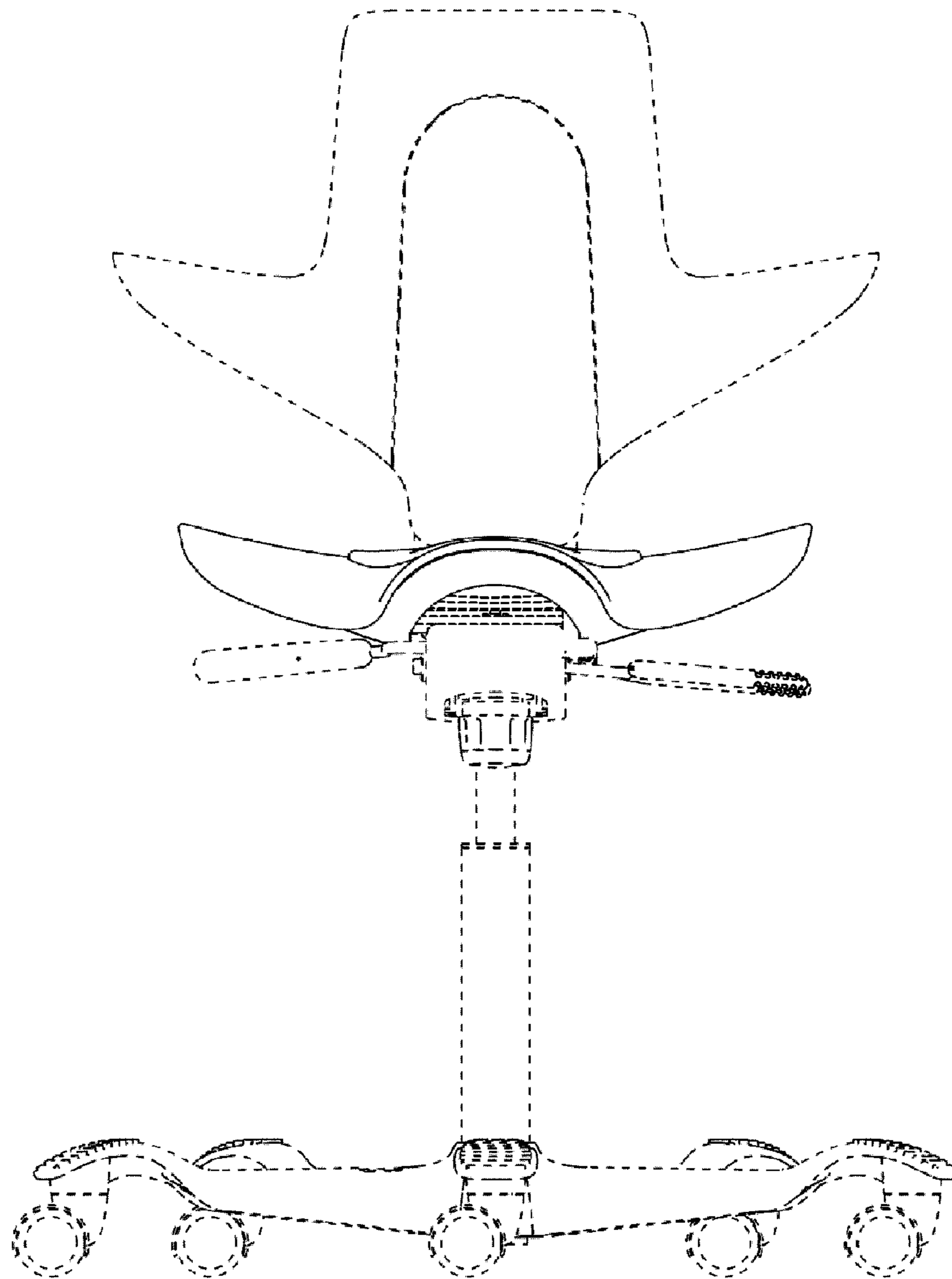


FIG. 5

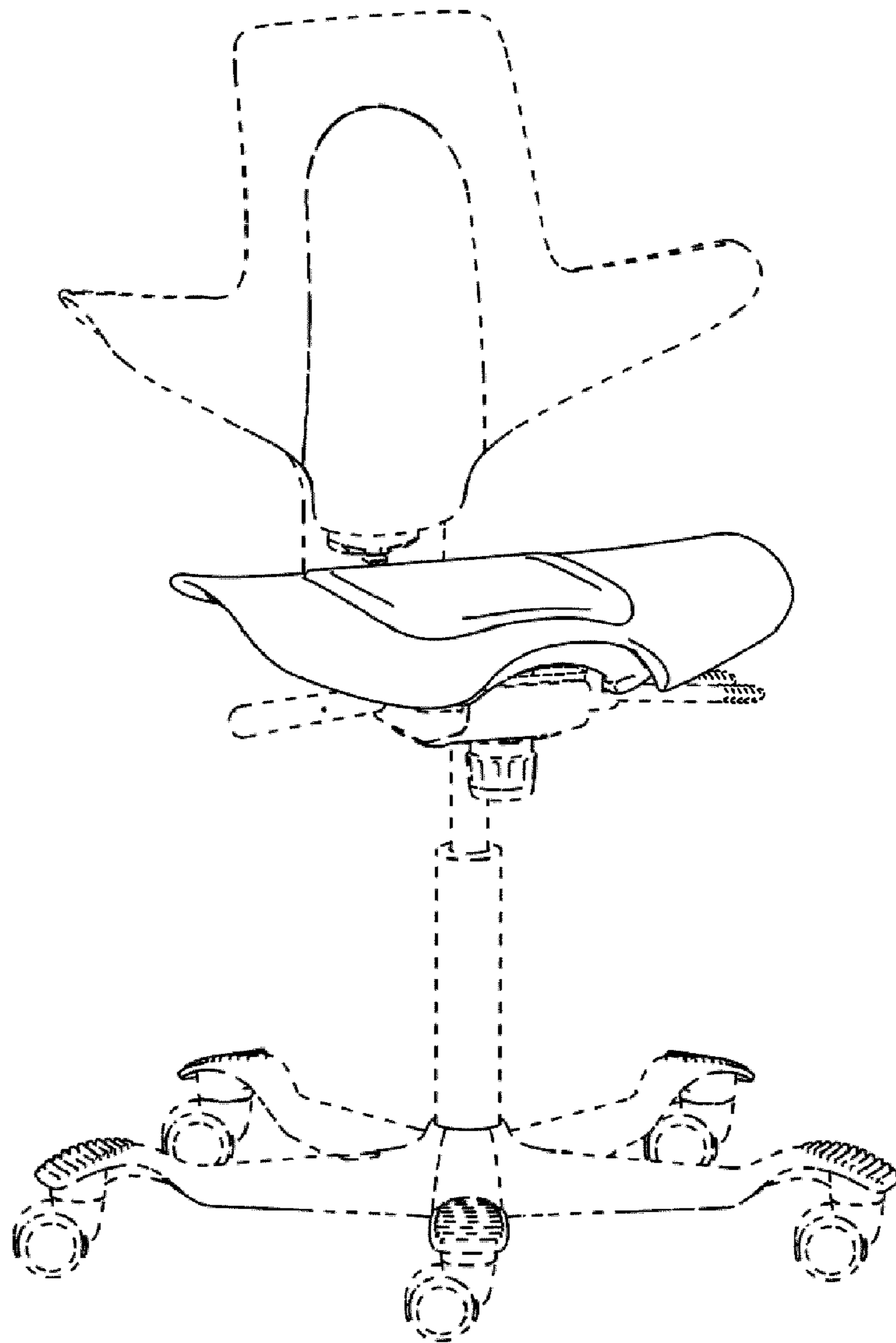


FIG. 6

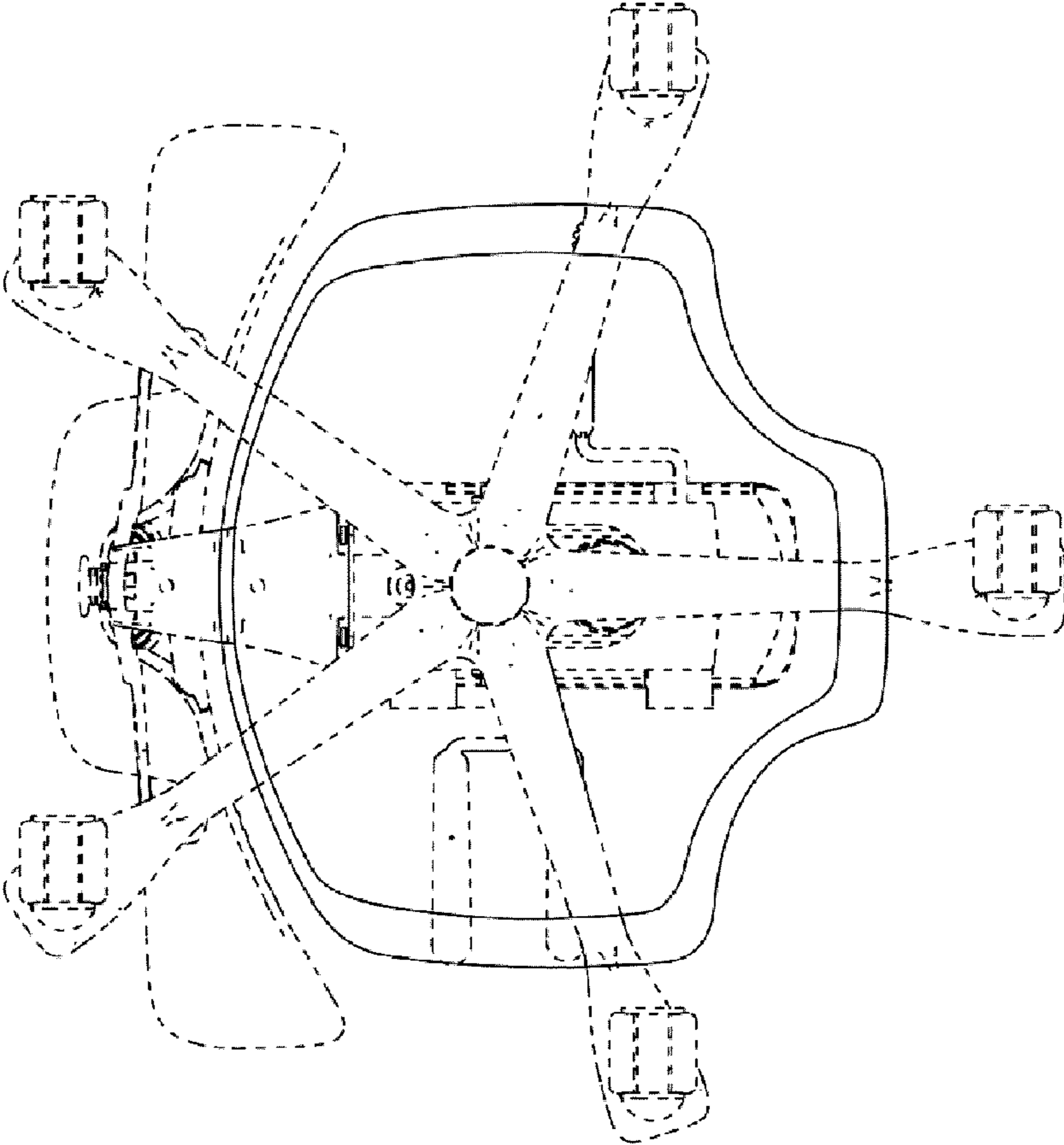


FIG. 7