



US00D673396S

(12) **United States Design Patent**  
**Piretti**

(10) **Patent No.:** **US D673,396 S**

(45) **Date of Patent:** **\*\* Jan. 1, 2013**

(54) **CHAIR**

(75) Inventor: **Giancarlo Piretti**, Bologna (IT)

(73) Assignee: **Pro-Cord S.p.A.**, Bologna (IT)

(\*\*) Term: **14 Years**

(21) Appl. No.: **29/423,283**

(22) Filed: **May 30, 2012**

(51) **LOC (9) Cl.** ..... **06-01**

(52) **U.S. Cl.** ..... **D6/500; D6/376; D6/380**

(58) **Field of Classification Search** ..... D6/334-336,  
D6/366, 371-373, 374, 376, 379, 380, 500-502;  
297/239, 445.1, 446.1, 452.18, 452.2, 452.21,  
297/452.29, 452.46

See application file for complete search history.

(56) **References Cited**

**U.S. PATENT DOCUMENTS**

3,080,194	A *	3/1963	Rowland	.....	297/239
D418,322	S *	1/2000	Hock	.....	D6/374
D461,322	S *	8/2002	Holbrook et al.	.....	D6/366
D462,846	S *	9/2002	Gasca Burges	.....	D6/366
D464,494	S *	10/2002	Gasca Burges	.....	D6/374
D466,712	S *	12/2002	Haney et al.	.....	D6/373
D505,562	S *	5/2005	Goodworth	.....	D6/374
D515,331	S	2/2006	Piretti		
D547,963	S *	8/2007	Olano	.....	D6/379
D555,928	S *	11/2007	Pensi	.....	D6/379
D581,689	S *	12/2008	Marini	.....	D6/380
D600,935	S *	9/2009	Koh	.....	D6/376
D610,824	S	3/2010	Piretti		
7,686,395	B2	3/2010	Piretti		
D637,839	S	5/2011	Piretti		
D638,641	S	5/2011	Piretti		
D642,819	S	8/2011	Piretti		
D643,652	S	8/2011	Piretti		
D648,968	S	11/2011	Piretti et al.		
D650,616	S	12/2011	Piretti		
2010/0156156	A1 *	6/2010	Smith	.....	297/239

\* cited by examiner

*Primary Examiner* — Mimosa De

(74) *Attorney, Agent, or Firm* — Andrus, Scales, Starke & Sawall, LLP

(57) **CLAIM**

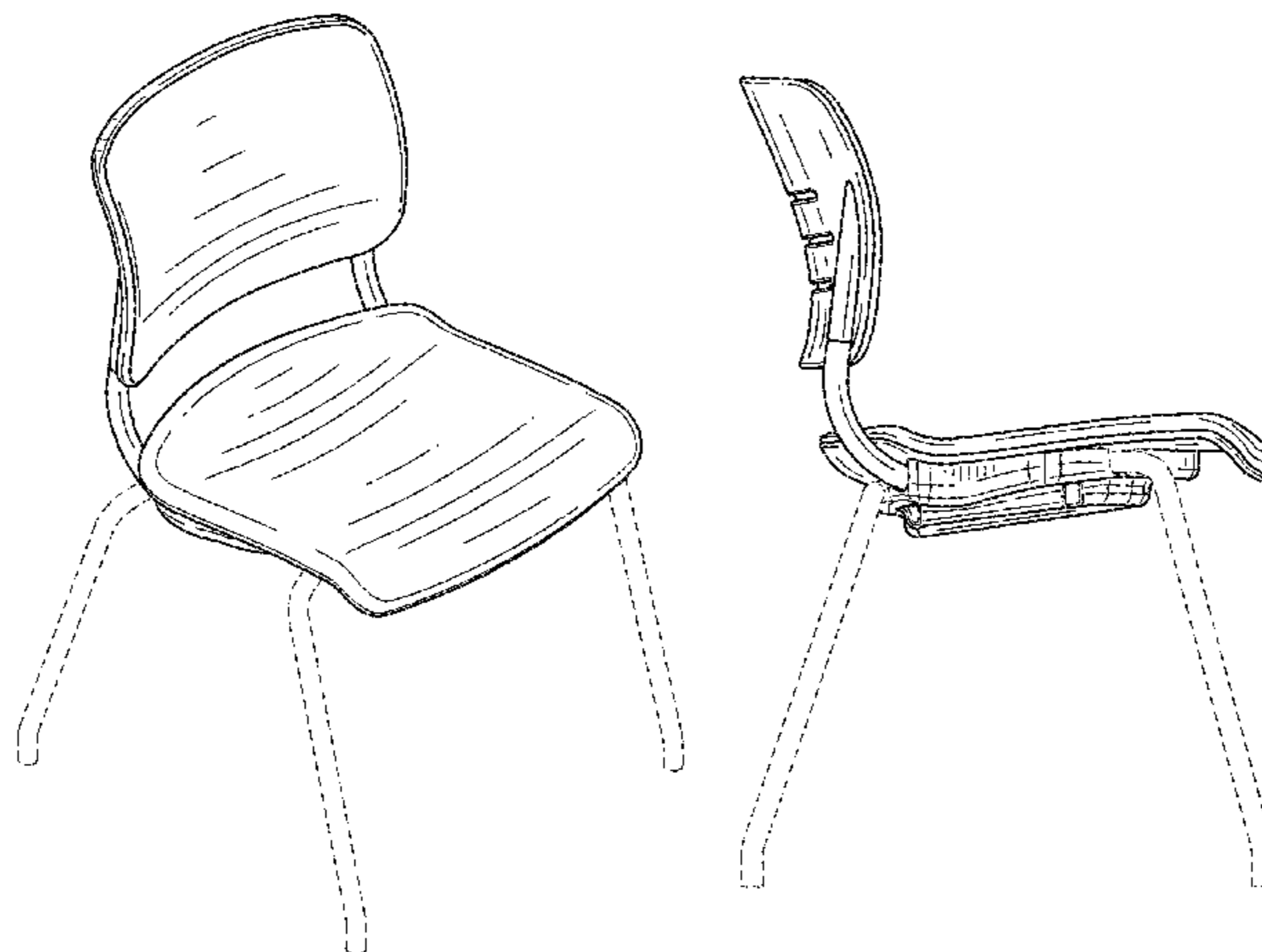
The ornamental design for a chair, as shown and described.

**DESCRIPTION**

FIG. 1 is an isometric view of a chair;  
 FIG. 2 is a right side view thereof, wherein the left side view is a mirror image;  
 FIG. 3 is a front view thereof;  
 FIG. 4 is a back view thereof;  
 FIG. 5 is a top view thereof;  
 FIG. 6 is an isometric view of the chair in a second alternate environment;  
 FIG. 7 is a right side view thereof, wherein the left side view is a mirror image;  
 FIG. 8 is a front view thereof;  
 FIG. 9 is an isometric view of a chair in a third alternate environment;  
 FIG. 10 is a right side view thereof, wherein the left side view is a mirror image;  
 FIG. 11 is a front view thereof;  
 FIG. 12 is an isometric view of the chair in a fourth alternate environment;  
 FIG. 13 is a right side view thereof, wherein the left side view is a mirror image;  
 FIG. 15 is an isometric view of a chair in a fifth alternate environment;  
 FIG. 16 is a right side view thereof, wherein the left side view is a mirror image;  
 FIG. 17 is a front view thereof;  
 FIG. 18 is an isometric view of the chair in a sixth alternate environment;  
 FIG. 19 is a right side view thereof, wherein the left side view is a mirror image; and,  
 FIG. 20 is a front view thereof.

The broken lines shown in the drawing Figures are meant to illustrate environment and form no part of the claimed design.

**1 Claim, 13 Drawing Sheets**



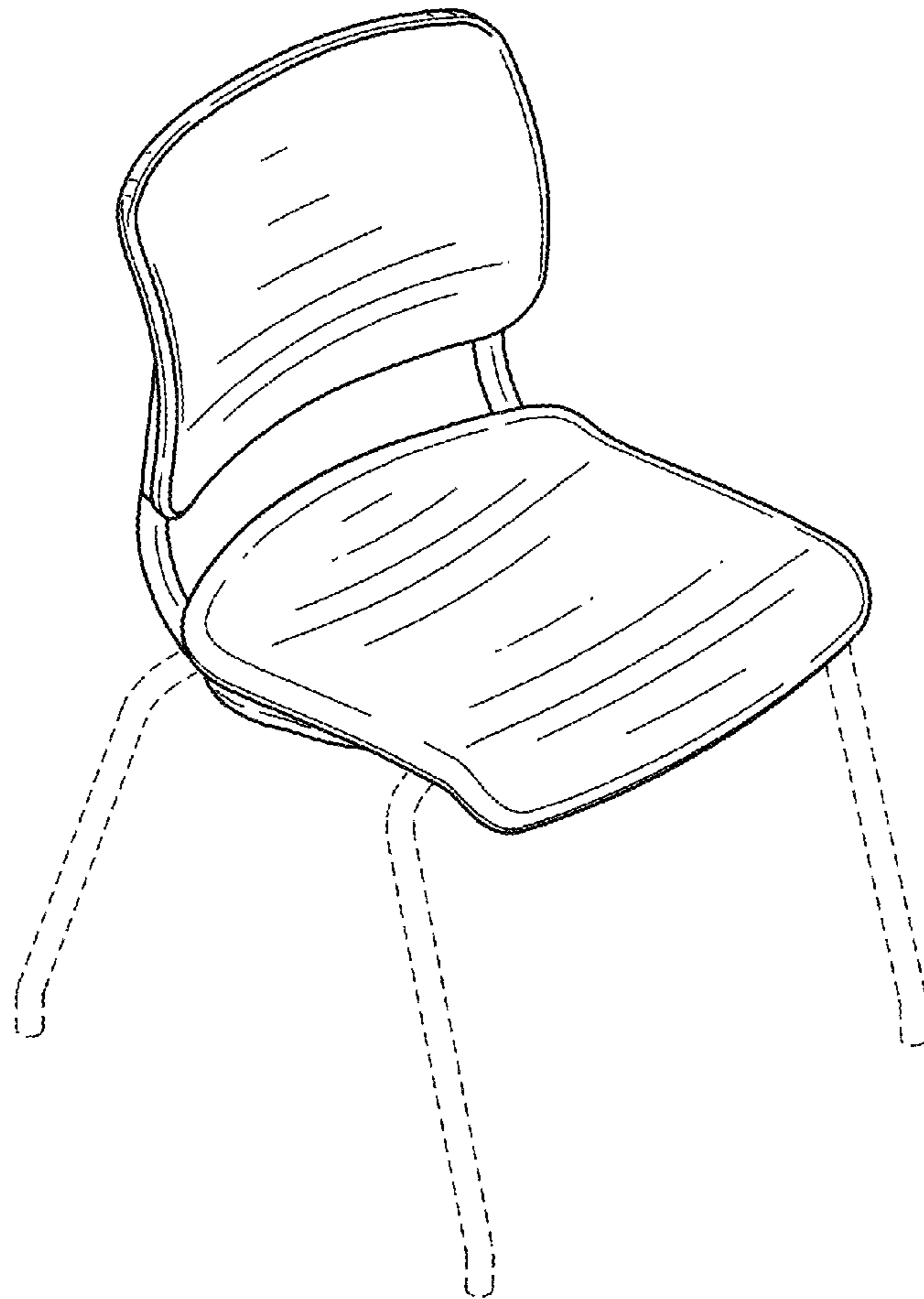


FIG. 1

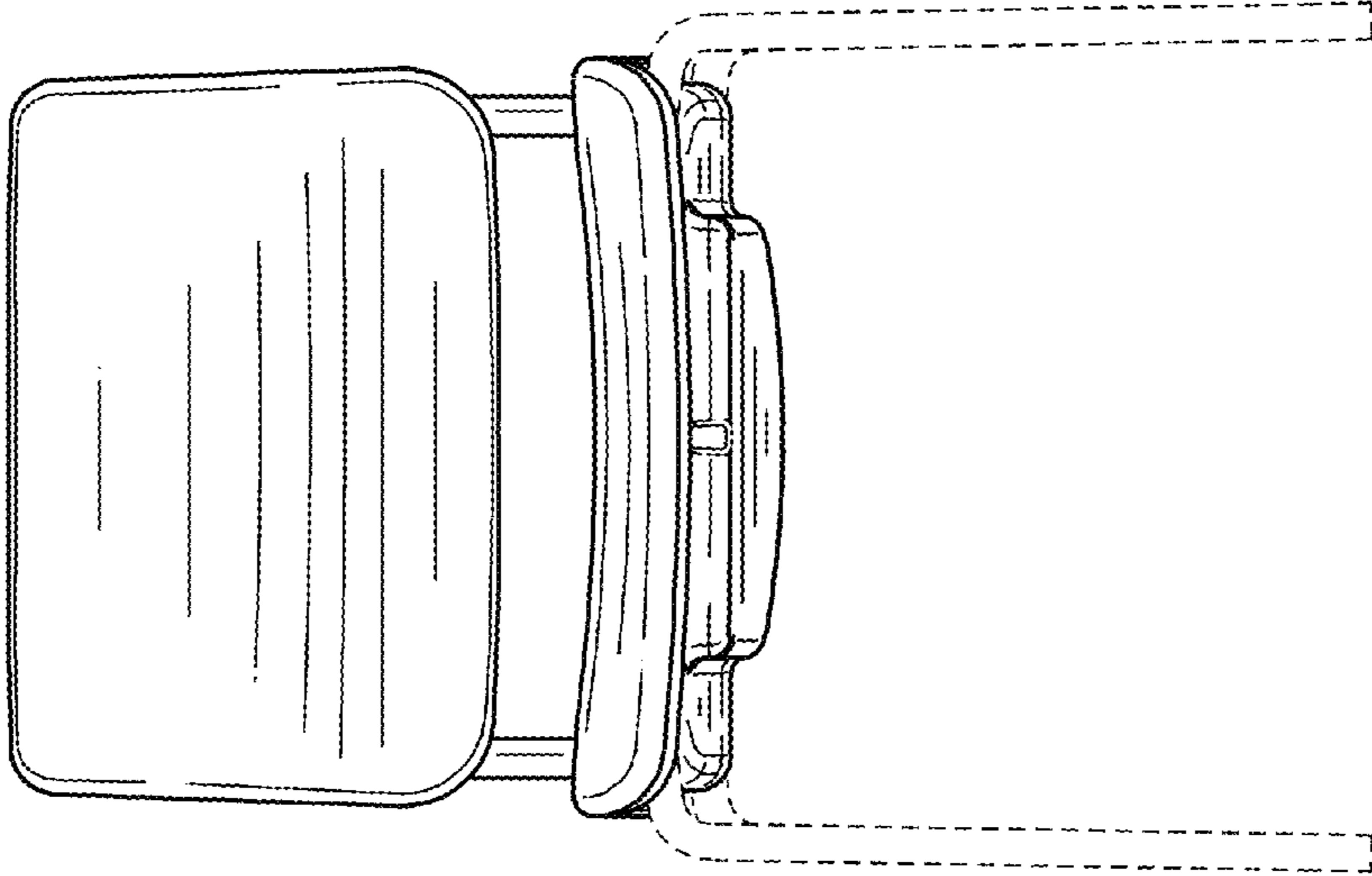


FIG. 3

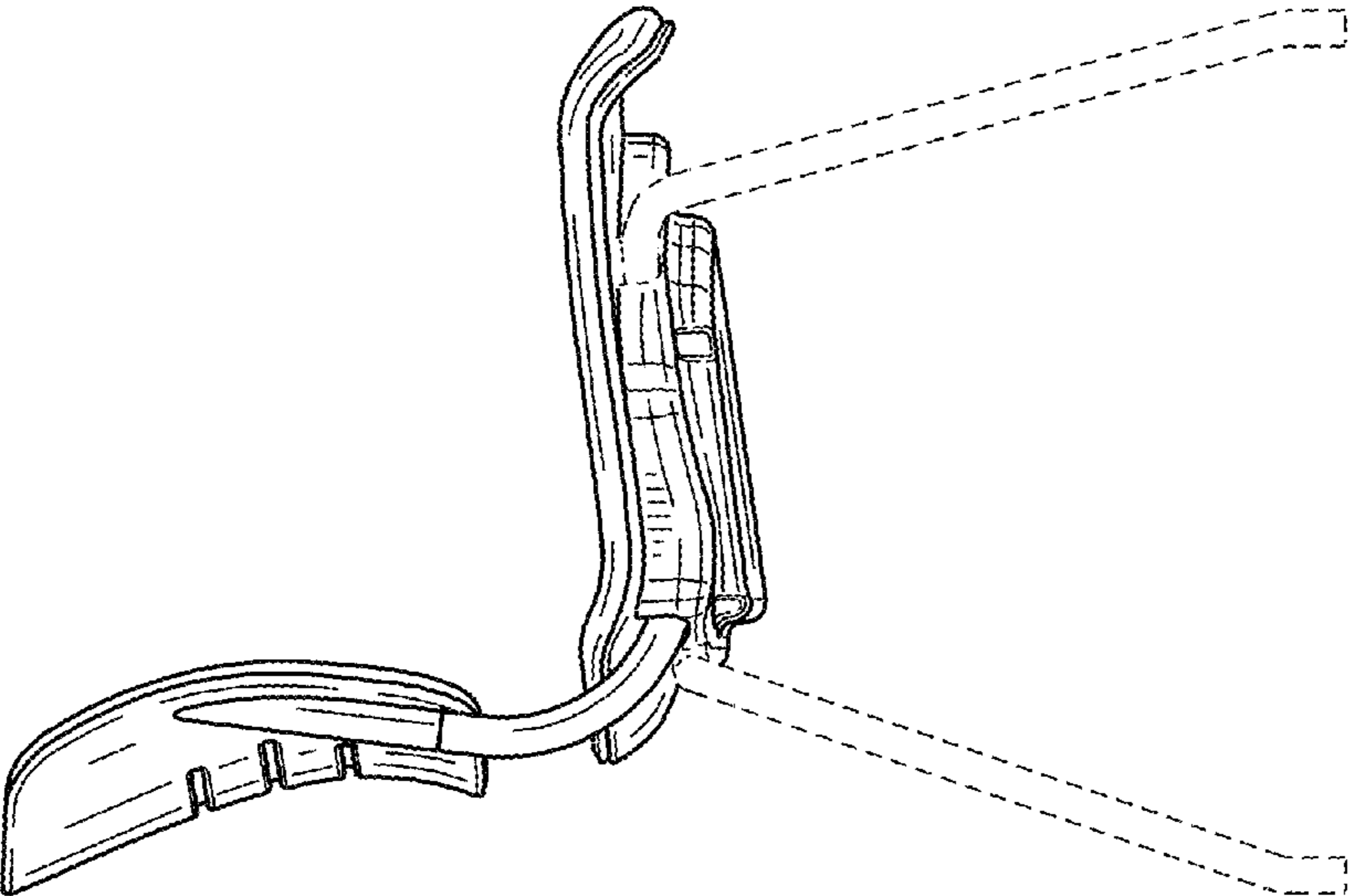


FIG. 2

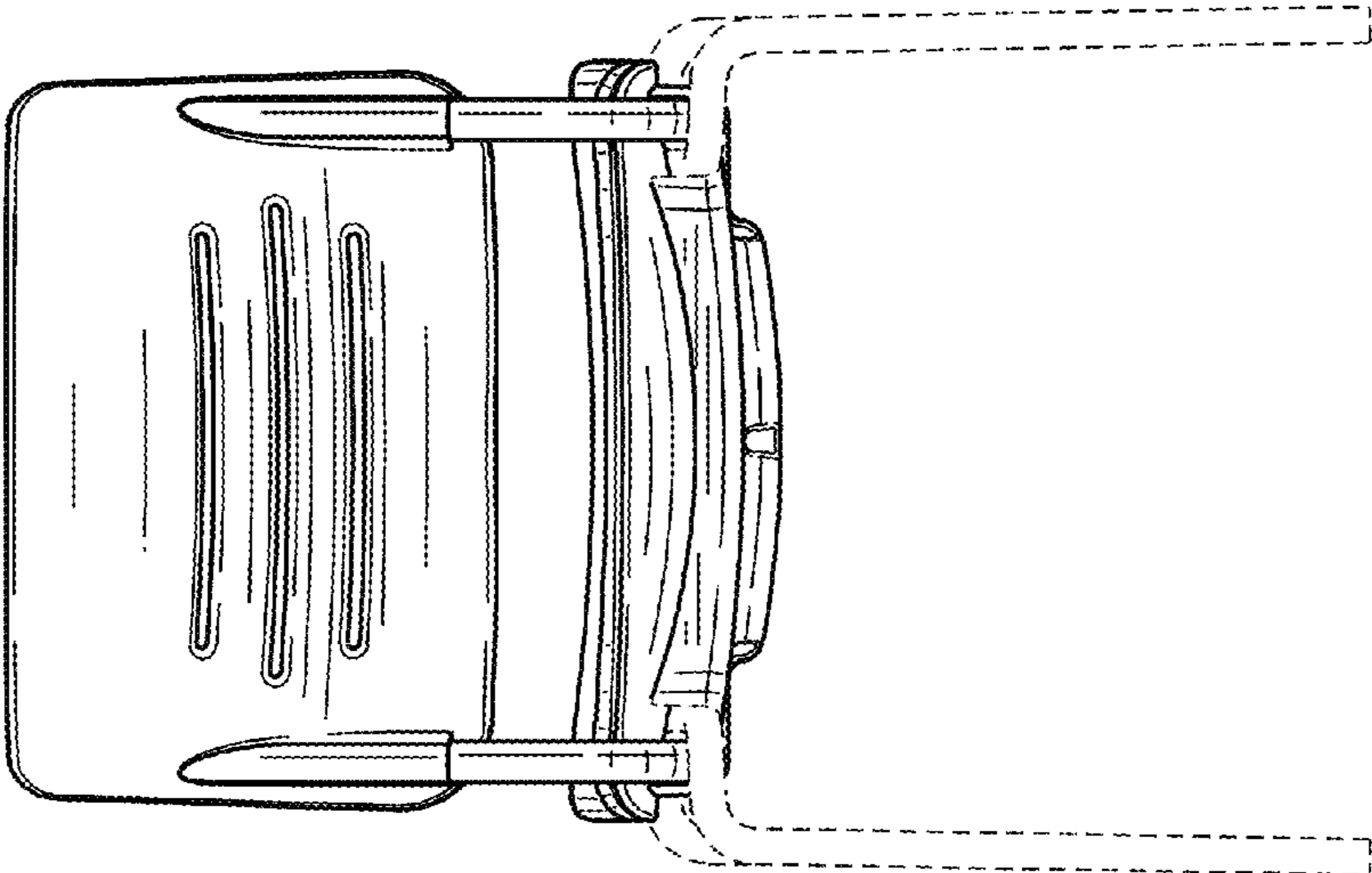


FIG. 4

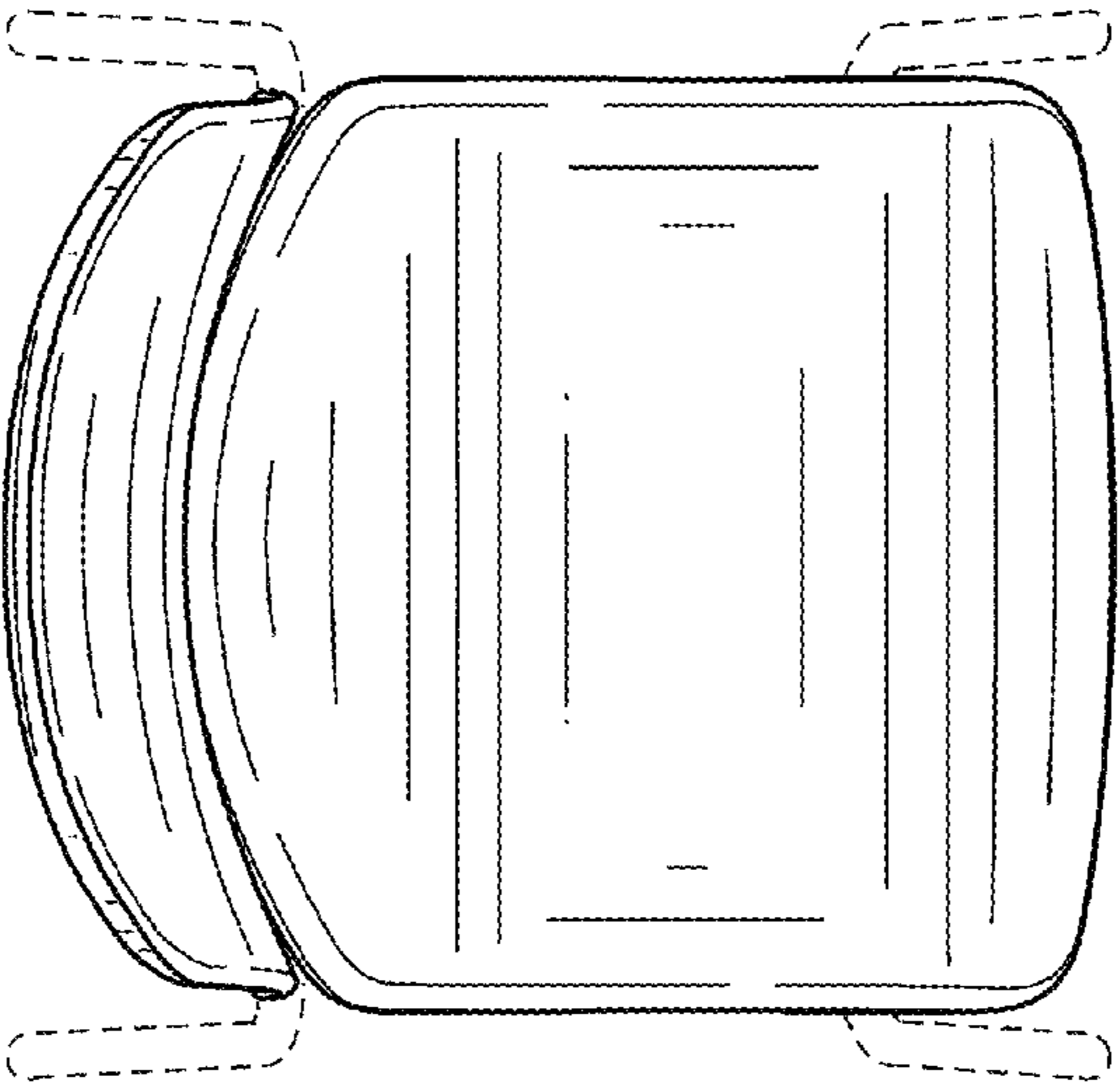


FIG. 5

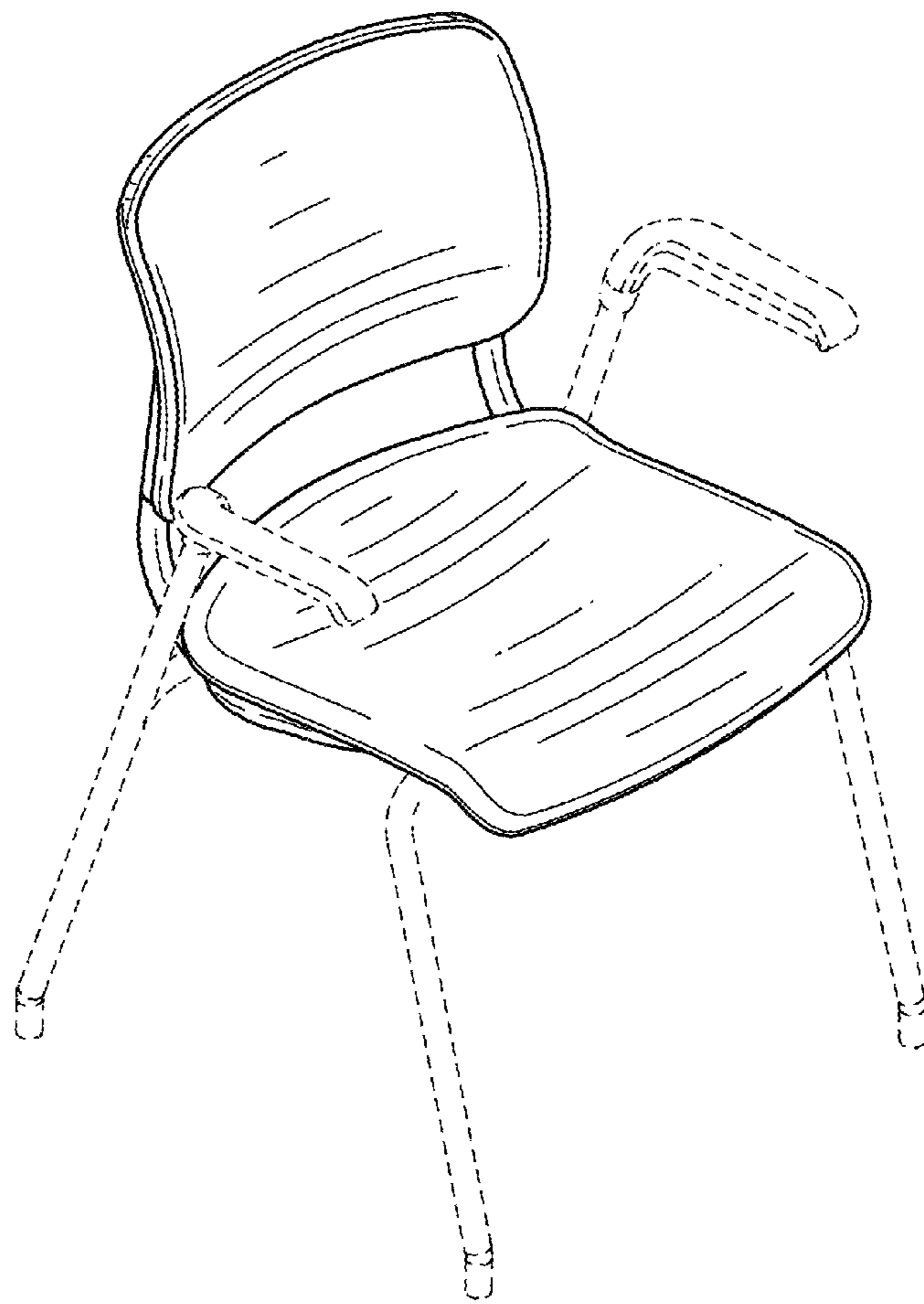


FIG. 6



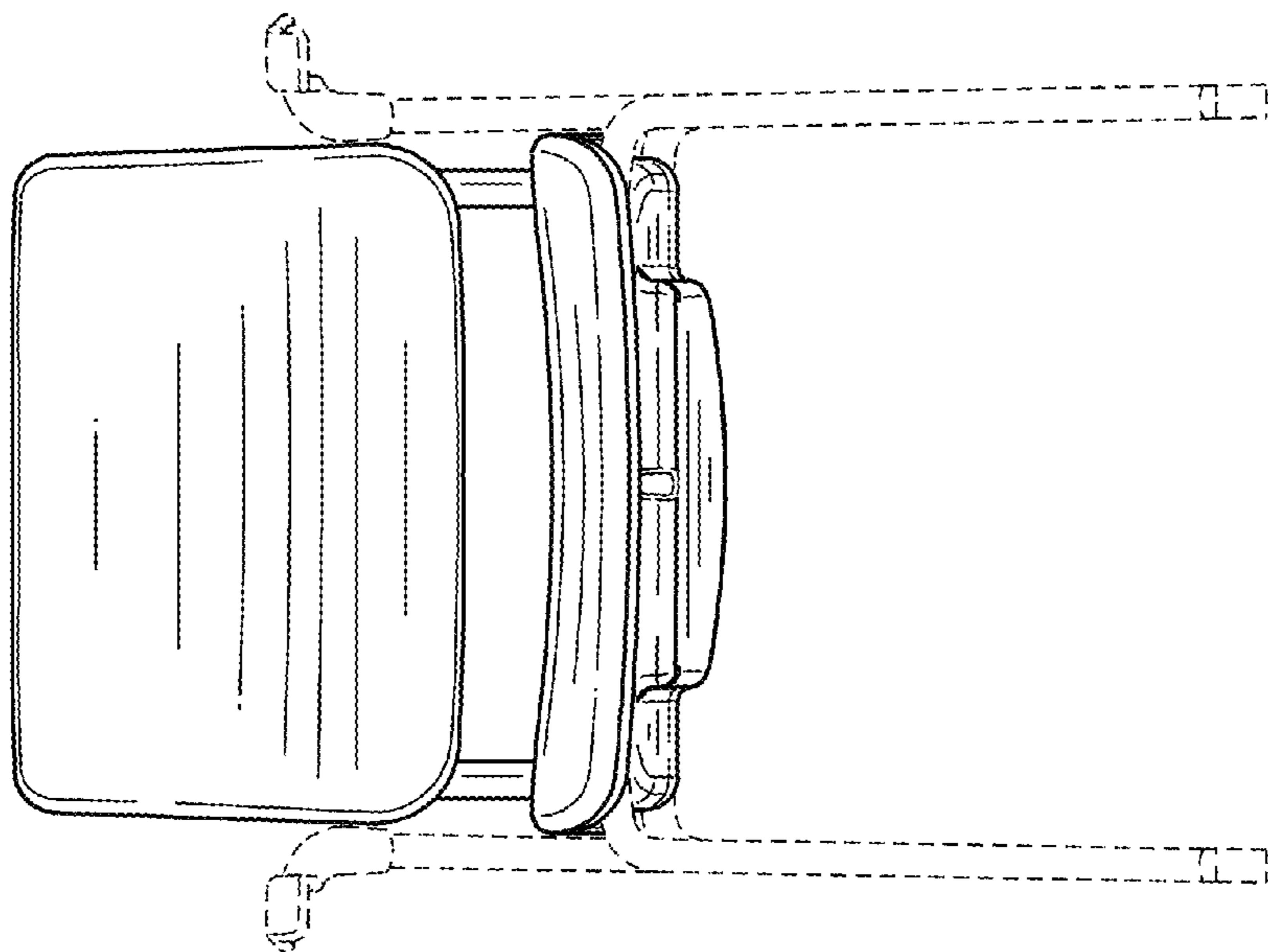


FIG. 8

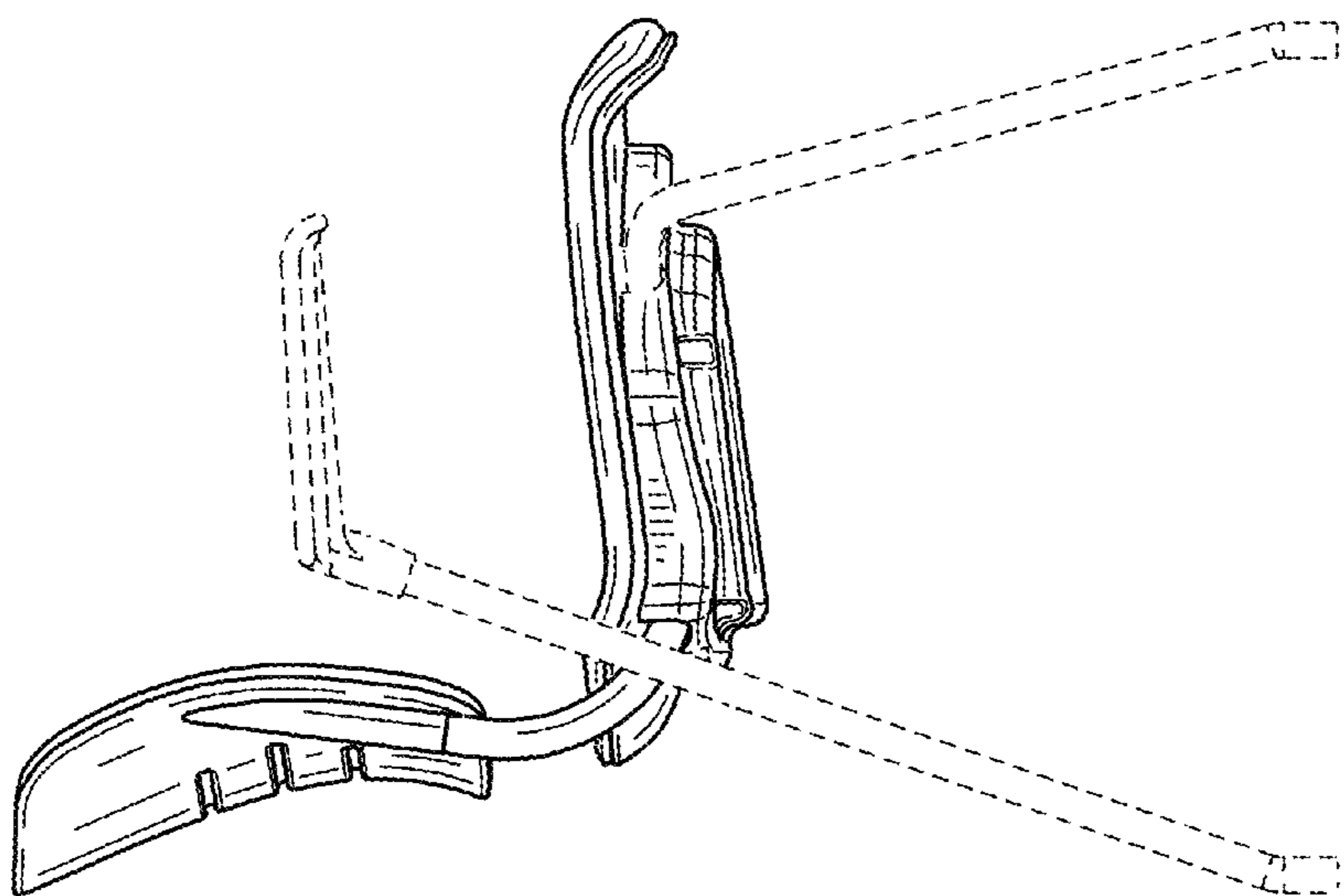


FIG. 7

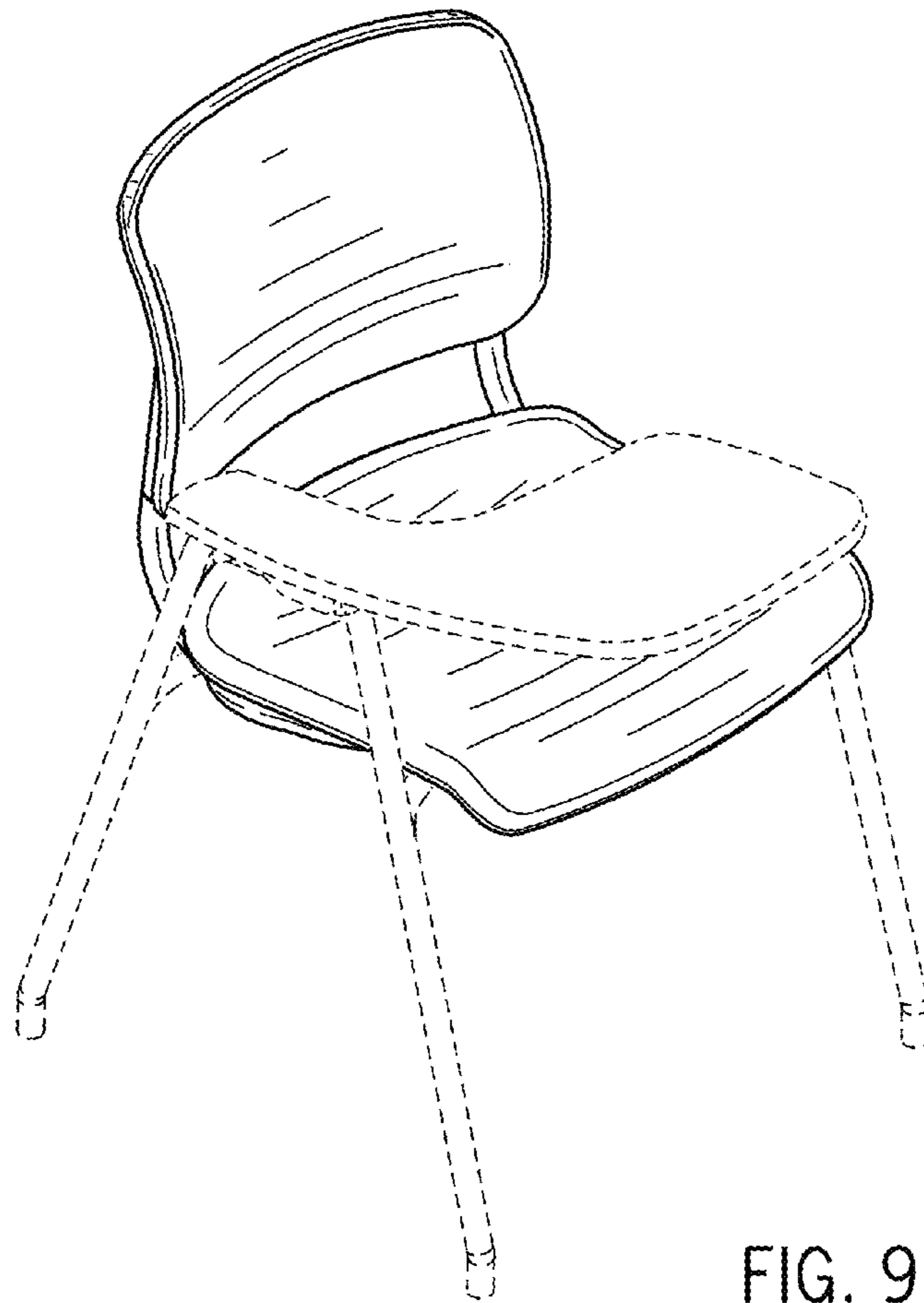


FIG. 9

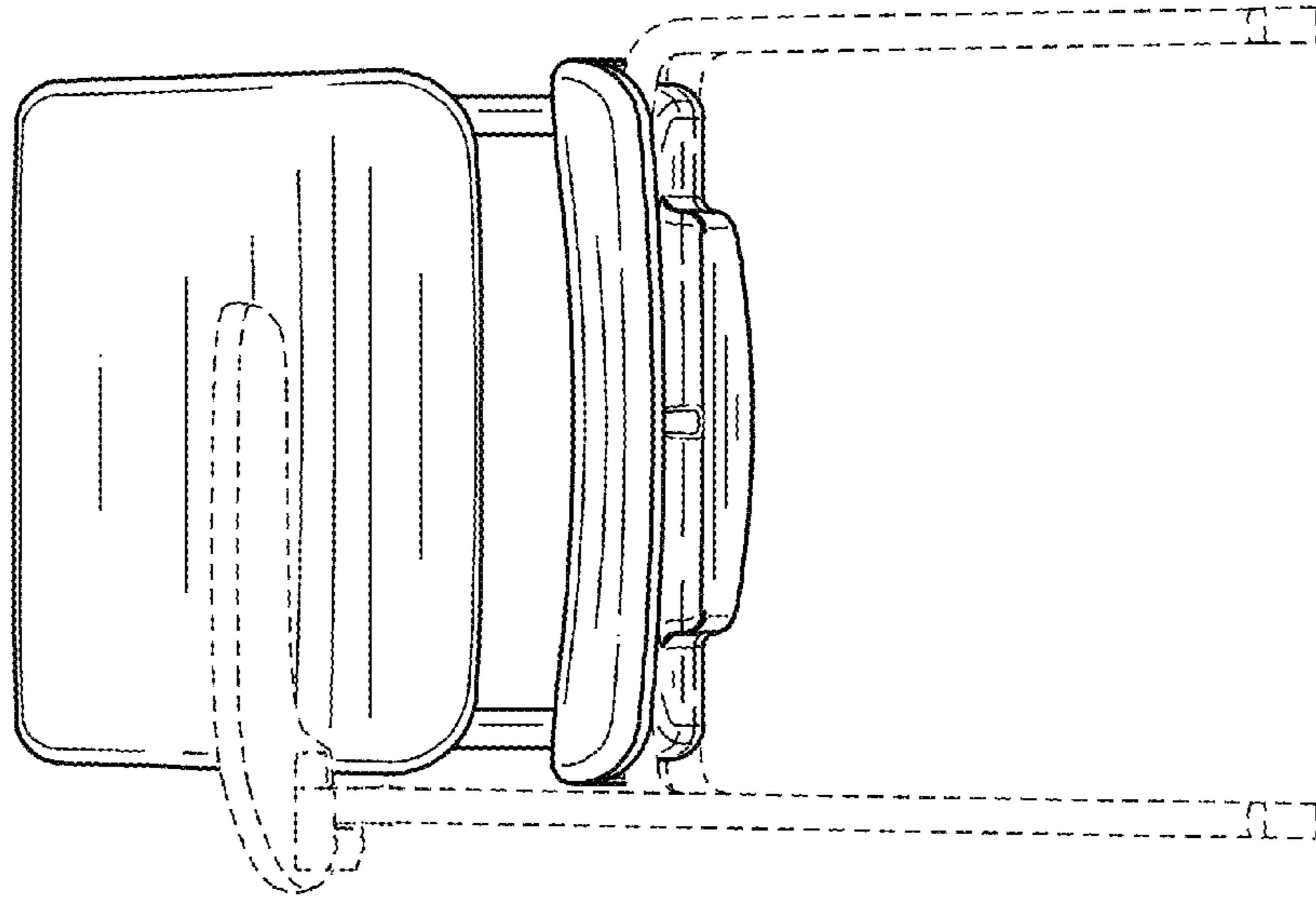


FIG. 11

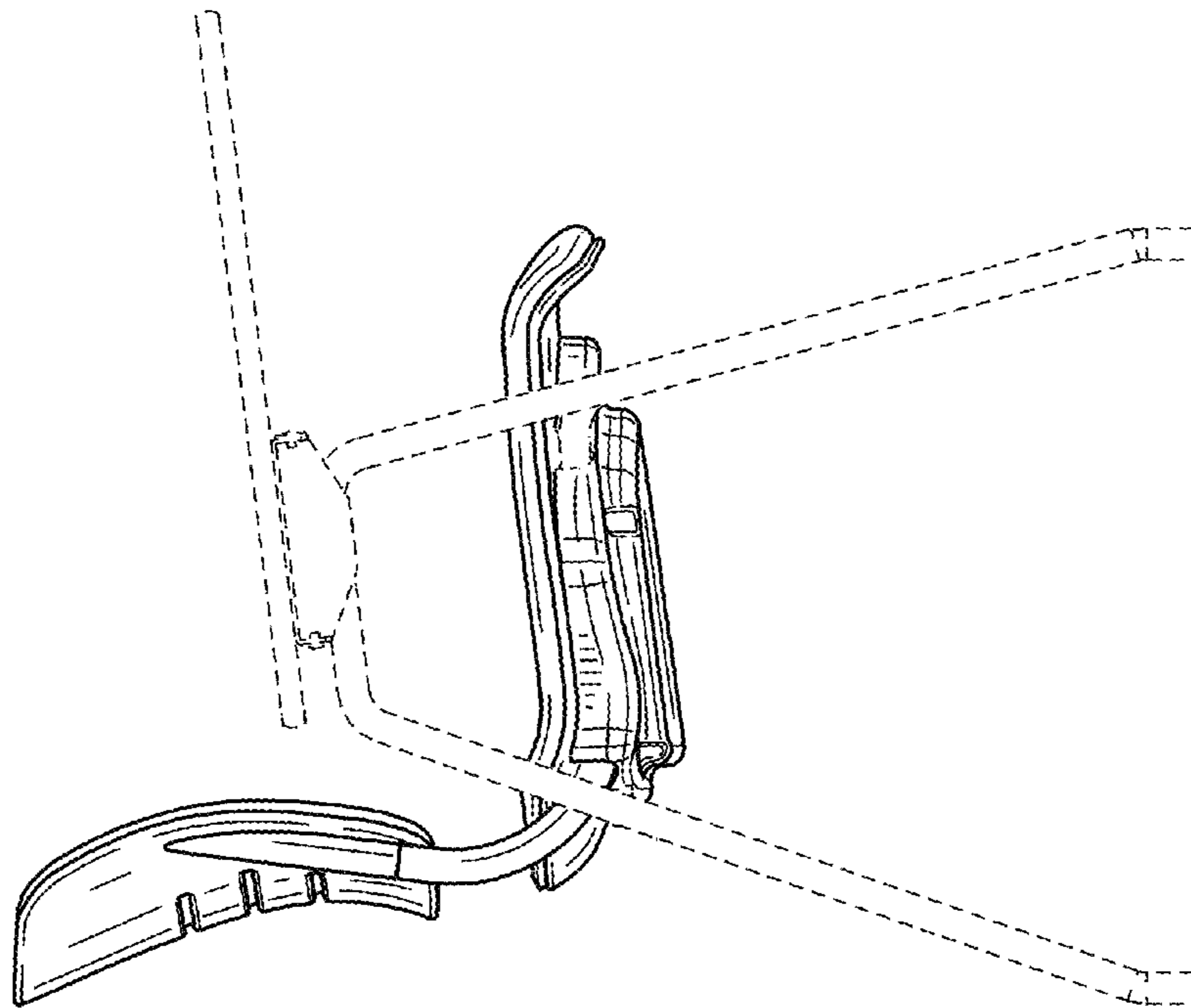


FIG. 10



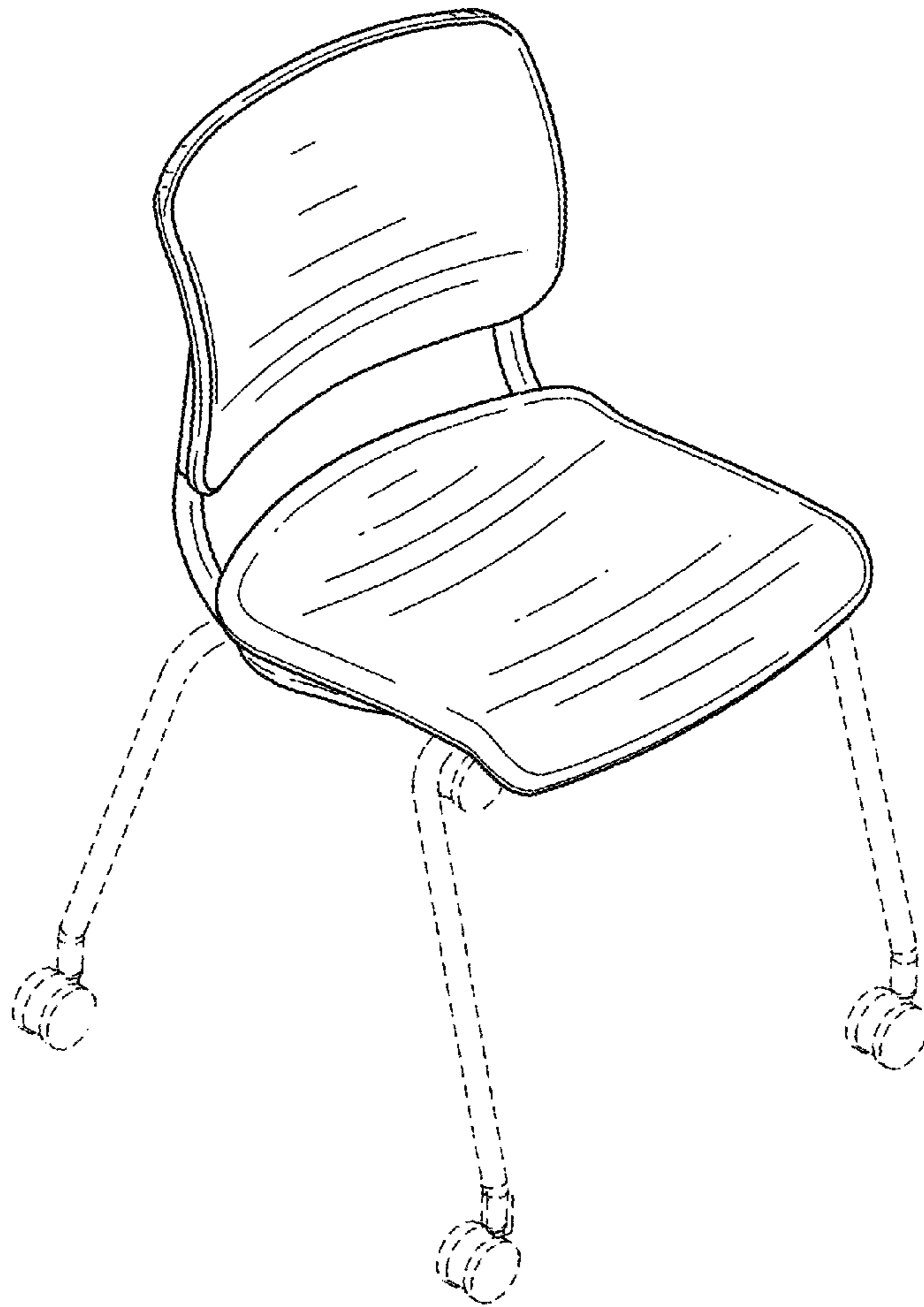


FIG. 12

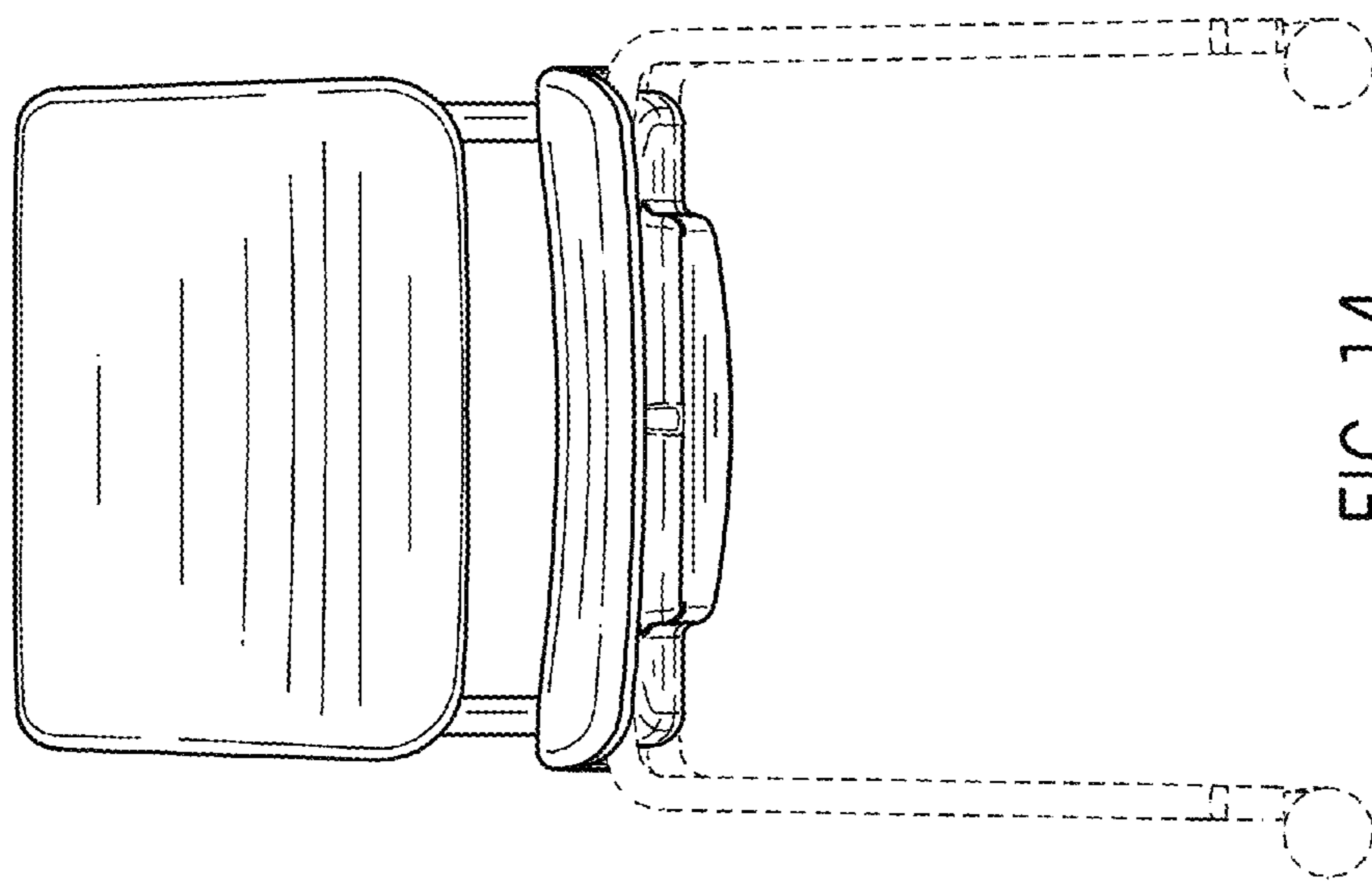


FIG. 14

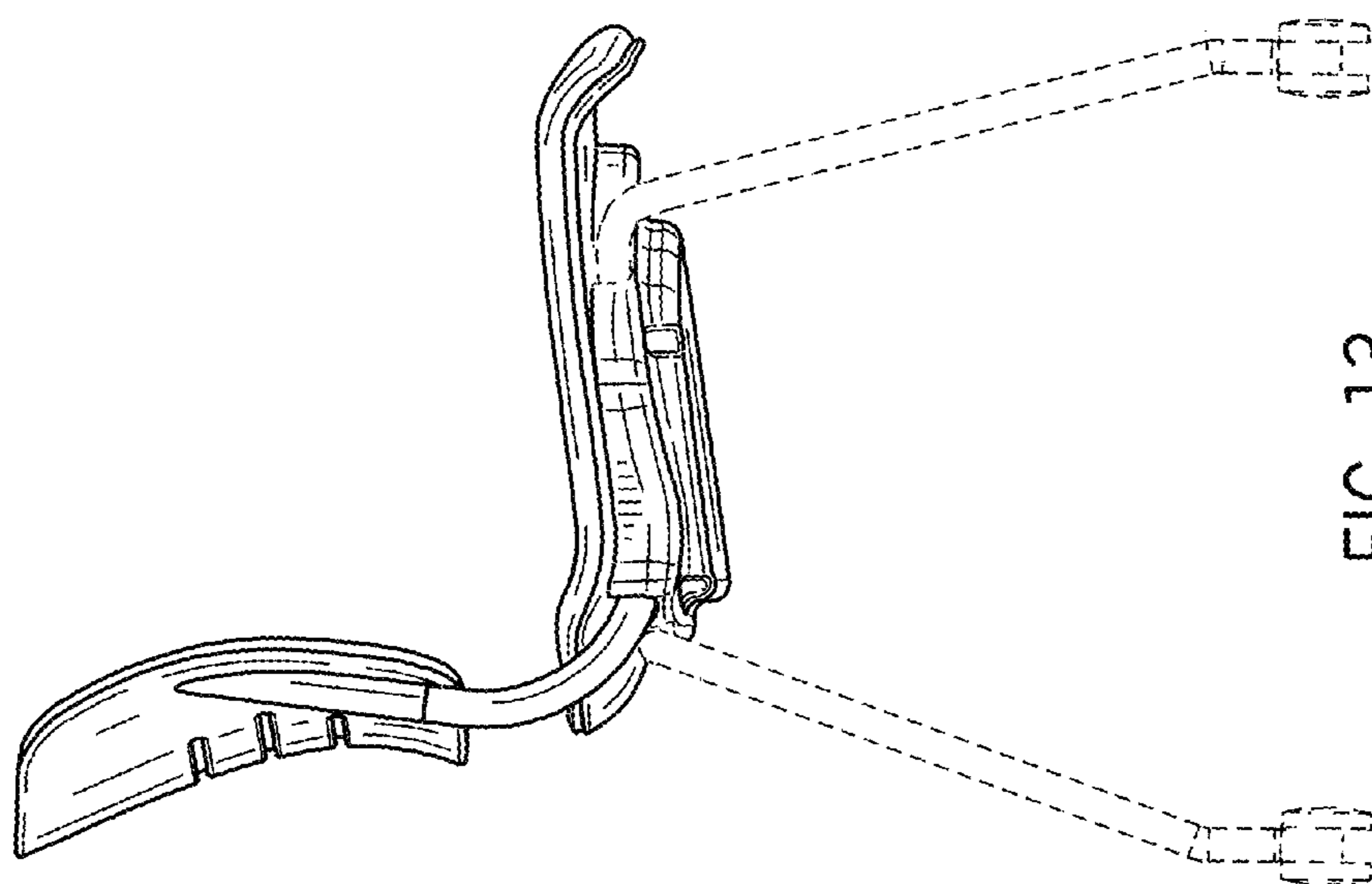


FIG. 13

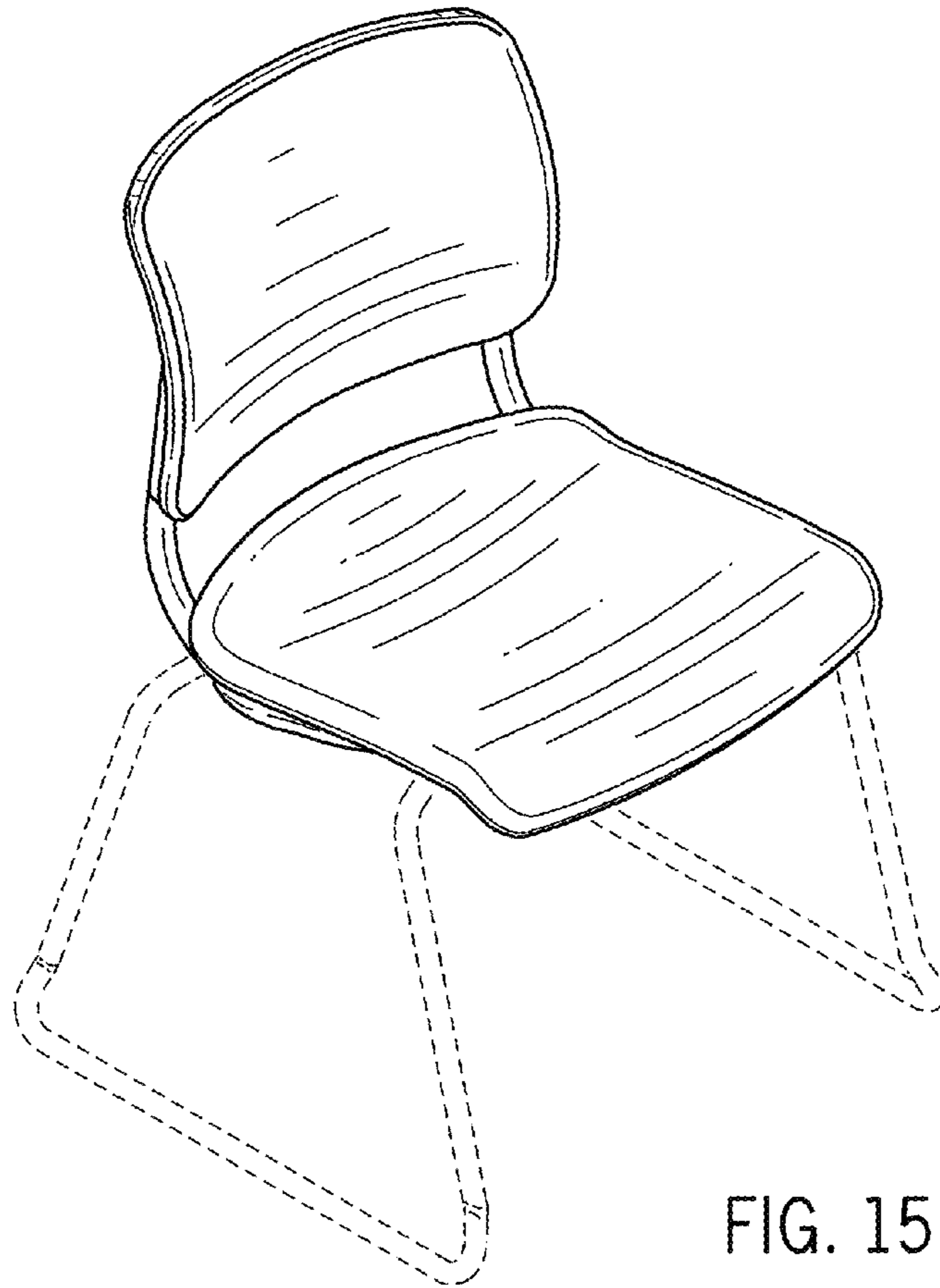


FIG. 15

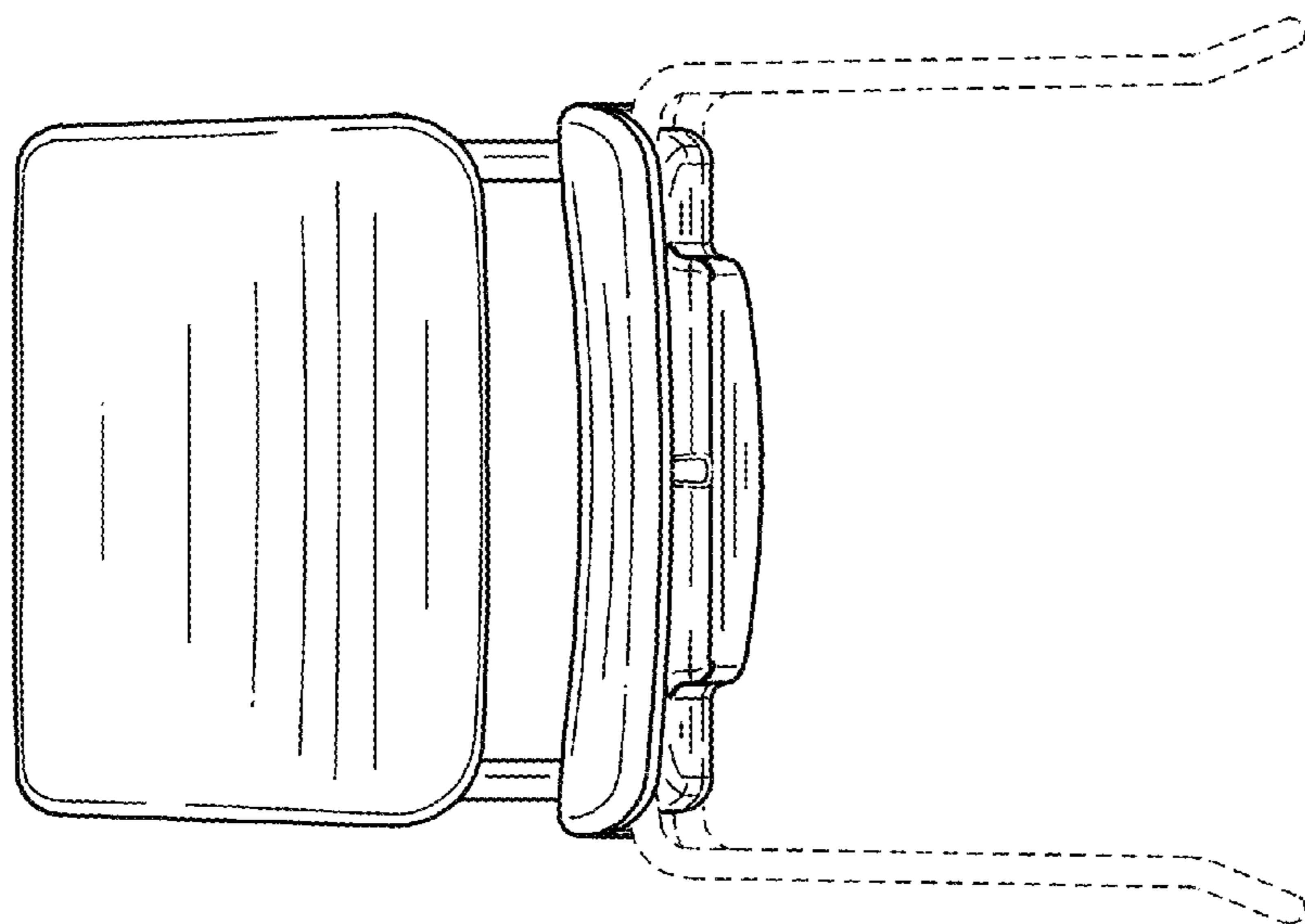


FIG. 17

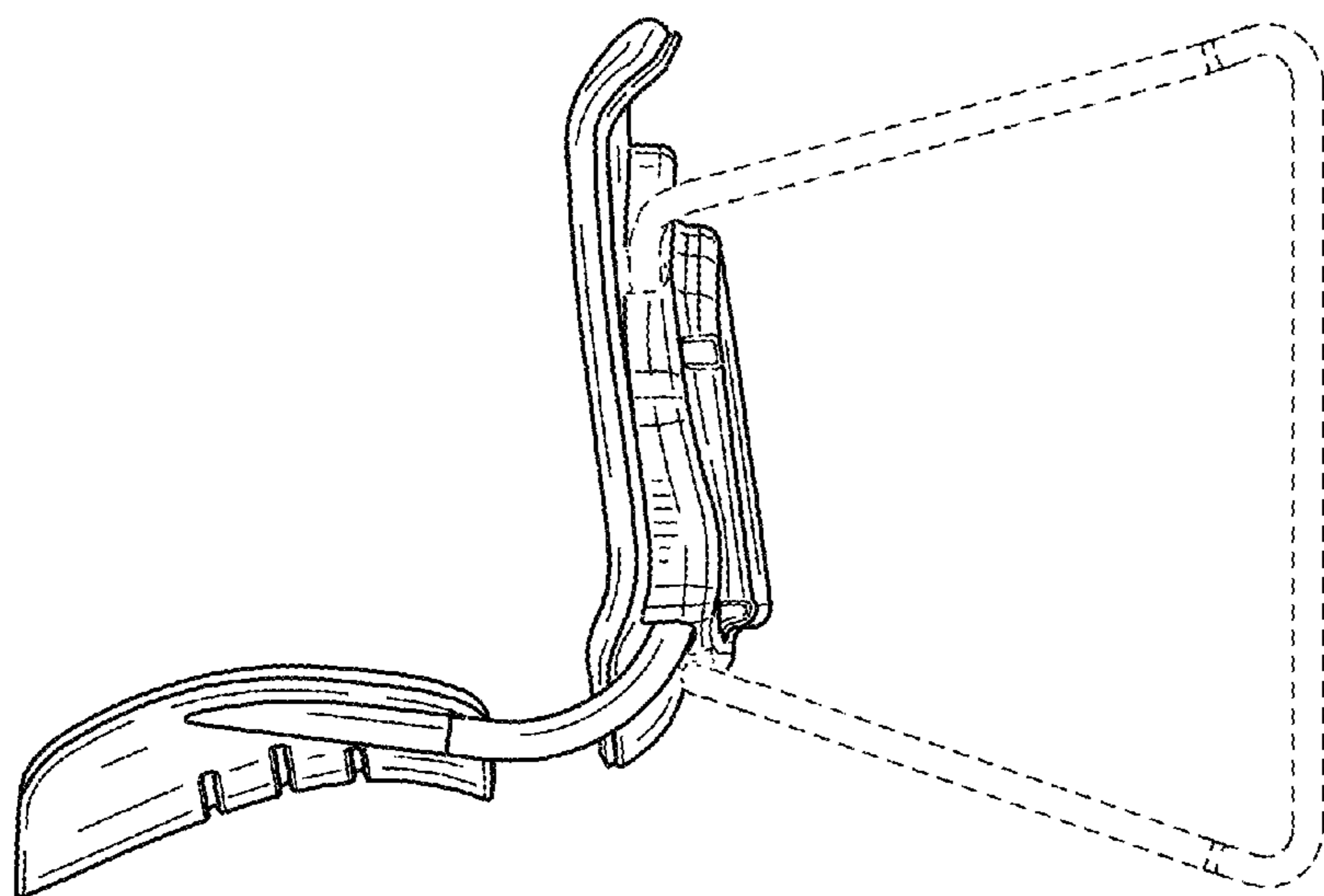


FIG. 16

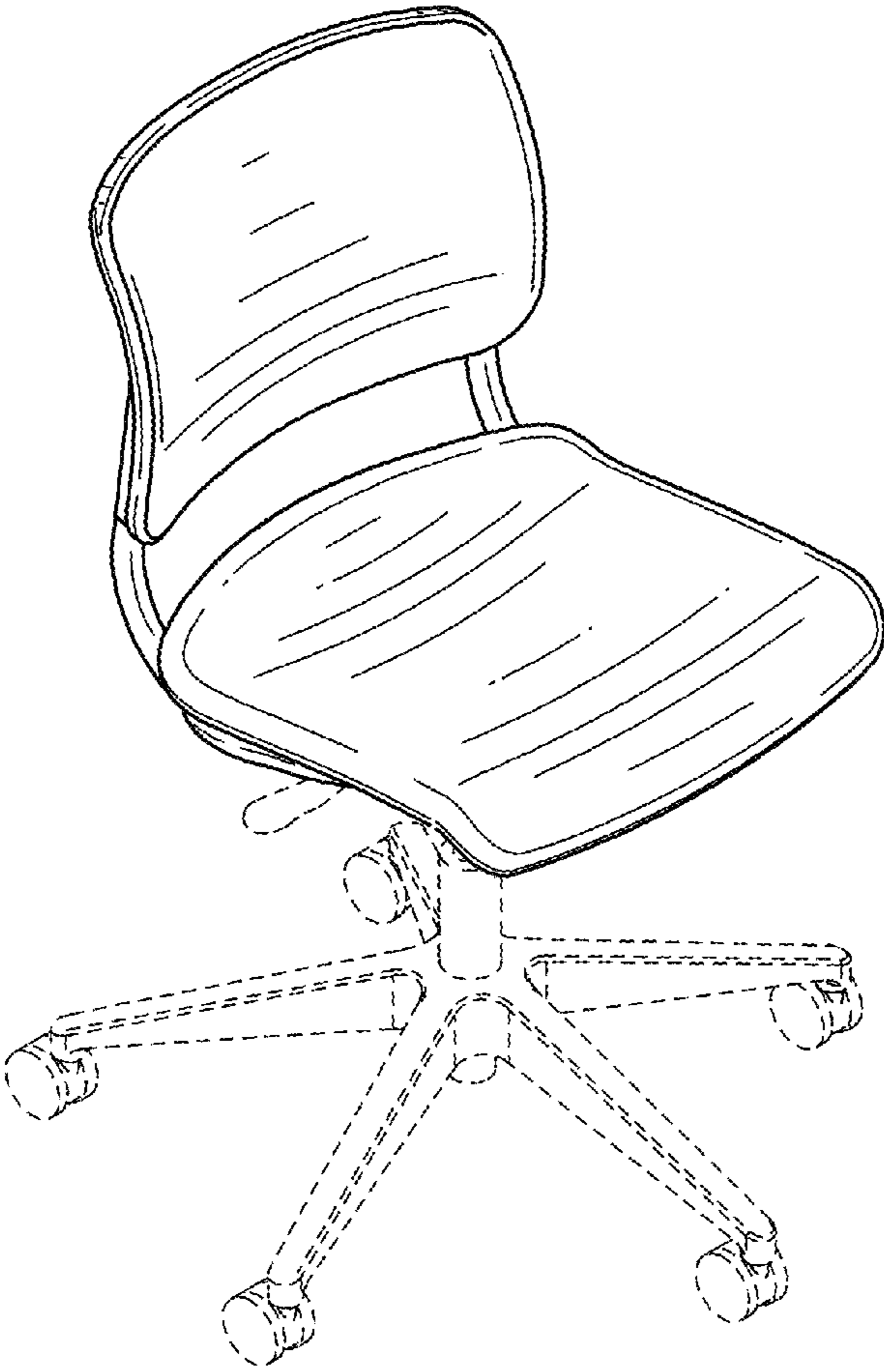


FIG. 18

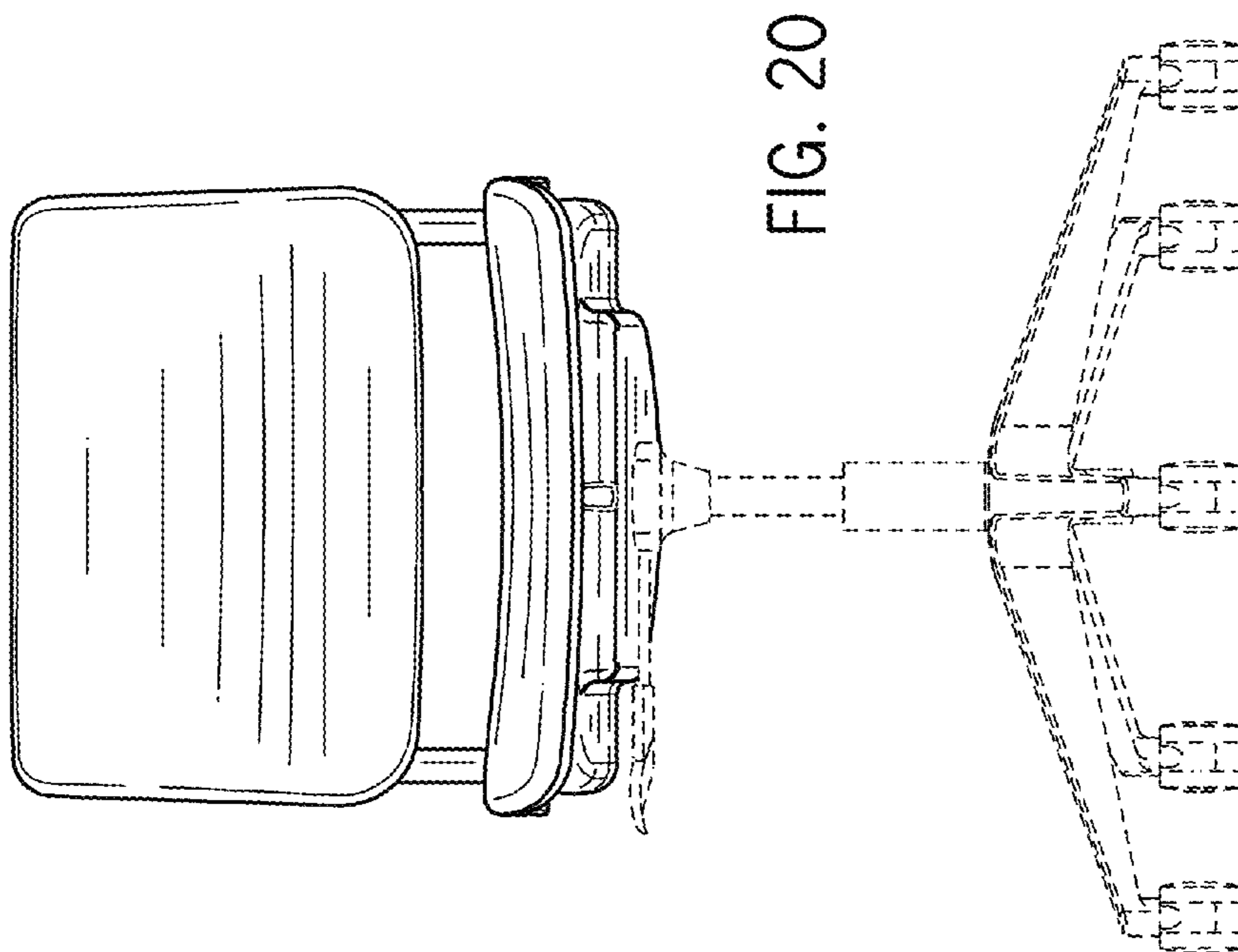


FIG. 20

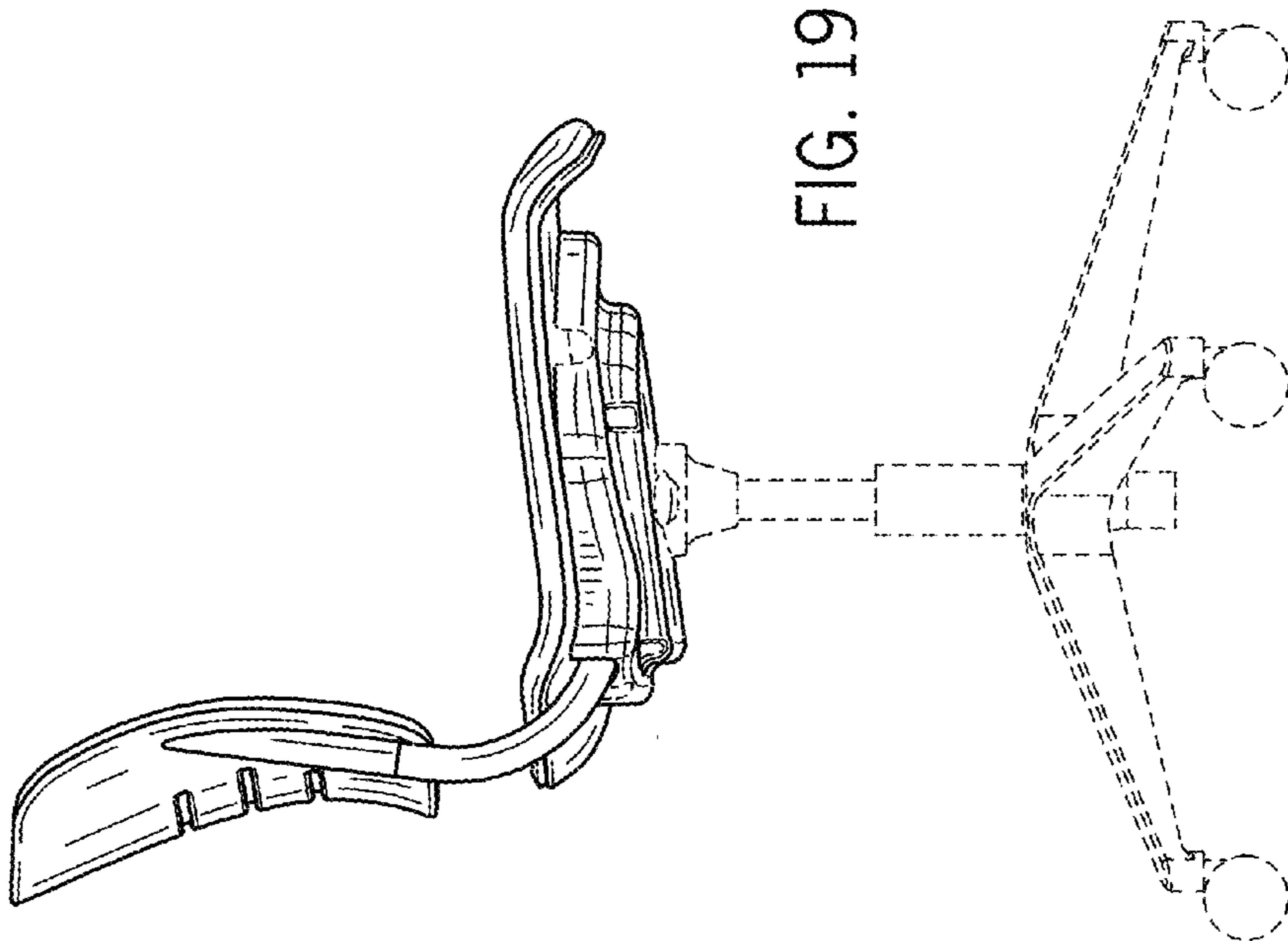


FIG. 19