



US00D673395S

(12) **United States Design Patent**
Piretti

(10) **Patent No.:** **US D673,395 S**

(45) **Date of Patent:** **** Jan. 1, 2013**

(54) **CHAIR**

(75) Inventor: **Giancarlo Piretti**, Bologna (IT)

(73) Assignee: **Pro-Cord S.p.A.**, Bologna (IT)

(**) Term: **14 Years**

(21) Appl. No.: **29/419,250**

(22) Filed: **Apr. 26, 2012**

(51) **LOC (9) Cl.** **06-01**

(52) **U.S. Cl.** **D6/500; D6/376; D6/380**

(58) **Field of Classification Search** D6/334-336,
D6/371-373, 374, 376, 379, 380, 500-502;
297/239, 445.1, 446.1, 452.18, 452.2, 452.21,
297/452.29, 452.46

See application file for complete search history.

(56) **References Cited**

U.S. PATENT DOCUMENTS

D515,331 S *	2/2006	Piretti	D6/380
D594,669 S *	6/2009	Asano	D6/376
D600,935 S *	9/2009	Koh	D6/376
D610,824 S	3/2010	Piretti		
7,686,395 B2	3/2010	Piretti		
D637,838 S *	5/2011	Piretti	D6/500
D637,839 S *	5/2011	Piretti	D6/500

D638,641 S *	5/2011	Piretti	D6/500
D642,819 S	8/2011	Piretti		
D643,652 S	8/2011	Piretti		
D648,968 S	11/2011	Piretti et al.		
D650,616 S	12/2011	Piretti		
D664,786 S *	8/2012	Keller et al.	D6/376

* cited by examiner

Primary Examiner — Mimoso De

(74) *Attorney, Agent, or Firm* — Andrus, Scales, Starke & Sawall, LLP

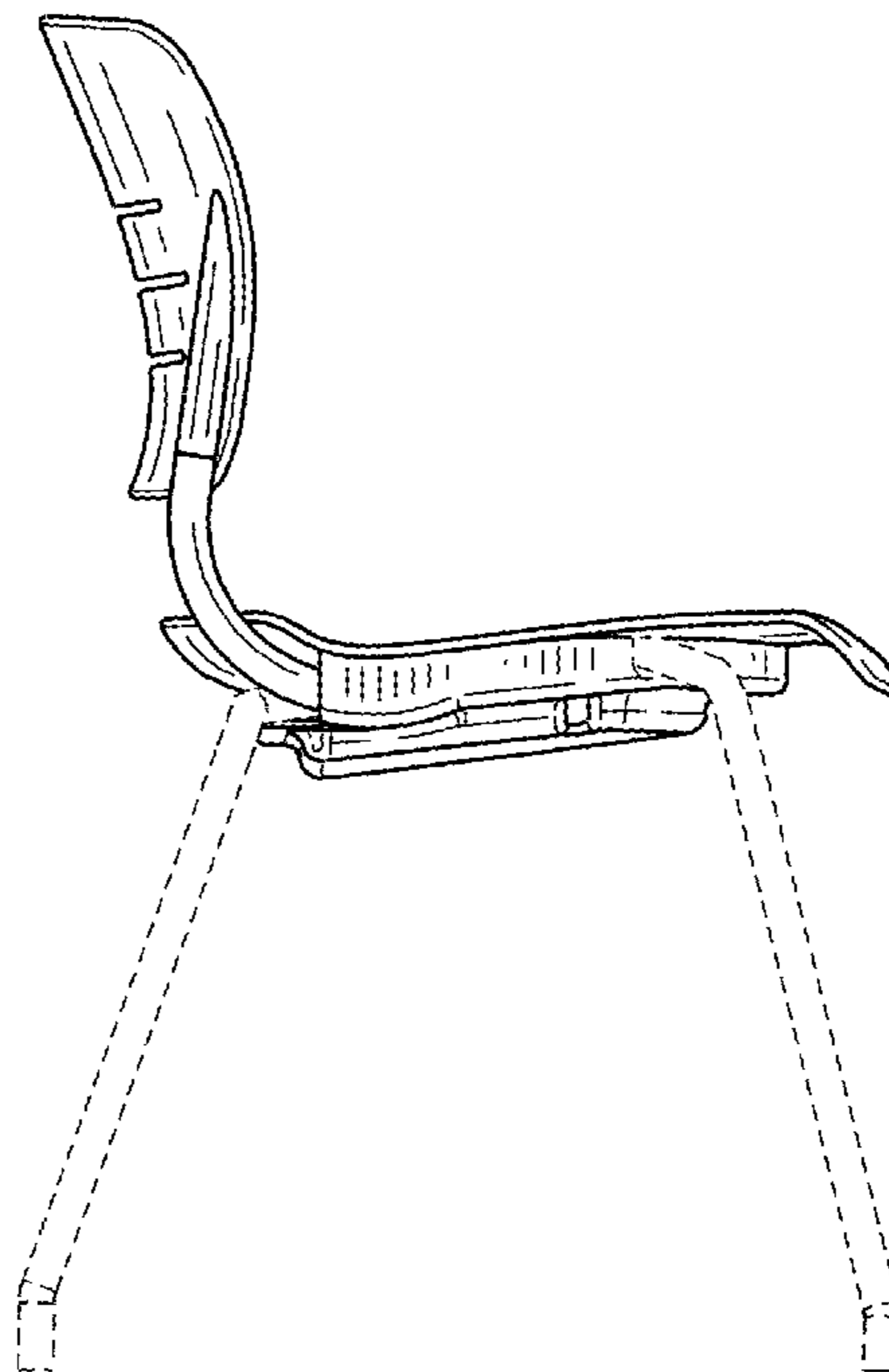
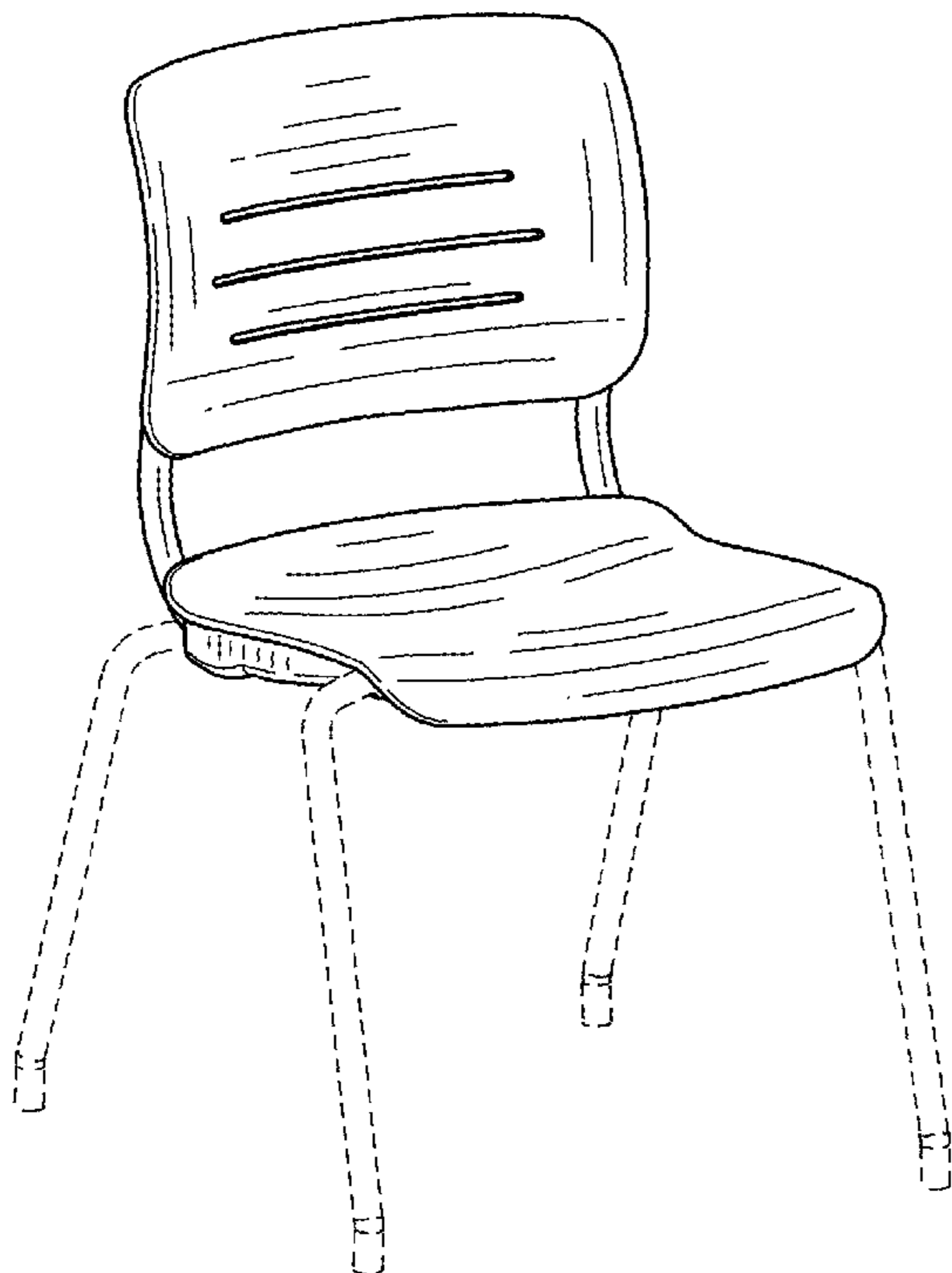
(57) **CLAIM**

The ornamental design for a chair, as shown and described.

DESCRIPTION

FIG. 1 is an isometric view of a chair;
FIG. 2 is a front view thereof;
FIG. 3 is a right side view thereof, wherein the left side view is a mirror image;
FIG. 4 is a back view thereof; and,
FIG. 5 is a top view thereof.
The broken lines shown in the drawing Figures are meant to illustrate environment and form no part of the claimed design.

1 Claim, 3 Drawing Sheets



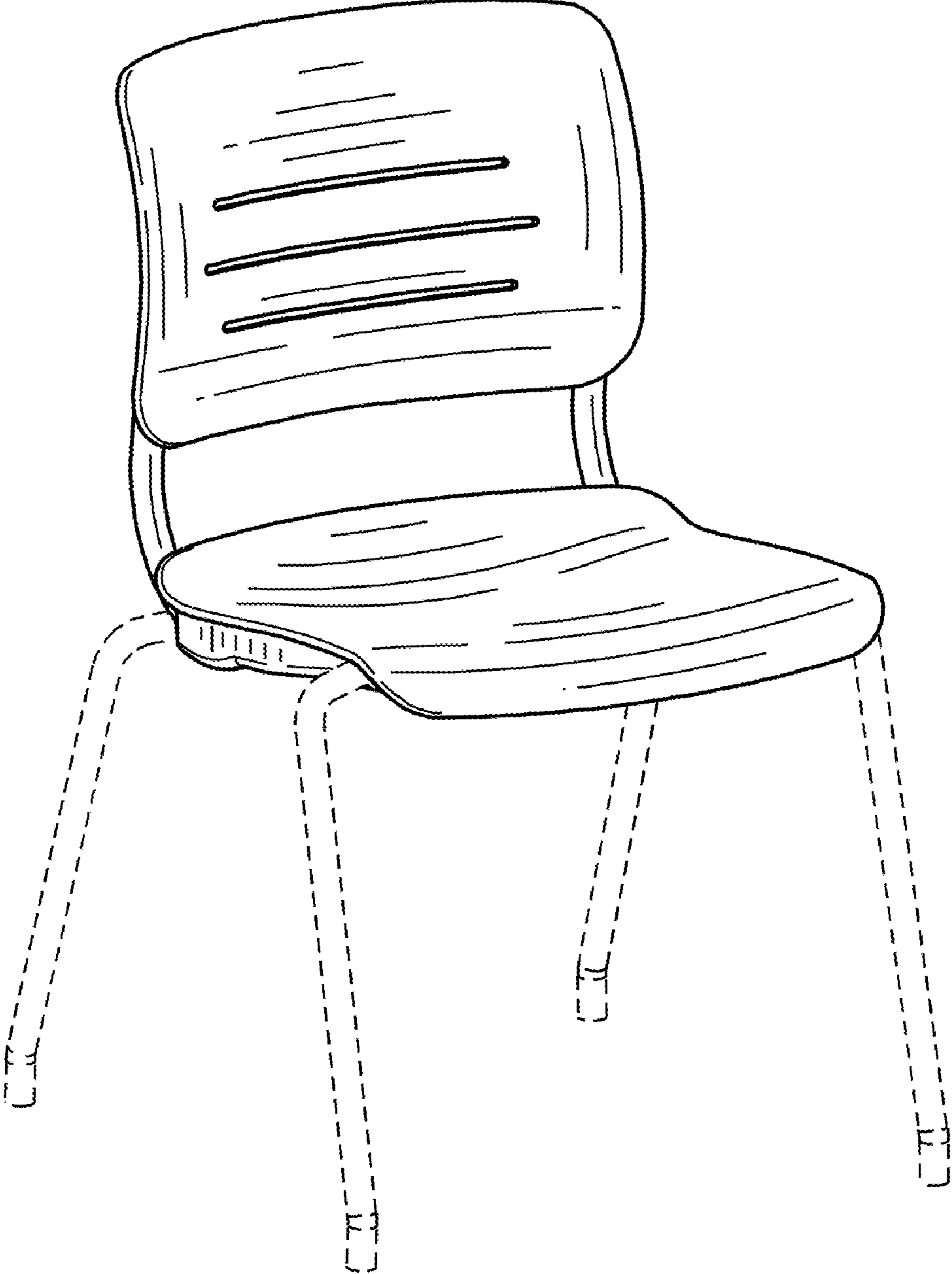


FIG. 1

FIG. 2

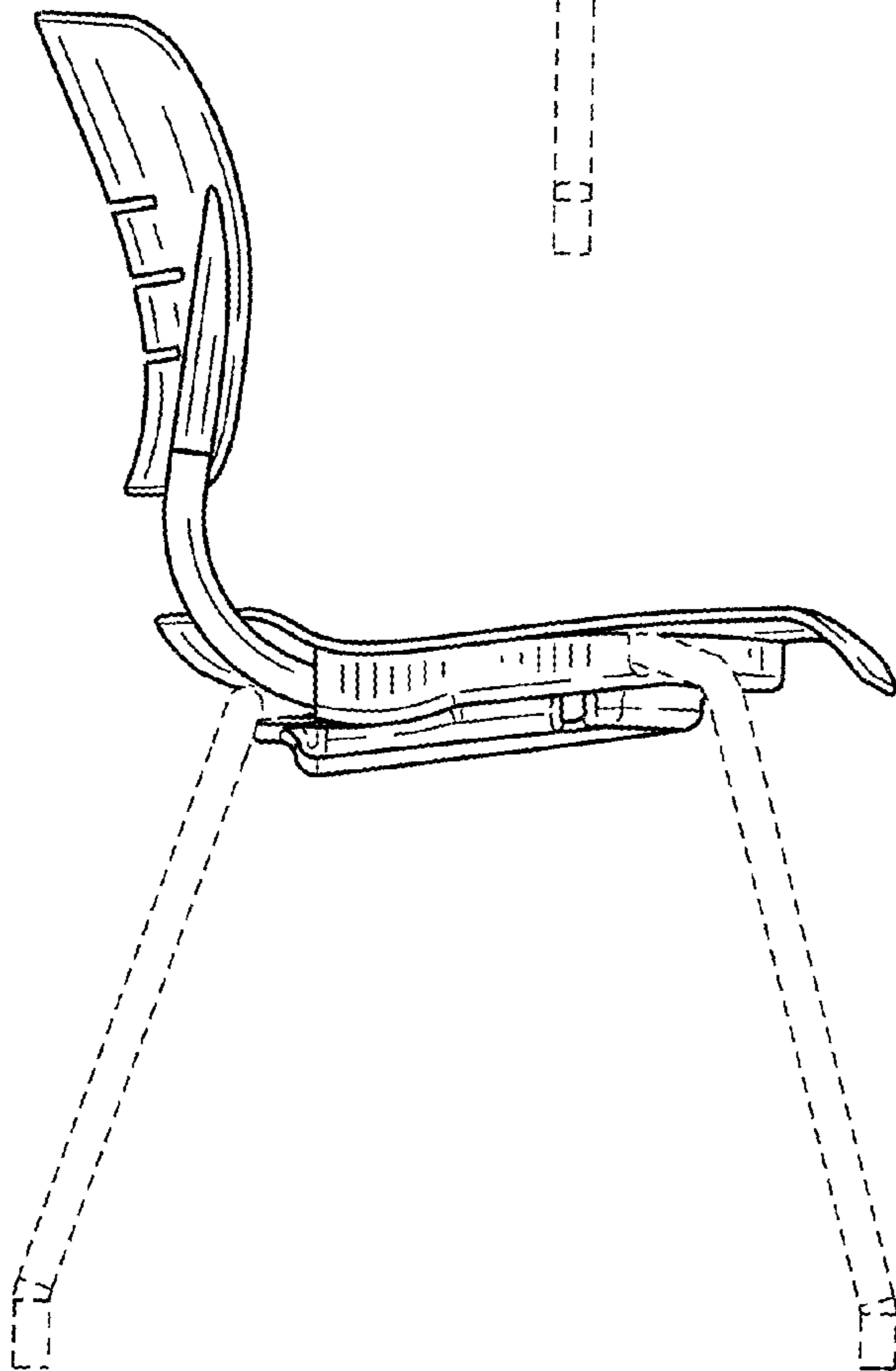
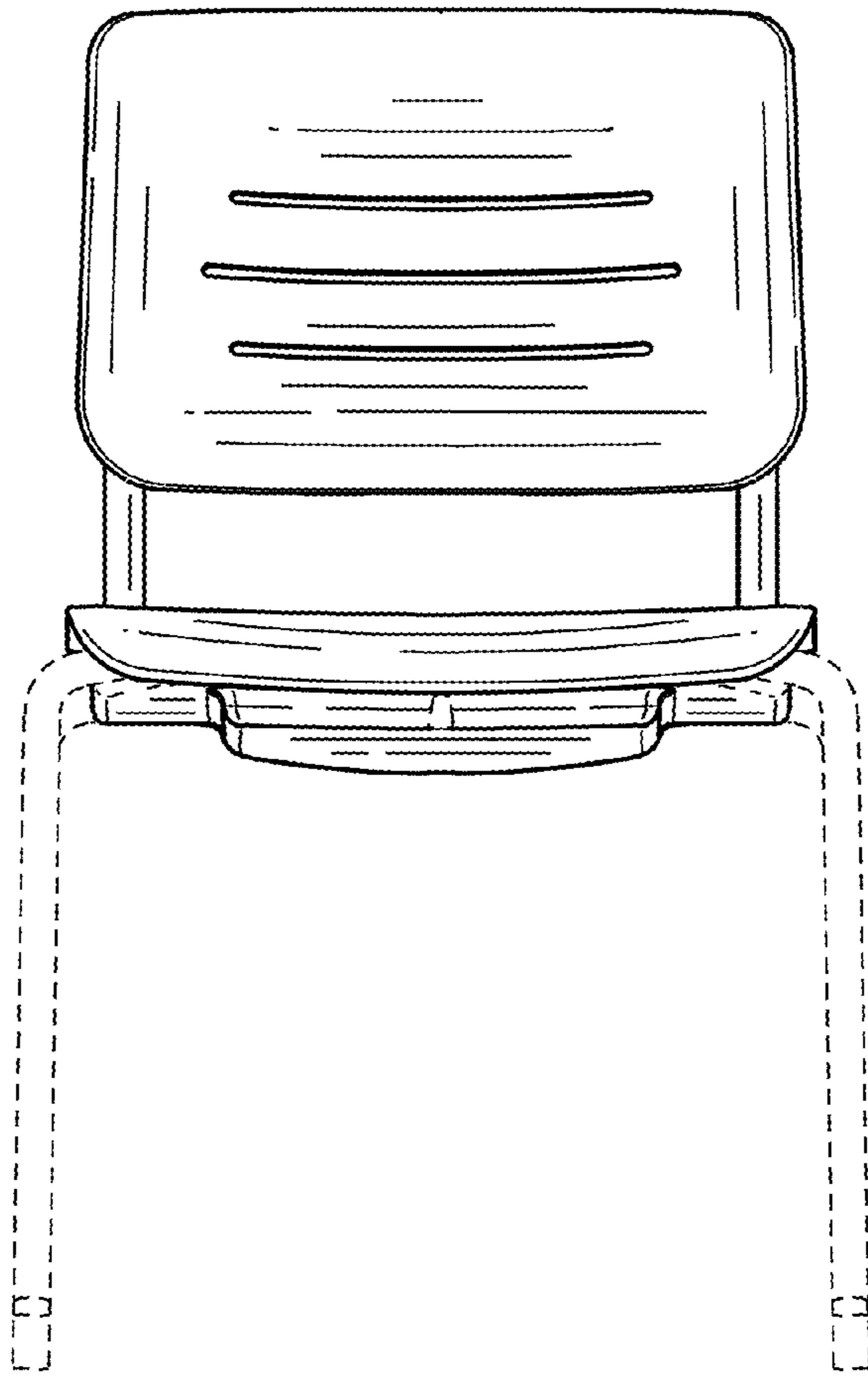


FIG. 3

FIG. 4

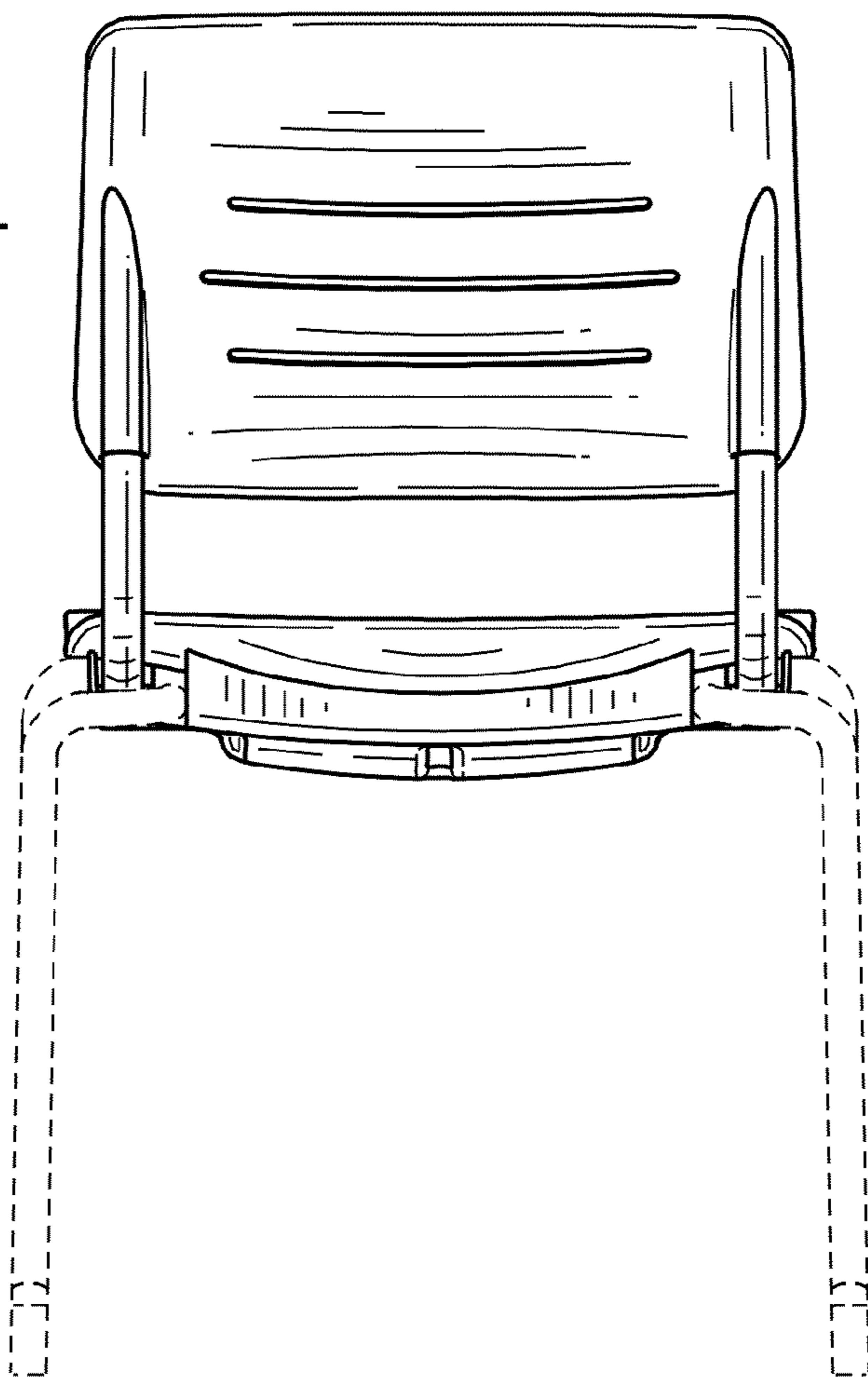


FIG. 5

