



US00D673394S

(12) **United States Design Patent**
Hurford

(10) **Patent No.:** **US D673,394 S**

(45) **Date of Patent:** **** Jan. 1, 2013**

(54) **CHAIR**

(75) Inventor: **Alexander Hurford**, Kanagawa (JP)

(73) Assignee: **Okamura Corporation**, Kanagawa (JP)

(**) Term: **14 Years**

(21) Appl. No.: **29/419,143**

(22) Filed: **Apr. 25, 2012**

(30) **Foreign Application Priority Data**

Oct. 31, 2011 (JP) 2011-025095

(51) **LOC (9) Cl.** **06-01**

(52) **U.S. Cl.** **D6/500**

(58) **Field of Classification Search** D6/334-336,
D6/364, 365, 366, 367, 368, 374, 379, 380,
D6/500-502; 297/284.4, 284.5, 284.6, 284.7,
297/284.8, 452.29, 452.3, 452.56
See application file for complete search history.

(56) **References Cited**

U.S. PATENT DOCUMENTS

5,286,087	A *	2/1994	Elton	297/284.8
D451,293	S *	12/2001	Su	D6/366
6,354,662	B1 *	3/2002	Su	297/284.7
D479,656	S *	9/2003	Ma	D6/366
D489,191	S *	5/2004	Ma	D6/366
D497,501	S *	10/2004	Saylor et al.	D6/500
6,910,741	B2 *	6/2005	Footitt	297/452.29

6,981,743	B2 *	1/2006	Edwards et al.	297/284.7
D534,384	S *	1/2007	Su	D6/502
D653,046	S *	1/2012	Saez	D6/366

* cited by examiner

Primary Examiner — Mimoso De

(74) *Attorney, Agent, or Firm* — Sughrue Mion, PLLC

(57) **CLAIM**

The ornamental design for a chair, as shown and described.

DESCRIPTION

FIG. 1 is a perspective view from the rear side of a chair.

FIG. 2 is a perspective view from the front side thereof.

FIG. 3 is a front elevation view thereof.

FIG. 4 is a right side elevation view thereof.

FIG. 5 is a left side elevation view thereof.

FIG. 6 is a top plan view thereof.

FIG. 7 is a rear elevation view thereof; and,

FIG. 8 is a bottom plan view thereof.

The portions of the chair shown in broken lines are for the purpose of showing environmental structure only and form no part of the claimed design. The backrest sheet is shown in front of the lumbar support in FIGS. 2, 3 and 6, and has a mesh pattern and this backrest sheet forms no part of the claimed design.

1 Claim, 8 Drawing Sheets

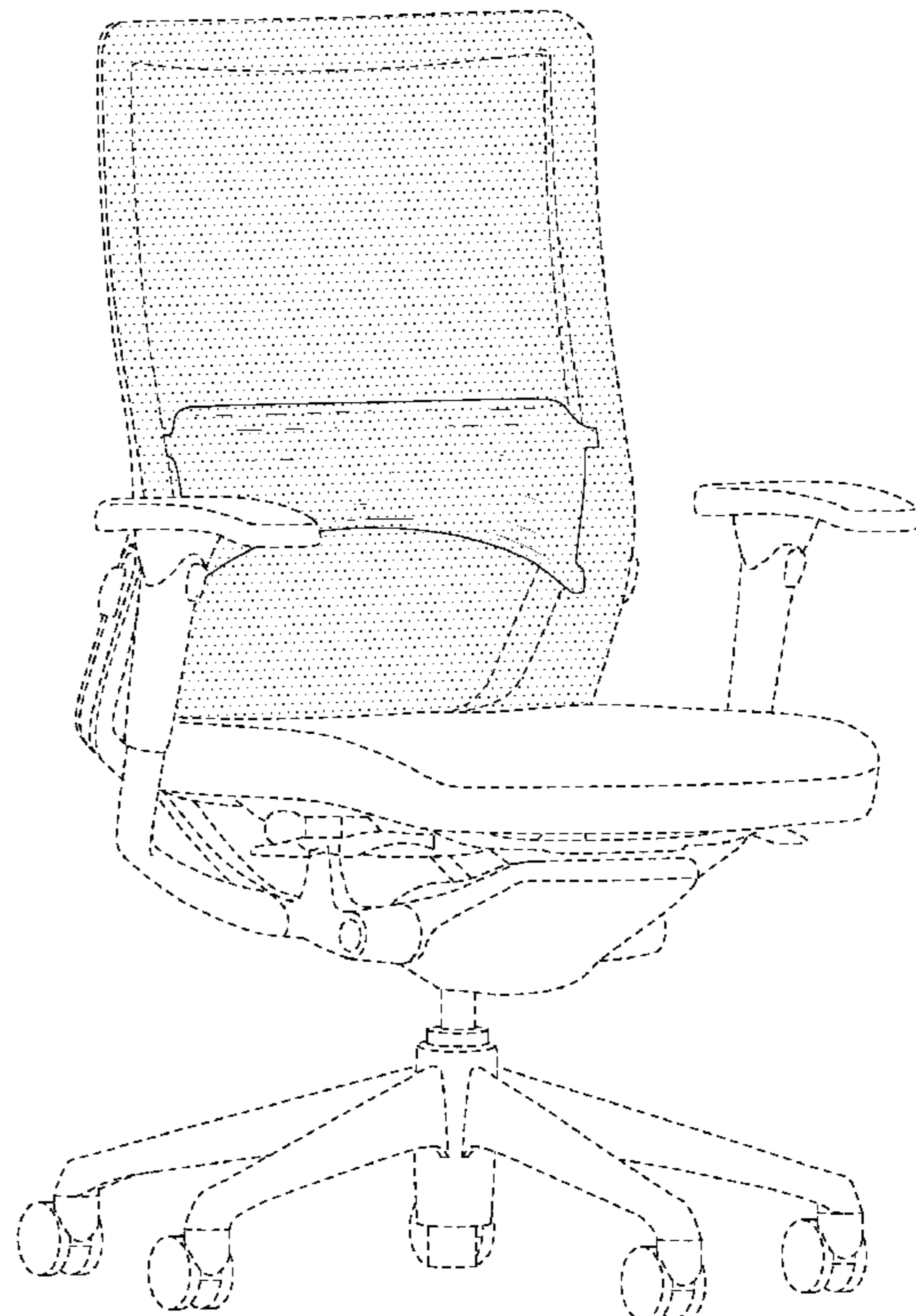
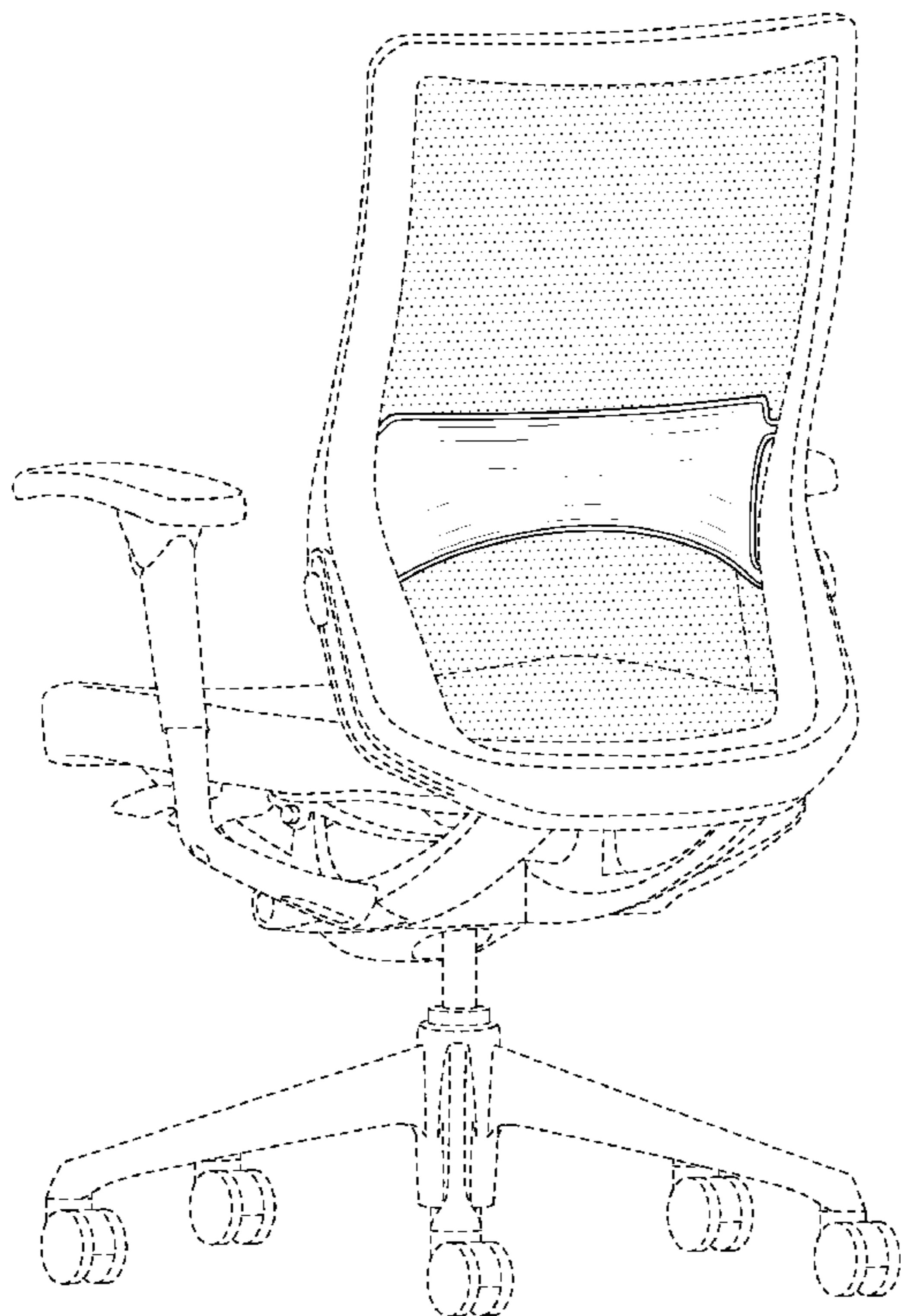


FIG. 1

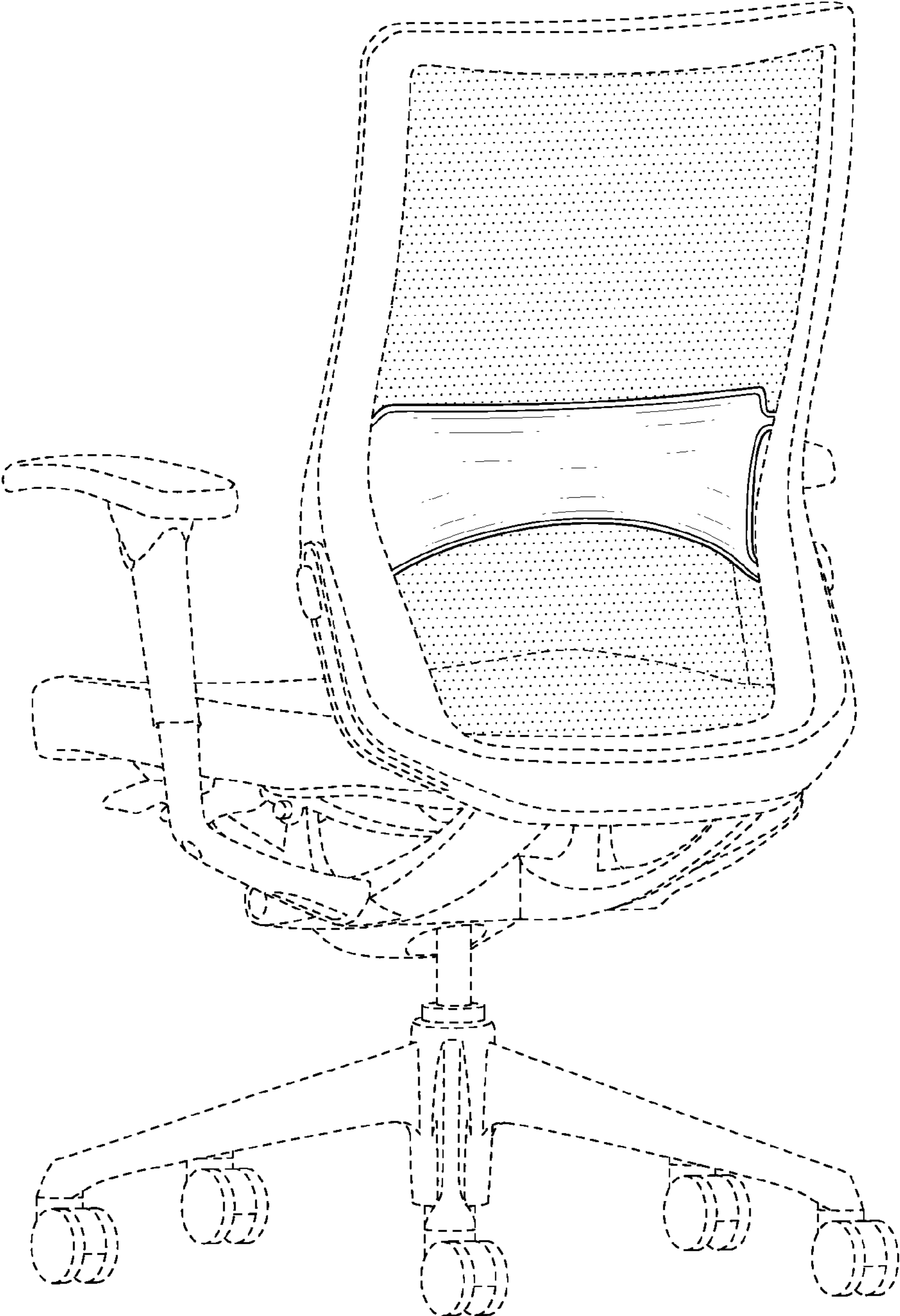


FIG. 2

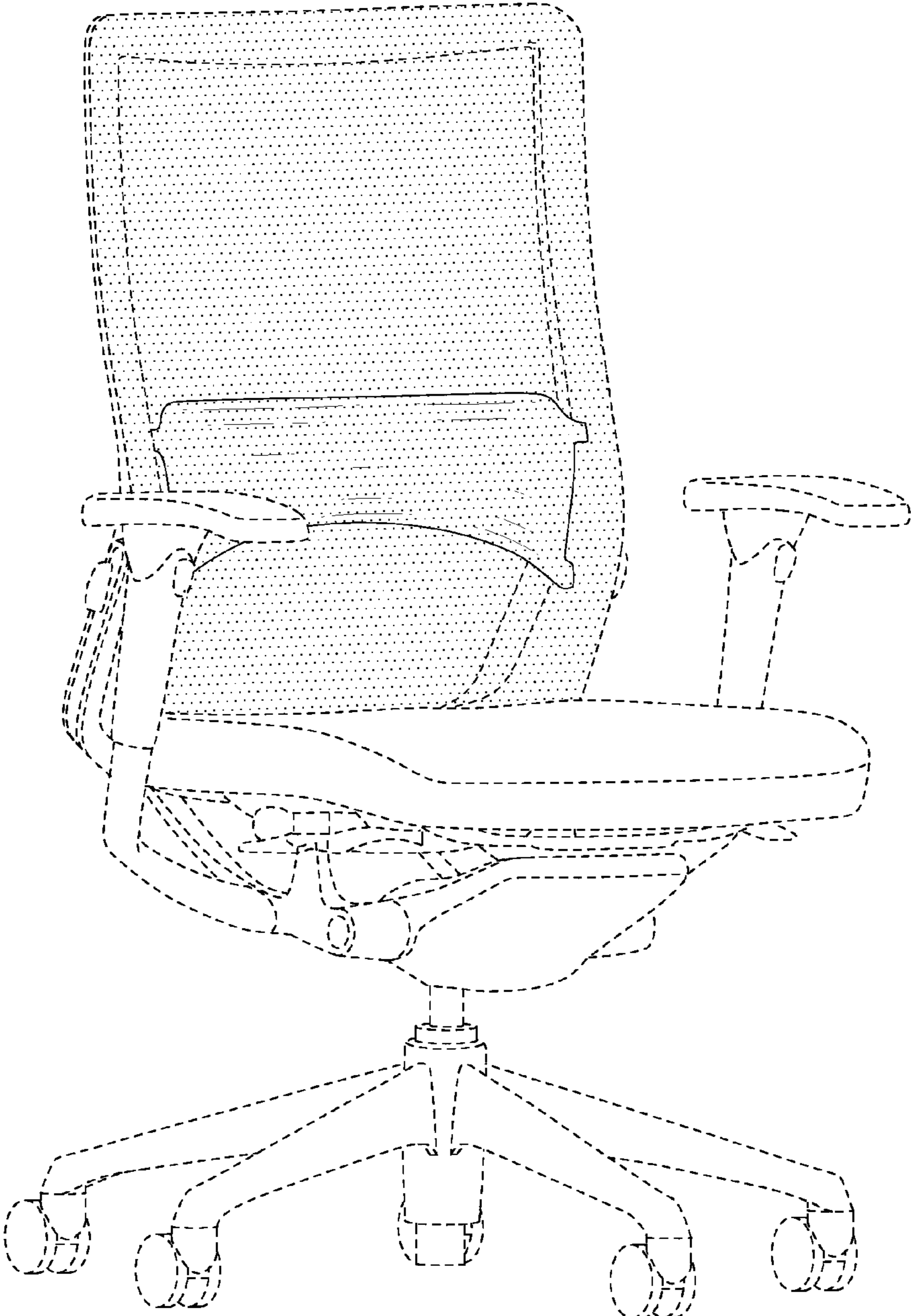


FIG. 3

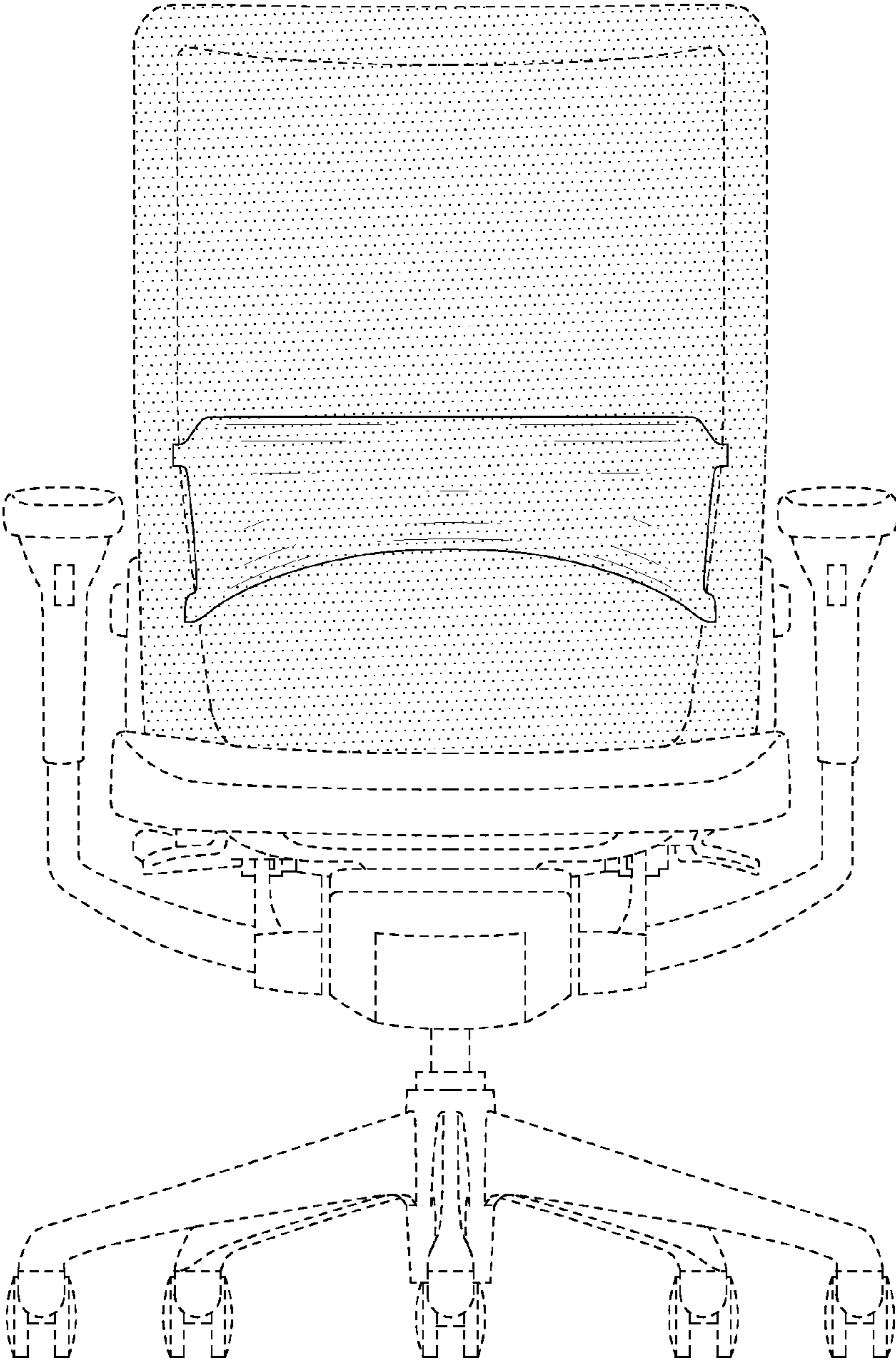


FIG. 4

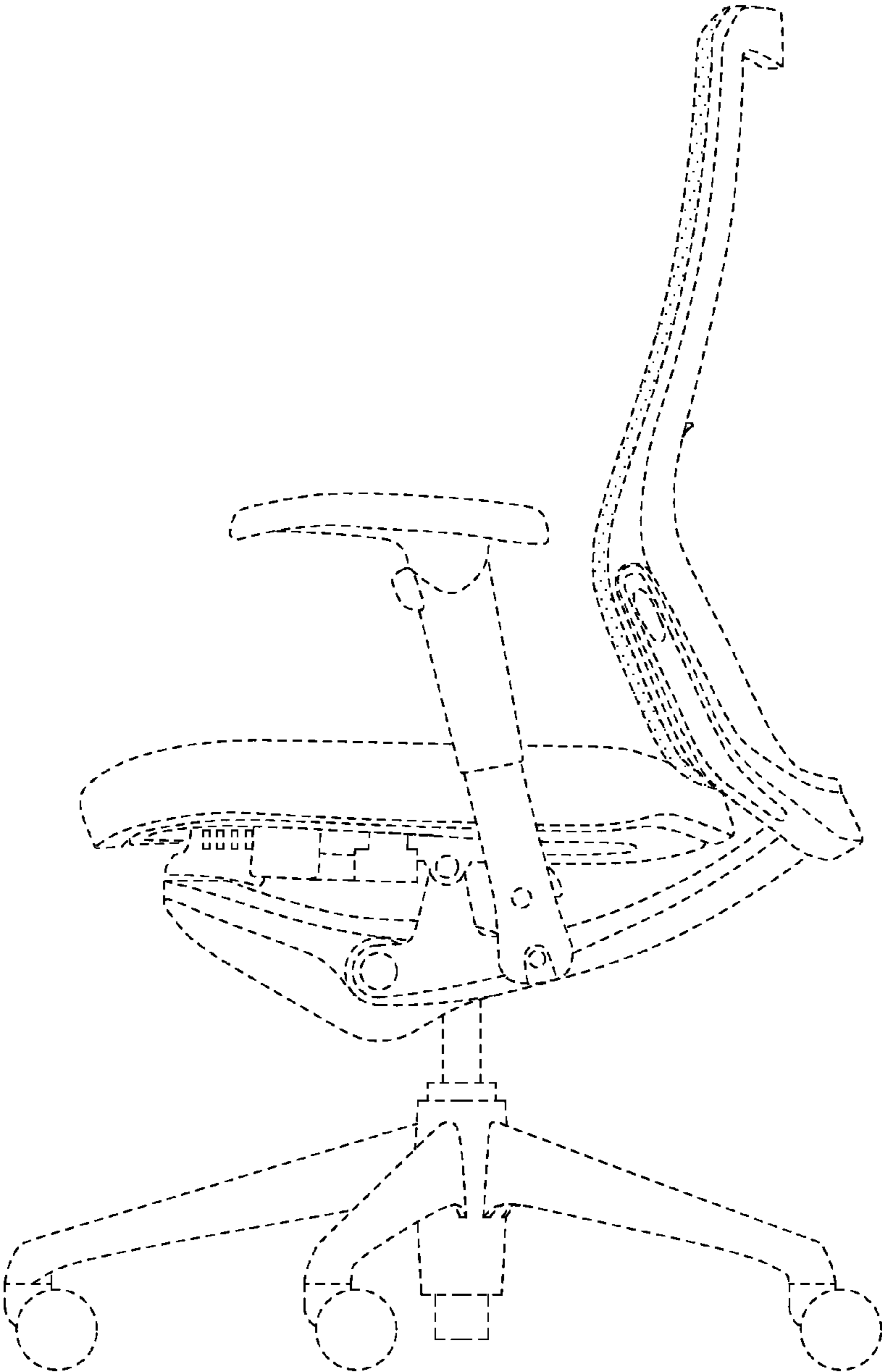


FIG. 5

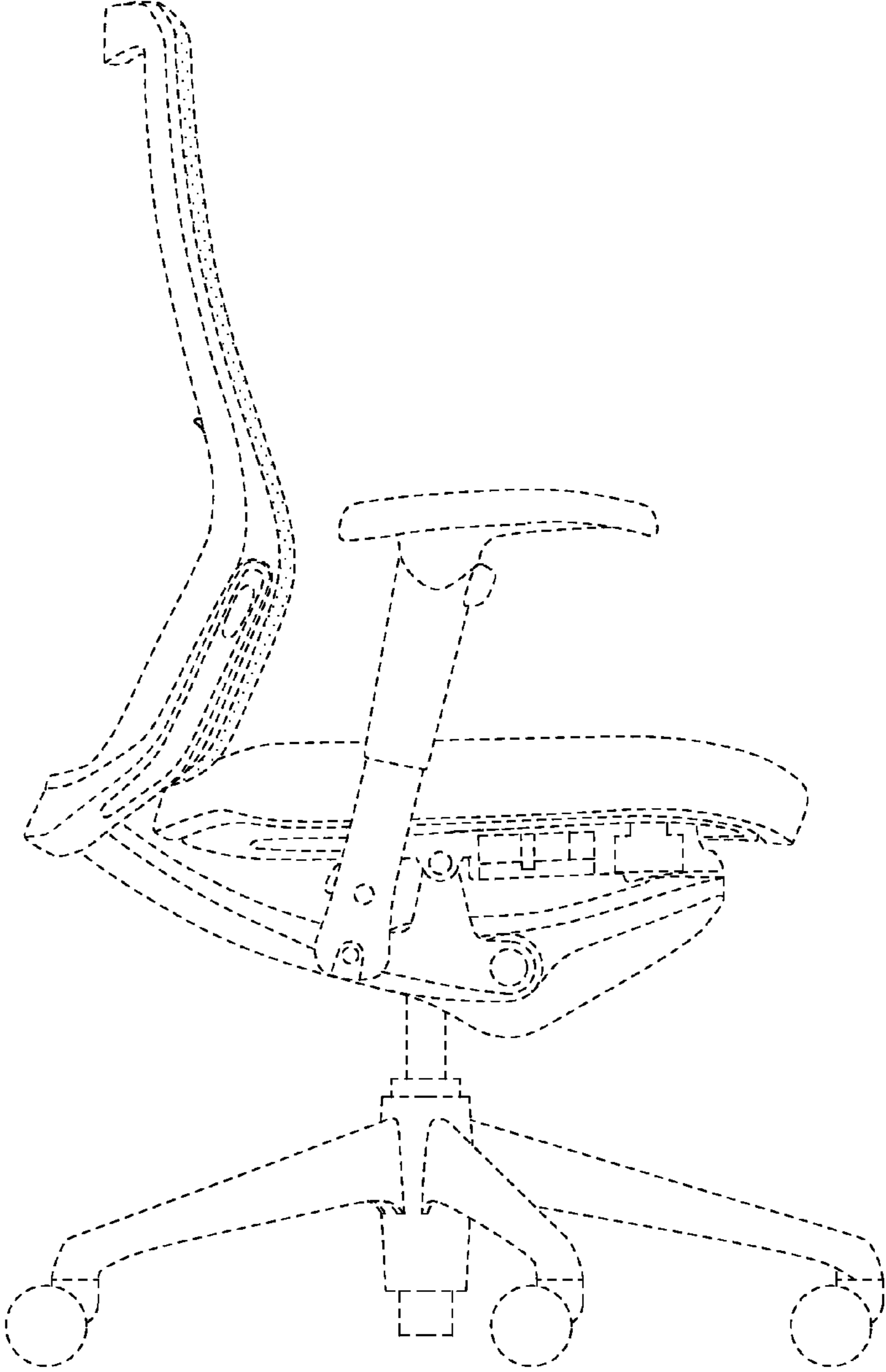


FIG. 6

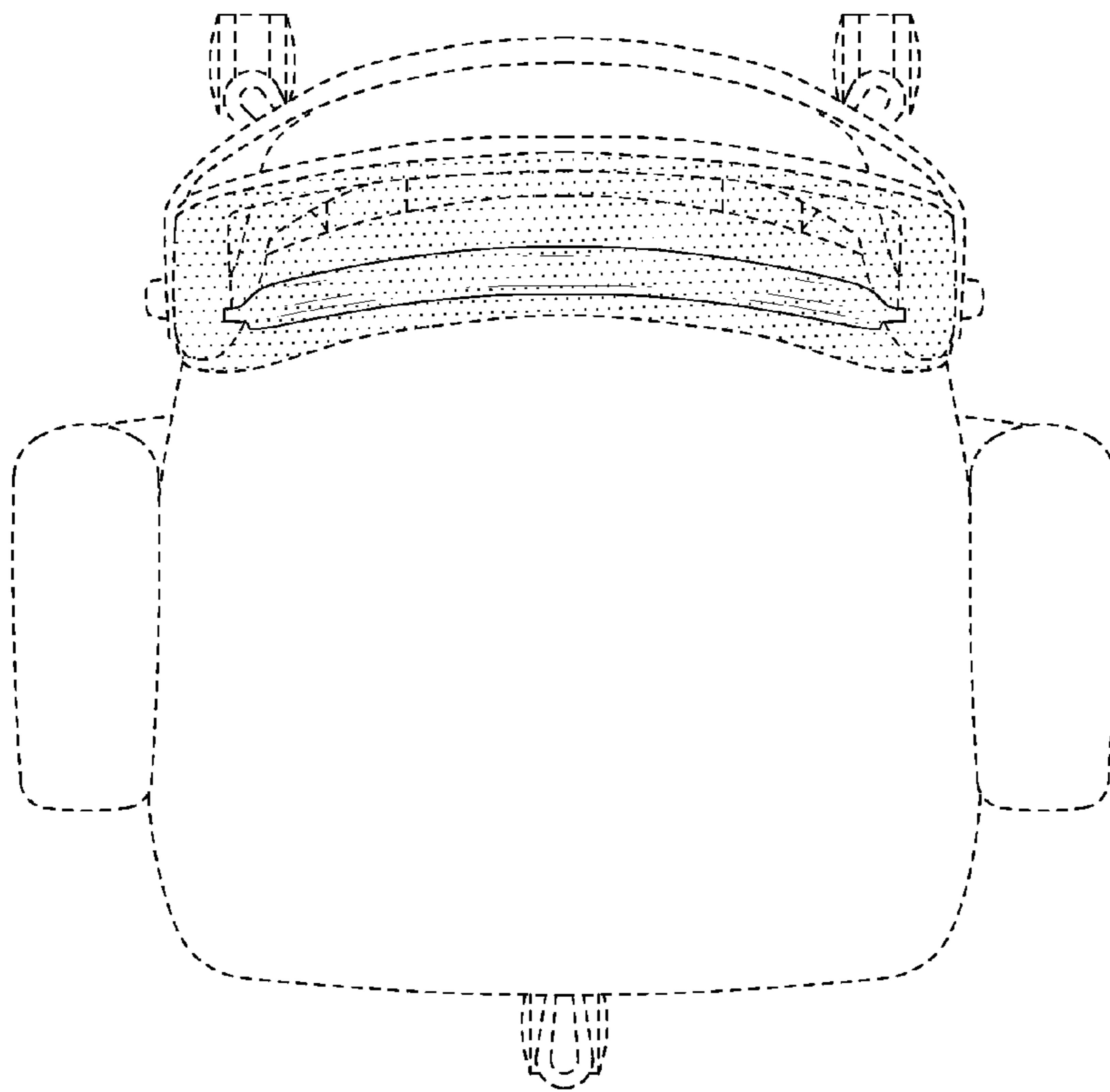


FIG. 7

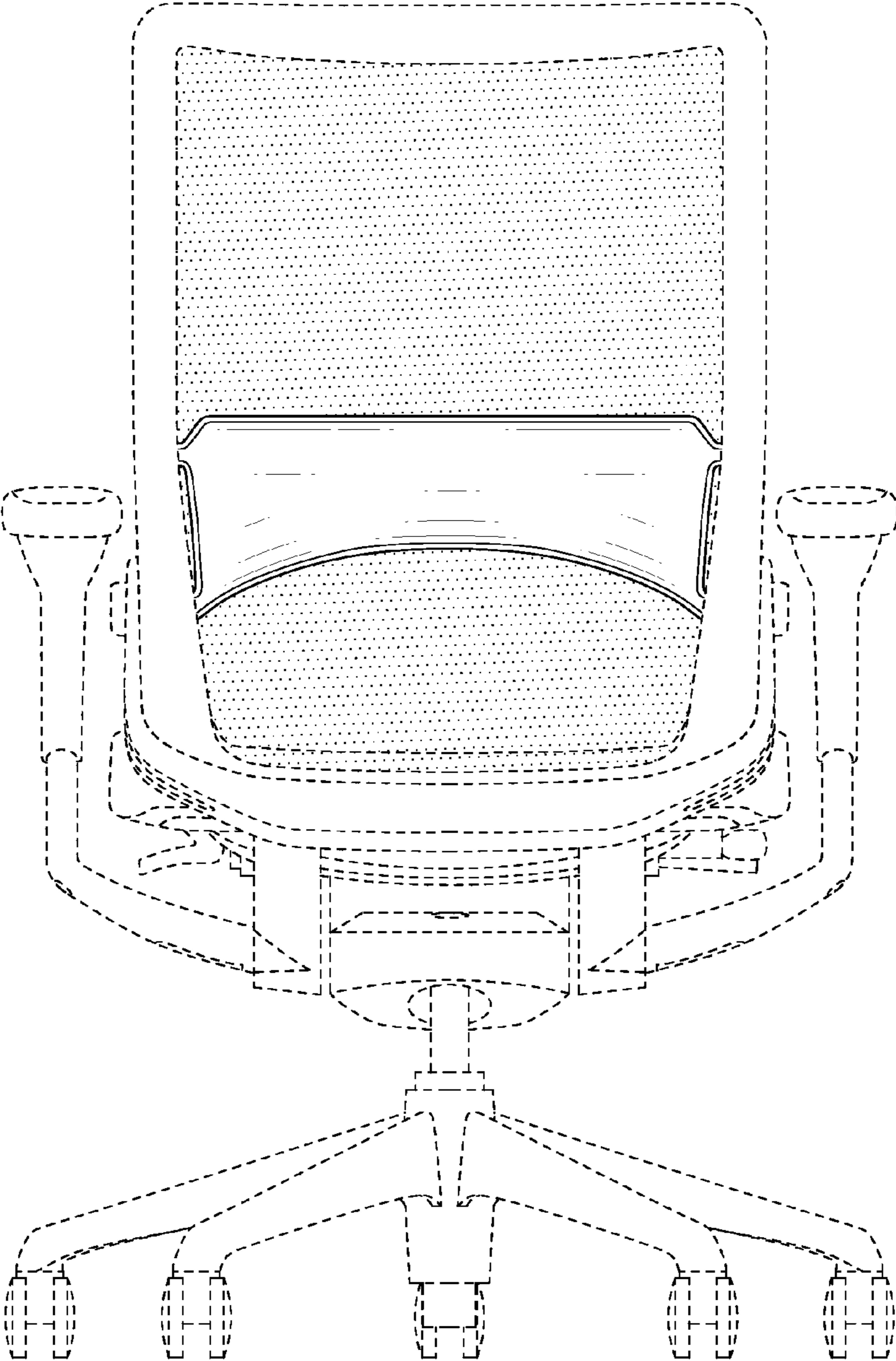


FIG. 8

