



US00D673391S

(12) **United States Design Patent**  
**Whitehead**

(10) **Patent No.:** **US D673,391 S**  
(45) **Date of Patent:** **\*\* Jan. 1, 2013**

(54) **PLIERS RACK**

(75) Inventor: **Michael L. Whitehead**, Clarinda, IA (US)

(73) Assignee: **Lisle Corporation**, Clarinda, IA (US)

(\*\*) Term: **14 Years**

(21) Appl. No.: **29/412,851**

(22) Filed: **Feb. 8, 2012**

(51) **LOC (9) Cl.** ..... **06-04**

(52) **U.S. Cl.** ..... **D6/467**

(58) **Field of Classification Search** ..... D6/407,  
D6/470, 476, 511, 396, 397, 449, 450, 454-469;  
211/1, 4, 10, 13.1, 42, 49.1, 50, 59.2, 59.3,  
211/71.01, 72, 79, 85.1, 85.6, 86.01, 126.1-126.3,  
211/126.15, 133.6, 149, 189, 195; D19/90  
See application file for complete search history.

(56) **References Cited**

**U.S. PATENT DOCUMENTS**

D104,956 S *	6/1937	Baker	.....	D6/470
2,665,808 A	1/1954	McAlister		
3,107,467 A	10/1963	Gates		
3,703,326 A	11/1972	Riviers		
4,454,949 A *	6/1984	Flum	.....	211/59.2
D275,058 S	8/1984	Flum		
4,577,914 A	3/1986	Stravitz		
4,611,720 A	9/1986	Staab		
D289,586 S *	5/1987	Staab	.....	D6/449
4,684,027 A *	8/1987	Wright	.....	211/40
D309,389 S *	7/1990	Hockenberry	.....	D6/511
D313,519 S	1/1991	Block		
D317,382 S	6/1991	Polvere		
D335,976 S	6/1993	Brown		
D385,922 S *	11/1997	Tisbo	.....	D19/90

D396,580 S	8/1998	Harper		
5,833,334 A	11/1998	Harper		
D402,137 S *	12/1998	Blazevich	.....	D6/467
D403,177 S	12/1998	Harper		
D404,957 S *	2/1999	Cheris et al.	.....	D6/629
D427,835 S *	7/2000	Tisbo	.....	D6/629
D433,251 S	11/2000	Blazevich		
D461,990 S	8/2002	Hussaini et al.		
6,536,609 B2 *	3/2003	Lake	.....	211/59.3
D547,973 S *	8/2007	Brown et al.	.....	D6/476
D604,072 S	11/2009	Nielsen		
D632,907 S *	2/2011	Clark et al.	.....	D6/511
2002/0084234 A1 *	7/2002	Chang	.....	211/42

**FOREIGN PATENT DOCUMENTS**

CH	351129	2/1961
DE	829656	4/1949
DE	702647	9/1986

\* cited by examiner

*Primary Examiner* — Mary Ann Calabrese

(74) *Attorney, Agent, or Firm* — Banner & Witcoff, Ltd.

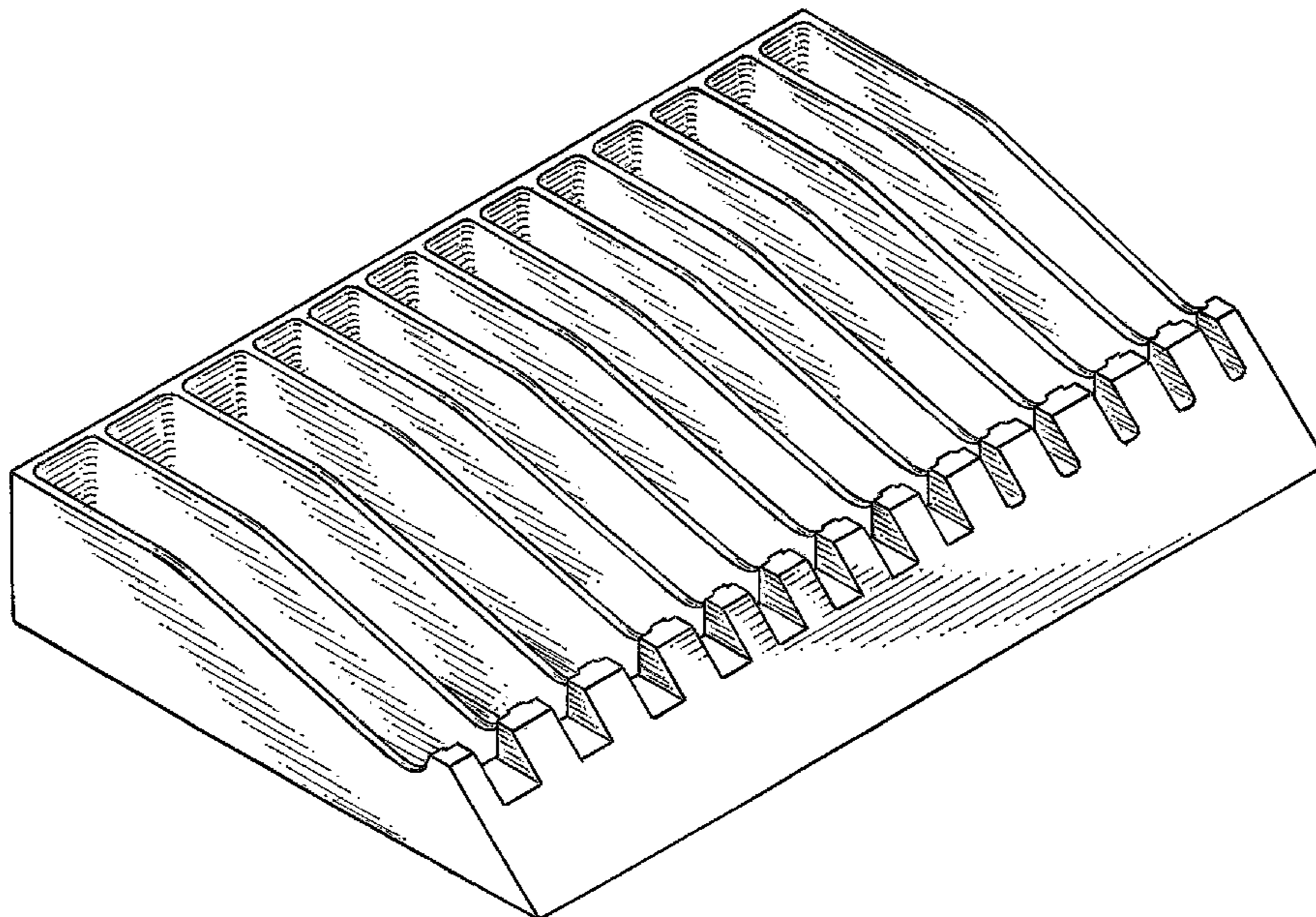
(57) **CLAIM**

The ornamental design for a pliers rack, as shown and described.

**DESCRIPTION**

FIG. 1 is a top, front, left perspective view of a pliers rack showing my new design;  
FIG. 2 is a top view thereof;  
FIG. 3 is a front view thereof;  
FIG. 4 is a left side view thereof, wherein the right side is a mirror image of FIG. 4;  
FIG. 5 is a rear view thereof; and,  
FIG. 6 is a bottom view thereof. The broken lines are features that form no part of the claim design.

**1 Claim, 3 Drawing Sheets**



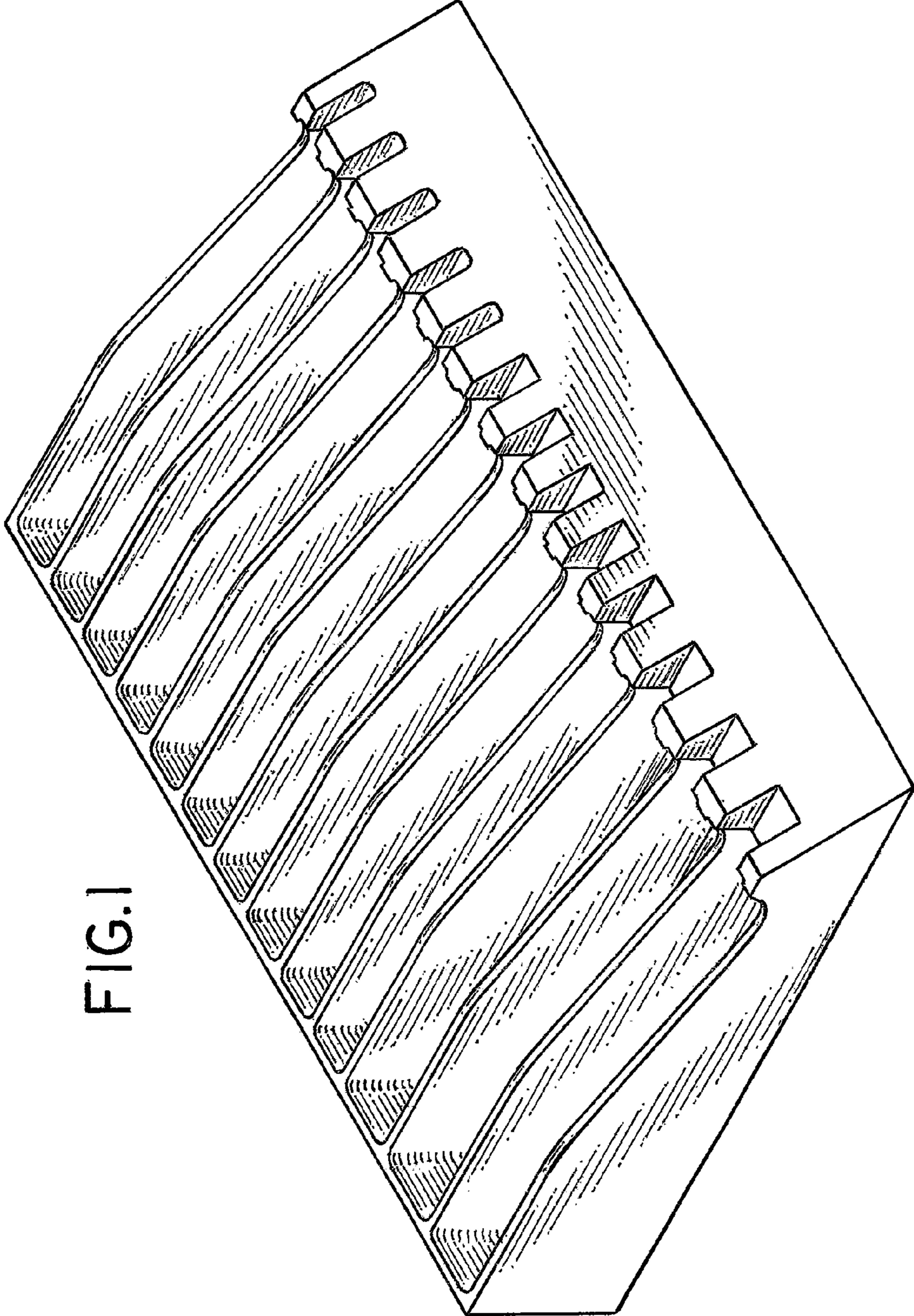


FIG.1



FIG. 2

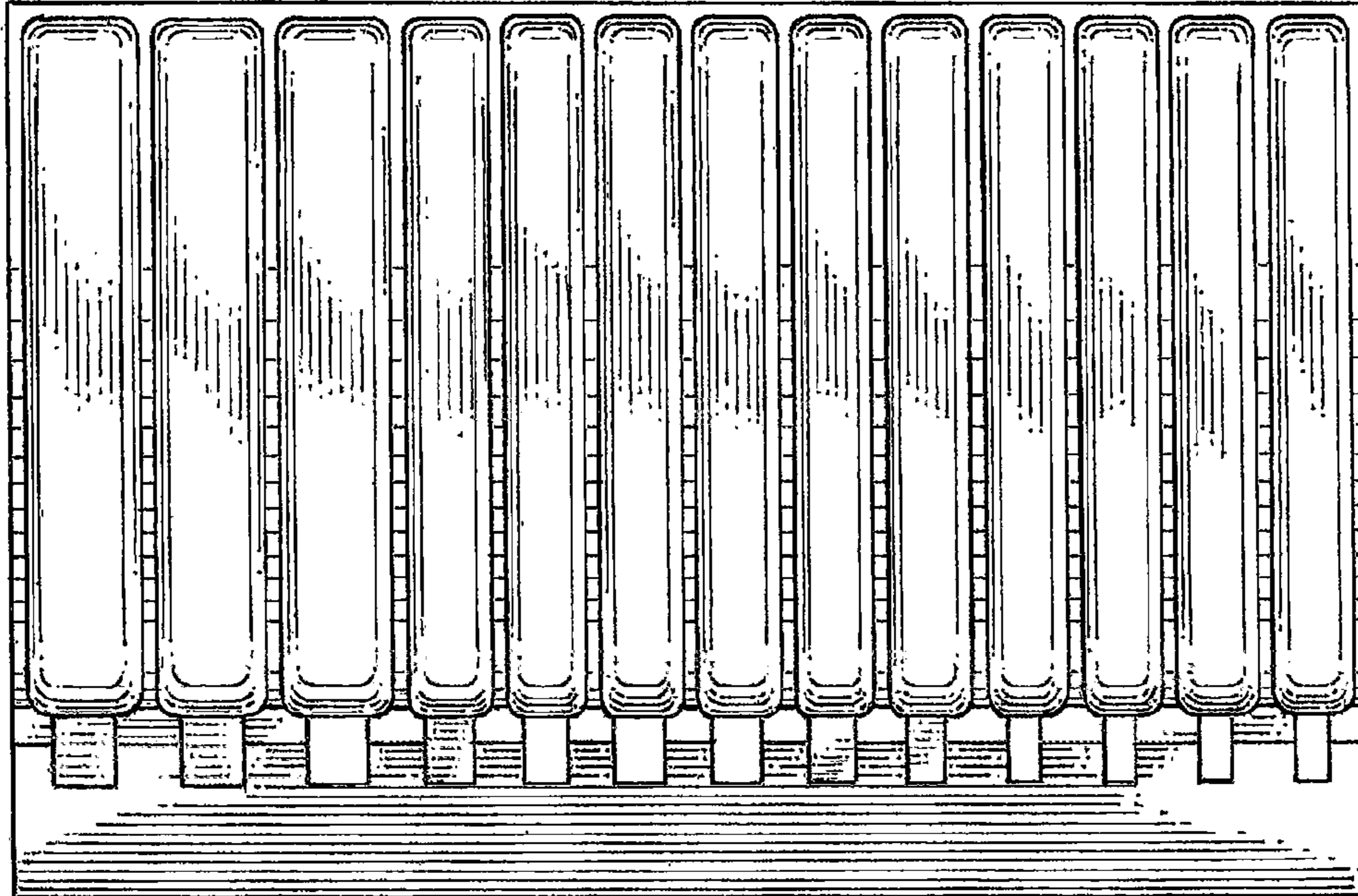


FIG. 3

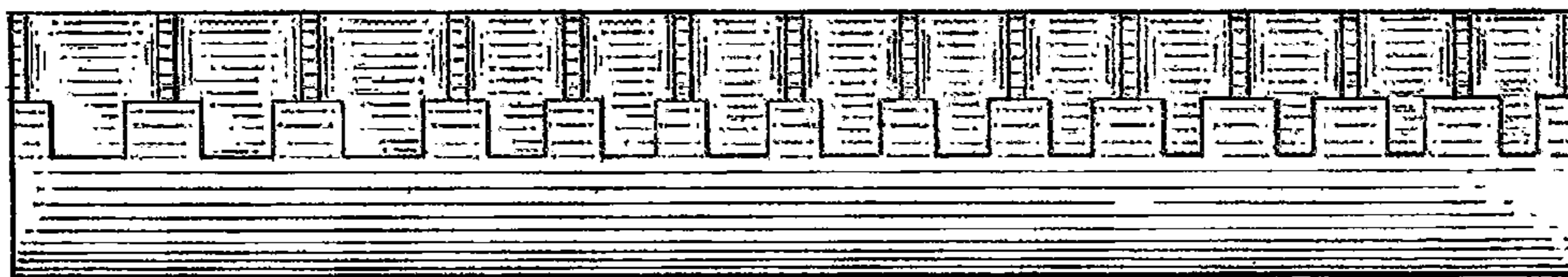


FIG. 4



FIG. 5

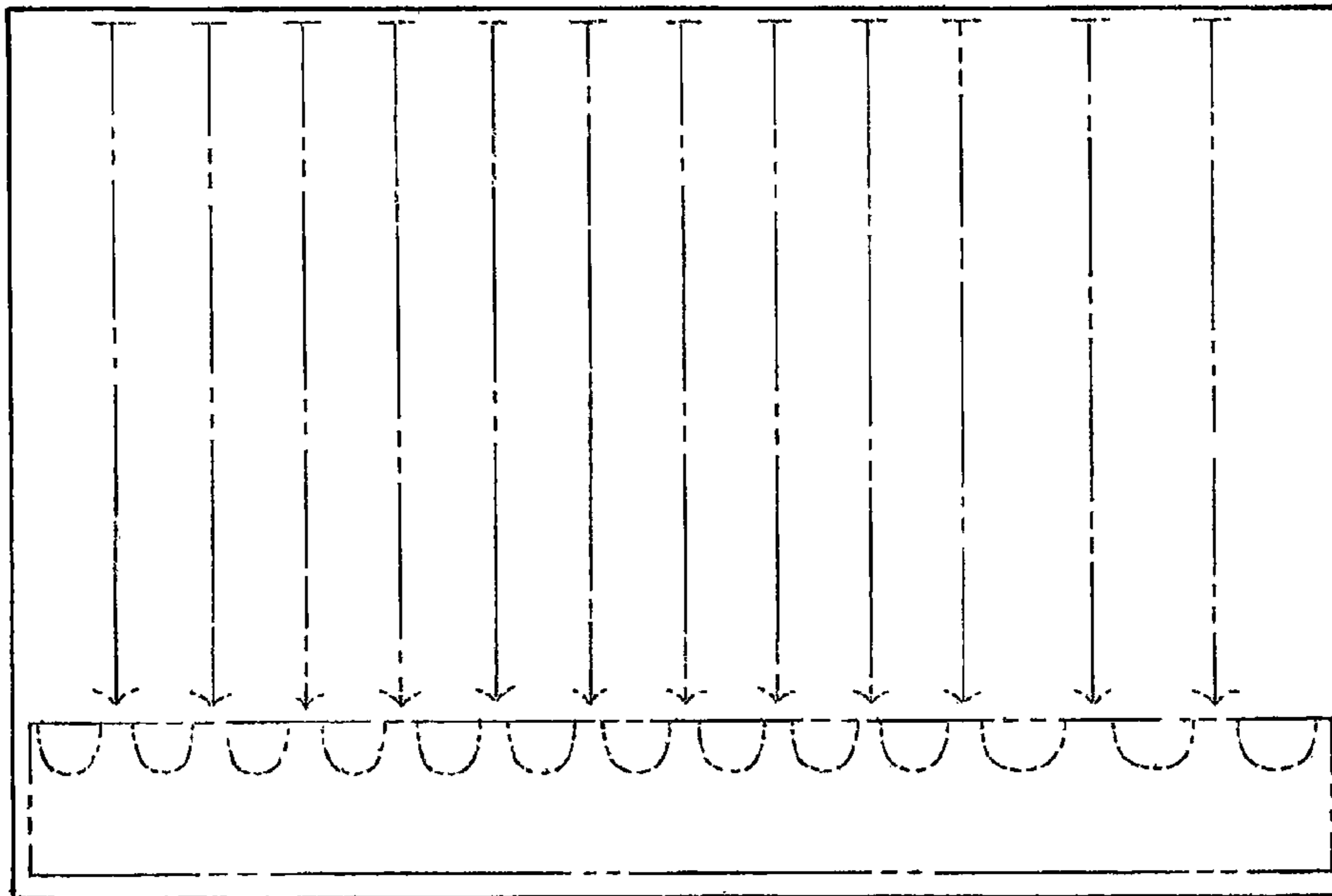
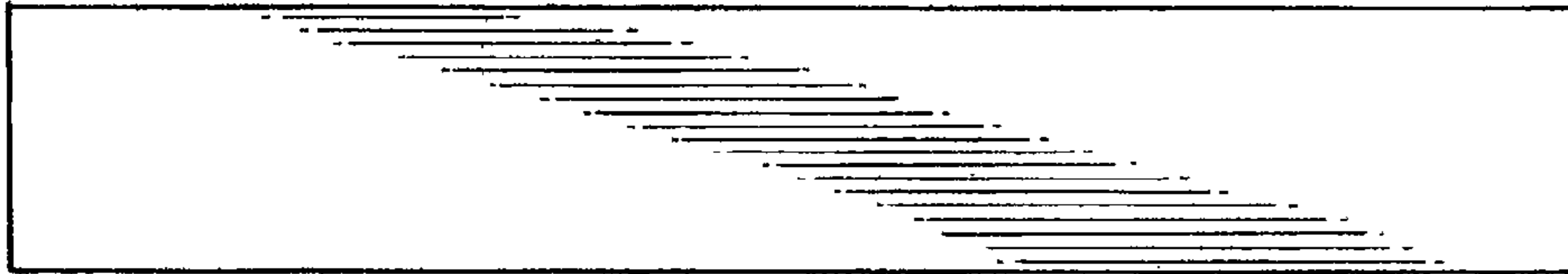


FIG. 6