



US00D673388S

(12) **United States Design Patent**
Pazhoor

(10) **Patent No.:** **US D673,388 S**
(45) **Date of Patent:** **** Jan. 1, 2013**

(54) **PORTABLE MULTI-STATION VOTING
BOOTH CART**

Primary Examiner — Janice Seeger

(75) Inventor: **Mohamed S Pazhoor**, West Palm Beach,
FL (US)

(73) Assignee: **Naztec International Group LLC**, West
Palm Beach, FL (US)

(**) Term: **14 Years**

(21) Appl. No.: **29/411,716**

(22) Filed: **Jan. 25, 2012**

(51) **LOC (9) Cl.** **06-03**

(52) **U.S. Cl.** **D6/397; D6/421; D6/445**

(58) **Field of Classification Search** D6/419–428,
D6/429–431, 445, 446, 397; 312/194–196,
312/198, 6, 262, 122, 294, 237, 257.1; 108/50.01,
108/50.02, 60; 235/51, 50 R; 52/36.1, 36.4;
160/135

See application file for complete search history.

(56) **References Cited**

U.S. PATENT DOCUMENTS

D216,991	S *	3/1970	Glanfagua	D6/421
3,550,540	A *	12/1970	Harris et al.	108/23
D300,487	S *	4/1989	Dyer	D6/446
D379,566	S *	6/1997	Ewens et al.	D6/445
D603,621	S *	11/2009	Abel et al.	D6/421
D616,667	S *	6/2010	Pazhoor	D6/421
8,006,986	B1 *	8/2011	Pazhoor	280/47.34
2009/0166992	A1 *	7/2009	Abel et al.	280/47.35

* cited by examiner

(57) **CLAIM**

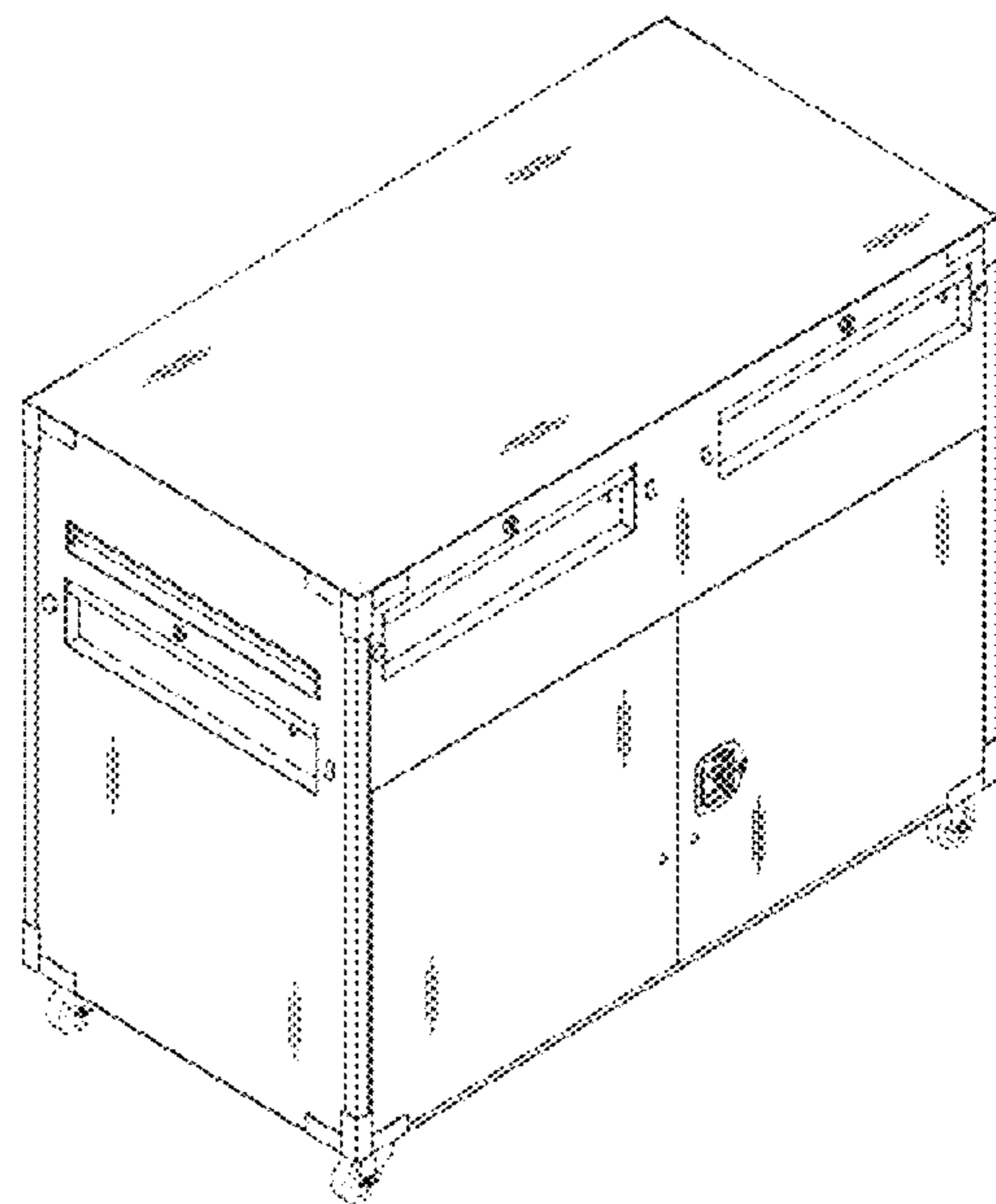
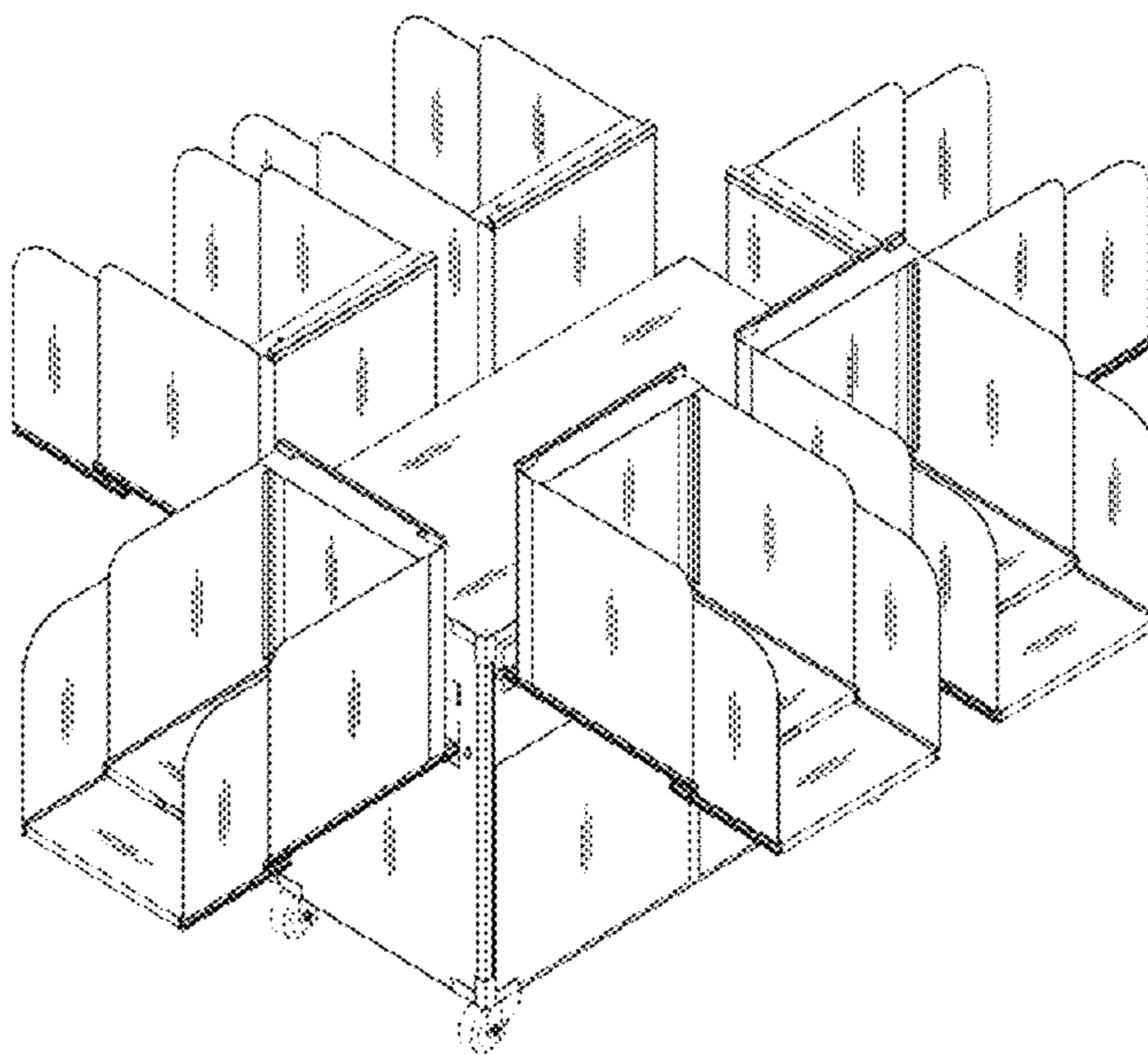
The ornamental design for a portable multi-station voting booth cart, as shown and described.

DESCRIPTION

FIG. 1 is a front perspective view of the portable multi-station voting booth cart of the instant invention with primary and secondary trays in deployed configuration;
 FIG. 2 is a front view thereof;
 FIG. 3 is a rear view thereof;
 FIG. 4 is a right side view thereof;
 FIG. 5 is a left side view thereof;
 FIG. 6 is a top view thereof;
 FIG. 7 is a bottom view thereof;
 FIG. 8 is a front perspective view of the portable multi-station voting booth cart of the instant invention with primary and secondary trays in closed configuration;
 FIG. 9 is a front view thereof;
 FIG. 10 is a rear view thereof;
 FIG. 11 is a right side view thereof;
 FIG. 12 is a left side view thereof;
 FIG. 13 is a top view thereof; and
 FIG. 14 is a bottom view thereof.

The portions of the figures illustrated in broken lines are for illustrative purposes only and no part of the claimed subject matter.

1 Claim, 14 Drawing Sheets



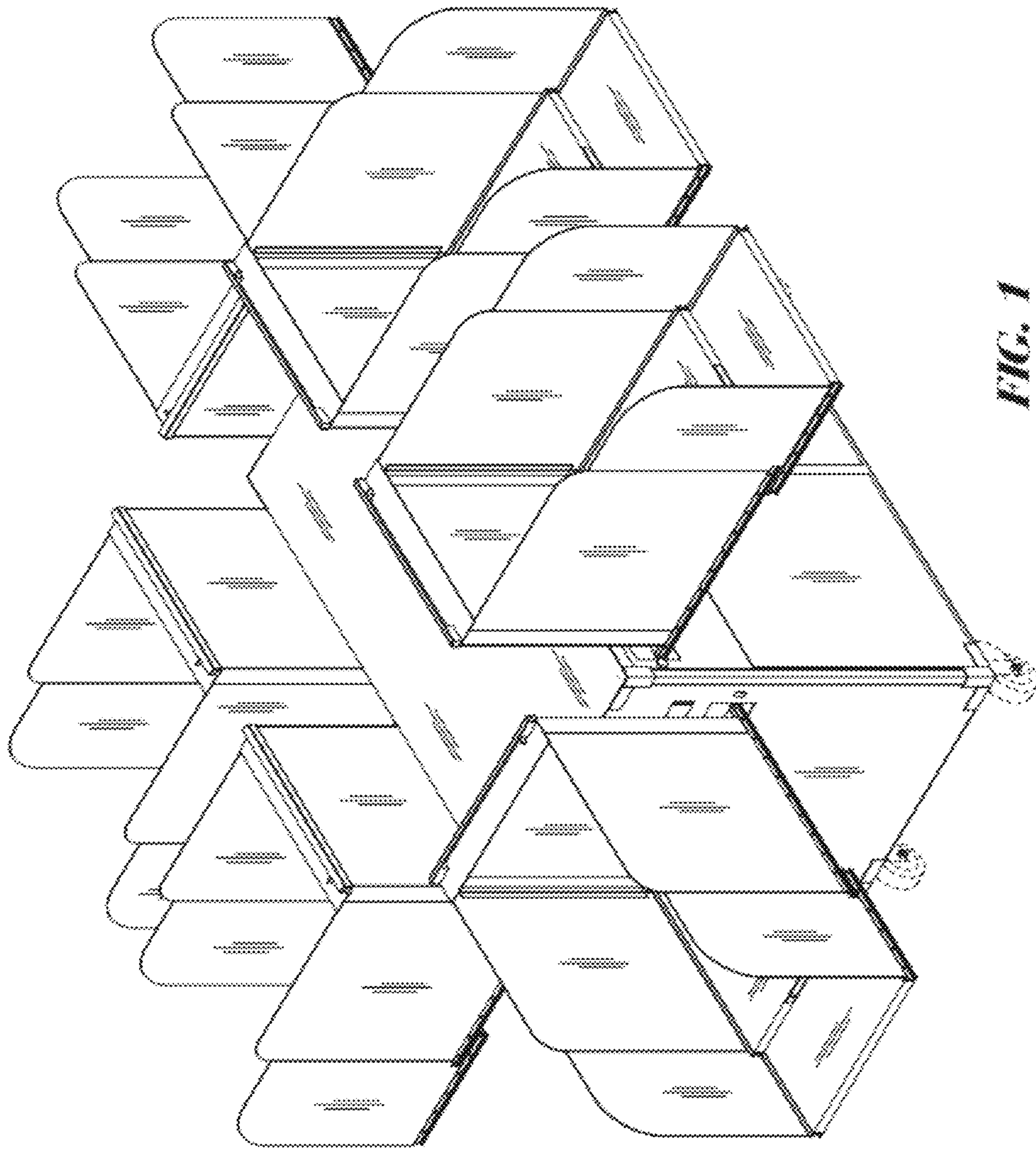


FIG. 1

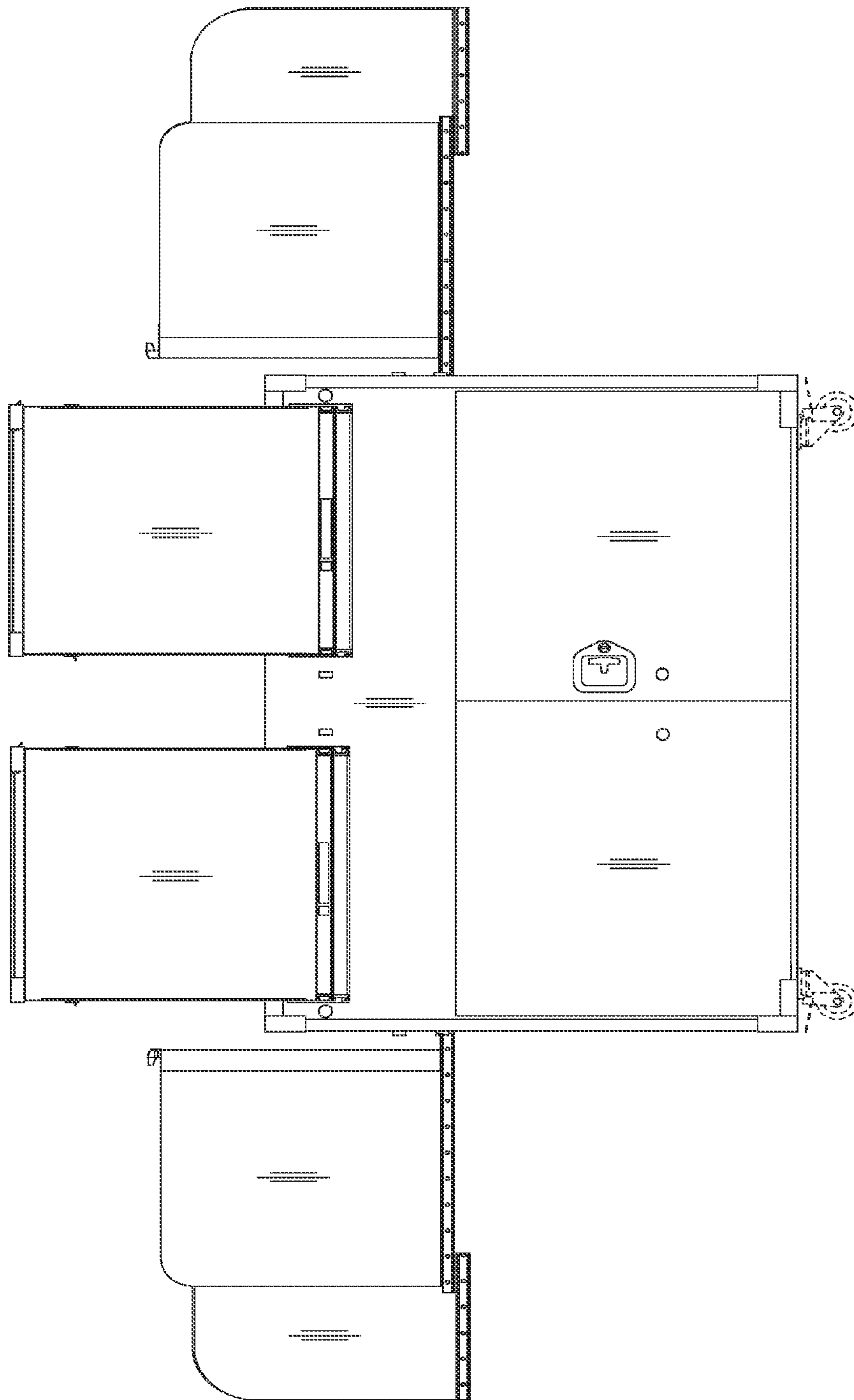


FIG. 2

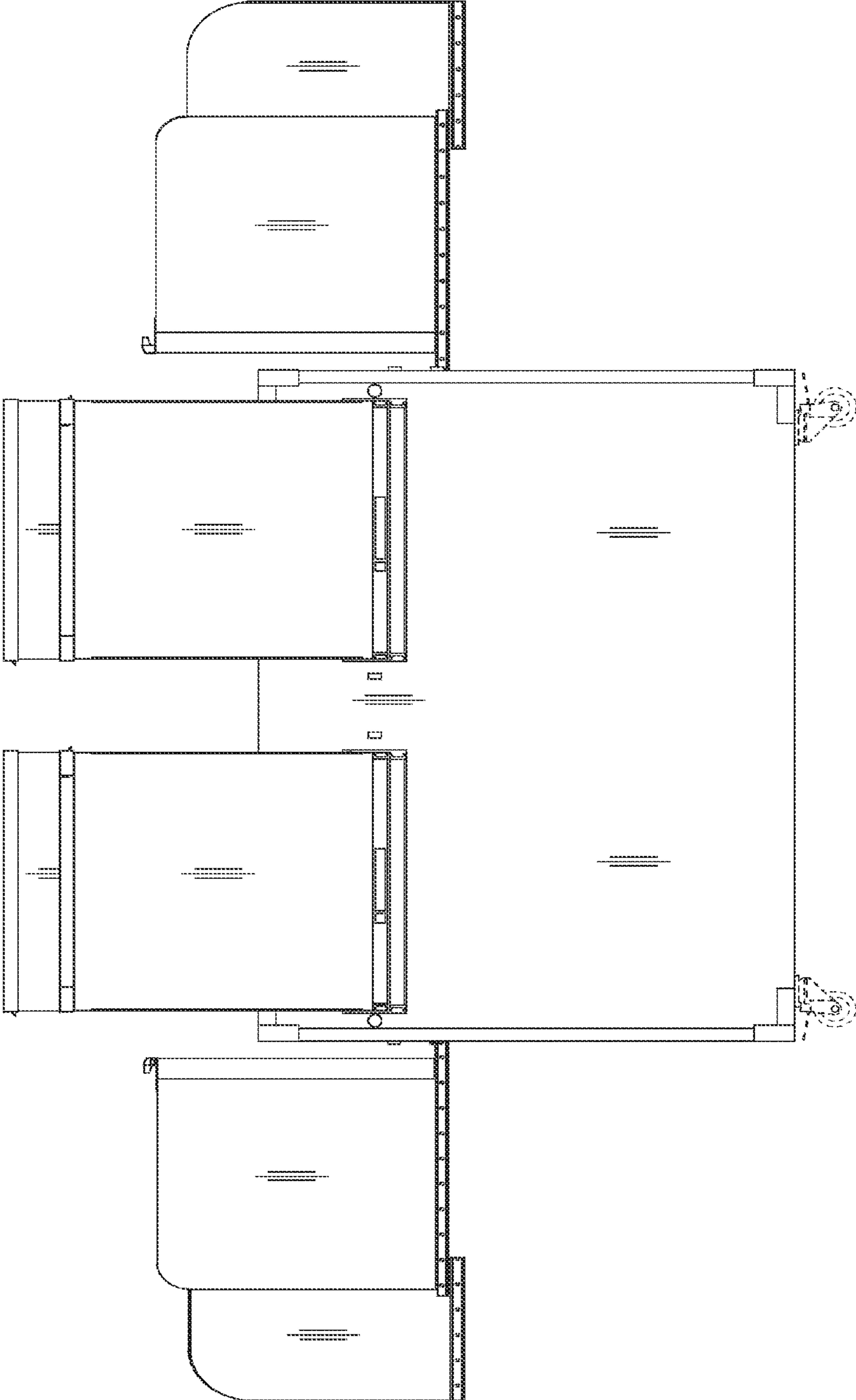


FIG. 3

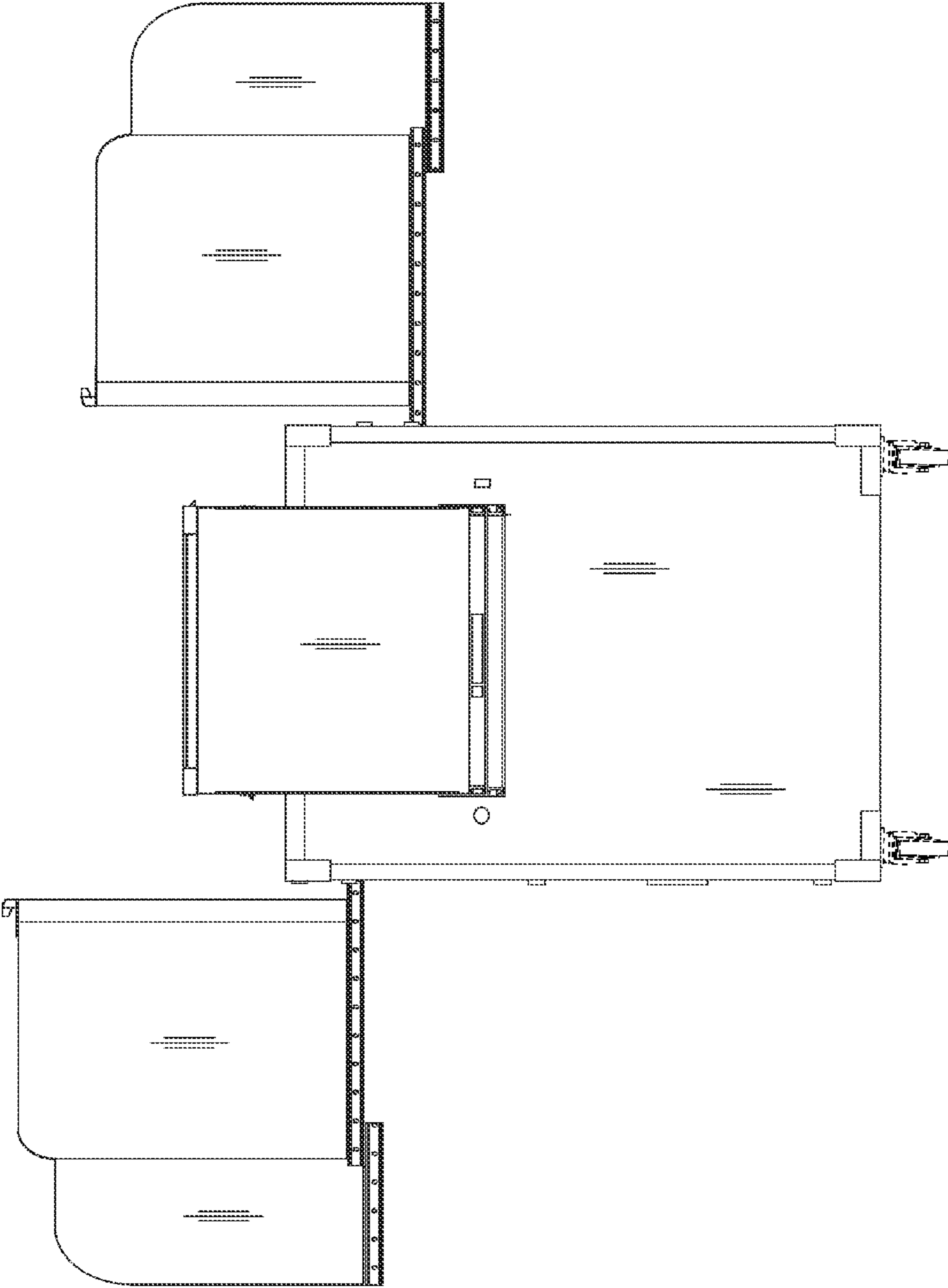


FIG. 4

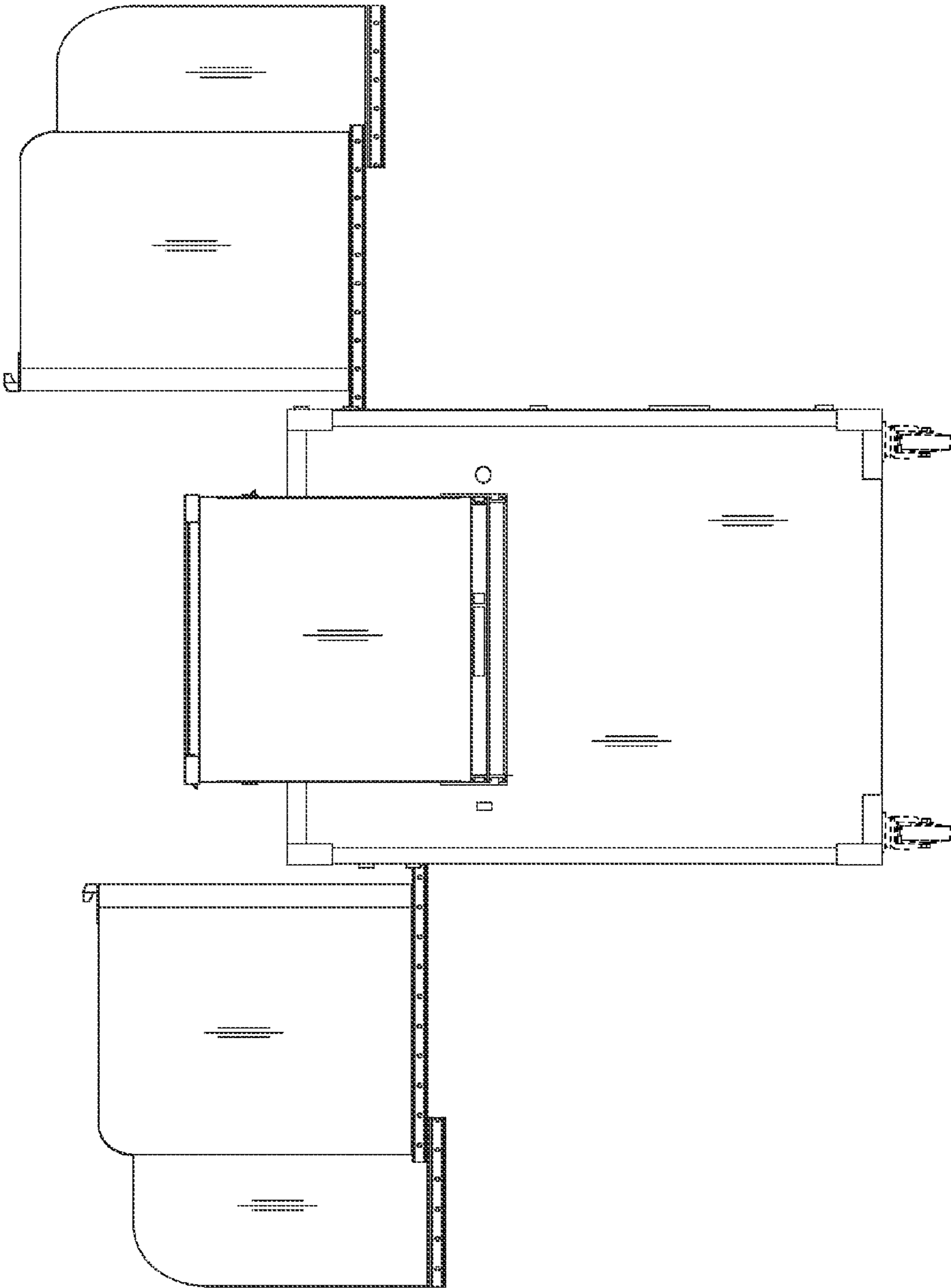


FIG. 5

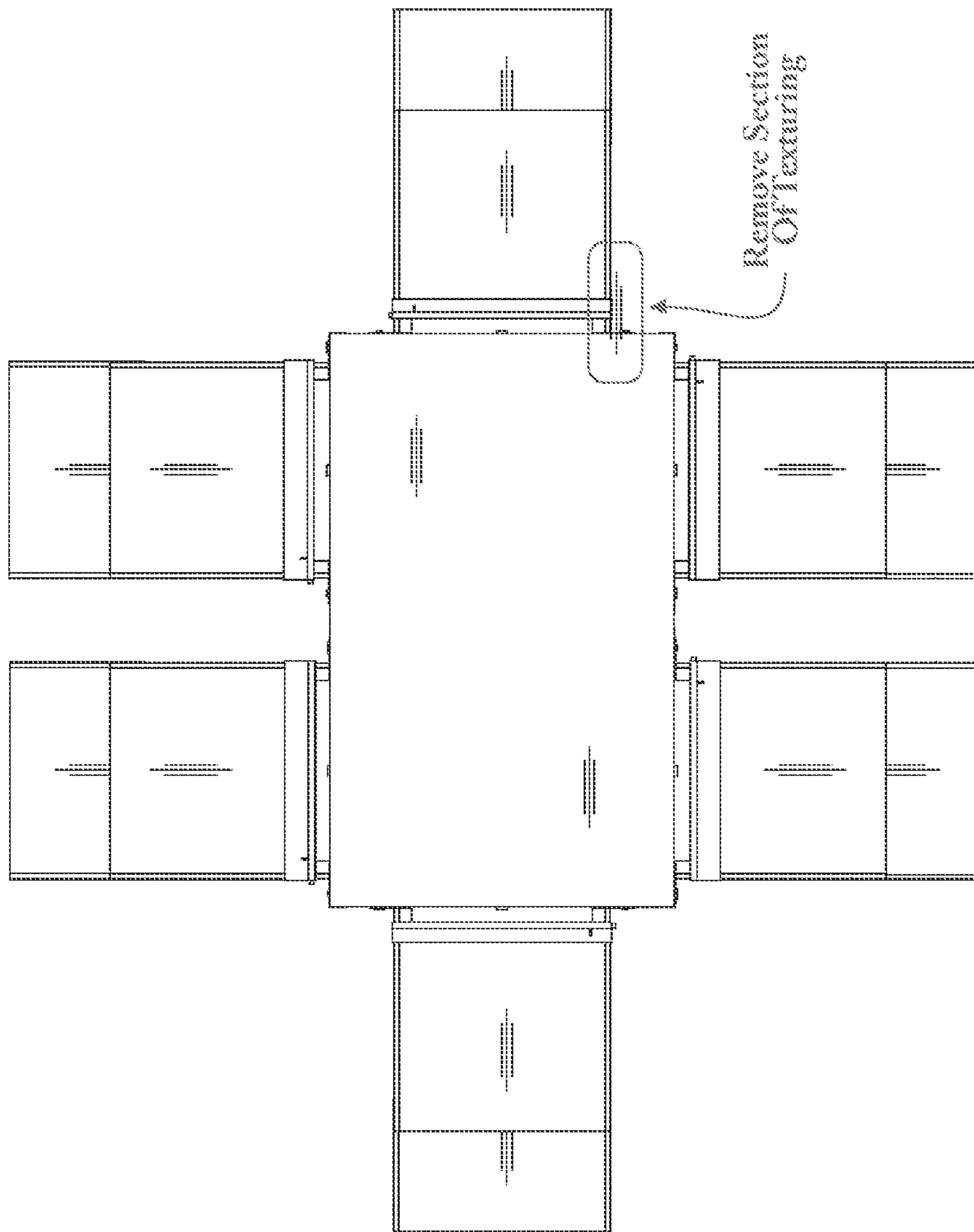


FIG. 6

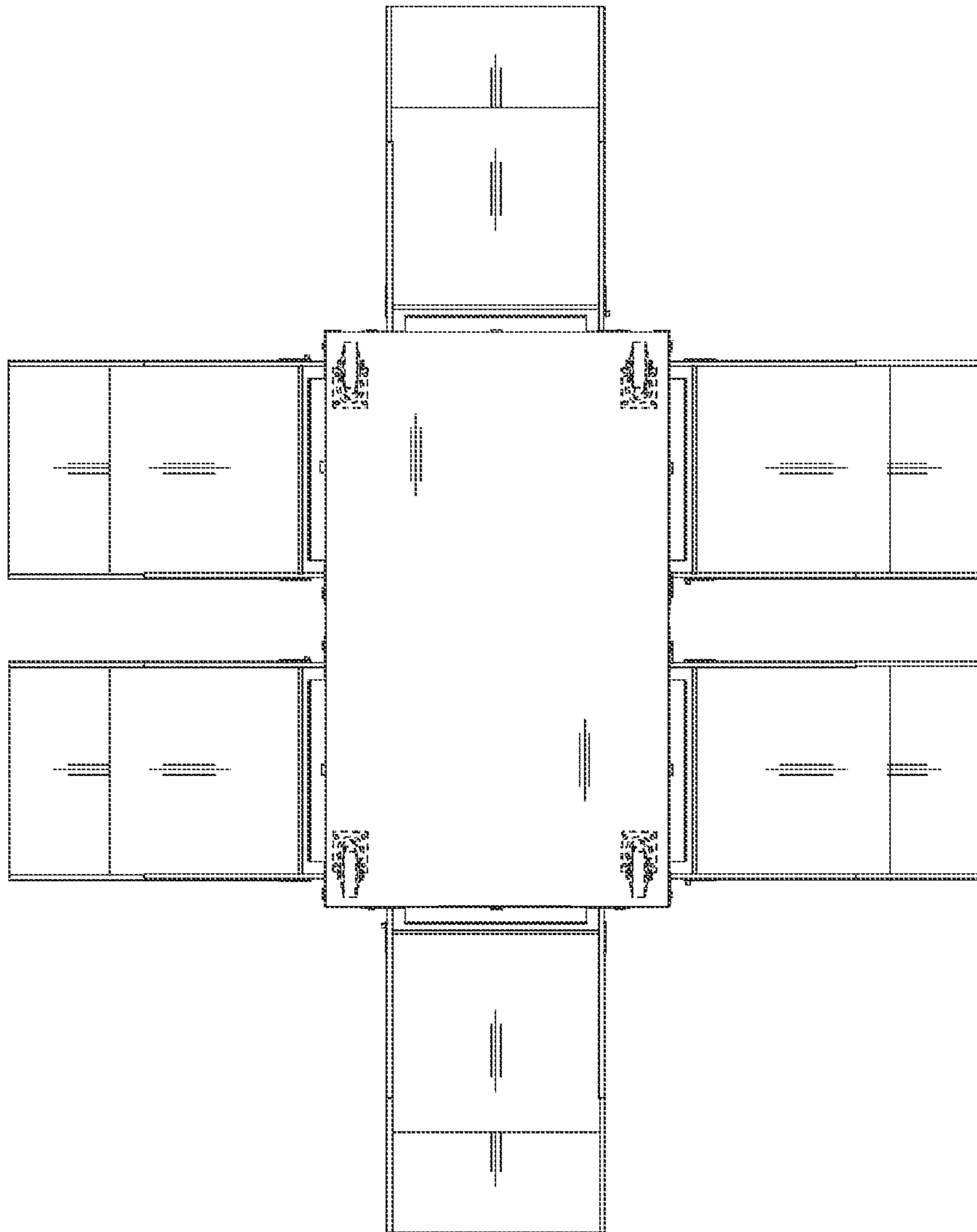


FIG. 7

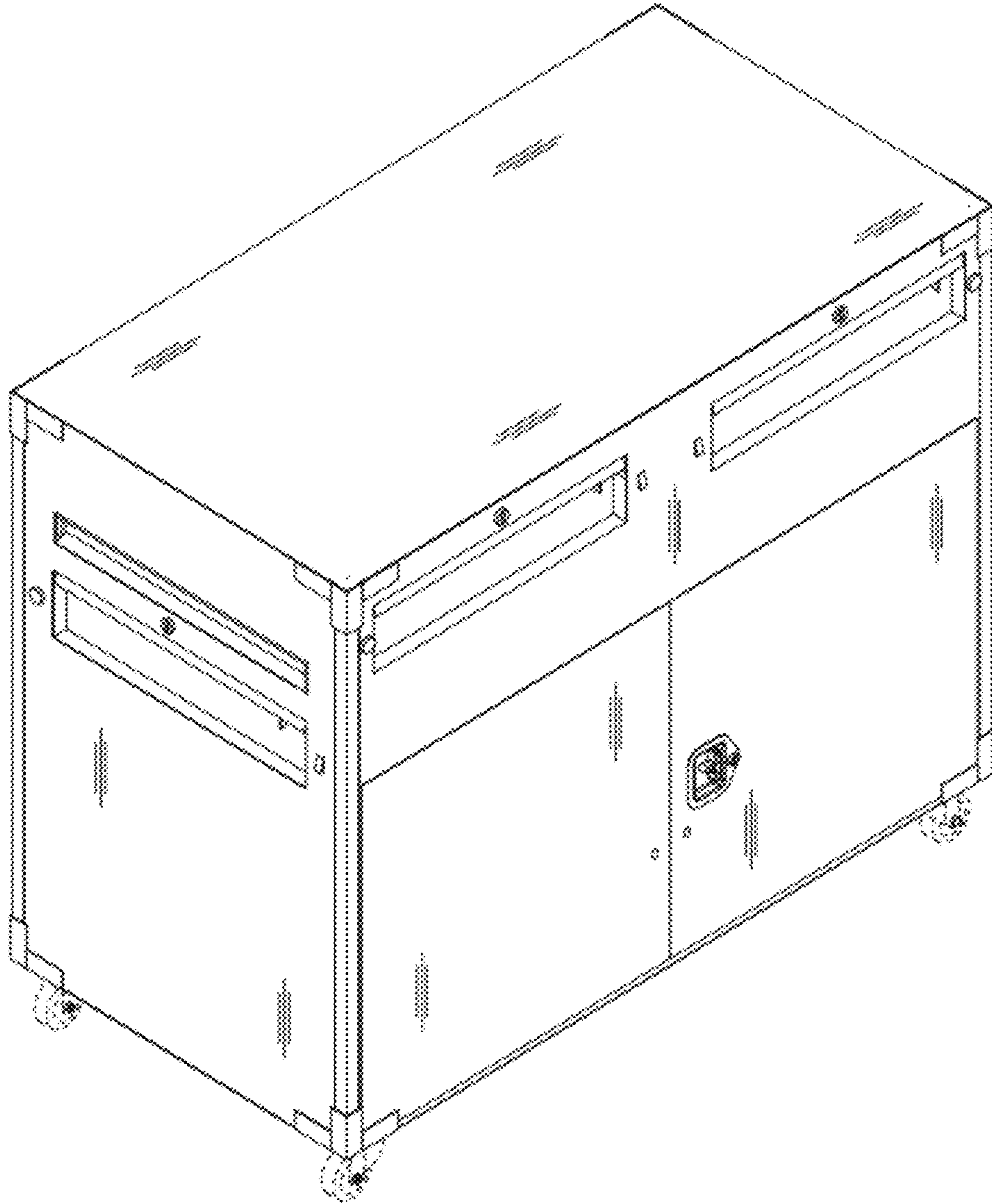


FIG. 8

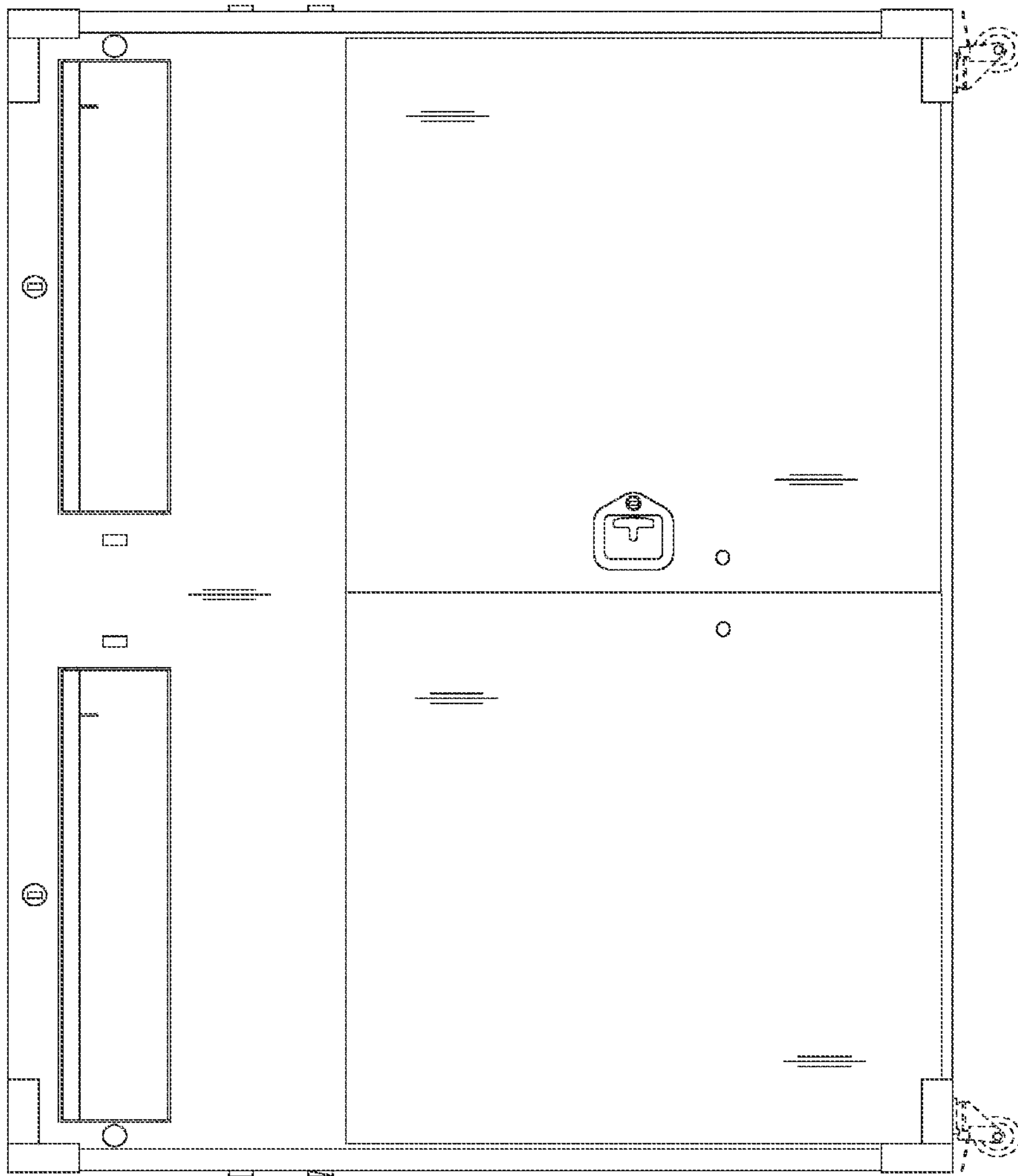


FIG. 9

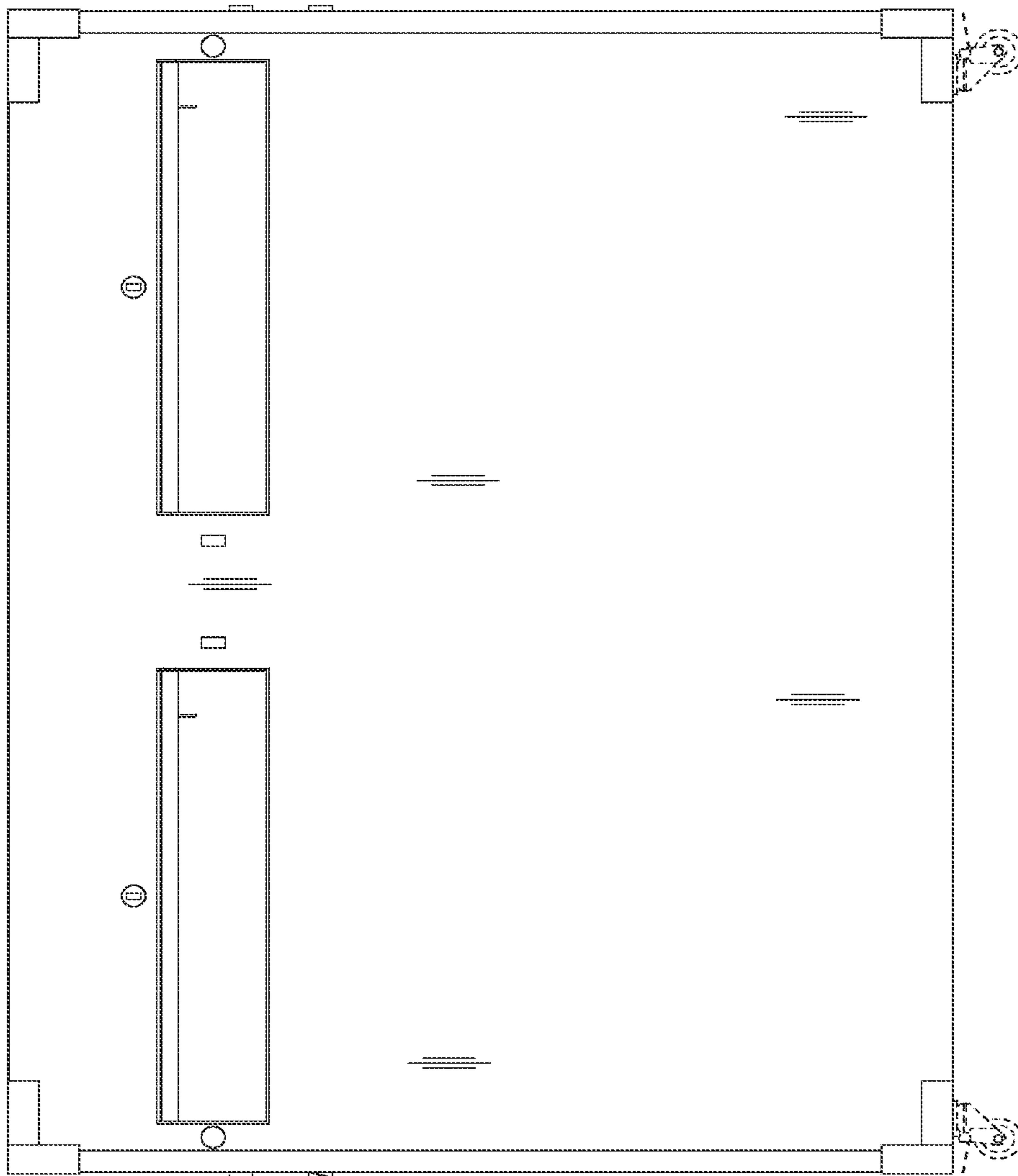


FIG. 10

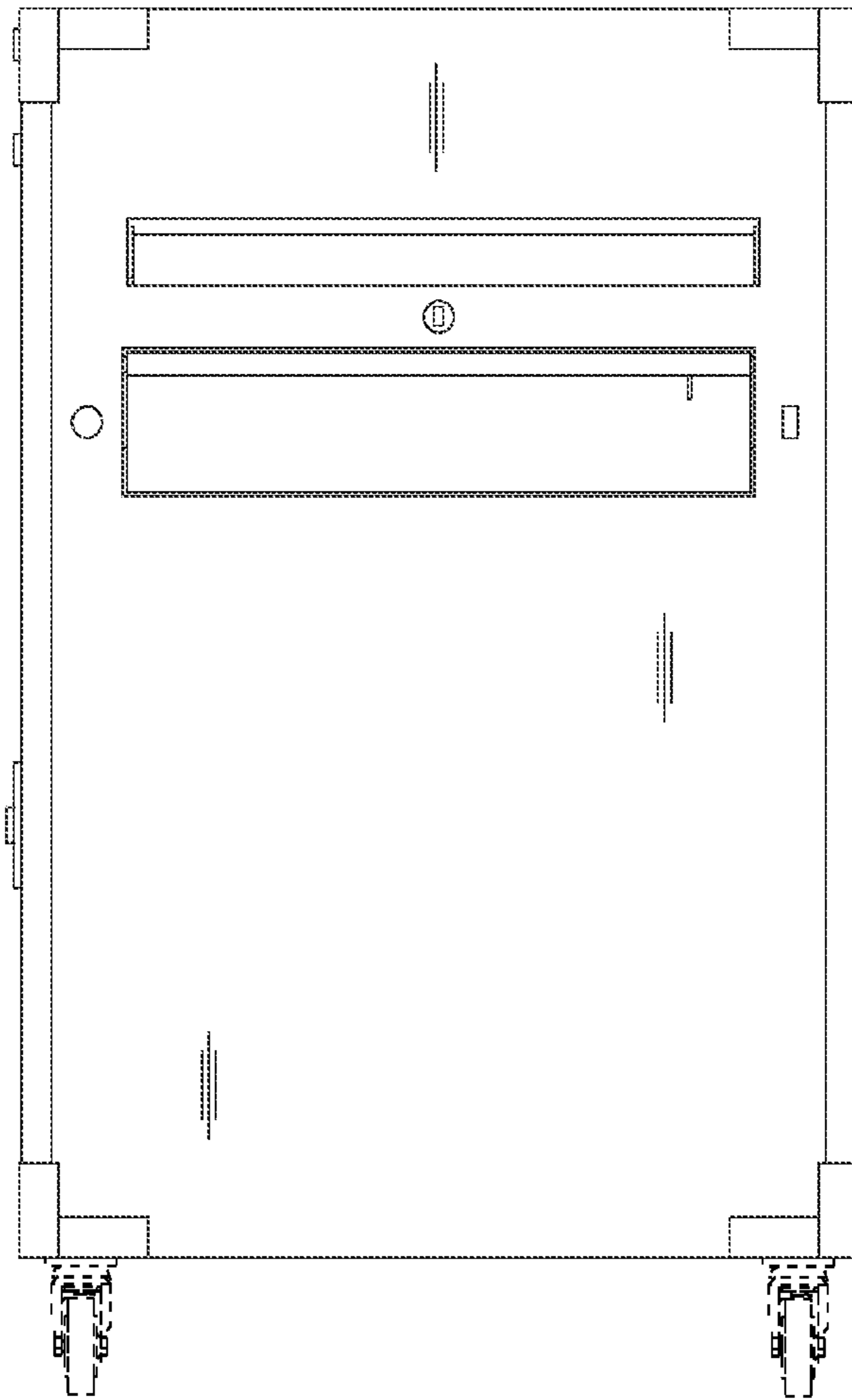


FIG. 11

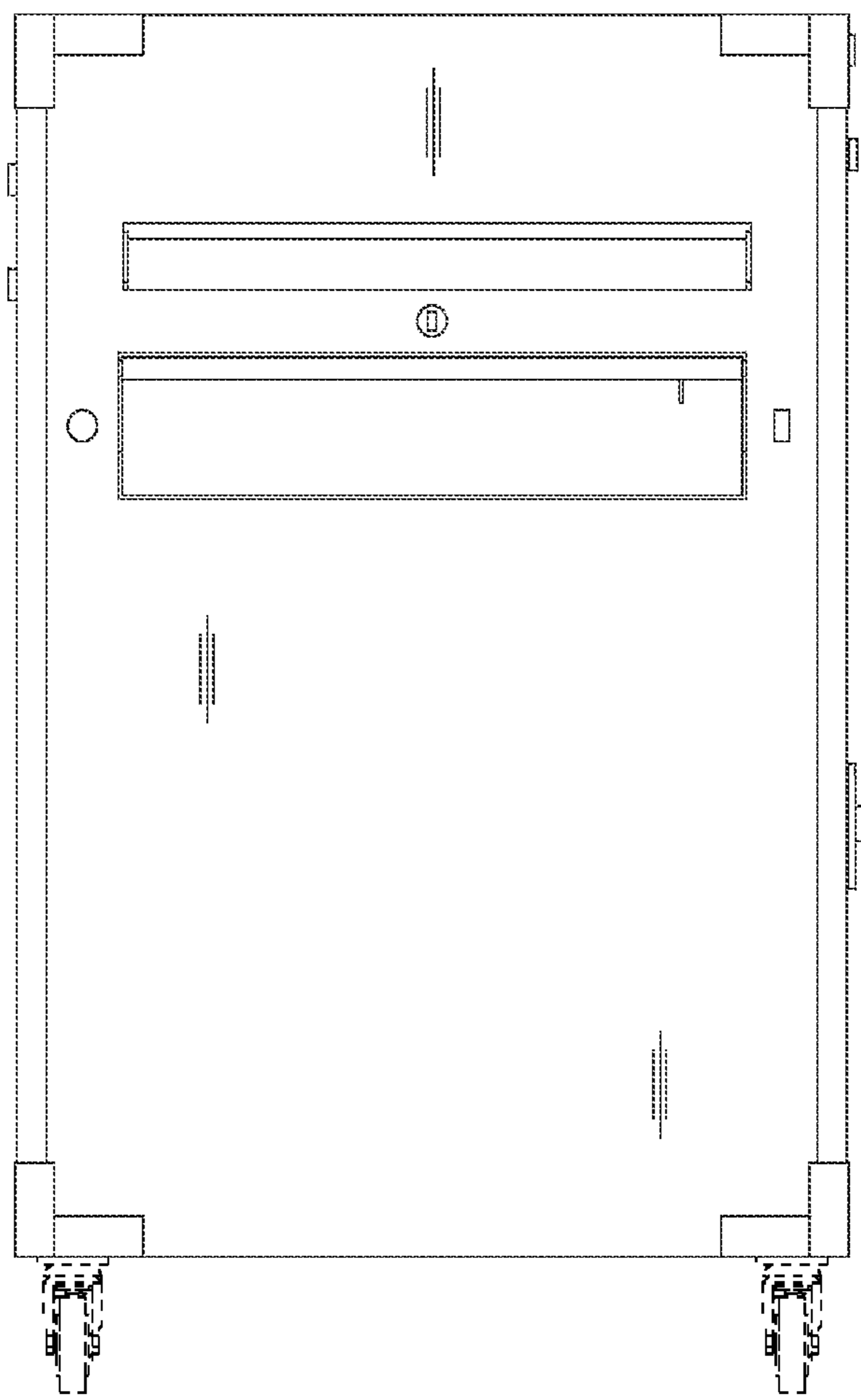


FIG. 12

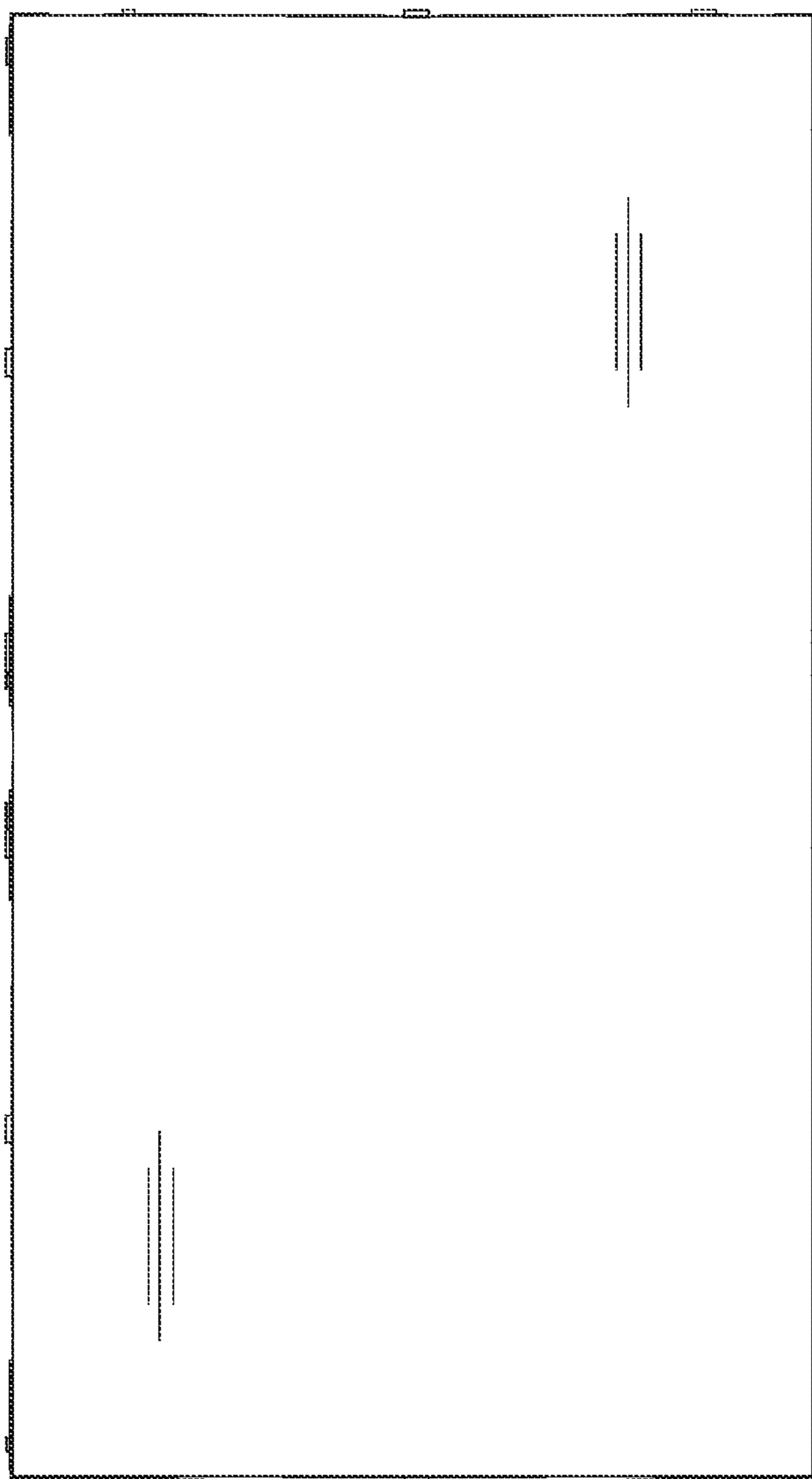


FIG. 13

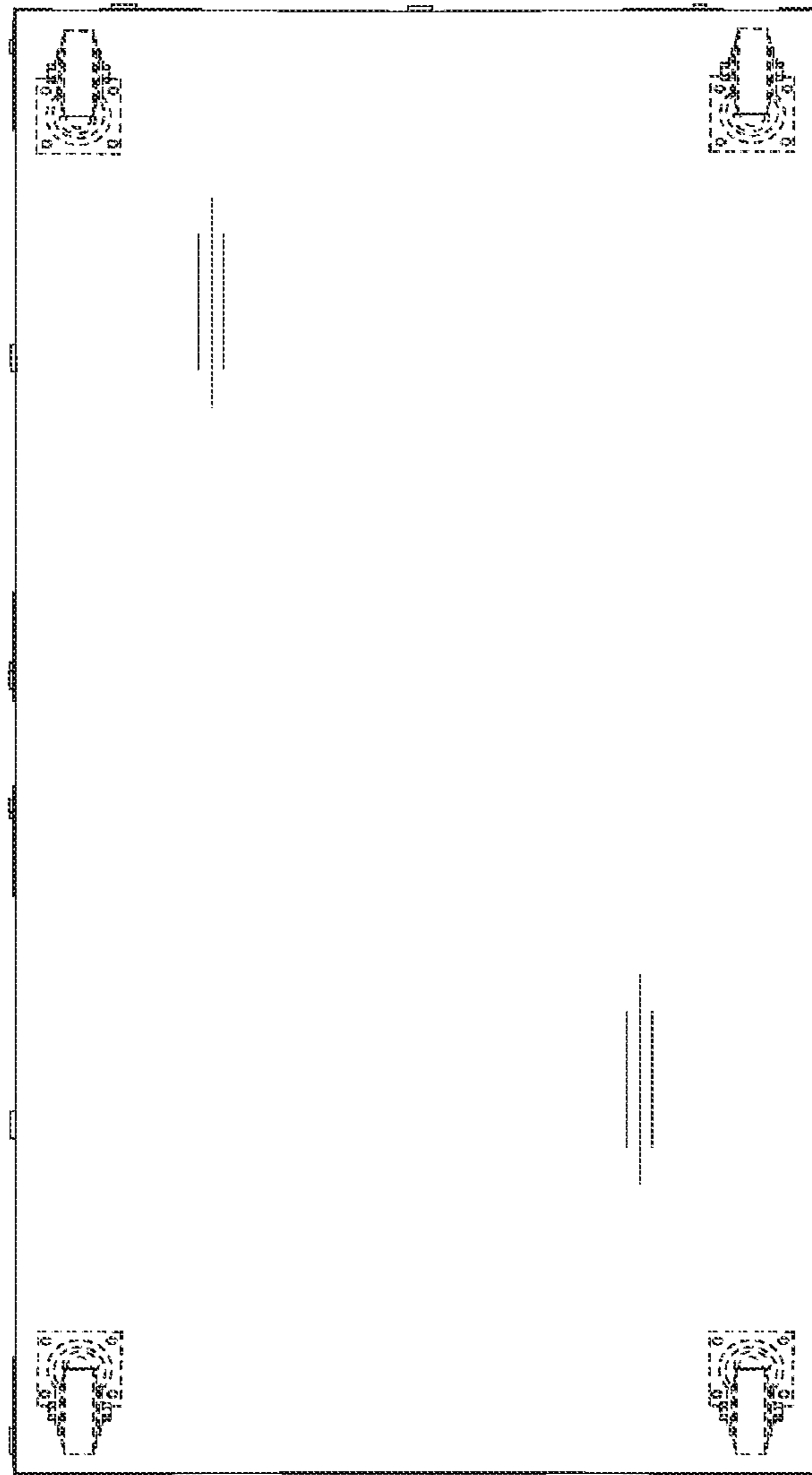


FIG. 14