

US00D673386S

(12) **United States Design Patent**
Lenney

(10) **Patent No.:** **US D673,386 S**
(45) **Date of Patent:** **** Jan. 1, 2013**

- (54) **BED**
- (75) Inventor: **Joseph P. Lenney**, San Francisco, CA (US)
- (73) Assignee: **Restoration Hardware, Inc.**, Corte Madera, CA (US)
- (**) Term: **14 Years**
- (21) Appl. No.: **29/399,187**
- (22) Filed: **Aug. 10, 2011**
- (51) **LOC (9) Cl.** **06-02**
- (52) **U.S. Cl.** **D6/393**
- (58) **Field of Classification Search** D6/382, D6/383, 389, 393-395, 505-508, 503; 5/53.1, 5/279.1, 280, 281, 907; D21/520
See application file for complete search history.

D564,777 S 3/2008 Mohundro
 D593,340 S * 6/2009 Austen et al. D6/393
 D638,642 S * 5/2011 Schmitt D6/505

OTHER PUBLICATIONS

Restoration Hardware Home Catalog; Late Summer 2008; Cover Page, pp. 39, 73 & 79.
 Restoration Hardware Home Catalog, Early Spring 2009; Cover page, pp. 32 and 33.
 Restoration Hardware The Fall Lighting Event 2010; Cover page, pp. 21, 29, 63, 103 and 129.
 Restoration Hardware Celebrate Catalog, Holiday 2010; Cover page & pp. 85, 127, 149, 175 and 176.
 Restoration Hardware Catalog, "There Are Pieces That Furnish A Home. And Those That Define It." Cover page, pp. 11, 23, 45, and 185.
 Restoration Hardware Catalog, "Welcome To Your New Home", Spring 2011 Source Book; Cover page, pp. 91,159, 169, 177, 181,189, 260, 261.
 Restoration Hardware The Spring 2011 Source Book; Cover page, pp. 91,159, 169, 177, 181, 201, 260 and 261.

* cited by examiner

(56) **References Cited**

U.S. PATENT DOCUMENTS

D184,856 S *	4/1959	Drasher	D6/505
D319,932 S	9/1991	Lauren		
D395,965 S	7/1998	Hutton		
D412,795 S *	8/1999	Bargagli-Stoffi	D6/393
D442,386 S *	5/2001	Leon et al.	D6/393
D443,998 S *	6/2001	Leon et al.	D6/393
D450,472 S *	11/2001	Dordoni	D6/393
D455,909 S *	4/2002	Wistehuff, Sr.	D6/393
D460,634 S	7/2002	Kreiss		
D463,156 S	9/2002	Lenger		
D466,328 S	12/2002	Risdon		
D480,889 S	10/2003	Risdon et al.		
D493,975 S	8/2004	Juneau et al.		
D503,860 S	4/2005	Peterson et al.		
D505,029 S *	5/2005	Risdon et al.	D6/393
D505,563 S *	5/2005	Hutton	D6/393
D517,342 S *	3/2006	O'Hare	D6/393
D525,046 S	7/2006	Mohindro		

Primary Examiner — Janice Seeger

(74) *Attorney, Agent, or Firm* — Guy W. Chambers; Duane Morris LLP

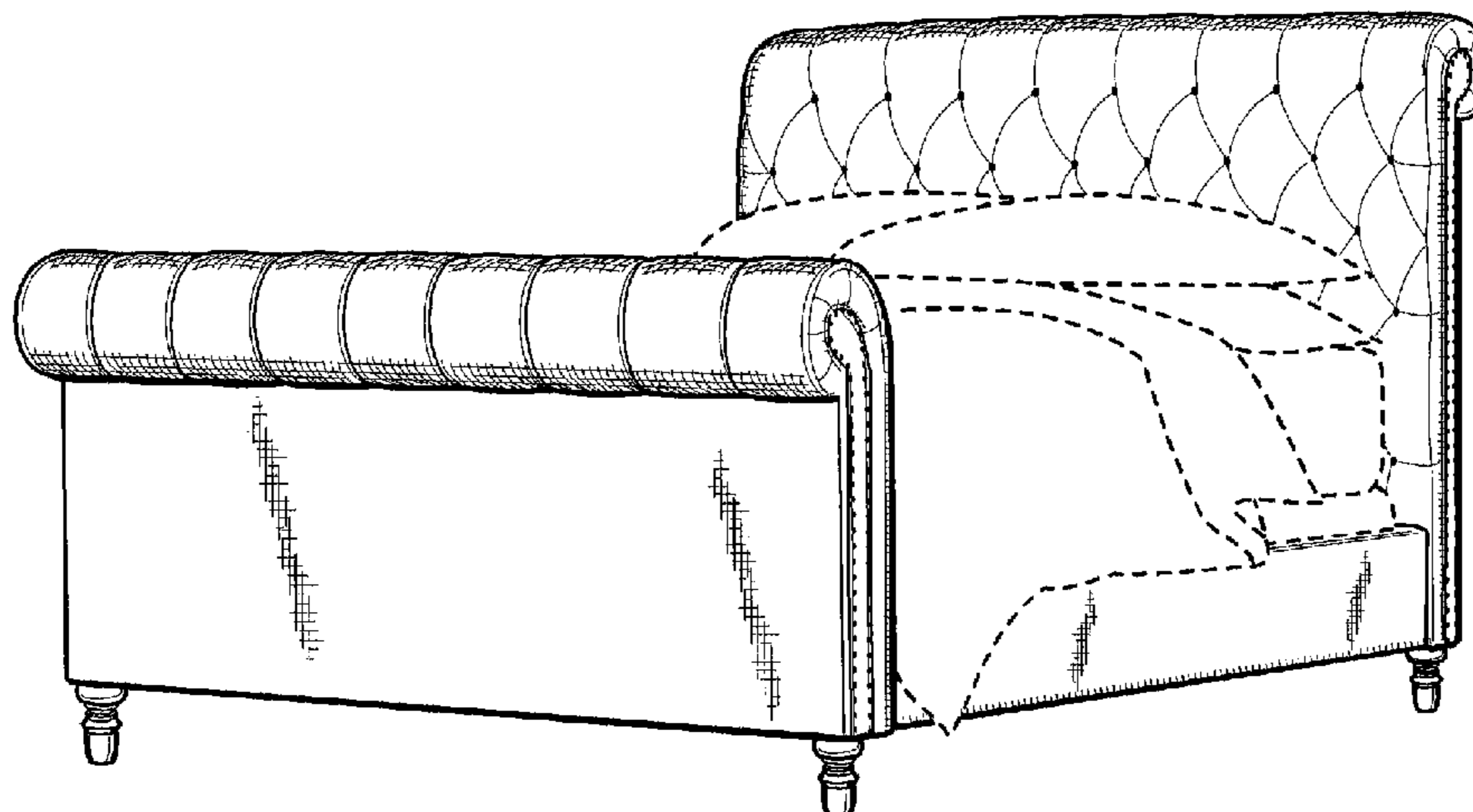
(57) **CLAIM**

The ornamental design for a bed, as shown and described.

DESCRIPTION

FIG. 1 is a perspective view of an embodiment of a bed showing my new design;
 FIG. 2 is a top view thereof;
 FIG. 3 is a front elevation view thereof; and,
 FIG. 4 is a left side elevational view (right side elevational view is a mirror image thereof).
 The broken lines are for environmental purposes only and form no part of the claimed design.

1 Claim, 3 Drawing Sheets



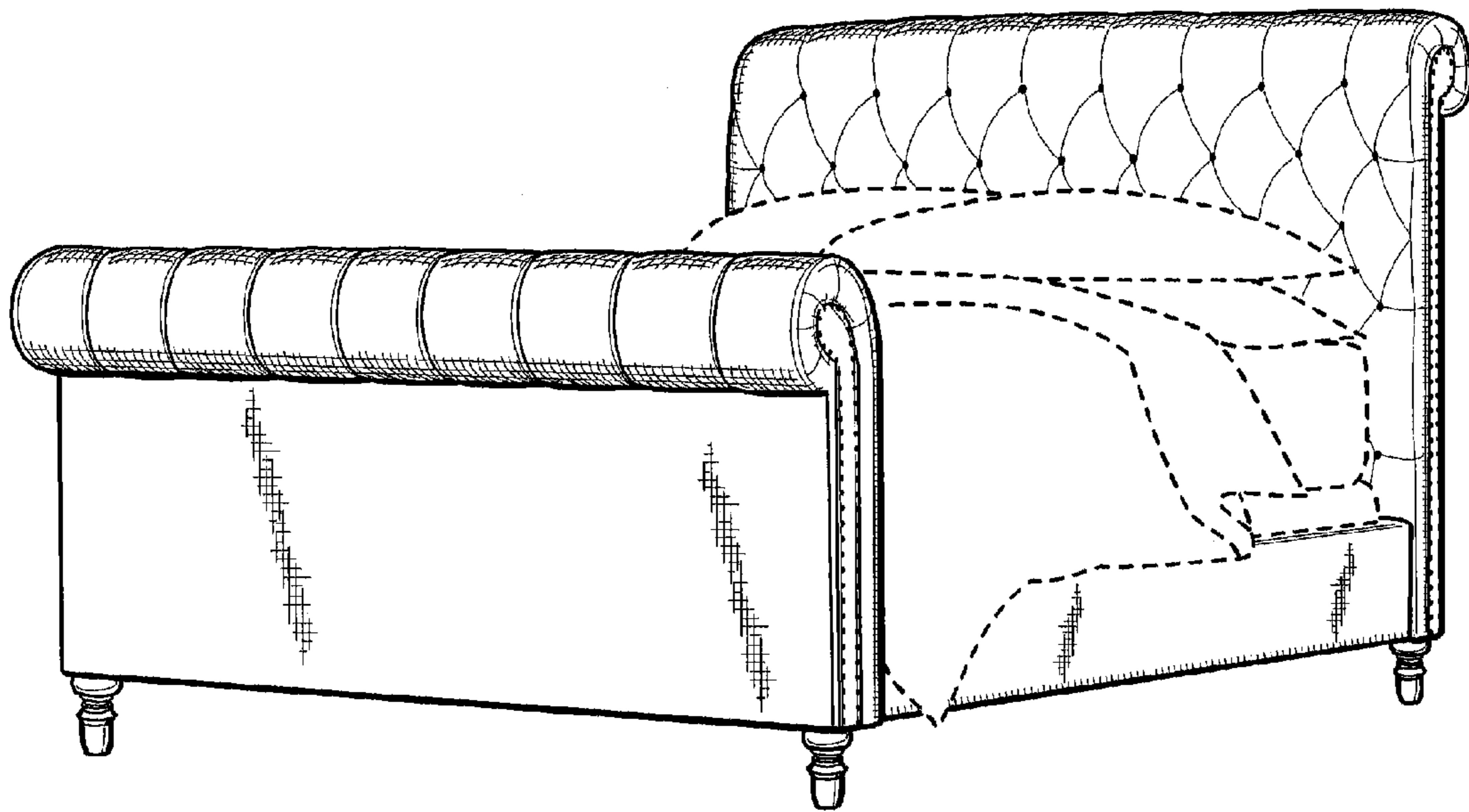


FIG. 1

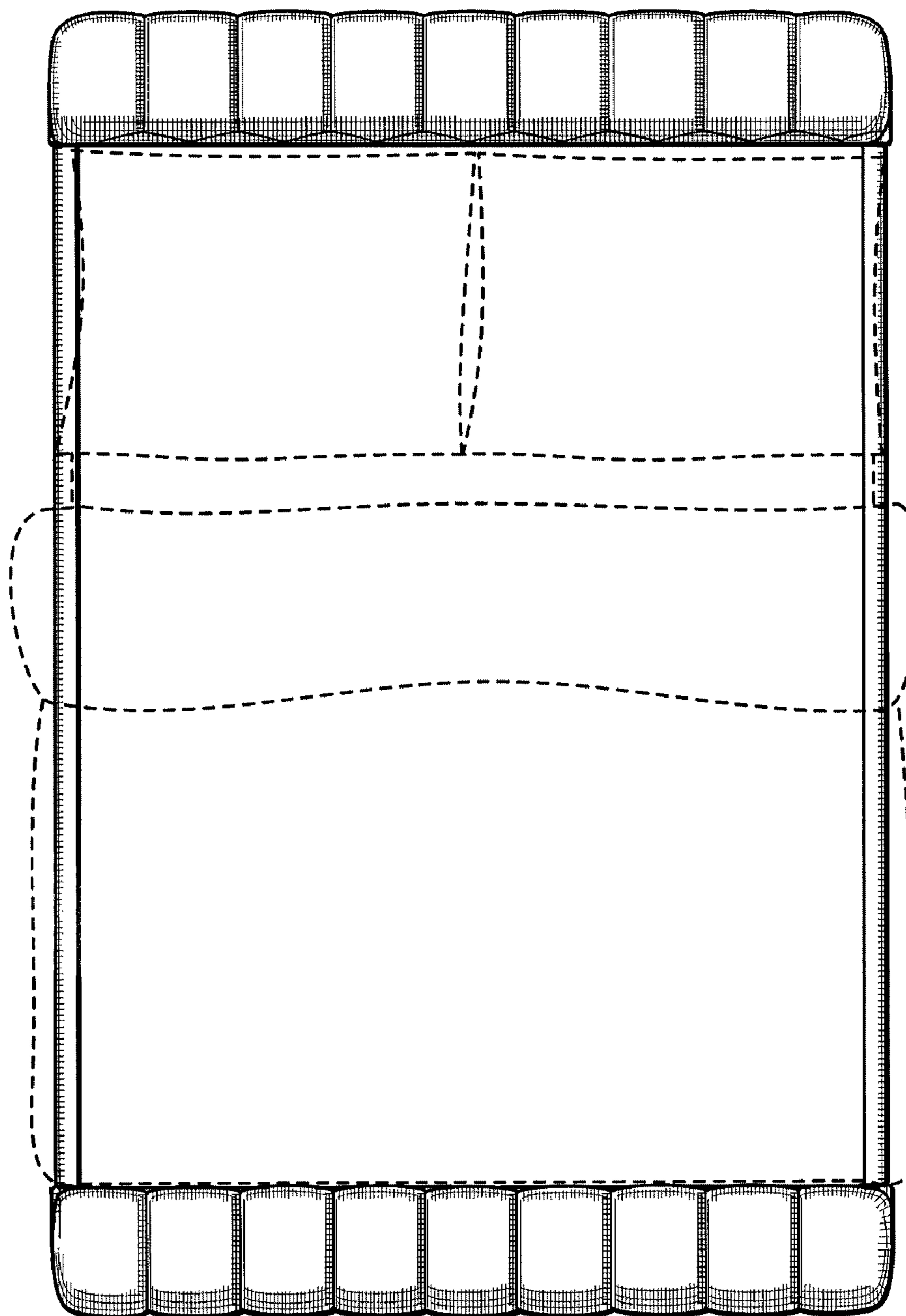


FIG. 2

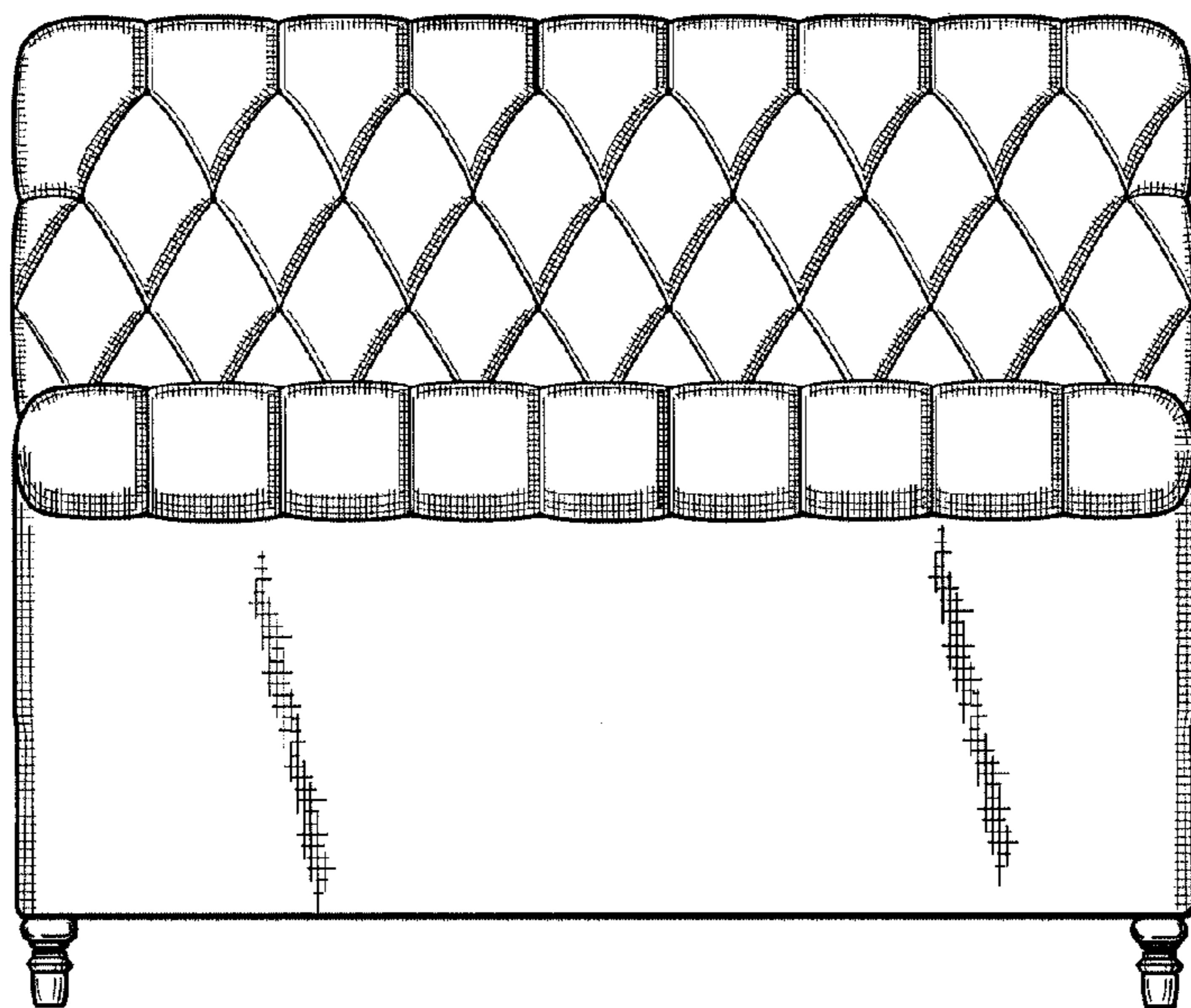


FIG. 3

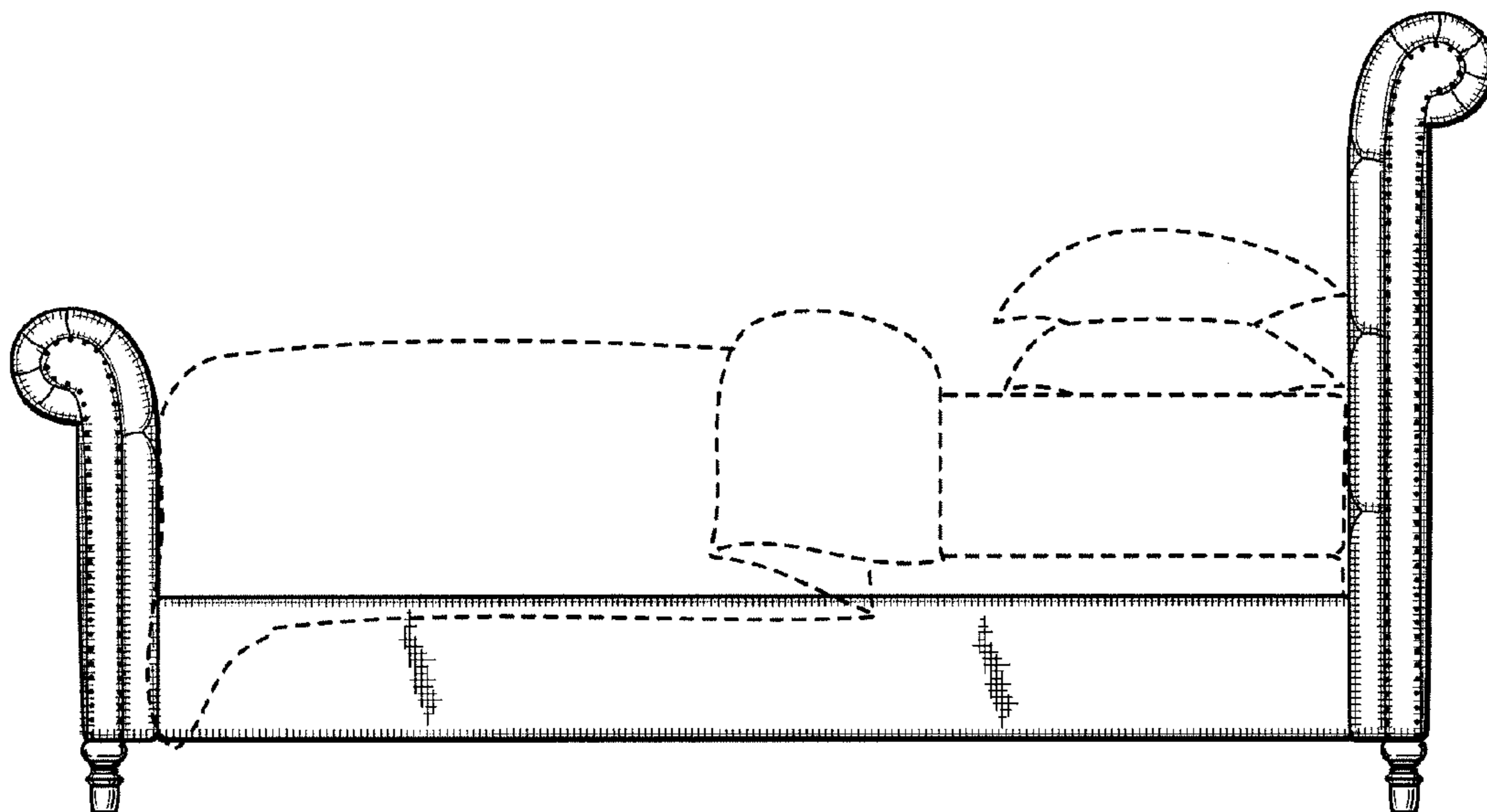


FIG. 4