

US00D673384S

(12) **United States Design Patent**
Yang

(10) **Patent No.:** **US D673,384 S**

(45) **Date of Patent:** **** Jan. 1, 2013**

(54) **OFFICE CHAIR**

(75) Inventor: **Jianhua Yang**, Foshan (CN)

(73) Assignee: **Jianhua Yang**, Foshan, Guangdong (CN)

(**) Term: **14 Years**

(21) Appl. No.: **29/401,115**

(22) Filed: **Sep. 7, 2011**

(51) **LOC (9) Cl.** **06-01**

(52) **U.S. Cl.** **D6/366**

(58) **Field of Classification Search** D6/334-336,
D6/364, 365, 366, 367, 369, 379, 380, 498,
D6/500-502; 297/284.4, 411.28, 452.13,
297/452.21, 452.29, 452.3, 452.46, 452.56,
297/452.64

See application file for complete search history.

(56) **References Cited**

U.S. PATENT DOCUMENTS

D541,063 S * 4/2007 Su D6/366
D642,393 S * 8/2011 Giugiaro D6/366
D642,394 S * 8/2011 Giugiaro D6/366

D643,641 S * 8/2011 Figueroa D6/366
D646,915 S * 10/2011 Schweikarth et al. D6/502
D653,044 S * 1/2012 Schaack D6/366

* cited by examiner

Primary Examiner — Mimoso De

(74) *Attorney, Agent, or Firm* — Rankin, Hill & Clark LLP

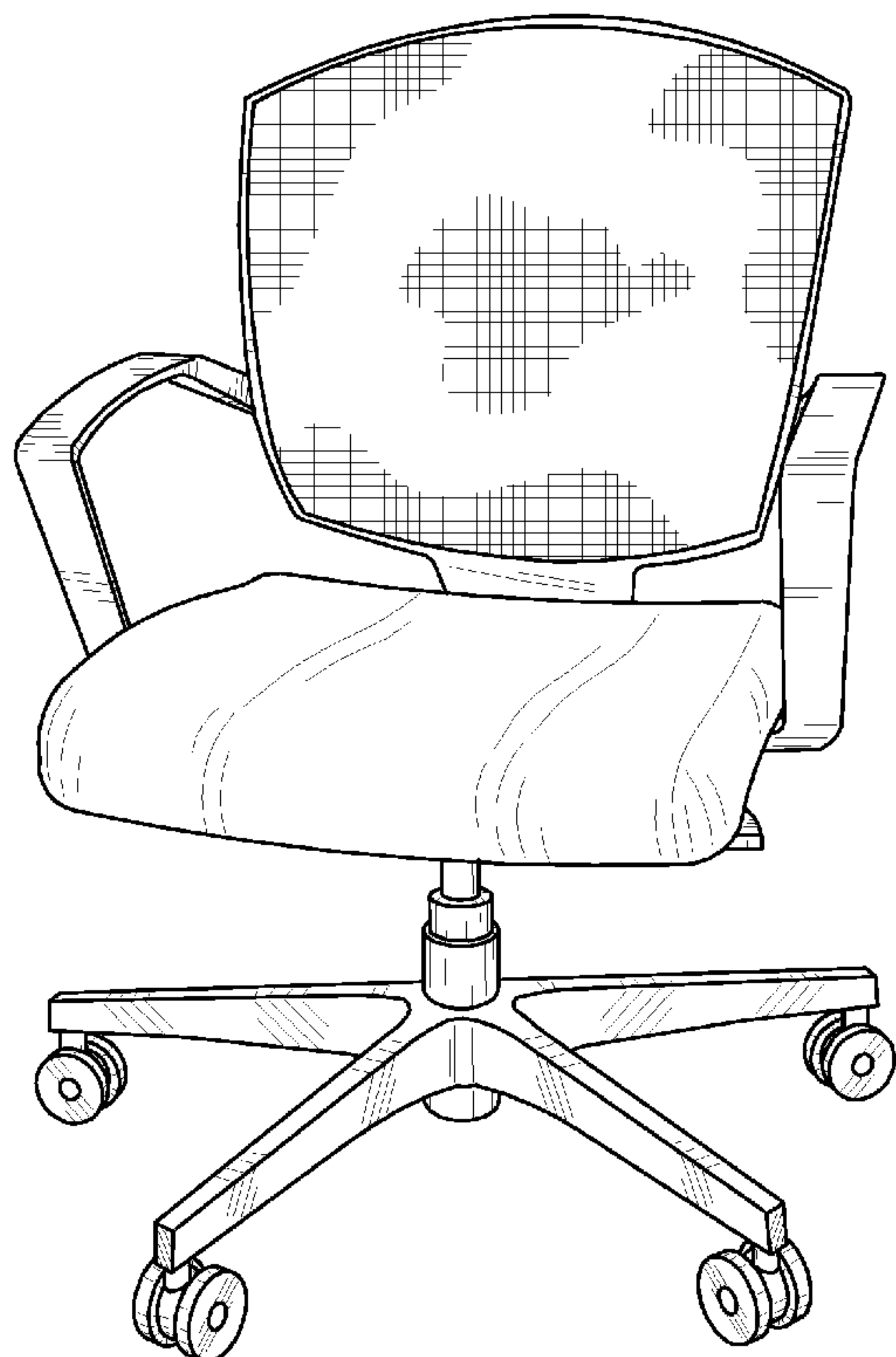
(57) **CLAIM**

The ornamental design for an office chair, as shown and described.

DESCRIPTION

FIG. 1 is a perspective view generally taken from one side of the office chair showing the design;
FIG. 2 is a front elevational view thereof;
FIG. 3 is a rear elevational view thereof;
FIG. 4 is a left view thereof;
FIG. 5 is a right view thereof; and,
FIG. 6 is a top plan view thereof.
The fragmented depiction of the mesh pattern on the backrest repeats uniformly throughout the circumscribed areas.

1 Claim, 6 Drawing Sheets



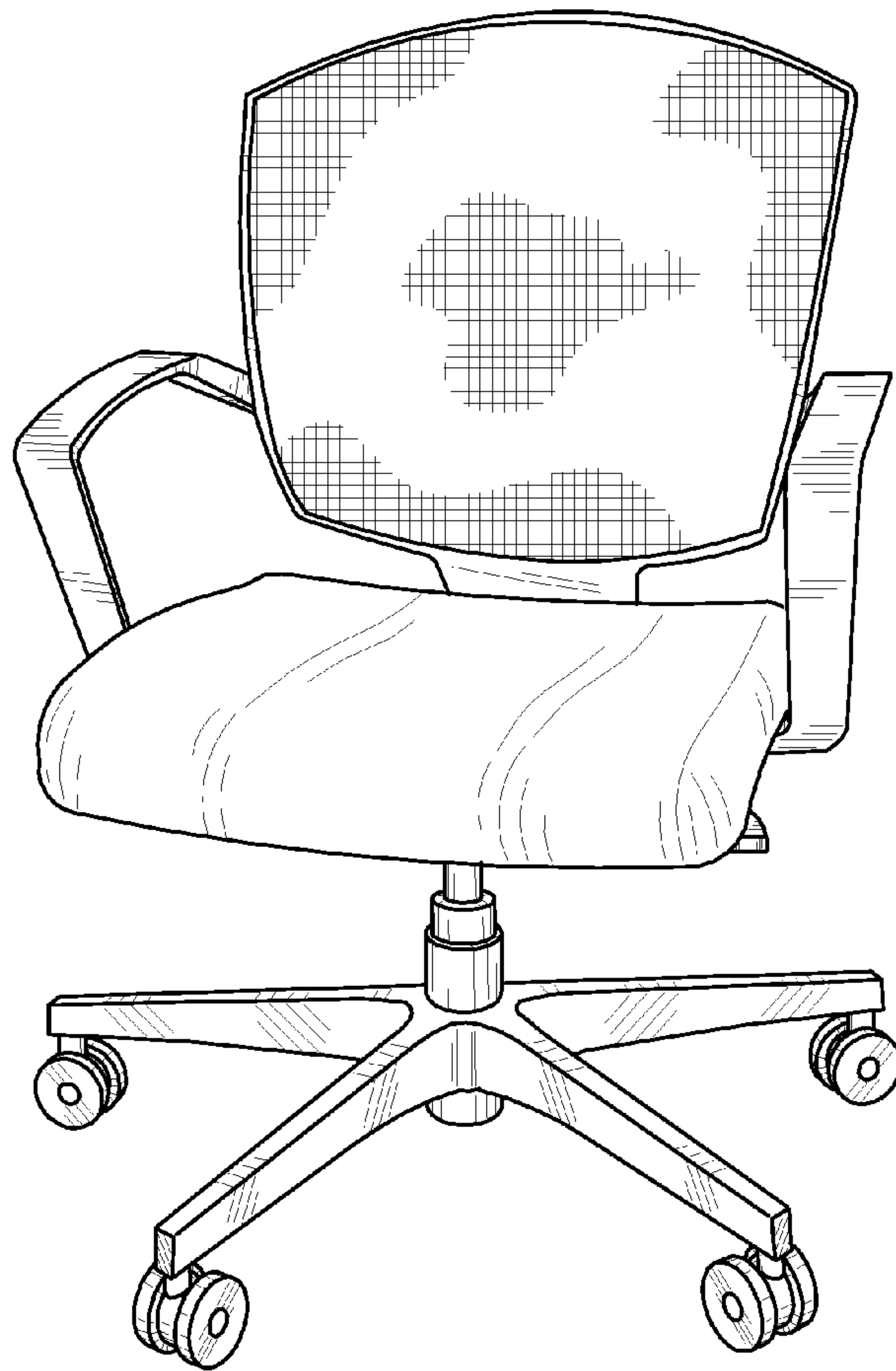


FIG. 1

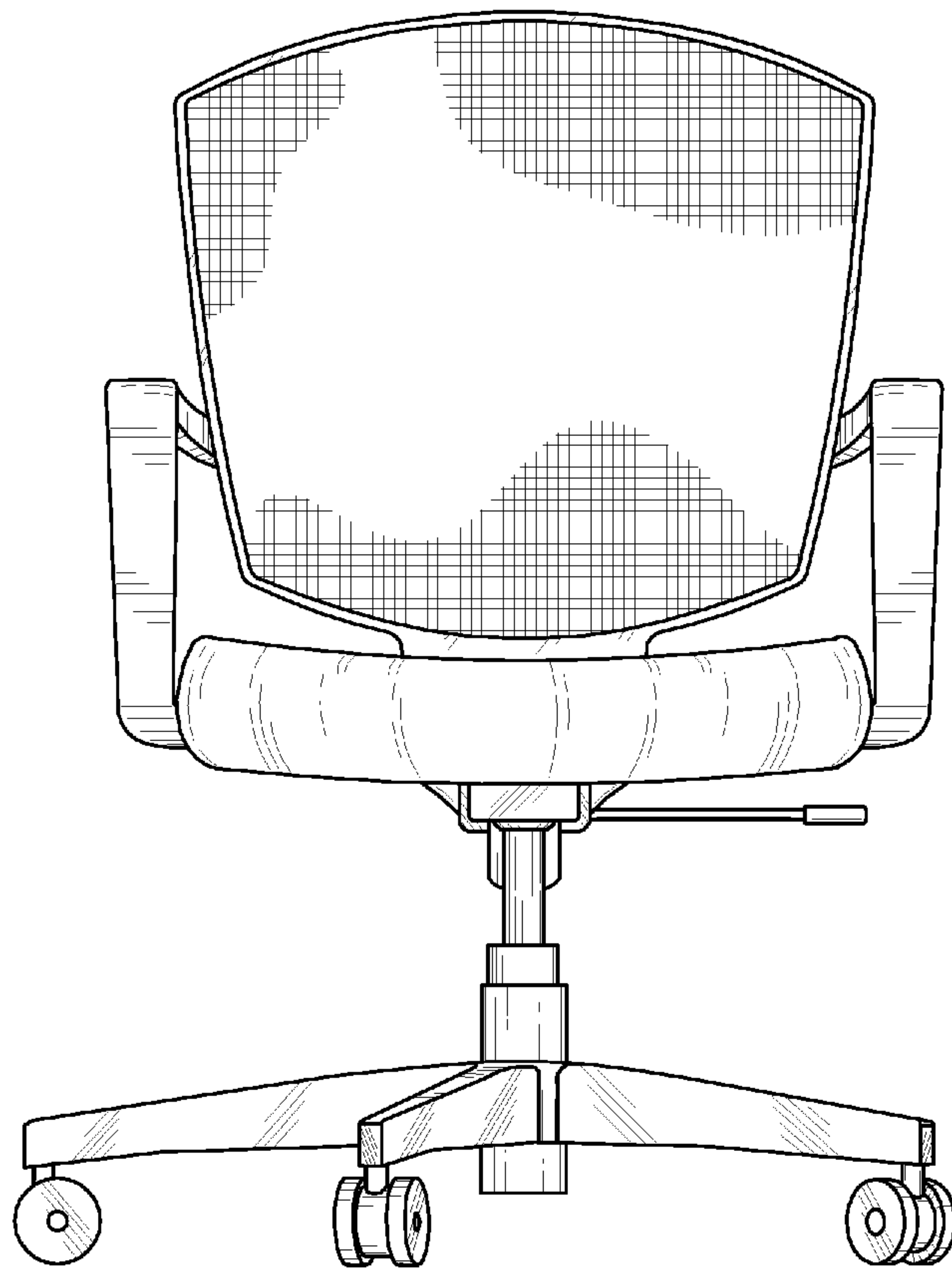


FIG.2

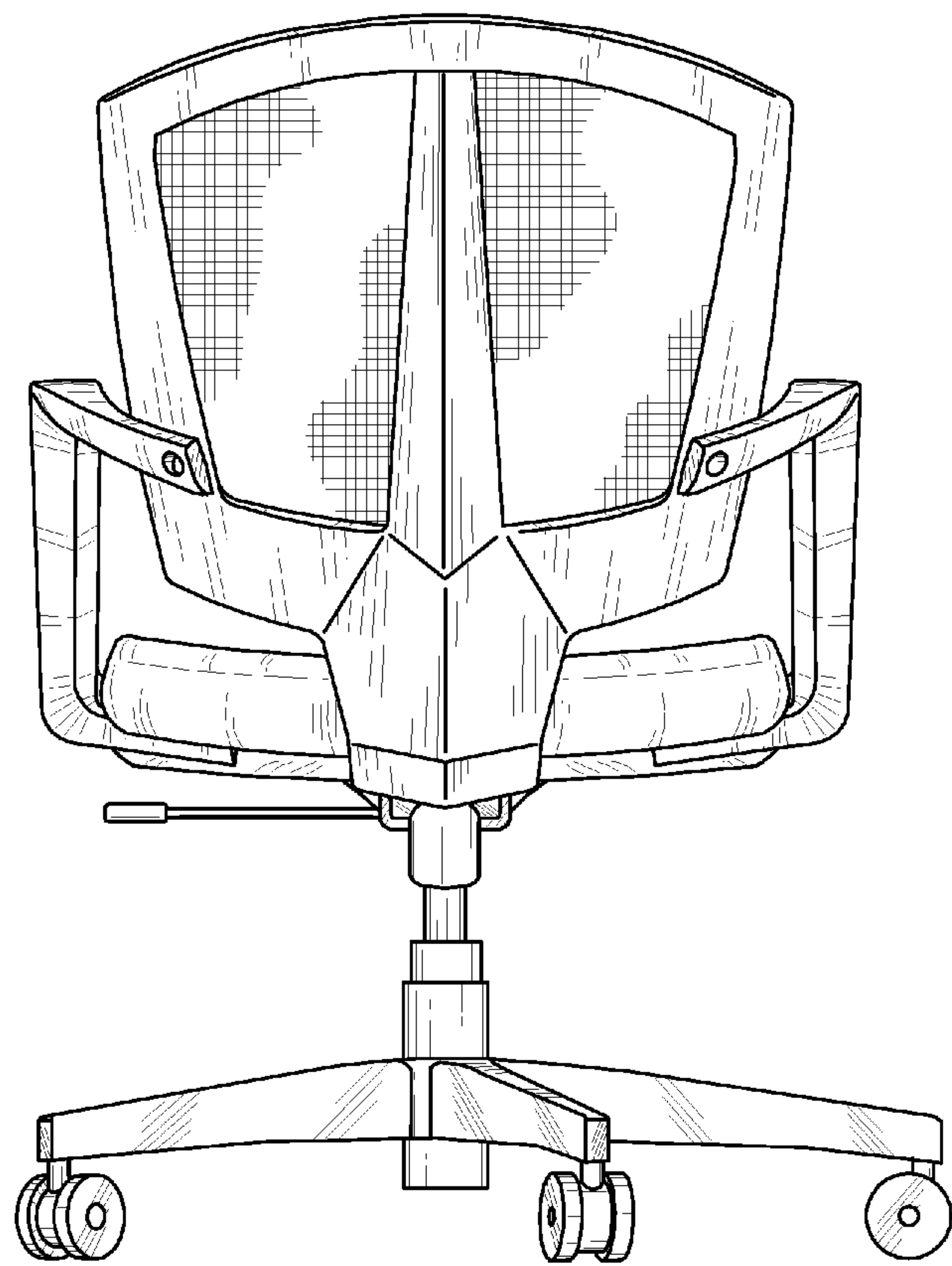


FIG.3

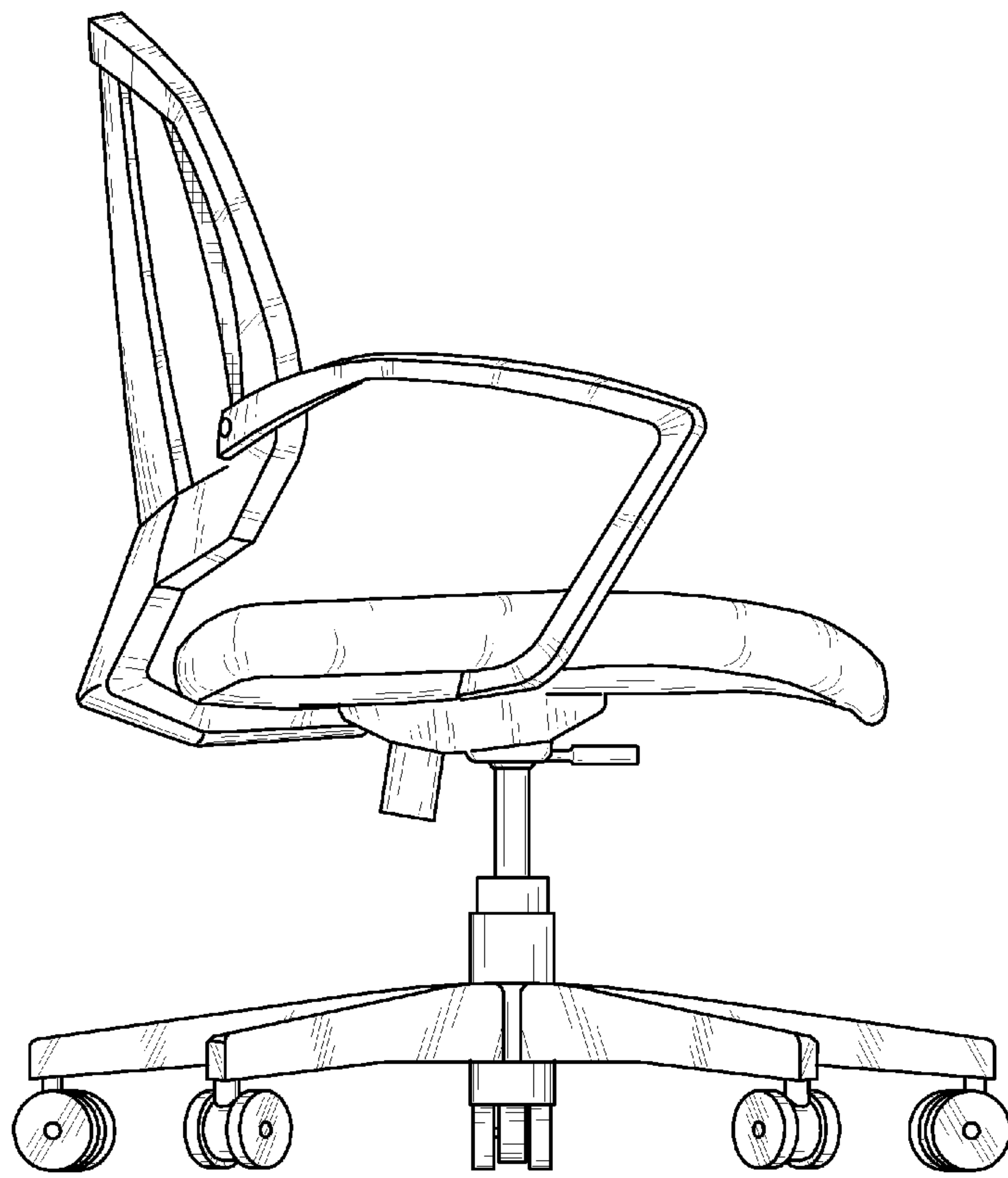


FIG.4



FIG. 5

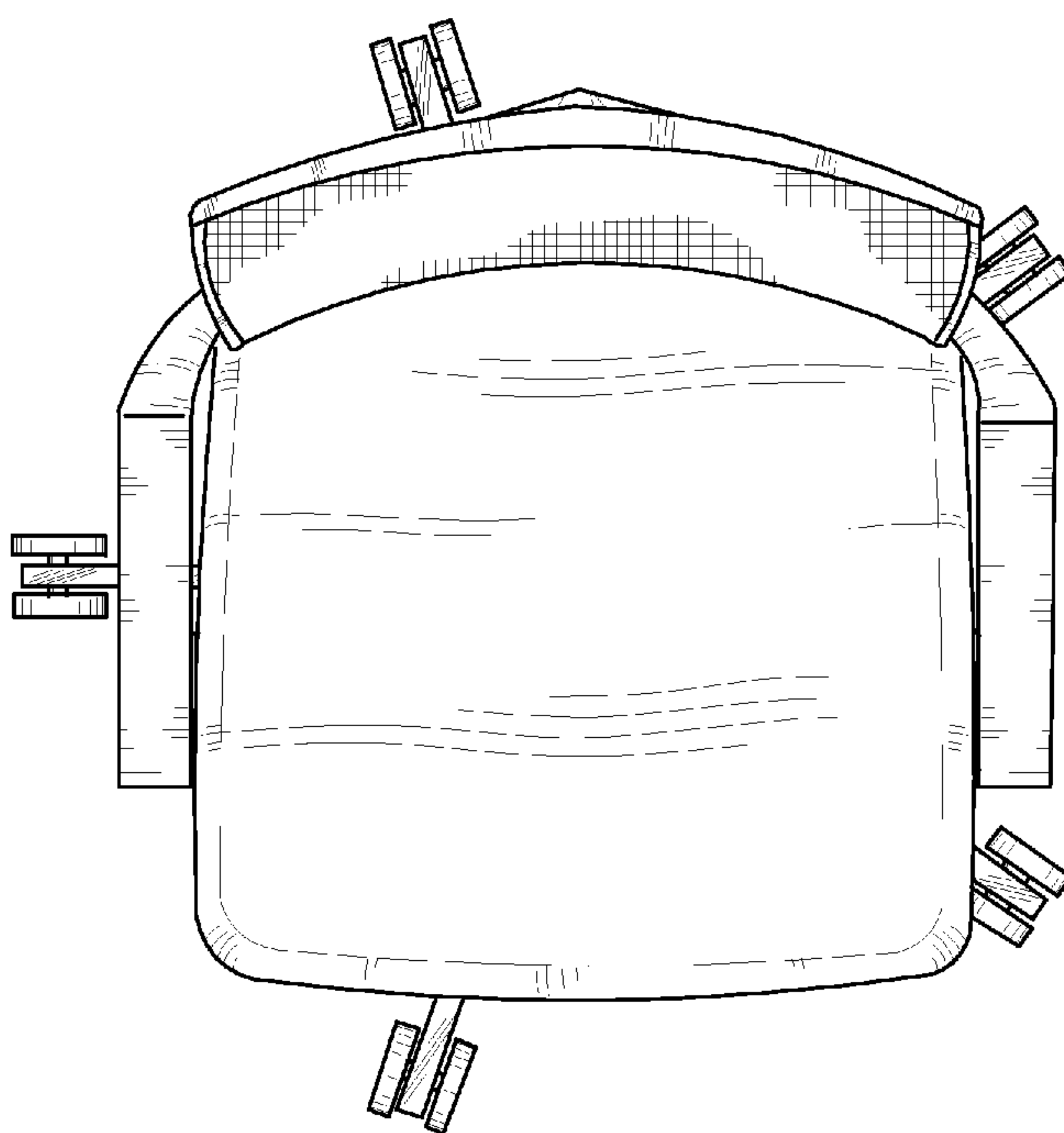


FIG.6