



US00D673371S

(12) **United States Design Patent**
Sheikh

(10) **Patent No.:** **US D673,371 S**
(45) **Date of Patent:** **** Jan. 1, 2013**

- (54) **TELESCOPIC HANDLE FOR LUGGAGE**
- (75) Inventor: **Haroon Sheikh**, Weston, FL (US)
- (73) Assignee: **Heys (USA), Inc.**, Weston, FL (US)
- (**) Term: **14 Years**
- (21) Appl. No.: **29/418,133**
- (22) Filed: **Apr. 12, 2012**

6,132,059	A	10/2000	Leibowitz	
6,179,101	B1	1/2001	Lin	
D438,005	S	2/2001	Tiramani et al.	
6,186,295	B1 *	2/2001	Lin et al.	190/18 A
6,305,514	B1	10/2001	Lin et al.	
6,390,259	B1	5/2002	Lu	
D462,169	S	9/2002	Giovanni	
6,460,668	B1	10/2002	Godshaw et al.	
D479,648	S	9/2003	De Lathouwer	
6,695,107	B2	2/2004	Godshaw et al.	
6,857,512	B2	2/2005	Scicluna et al.	
6,932,427	B2	8/2005	Tamura	
7,055,978	B2	6/2006	Worthington	
7,093,700	B2	8/2006	Krulik et al.	

Related U.S. Application Data

- (63) Continuation of application No. 13/445,106, filed on Apr. 12, 2012, and a continuation of application No. 13/444,924, filed on Apr. 12, 2012.
- (51) **LOC (9) Cl.** **03-01**
- (52) **U.S. Cl.** **D3/318**
- (58) **Field of Classification Search** D3/318, D3/279, 282; 190/18 A, 39
See application file for complete search history.

(Continued)

FOREIGN PATENT DOCUMENTS

CA 2635328 12/2009

Primary Examiner — Holly Baynham

(74) *Attorney, Agent, or Firm* — Akerman Senterfitt

(57) **CLAIM**

I claim the ornamental design for a telescopic handle for luggage, as shown and described.

(56) **References Cited**

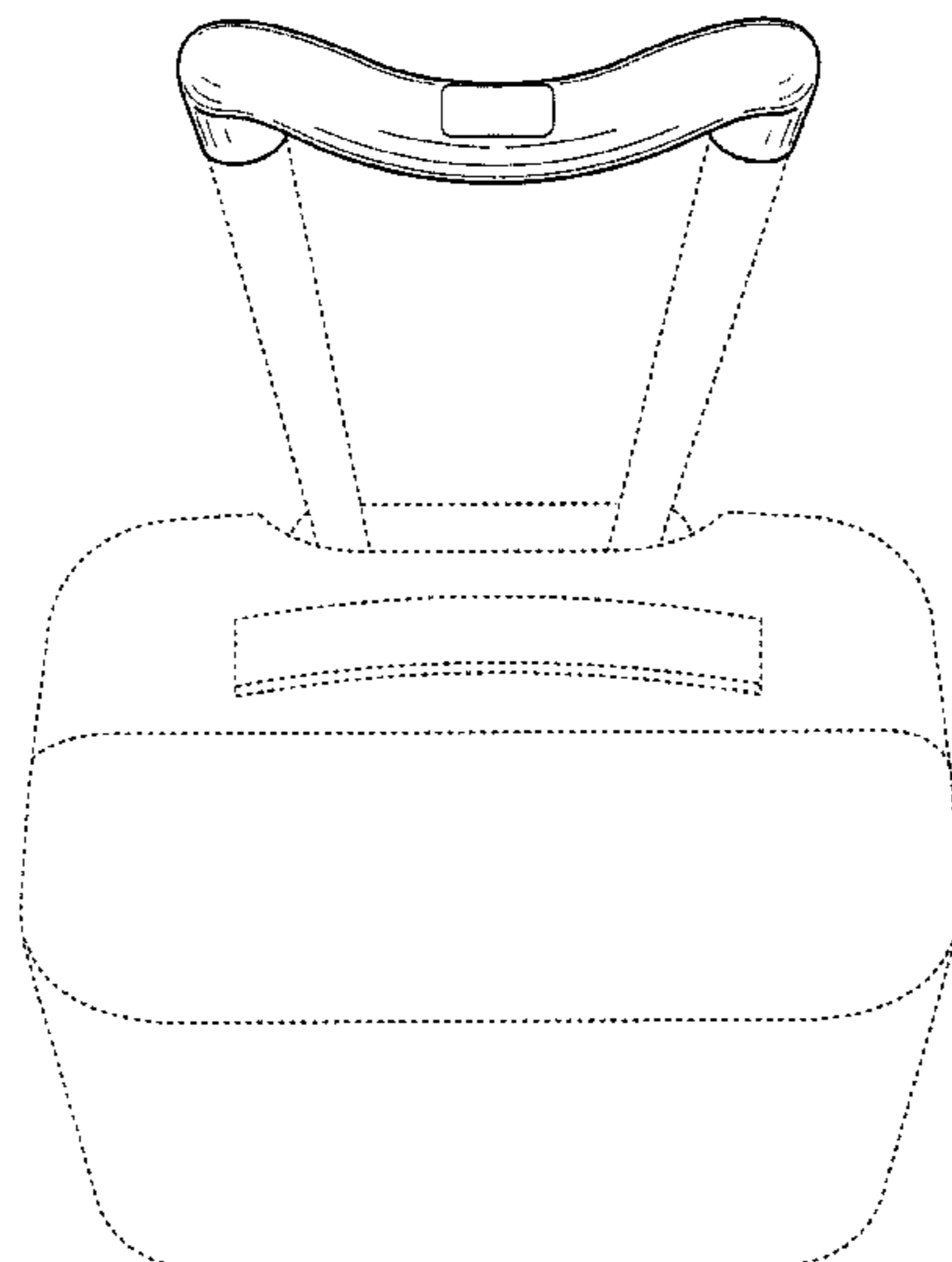
U.S. PATENT DOCUMENTS

1,171,678	A	2/1916	Trotter
1,947,838	A	2/1934	Fiss
2,104,935	A	1/1938	Solomon
2,536,169	A	1/1951	Gray
3,061,057	A	10/1962	Miller
3,443,671	A	5/1969	Dyke
4,773,515	A	9/1988	Kotkins, Jr.
4,844,215	A	7/1989	Ambasz
D312,352	S	11/1990	King
5,358,082	A	10/1994	Armstrong, IV
5,397,151	A	3/1995	Jserng
D373,105	S	8/1996	Imotani
5,865,281	A	2/1999	Wang
5,921,635	A	7/1999	Deliman et al.
6,000,509	A	12/1999	Chisholm
6,021,874	A	2/2000	Nykoluk
6,059,078	A	5/2000	Nykoluk
6,062,356	A	5/2000	Nykoluk

DESCRIPTION

FIG. 1 is a reference view of a telescopic handle for luggage, showing our new, original and ornamental design;
 FIG. 2 is a perspective view of the telescopic handle for luggage;
 FIG. 3 is a front elevational view thereof;
 FIG. 4 is a rear elevational view thereof;
 FIG. 5 is a top plan view thereof;
 FIG. 6 is a bottom plan view thereof;
 FIG. 7 is a right side elevational view thereof; and,
 FIG. 8 is a left side elevational view thereof.
 The broken lines showing luggage and a portion of the telescoping rod are for the purposes of illustrating environment and form no part of the claimed design.

1 Claim, 7 Drawing Sheets



US D673,371 S

Page 2

U.S. PATENT DOCUMENTS					
D531,411	S	11/2006	Fenton et al.	2004/0065519	A1 4/2004 Morszeck
7,143,878	B2	12/2006	Selvi	2004/0076000	A1 4/2004 Thorp
D536,875	S	2/2007	Fenton	2006/0196743	A1 9/2006 Lin
7,195,109	B2	3/2007	Mitchell et al.	2007/0133195	A1 6/2007 Gorton
7,226,073	B1	6/2007	Zahiri	2007/0153503	A1 7/2007 Feng
D553,364	S *	10/2007	Moon D3/318	2008/0099290	A1 5/2008 Stern
7,296,665	B2	11/2007	Morszeck	2009/0314677	A1 12/2009 Teggatz et al.
D591,511	S *	5/2009	Wu D3/318	2010/0095480	A1 4/2010 Scicluna
7,641,030	B2	1/2010	Selvi	2011/0168507	A1 7/2011 Penley et al.
D648,132	S *	11/2011	Wu D3/318		

* cited by examiner

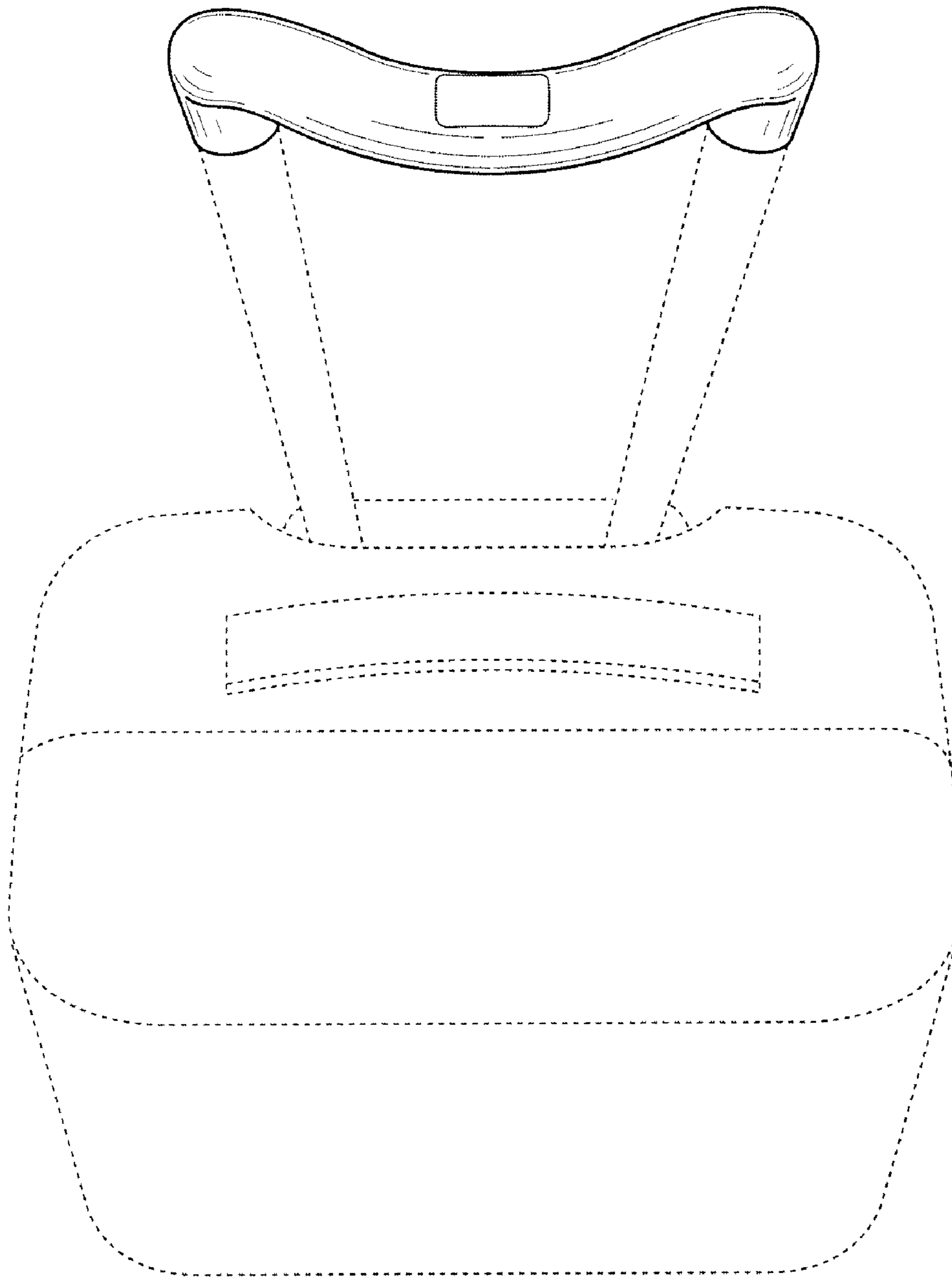


FIG. 1

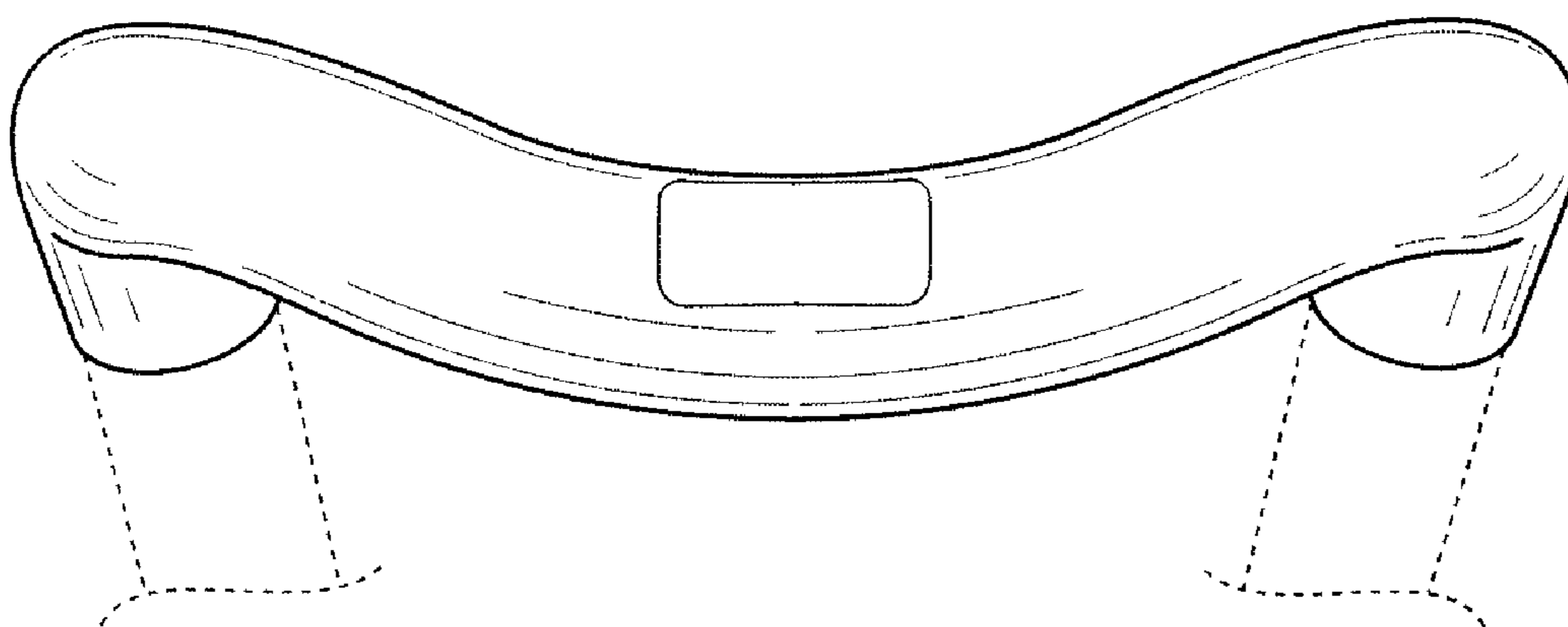


FIG. 2

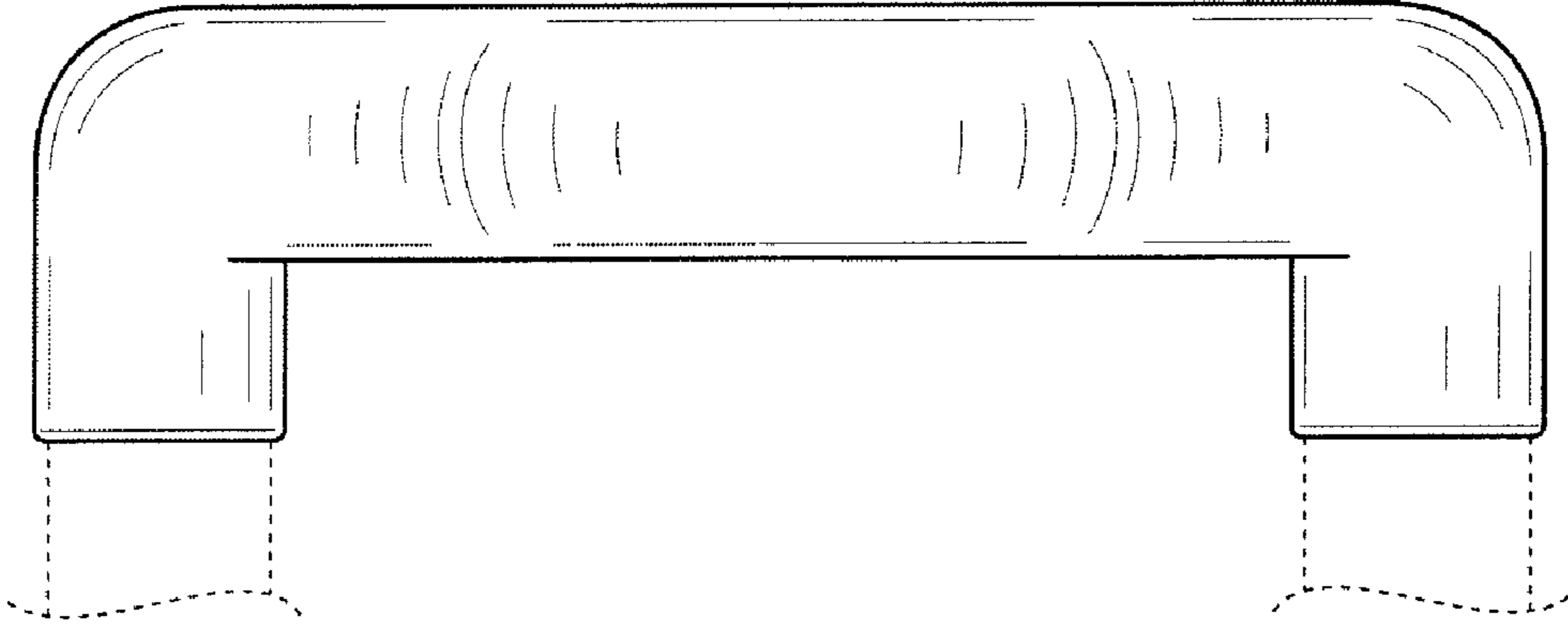


FIG. 3

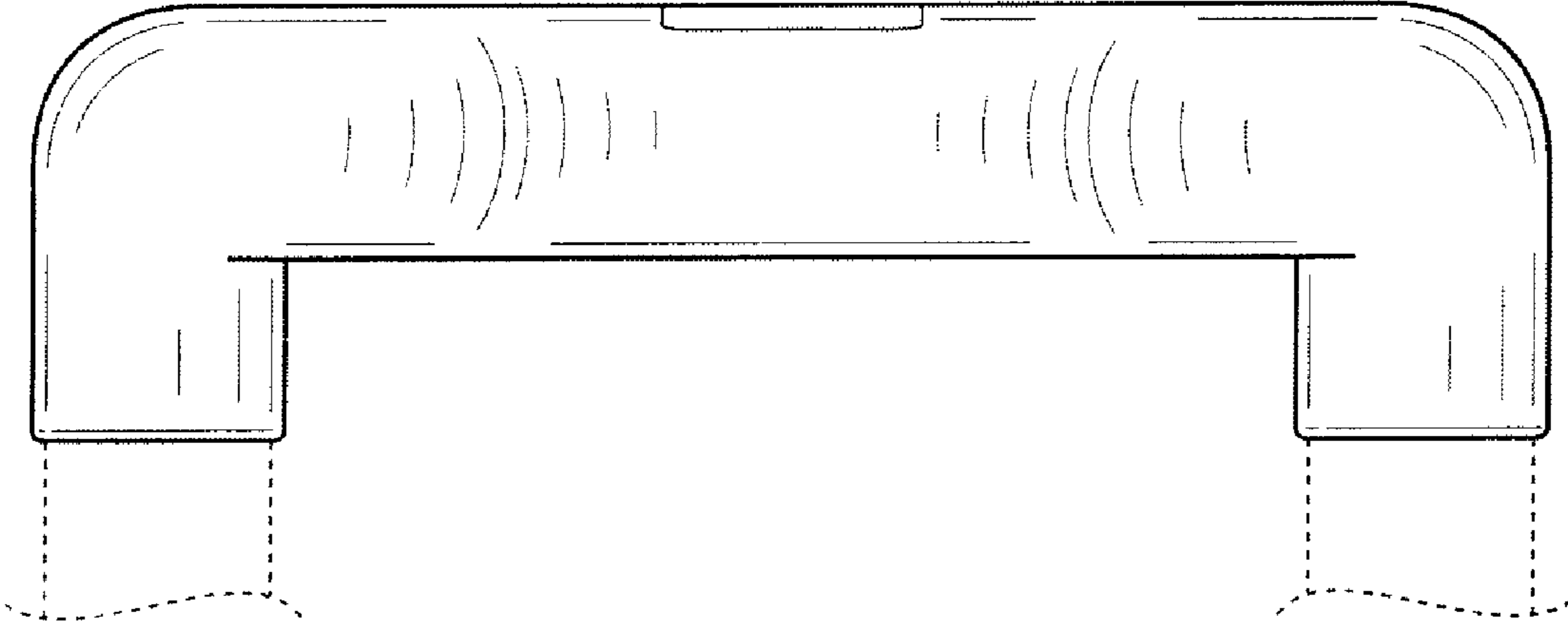


FIG. 4

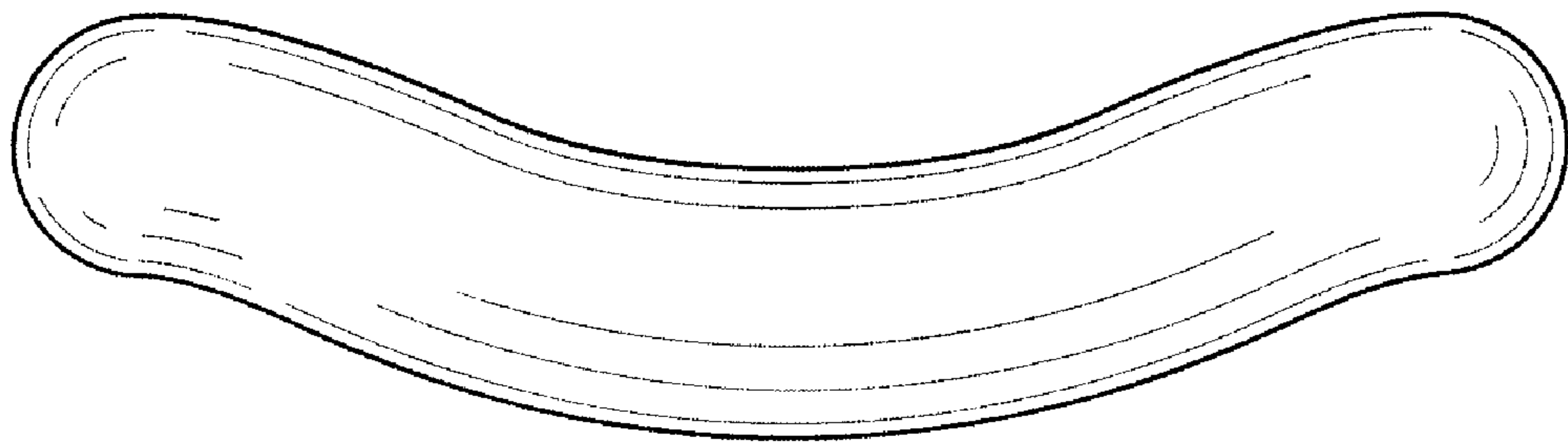


FIG. 5

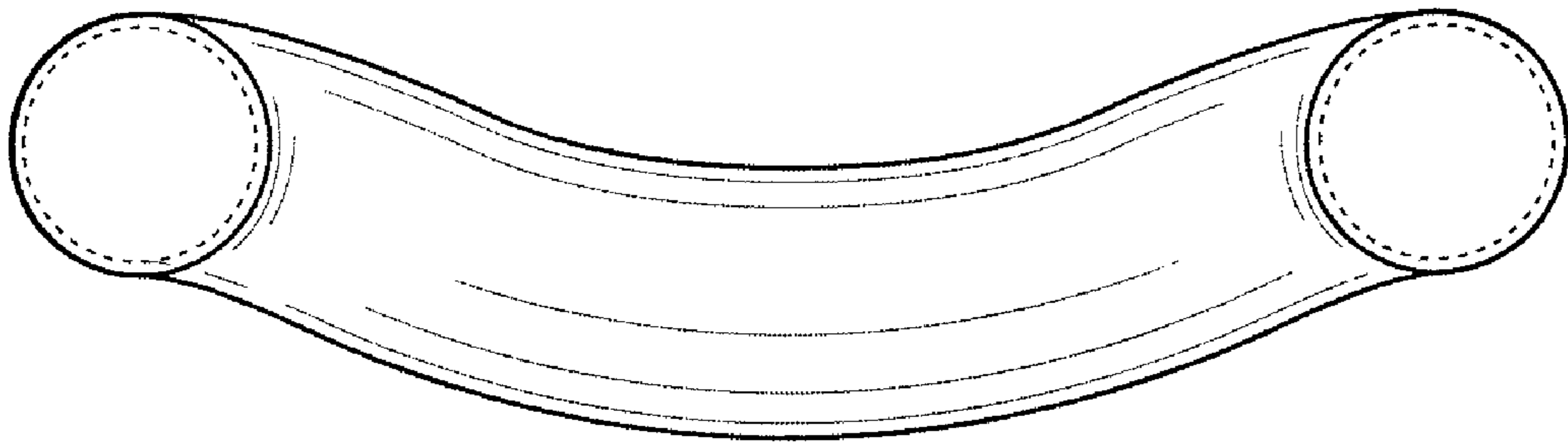


FIG. 6

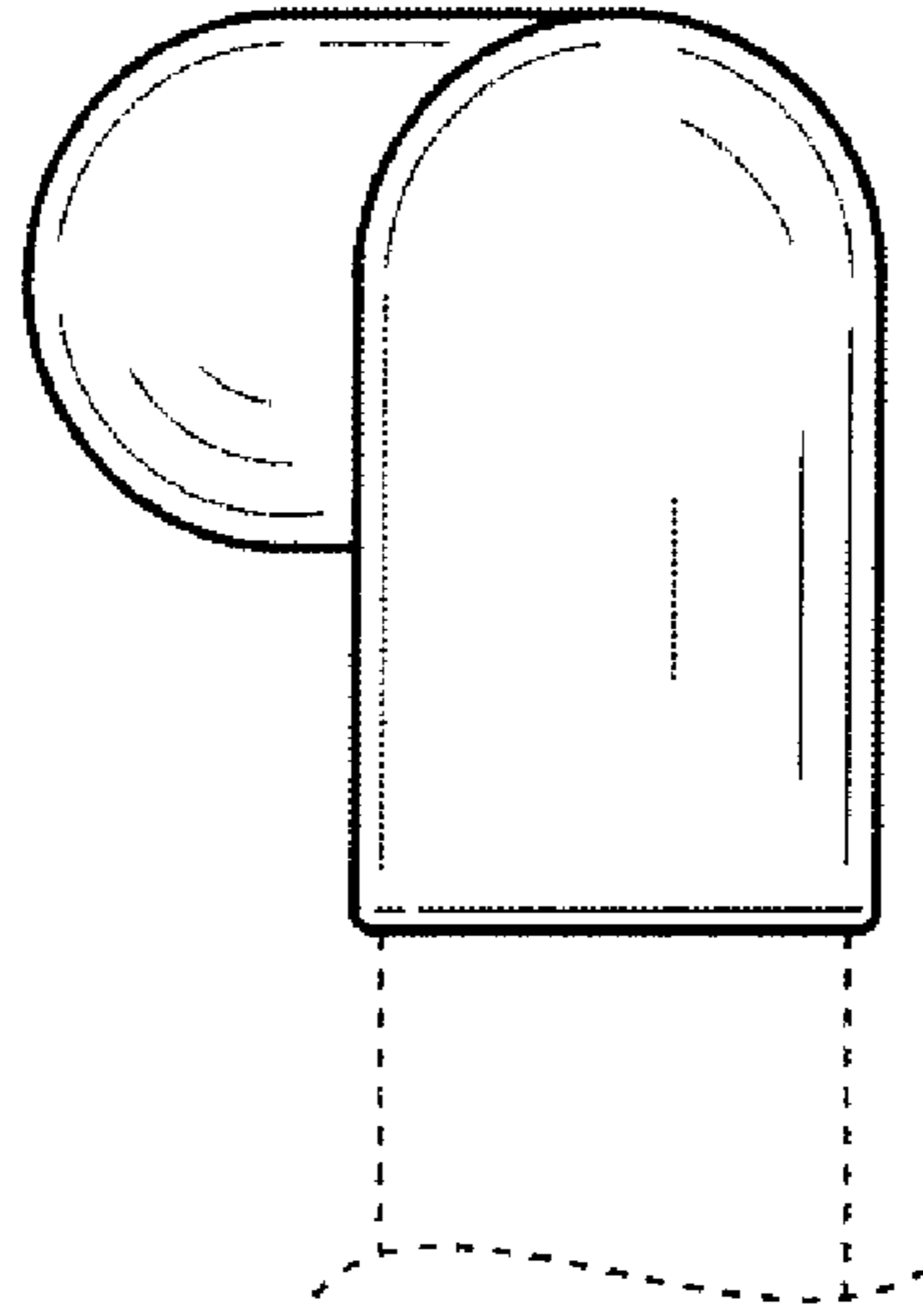


FIG. 7

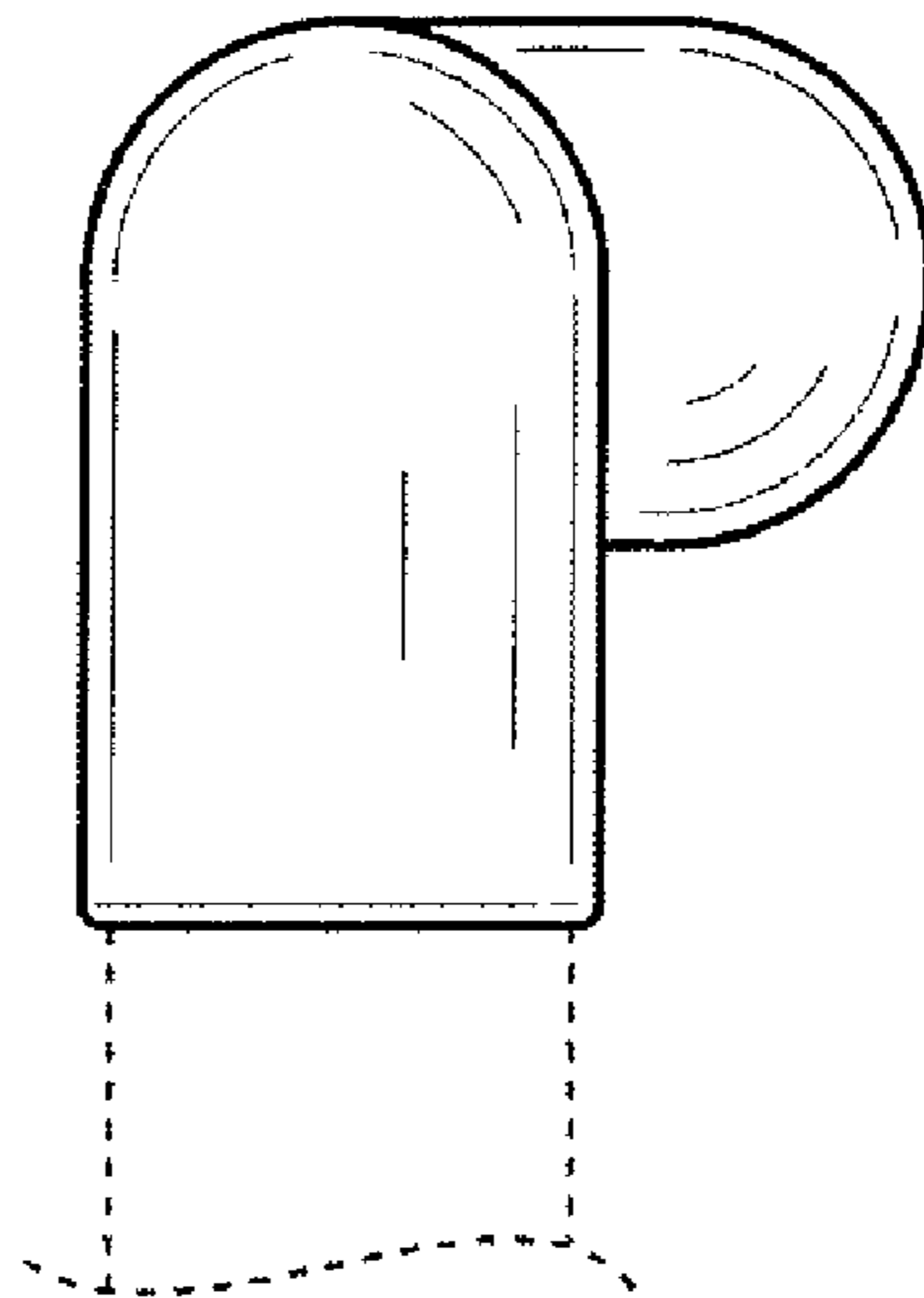


FIG. 8