



US00D673370S

(12) **United States Design Patent**  
**Nash**

(10) **Patent No.:** **US D673,370 S**  
(45) **Date of Patent:** **\*\* Jan. 1, 2013**

(54) **OPEN-ENDED CONTAINER SYSTEM**

(75) Inventor: **Jaime W. Nash**, Lake Tapps, WA (US)

(73) Assignee: **Wilmar Corporation**, Renton, WA (US)

(\*\*) Term: **14 Years**

(21) Appl. No.: **29/422,034**

(22) Filed: **May 15, 2012**

**Related U.S. Application Data**

(63) Continuation of application No. 29/400,177, filed on Aug. 24, 2011, now abandoned.

(51) **LOC (9) Cl.** ..... **03-01**

(52) **U.S. Cl.** ..... **D3/310**

(58) **Field of Classification Search** ..... D3/304,  
D3/310, 315; D6/449, 470-473, 509-510;  
D7/601-602, 605, 612-614, 701; 312/114-117;  
206/503-504; D9/424-426; 220/23.2-23.6,  
220/23.83

See application file for complete search history.

(56) **References Cited**

**U.S. PATENT DOCUMENTS**

1,862,609	A *	6/1932	Shaw	312/107
D110,477	S	7/1938	Carpenter	
D127,672	S	6/1941	Brown	
3,113,680	A *	12/1963	Frater et al.	211/126.4
D200,969	S *	4/1965	Wildgen	D7/612
3,259,269	A *	7/1966	Asenbauer	206/509
3,307,709	A	3/1967	Hulterstrum	
D255,627	S *	7/1980	Newsom et al.	D6/471

(Continued)

**OTHER PUBLICATIONS**

U.S. Appl. No. 29/400,157, filed Aug. 24, 2011, Nash, Jamie W.

(Continued)

*Primary Examiner* — Kelley Donnelly

(74) *Attorney, Agent, or Firm* — Condo Roccia LLP

(57) **CLAIM**

The ornamental design for an open-ended container system, as shown and described.

**DESCRIPTION**

This application is also related to U.S. patent application Ser. No. 29/400,158 filed Aug. 24, 2011, and to U.S. patent application Ser. No. 29/400,169 filed Aug. 24, 2011.

FIG. 1 is a front perspective view of a first embodiment of an open-ended container system embodying my new design; FIG. 2 is a side view of the open-ended container system of FIG. 1;

FIG. 3 is a top view of the open-ended container system of FIG. 1;

FIG. 4 is a front view of the open-ended container system of FIG. 1;

FIG. 5 is a back view of the open-ended container of FIG. 1; and

FIG. 6 is a bottom view of the open-ended container system of FIG. 1;

FIG. 7 is a front perspective view of a second embodiment of an open-ended container system embodying my new design; FIG. 8 is a side view of the open-ended container system of FIG. 7;

FIG. 9 is a top view of the open-ended container system of FIG. 7;

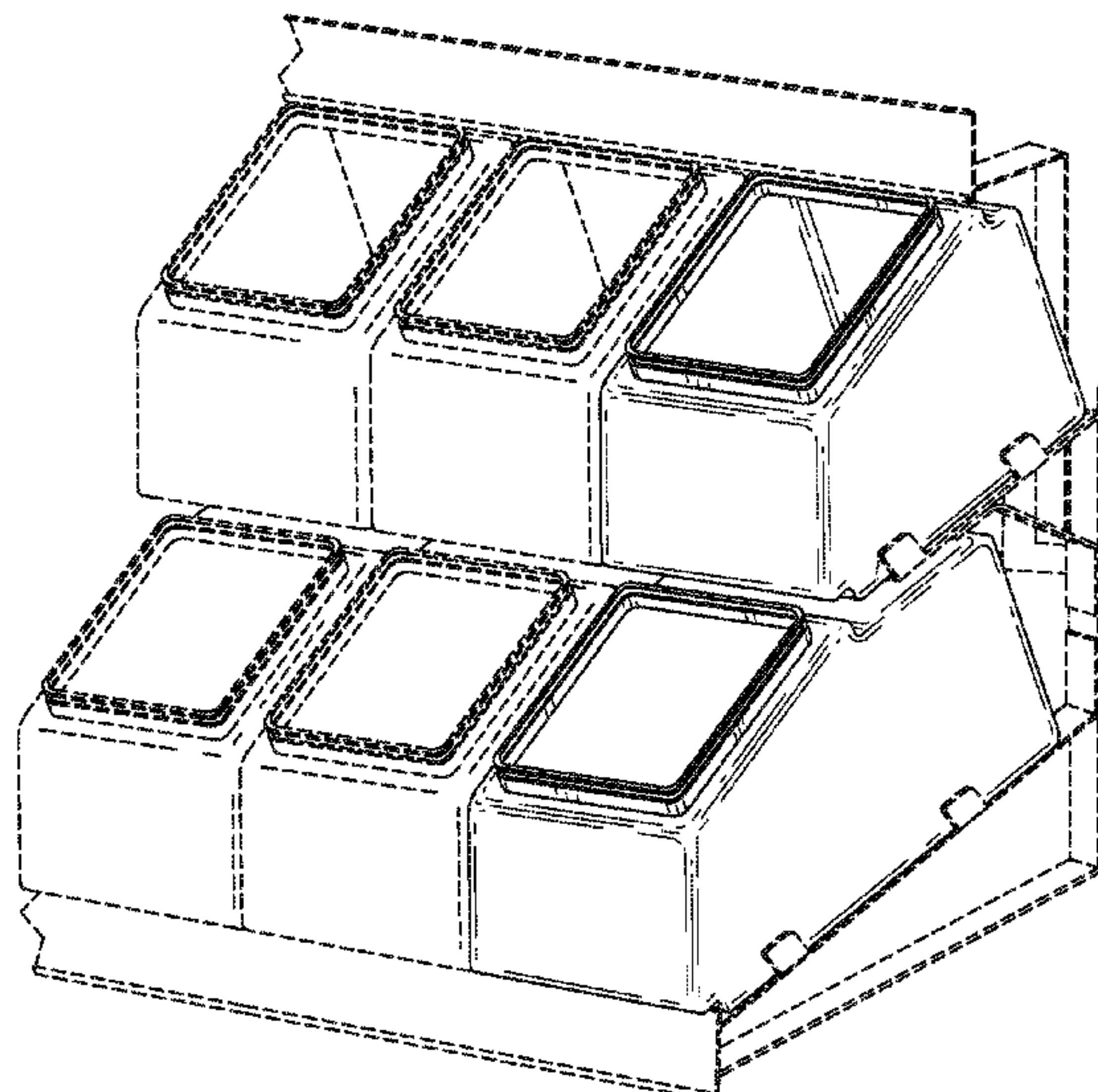
FIG. 10 is a front view of the open-ended container system of FIG. 7;

FIG. 11 is a rear view of the open-ended container system of FIG. 7; and,

FIG. 12 is a bottom view of the open-ended container system of FIG. 7.

The broken lines shown are included for the purpose of illustrating an environment of the article and form no part of the claimed design.

**1 Claim, 12 Drawing Sheets**



# US D673,370 S

Page 2

## U.S. PATENT DOCUMENTS

4,372,444 A \* 2/1983 Le Grand et al. .... 206/505  
D276,775 S \* 12/1984 Antti et al. .... D6/471  
D293,289 S \* 12/1987 Edwards et al. .... D7/612  
D293,407 S \* 12/1987 Edwards et al. .... D7/612  
4,718,578 A 1/1988 Radek et al.  
4,744,487 A 5/1988 Welborn  
D311,799 S \* 10/1990 Embree et al. .... D3/294  
D313,150 S 12/1990 Hestehave et al.  
4,993,583 A 2/1991 Chasen  
5,092,474 A 3/1992 Leigner  
D327,971 S \* 7/1992 Cugley ..... D3/304  
5,271,515 A 12/1993 Berkheimer et al.  
D343,093 S 1/1994 Sabin et al.  
D343,766 S \* 2/1994 Bastidos ..... D7/614  
D347,554 S \* 6/1994 Wingate et al. .... D7/612  
D365,229 S \* 12/1995 Story et al. .... D6/471  
D370,834 S \* 6/1996 Hartman ..... D7/612  
5,531,517 A \* 7/1996 Alpen ..... 312/111  
5,678,701 A \* 10/1997 Anderson ..... 211/73  
D406,988 S 3/1999 Tisdale  
6,062,388 A \* 5/2000 Ohayon ..... 206/509  
D429,882 S \* 8/2000 Lee et al. .... D3/294  
D429,967 S 8/2000 Barfield  
D432,869 S 10/2000 Saunders  
D462,012 S 8/2002 Manderfield, Jr.  
D464,887 S \* 10/2002 Sherwell ..... D9/516  
D500,640 S 1/2005 Lawson et al.  
D502,869 S \* 3/2005 Clarke ..... D9/425  
D509,438 S \* 9/2005 Woerz ..... D9/563  
D530,128 S 10/2006 Doran  
D533,330 S 12/2006 Beaulieu  
D538,539 S \* 3/2007 Richardson et al. .... D3/314

D540,174 S 4/2007 Lux  
7,216,779 B2 5/2007 Kasting et al.  
D547,973 S \* 8/2007 Brown et al. .... D6/476  
D576,883 S 9/2008 Carapelli  
D598,033 S \* 8/2009 Liu et al. .... D15/81  
D606,314 S \* 12/2009 Neilsen ..... D3/313  
D621,619 S 8/2010 Ripoll  
D623,954 S 9/2010 Hawry et al.  
7,789,238 B2 \* 9/2010 Claypool et al. .... 206/508  
D630,852 S \* 1/2011 Kobilarcik et al. .... D3/307  
D633,473 S \* 3/2011 Takeshi Yeung ..... D14/207  
D633,717 S 3/2011 Searcy  
D634,635 S \* 3/2011 Araujo et al. .... D9/500  
D635,031 S 3/2011 Themann  
D635,770 S 4/2011 Kobilarcik et al.  
D639,562 S \* 6/2011 Cadwell ..... D3/307  
8,025,176 B2 9/2011 Little et al.  
D652,722 S \* 1/2012 Robertson et al. .... D9/504  
D657,105 S \* 4/2012 Martheenal ..... D34/1  
8,215,485 B2 \* 7/2012 Maroofian et al. .... 206/445  
2005/0082307 A1 \* 4/2005 Tucker ..... 221/67  
2005/0181159 A1 8/2005 Dunlap et al.  
2006/0021984 A1 2/2006 Nottingham et al.  
2007/0187420 A1 8/2007 Gruskin et al.  
2009/0178989 A1 7/2009 Accuardi

## OTHER PUBLICATIONS

U.S. Appl. No. 29/400,169, filed Aug. 24, 2011, Nash, Jamie W.  
U.S. Appl. No. 29/400,177, filed Aug. 24, 2011, Nash, Jamie W.  
U.S. Appl. No. 29/422,033, filed May 15, 2012, Nash, Jamie W.

\* cited by examiner



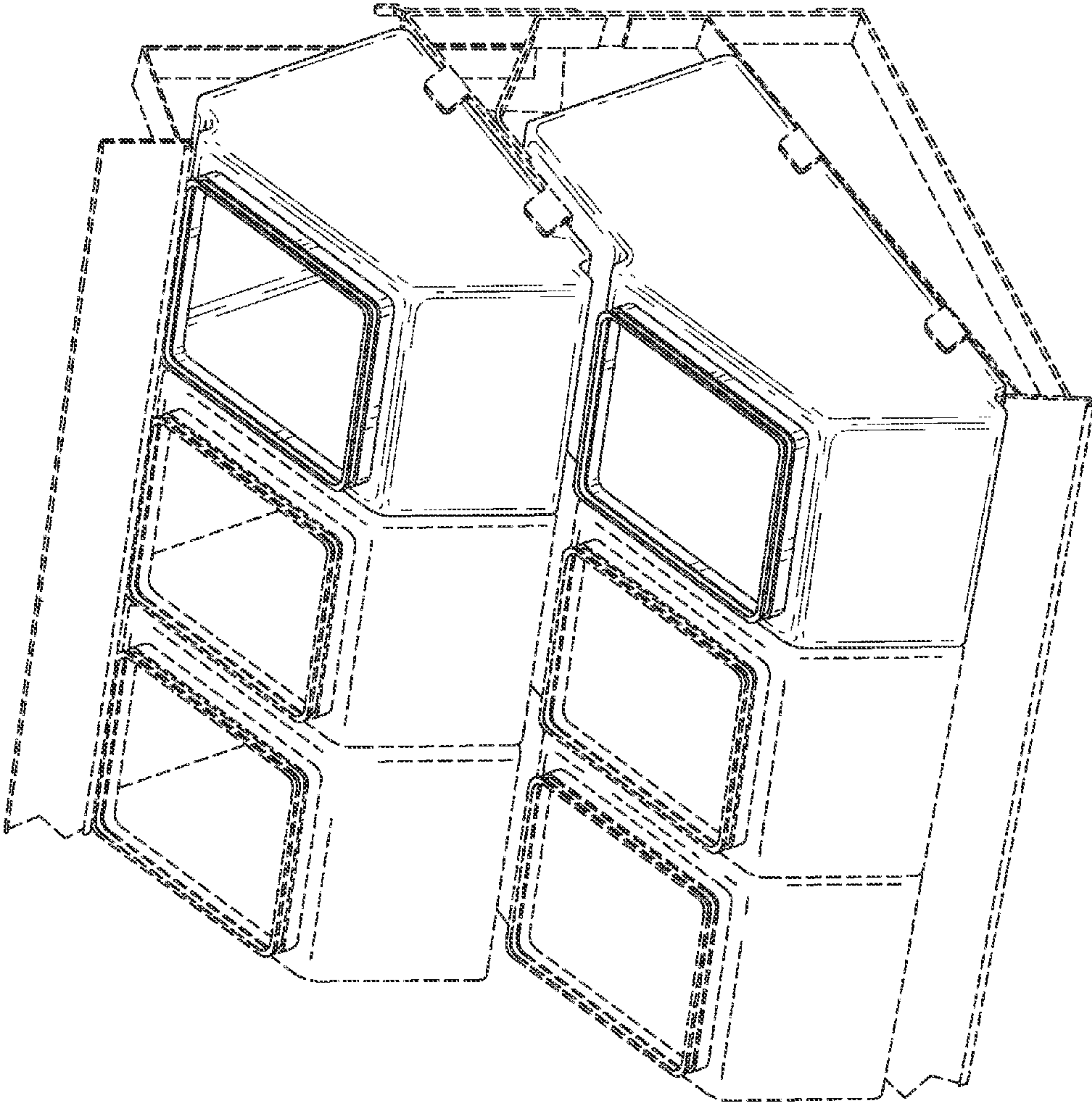
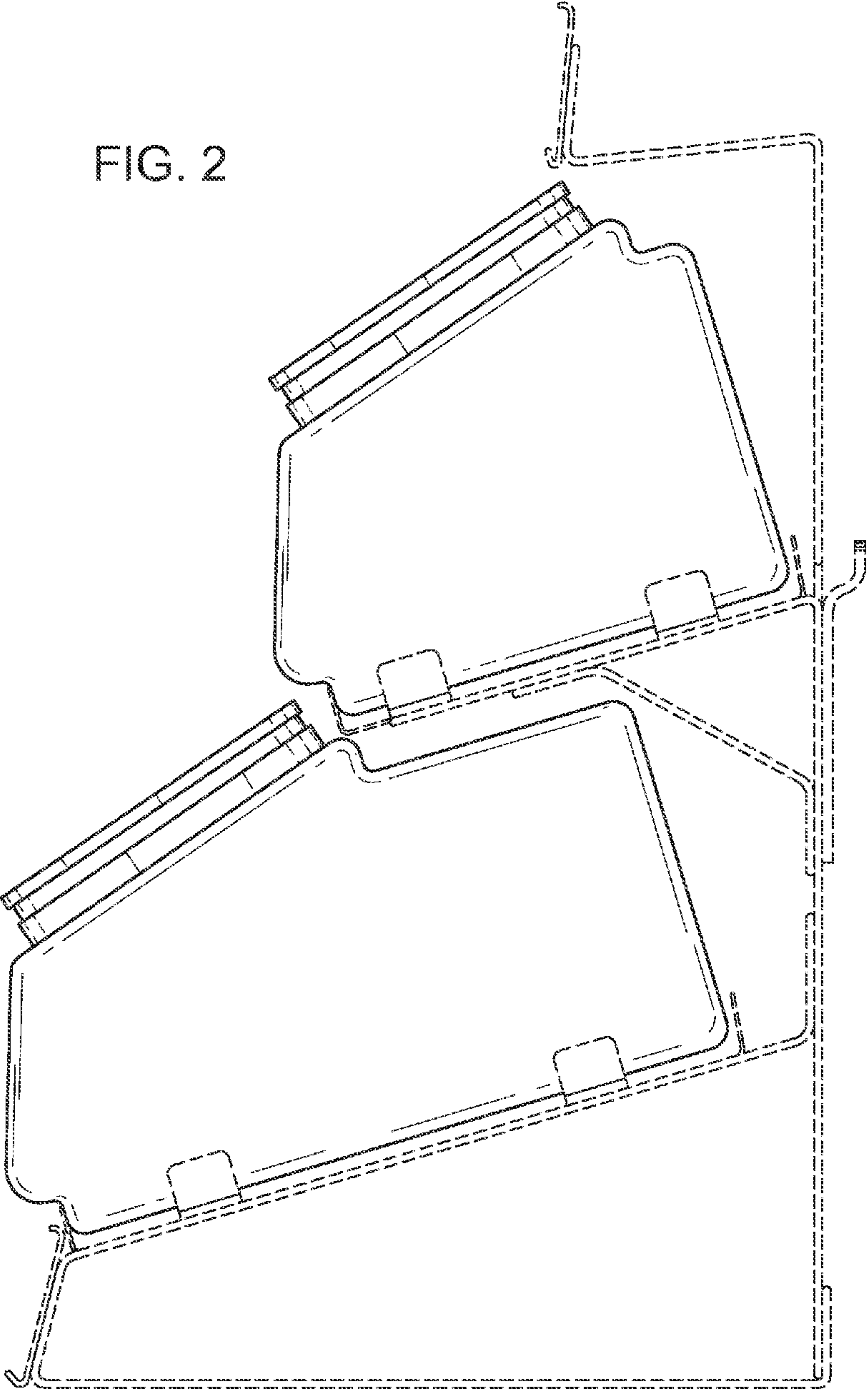


FIG. 1

FIG. 2



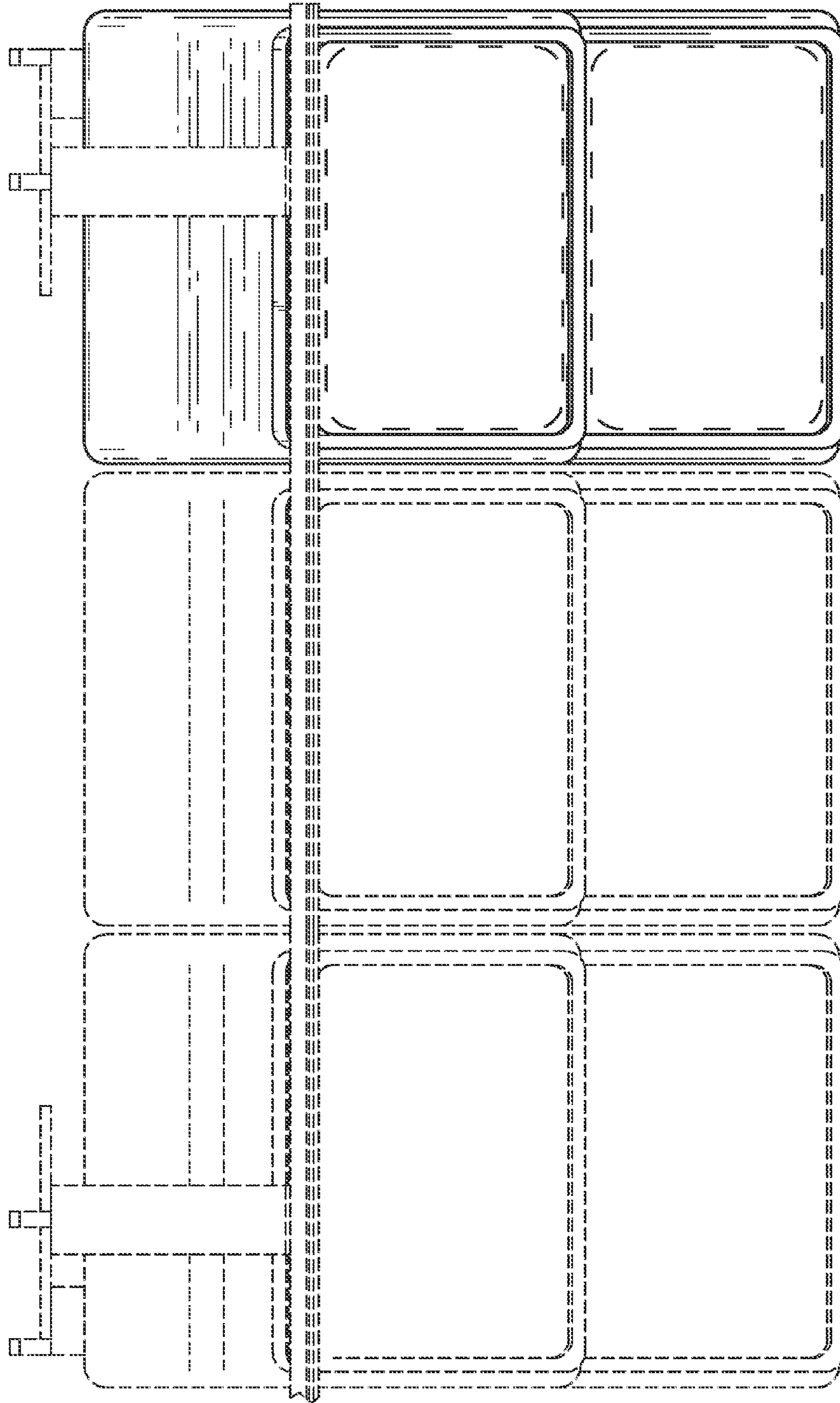


FIG. 3

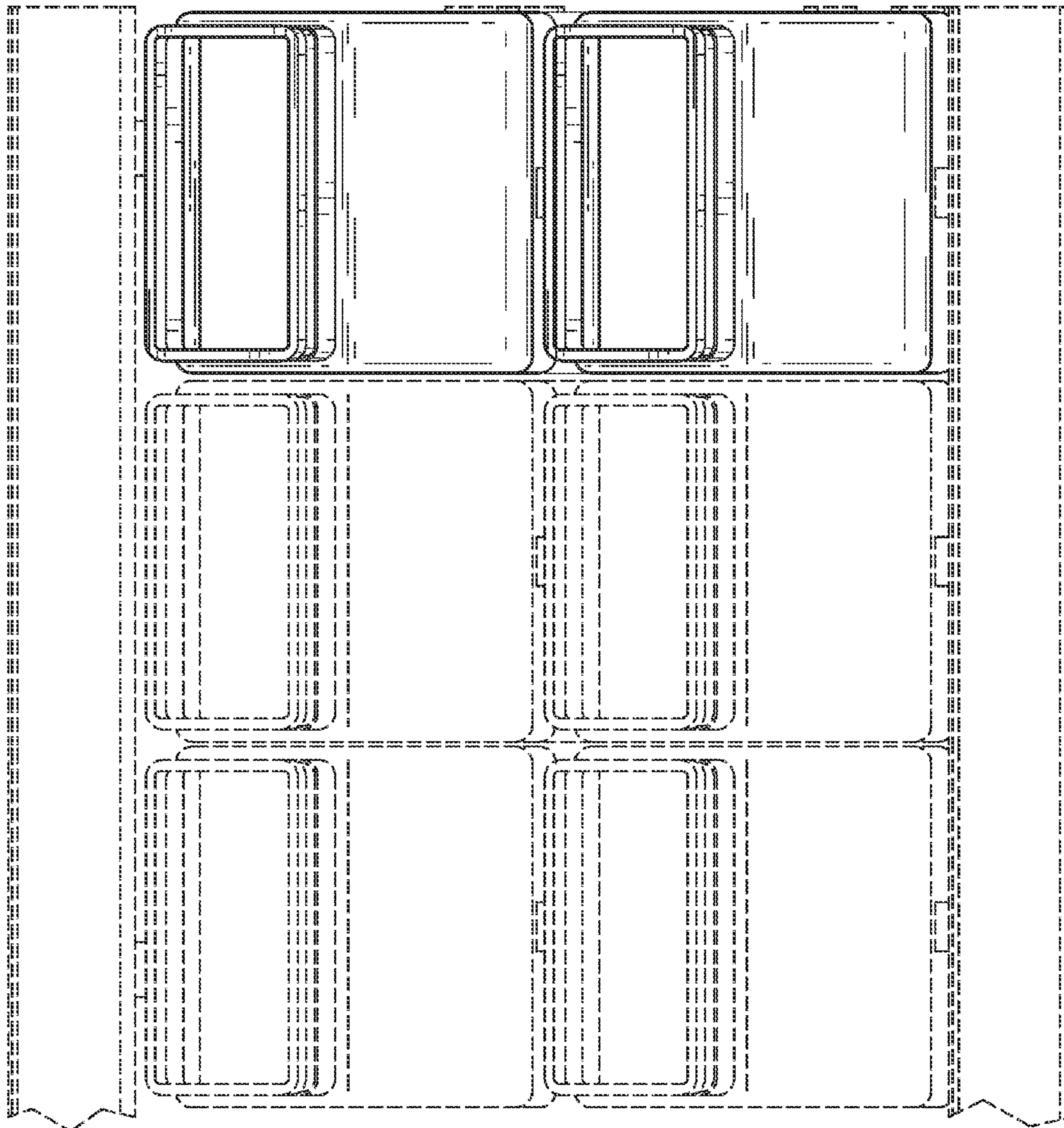
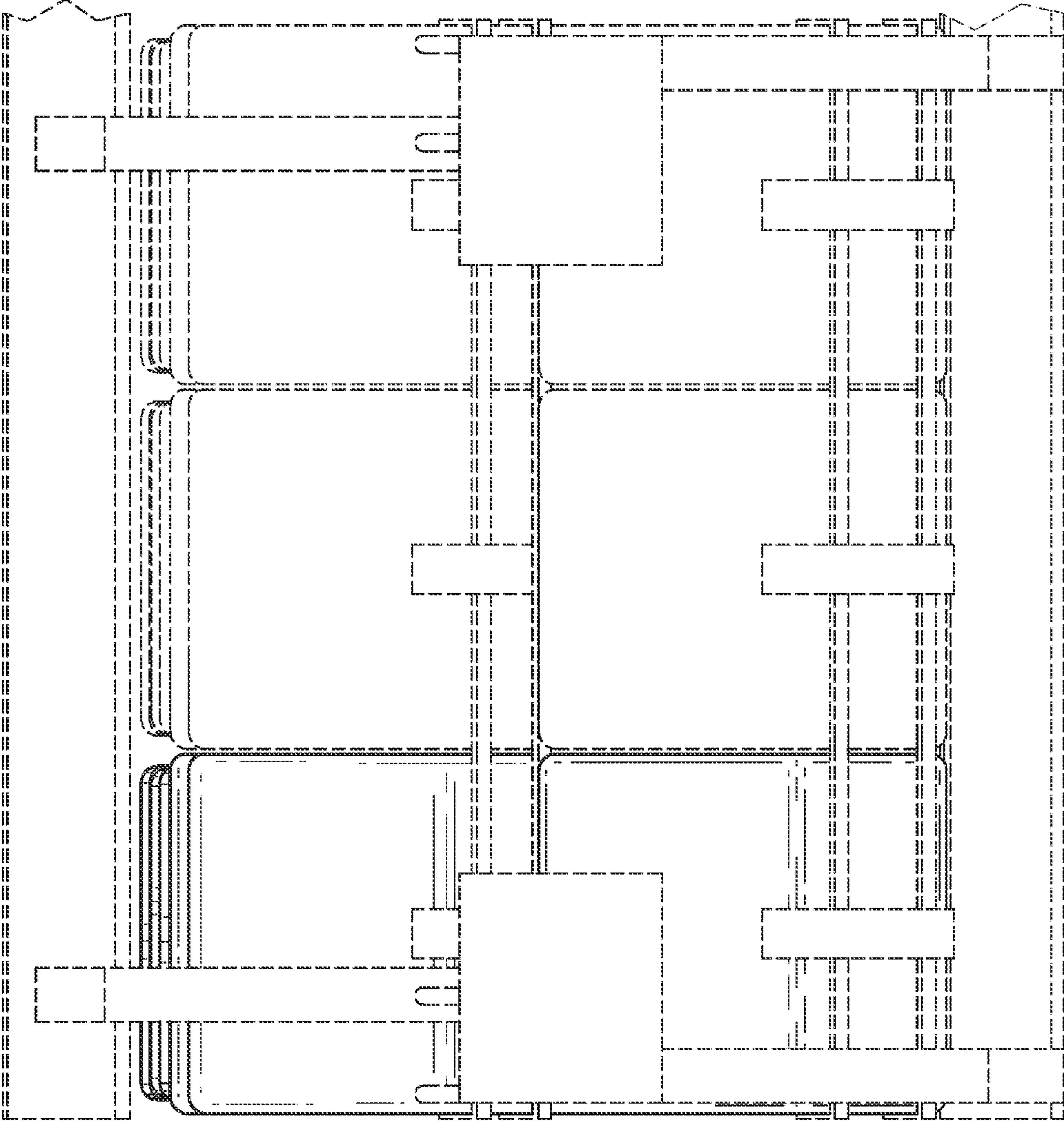


FIG. 4



FIG. 5



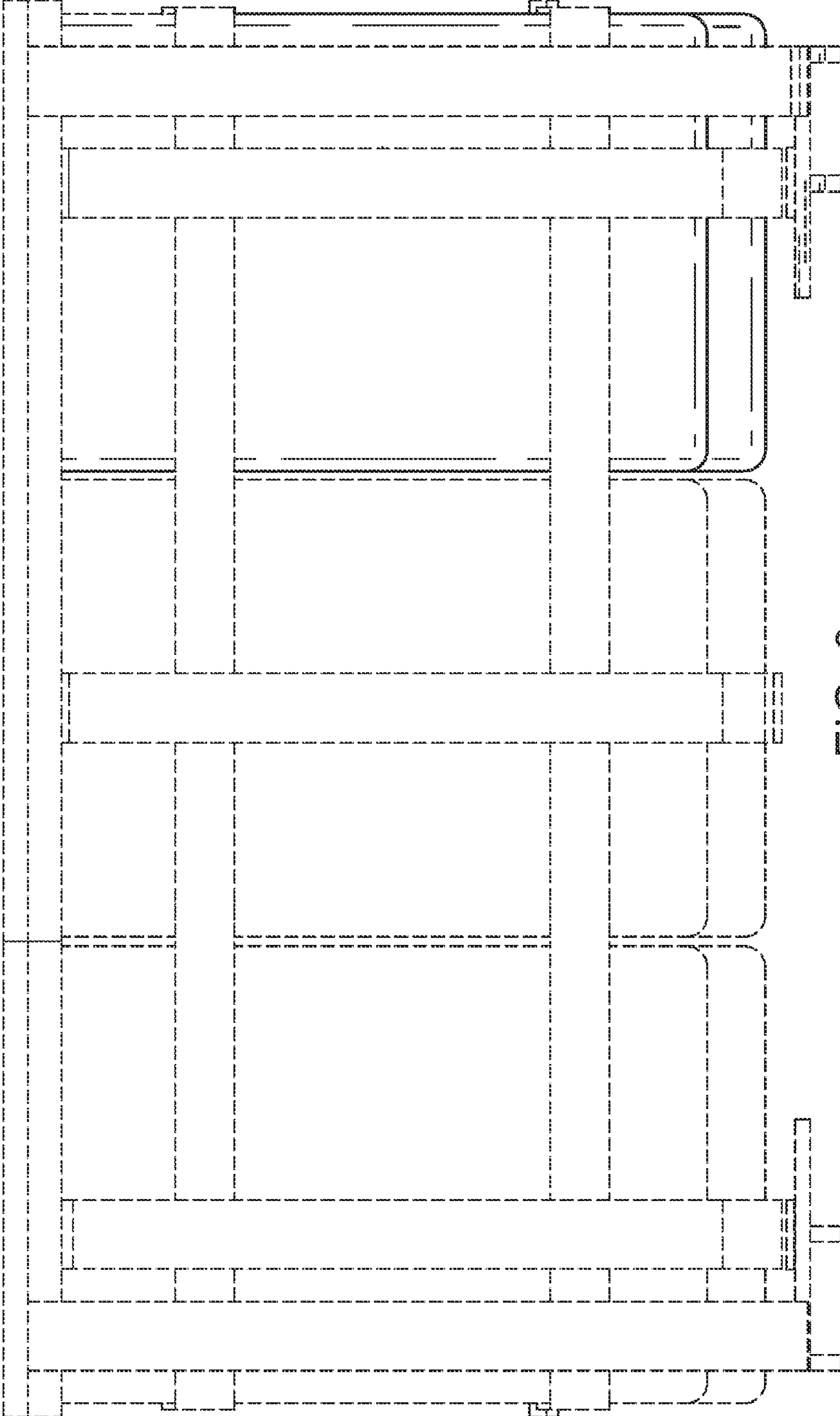


FIG. 6



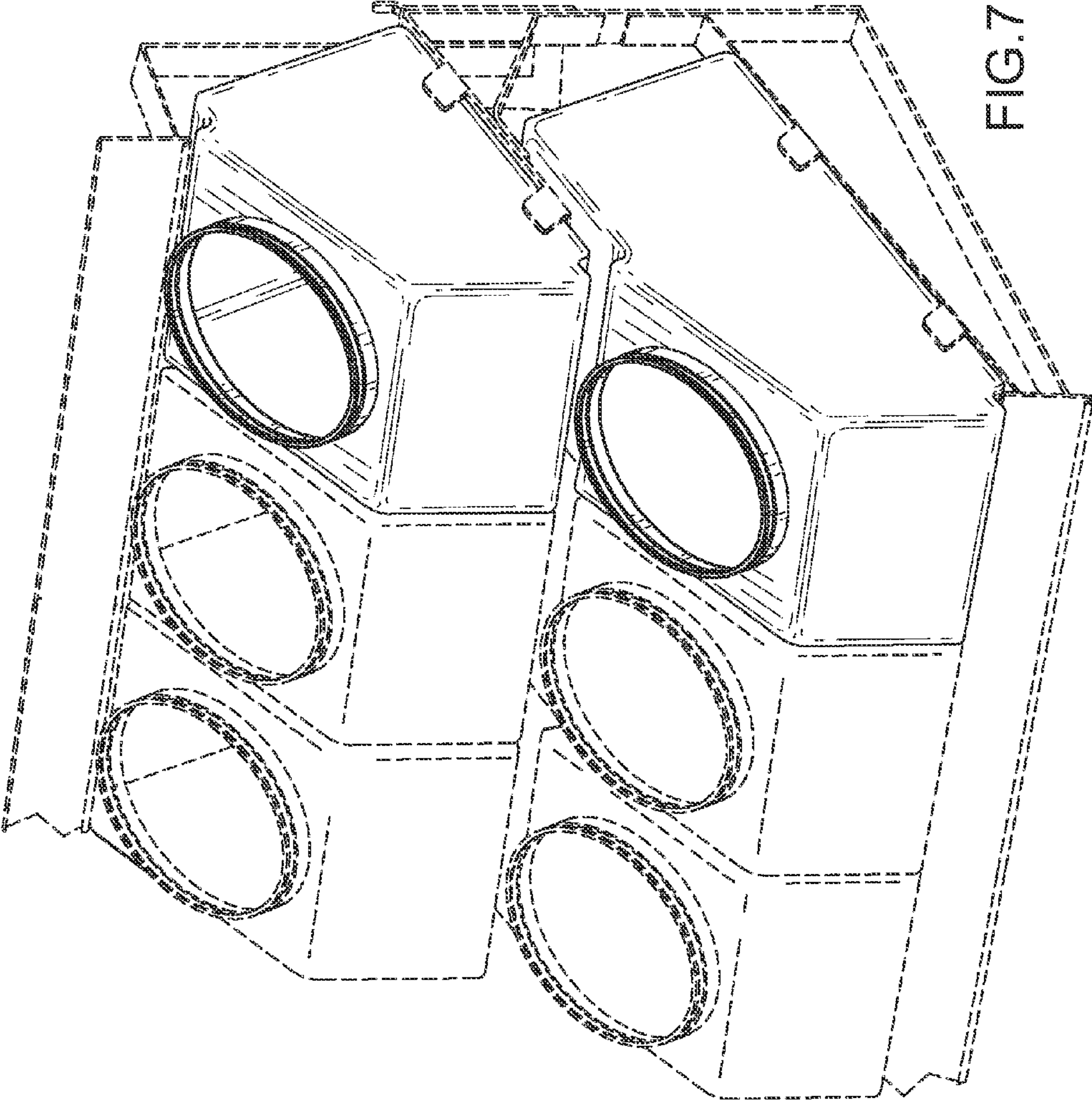
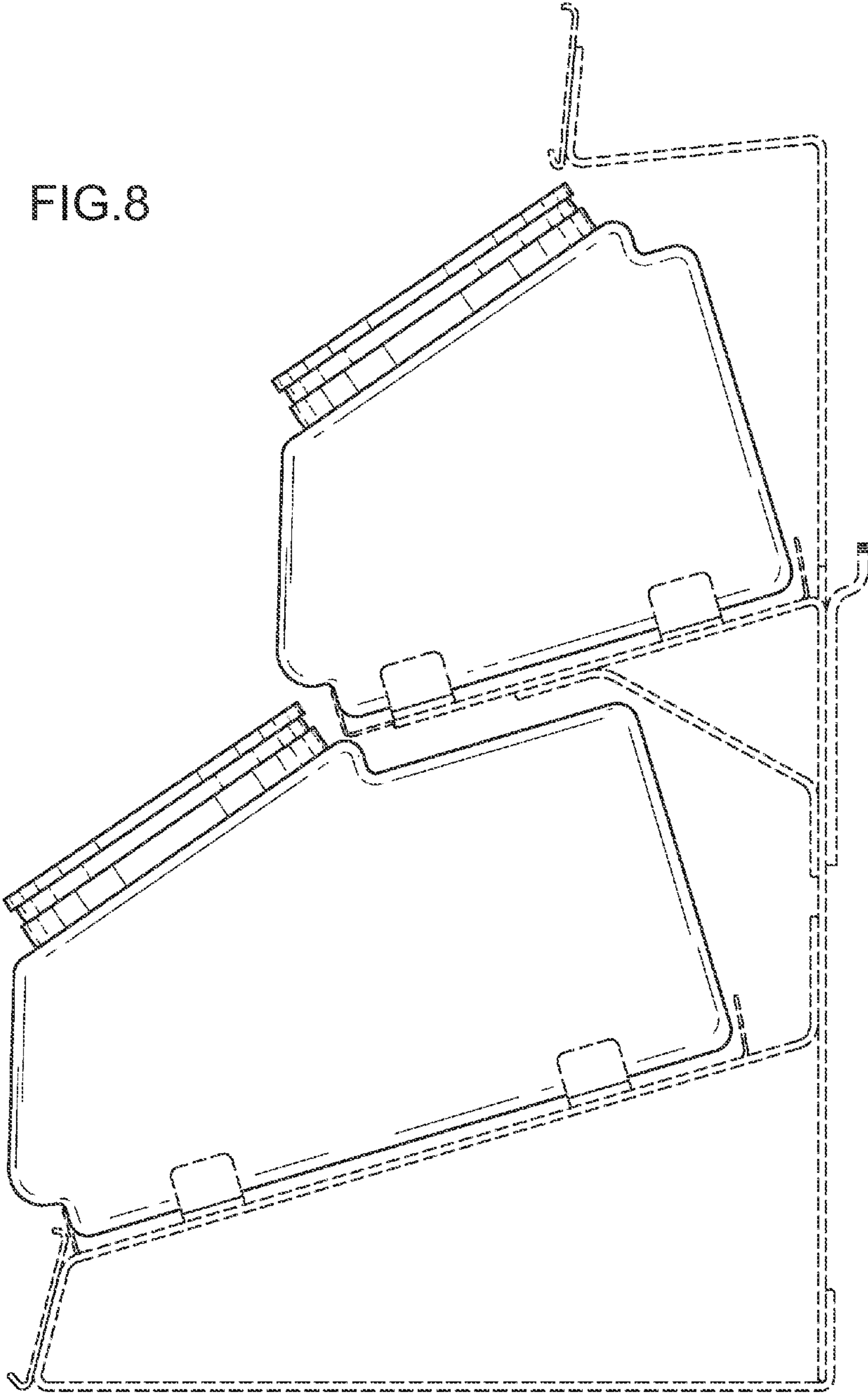


FIG. 7

FIG.8



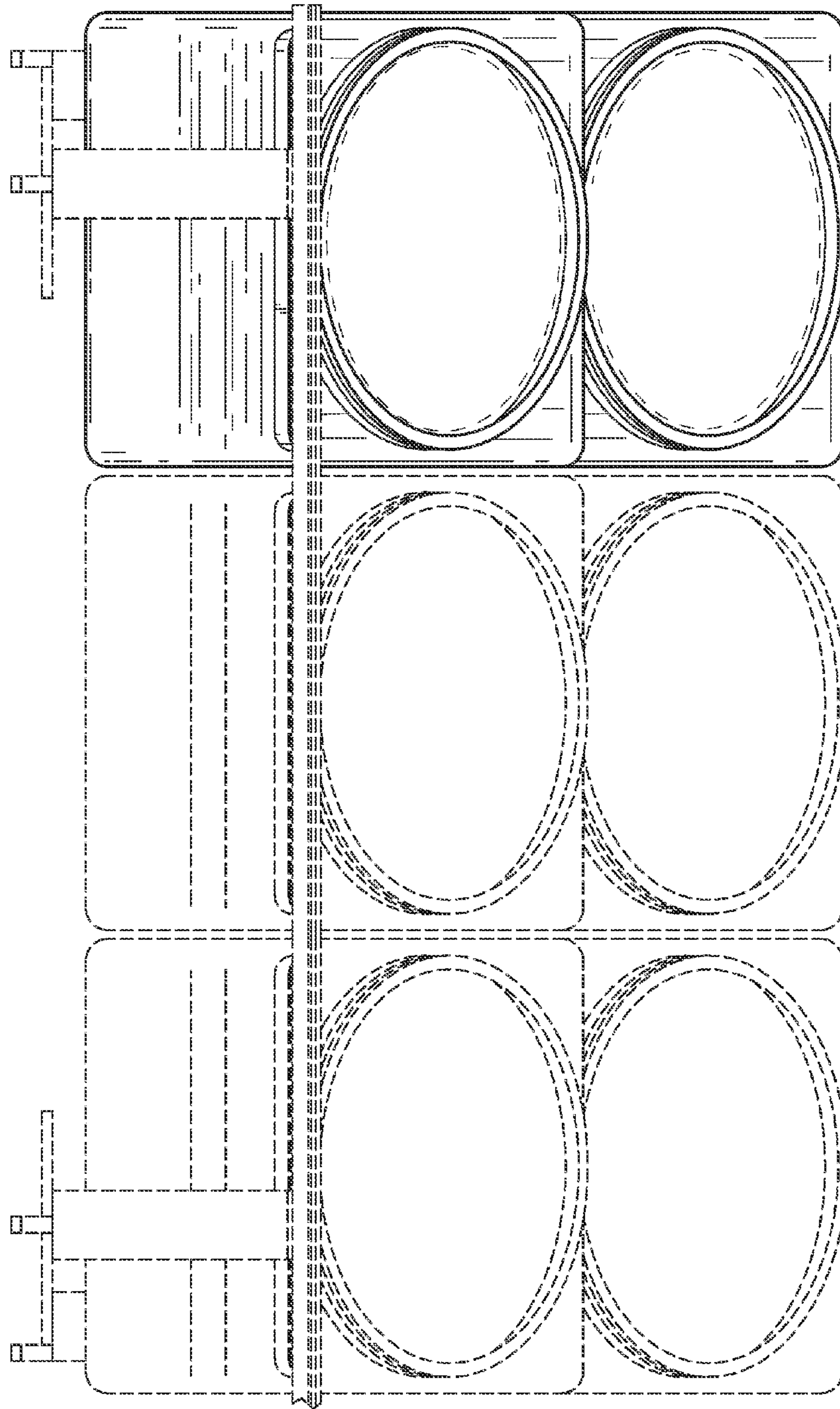


FIG.9



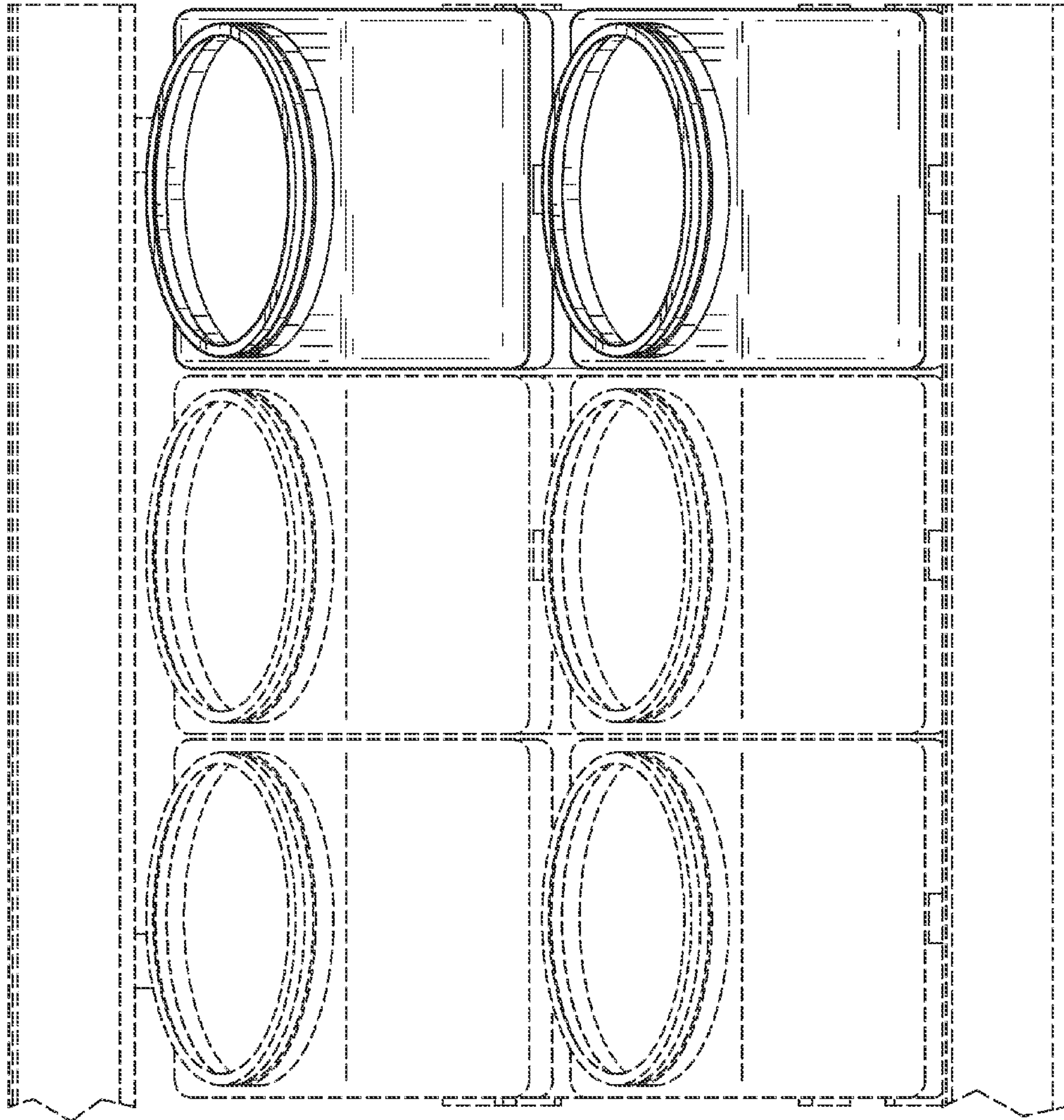


FIG.10

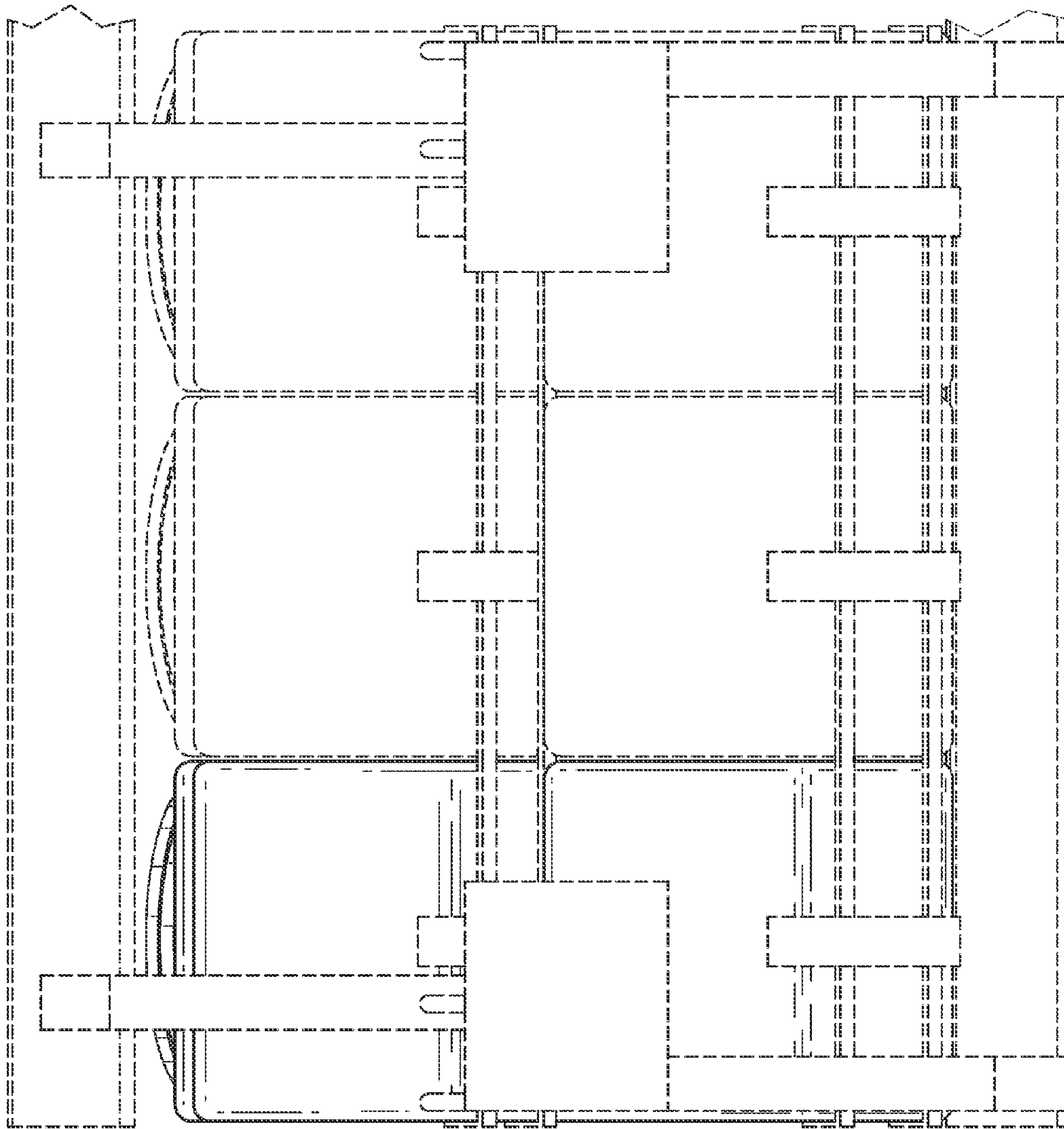


FIG.11

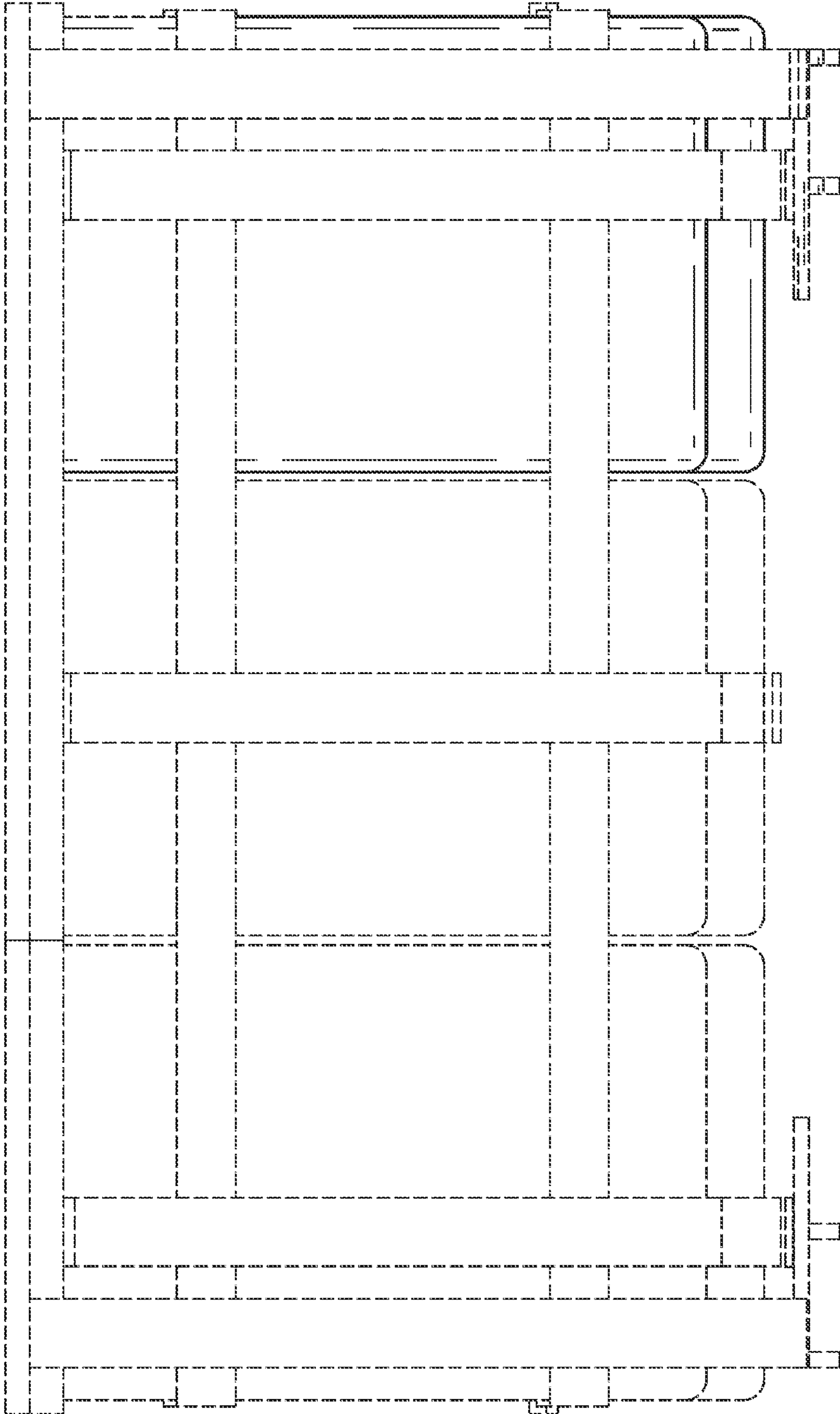


FIG.12