



US00D673368S

(12) **United States Design Patent**
Scott

(10) **Patent No.:** **US D673,368 S**
(45) **Date of Patent:** **** Jan. 1, 2013**

- (54) **BOX**
- (76) Inventor: **William Mitchell Scott**, Villa Hills, OH (US)
- (**) Term: **14 Years**
- (21) Appl. No.: **29/419,603**
- (22) Filed: **Apr. 30, 2012**

- 2,561,979 A 7/1951 George
- 2,604,255 A 7/1952 Welshenbach
- 2,629,499 A 2/1953 Welshenbach
- 2,645,353 A 7/1953 Anderson, Jr.
- 3,002,650 A 10/1961 Lovell
- 3,049,279 A 8/1962 Mairs et al.
- 3,107,041 A 10/1963 Wagner, Jr.
- 3,138,283 A 6/1964 Peebles
- 3,186,586 A 6/1965 Box
- 3,195,798 A 7/1965 Wilson

(Continued)

Related U.S. Application Data

- (63) Continuation-in-part of application No. 13/441,434, filed on Apr. 6, 2012.
 - (51) **LOC (9) Cl.** **03-01**
 - (52) **U.S. Cl.** **D3/304**
 - (58) **Field of Classification Search** D3/272-273, D3/242, 276, 304-305, 307-315; D19/75-76, D19/86, 90-91, 99-100; 229/100, 117.13, 229/117.16, 120.02, 120.24, 120.29; 220/500, 220/528-529; D34/1; 312/183-184, 107; 211/45-46, 10-11, 126.13
- See application file for complete search history.

FOREIGN PATENT DOCUMENTS

WO WO 99/25621 5/1999

OTHER PUBLICATIONS

U.S. Appl. No. 29/419,507, filed Apr. 28, 2012, William Mitchell Scott, Carrying Tote.

(Continued)

Primary Examiner — Kelley Donnelly
(74) *Attorney, Agent, or Firm* — Hasse & Nesbitt LLC; Donald E. Hasse; Daniel F. Nesbitt

- (57) **CLAIM**
The ornamental design for a box, as shown and described.

(56) **References Cited**

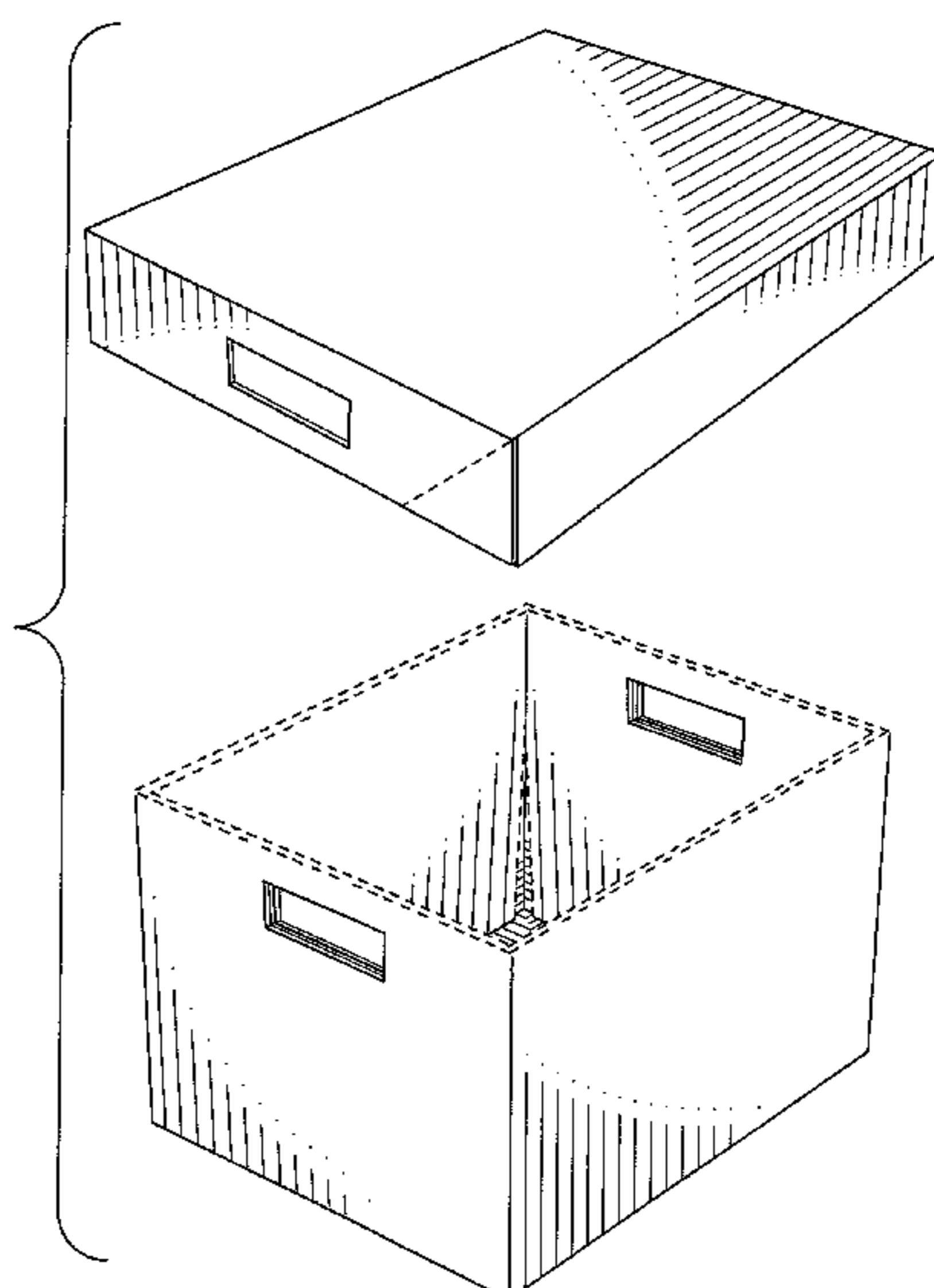
U.S. PATENT DOCUMENTS

- 1,457,770 A 6/1923 Dodge
- 1,623,547 A 4/1927 Neumann
- 1,897,672 A 2/1933 Neumann
- 1,974,674 A 9/1934 Halladay et al.
- 2,054,355 A 9/1936 Anderson, Jr.
- 2,124,409 A 7/1938 Andrews
- 2,253,008 A 8/1941 Anderson, Jr.
- 2,289,619 A 7/1942 Anderson, Jr.
- 2,307,349 A 1/1943 Anderson, Jr.
- 2,307,350 A 1/1943 Anderson, Jr.
- 2,365,182 A 12/1944 Ferguson
- 2,418,963 A 4/1947 Anderson, Jr.
- 2,460,230 A 1/1949 Makrianes
- 2,537,801 A 1/1951 Swatsick
- 2,559,552 A 7/1951 Welshenbach

DESCRIPTION

FIG. 1 is an exploded perspective view of a first embodiment of the new design;
FIG. 2 is a side view thereof;
FIG. 3 is a perspective view thereof;
FIG. 4 is a top view thereof;
FIG. 5 is an exploded perspective view of a second embodiment of the new design;
FIG. 6 is a side view thereof; and,
FIG. 7 is a perspective view thereof.
The broken lines shown in the drawings are for illustrative purposes only and form no part of the claimed design.

1 Claim, 7 Drawing Sheets



U.S. PATENT DOCUMENTS

3,282,462 A 11/1966 Box
 3,301,386 A 1/1967 Carter
 3,314,532 A 4/1967 Henry
 3,366,496 A 1/1968 Bomar et al.
 3,379,341 A 4/1968 Miles
 3,438,562 A 4/1969 Connor et al.
 3,667,666 A 6/1972 Pryor
 3,670,949 A 6/1972 Galanes
 3,684,159 A 8/1972 Wolfe
 3,692,231 A 9/1972 Neitzke et al.
 3,713,579 A 1/1973 Chaffers
 3,724,920 A 4/1973 Beck
 3,844,473 A 10/1974 Whelan
 D242,021 S 10/1976 Shanklin
 4,030,600 A 6/1977 Heaps
 4,101,052 A 7/1978 Dove
 4,172,522 A 10/1979 Muller et al.
 4,285,150 A 8/1981 Richardson et al.
 4,291,830 A 9/1981 Sorensen
 4,325,493 A 4/1982 Paige
 4,339,069 A * 7/1982 Poteet 229/117.17
 4,380,290 A 4/1983 Leubke
 2,822,973 A 2/1985 Armstrong et al.
 4,617,702 A 10/1986 Diederich, Jr.
 4,768,704 A 9/1988 Beckway et al.
 4,817,861 A 4/1989 Henrikson
 4,927,074 A 5/1990 LaRue et al.
 4,961,497 A 10/1990 Sherer et al.
 D312,531 S 12/1990 Sherer et al.
 D315,098 S * 3/1991 Hutcheson D3/302
 5,042,657 A 8/1991 Dunn
 D326,341 S 5/1992 Frauhiger
 D348,390 S 7/1994 Van Ness
 5,429,295 A 7/1995 Levy
 D361,892 S 9/1995 Quaintance
 5,494,161 A * 2/1996 Herbst 206/425
 D372,673 S * 8/1996 Turner D3/302
 D391,079 S 2/1998 Conti et al.
 D394,950 S 6/1998 Kite
 5,779,129 A 7/1998 Herbst et al.
 D398,228 S 9/1998 Herbst et al.
 D398,230 S 9/1998 Herbst et al.
 5,908,152 A 6/1999 Tullis
 D421,183 S 2/2000 Koskinen
 D422,499 S 4/2000 Herbst et al.
 D423,587 S 4/2000 Conley et al.
 D424,117 S * 5/2000 Steinbeck et al. D19/75
 D425,128 S 5/2000 Conley et al.
 D425,562 S 5/2000 Conley et al.
 6,059,180 A 5/2000 Collins
 6,123,254 A 9/2000 Dupuis
 6,149,052 A 11/2000 Mueller
 D442,780 S * 5/2001 Hiernard D3/294
 D448,567 S 10/2001 Buss

D453,275 S 2/2002 Stravitz
 6,352,157 B1 * 3/2002 Srinivasan 206/425
 D461,120 S 8/2002 Ostro
 D477,217 S * 7/2003 Riedi D9/418
 6,705,515 B2 3/2004 Dowd
 D494,759 S 8/2004 Louie et al.
 D495,490 S 9/2004 Garrett et al.
 D507,404 S 7/2005 Moon et al.
 D518,526 S 4/2006 Benn
 D518,708 S * 4/2006 Ohayon D3/298
 D526,893 S 8/2006 Nixon
 D539,036 S 3/2007 Potts et al.
 D542,033 S 5/2007 Kopenhaver et al.
 D569,105 S 5/2008 Van Hoorn
 7,410,094 B2 8/2008 Bos
 7,438,198 B2 10/2008 Pickles
 7,611,020 B2 11/2009 Prest
 7,654,408 B2 2/2010 Bazany
 D615,775 S 5/2010 Fairbanks
 7,726,552 B2 6/2010 Chadima
 D627,562 S 11/2010 Osiecki et al.
 D633,296 S 3/2011 Potts et al.
 D657,562 S 4/2012 McNamara
 D658,407 S 5/2012 Pung et al.
 D661,096 S 6/2012 Dretzka
 2005/0241971 A1 11/2005 Zou et al.
 2005/0284906 A1 12/2005 Potts et al.
 2008/0054059 A1 3/2008 Chadima
 2010/0314268 A1 12/2010 Goodman

OTHER PUBLICATIONS

U.S. Appl. No. 29/419,508, filed Apr. 28, 2012, William Mitchell Scott, Carrying Tote.
 U.S. Appl. No. 29/419,510, filed Apr. 28, 2012, William Mitchell Scott, Carrying Tote.
 U.S. Appl. No. 13/441,434, filed Apr. 6, 2012, William Mitchell Scott, Container With Grips.
 U.S. Appl. No. 29/391,489, filed May 9, 2011, William Mitchell Scott, Novel Box.
 U.S. Appl. No. 29/391,490, filed May 10, 2011, William Mitchell Scott, Novel Box & Private Label.
 U.S. Appl. No. 29/391,491, filed May 10, 2011, William Mitchell Scott, Novel Box With Angular Grips.
 U.S. Appl. No. 29/391,492, filed May 10, 2011, William Mitchell Scott, Novel Box for Under Desk.
 U.S. Appl. No. 29/419,400, filed Apr. 27, 2012, William Mitchell Scott, Box With Locking Ports.
 U.S. Appl. No. 13/448,349, filed Apr. 16, 2012, William Mitchell Scott, Strengthening Insert for a Corrugated Box.
 U.S. Appl. No. 29/419,603, filed Apr. 30, 2012, William Mitchell Scott, Box With Grips Through Lid.

* cited by examiner

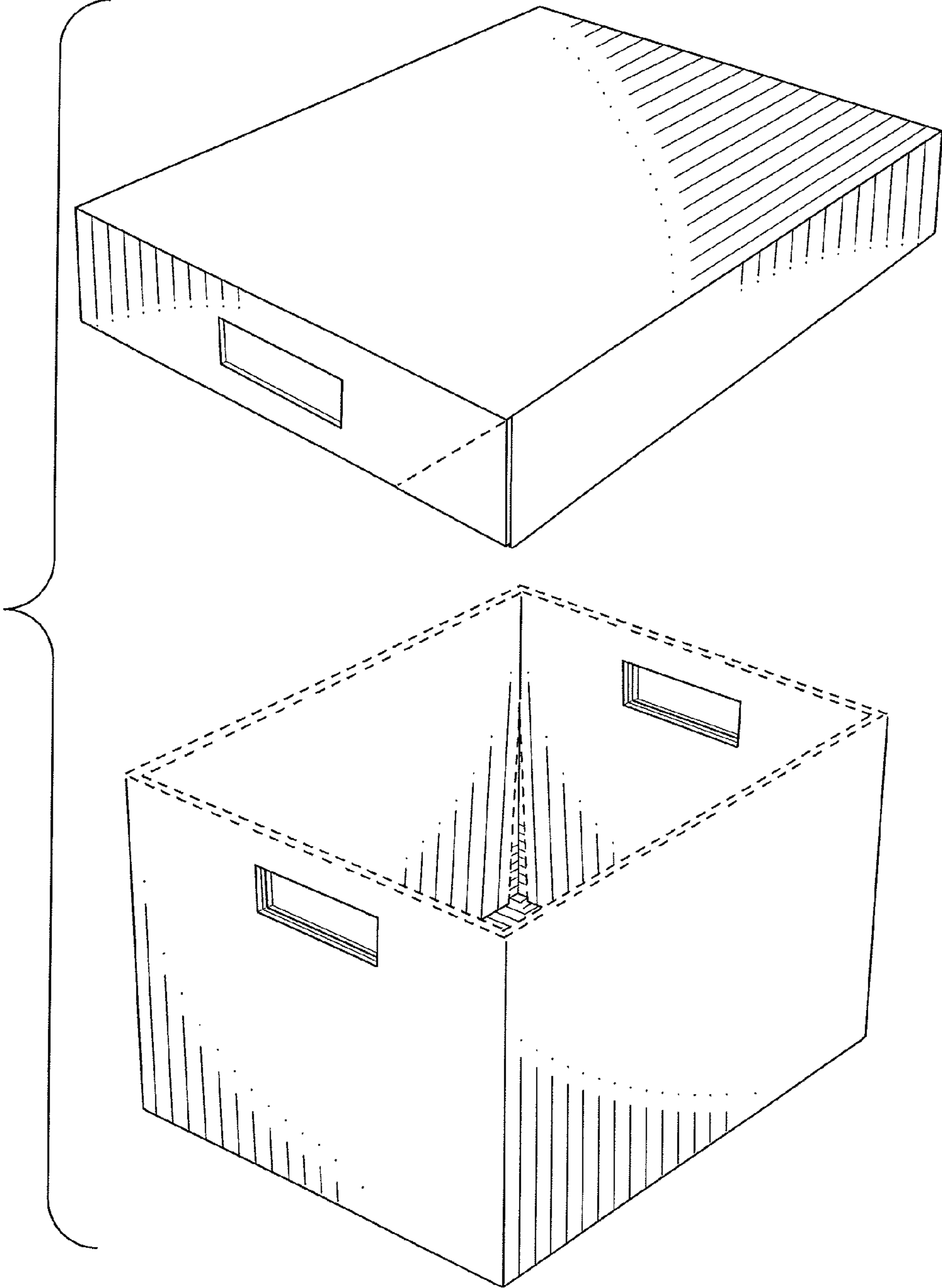


FIG. 1

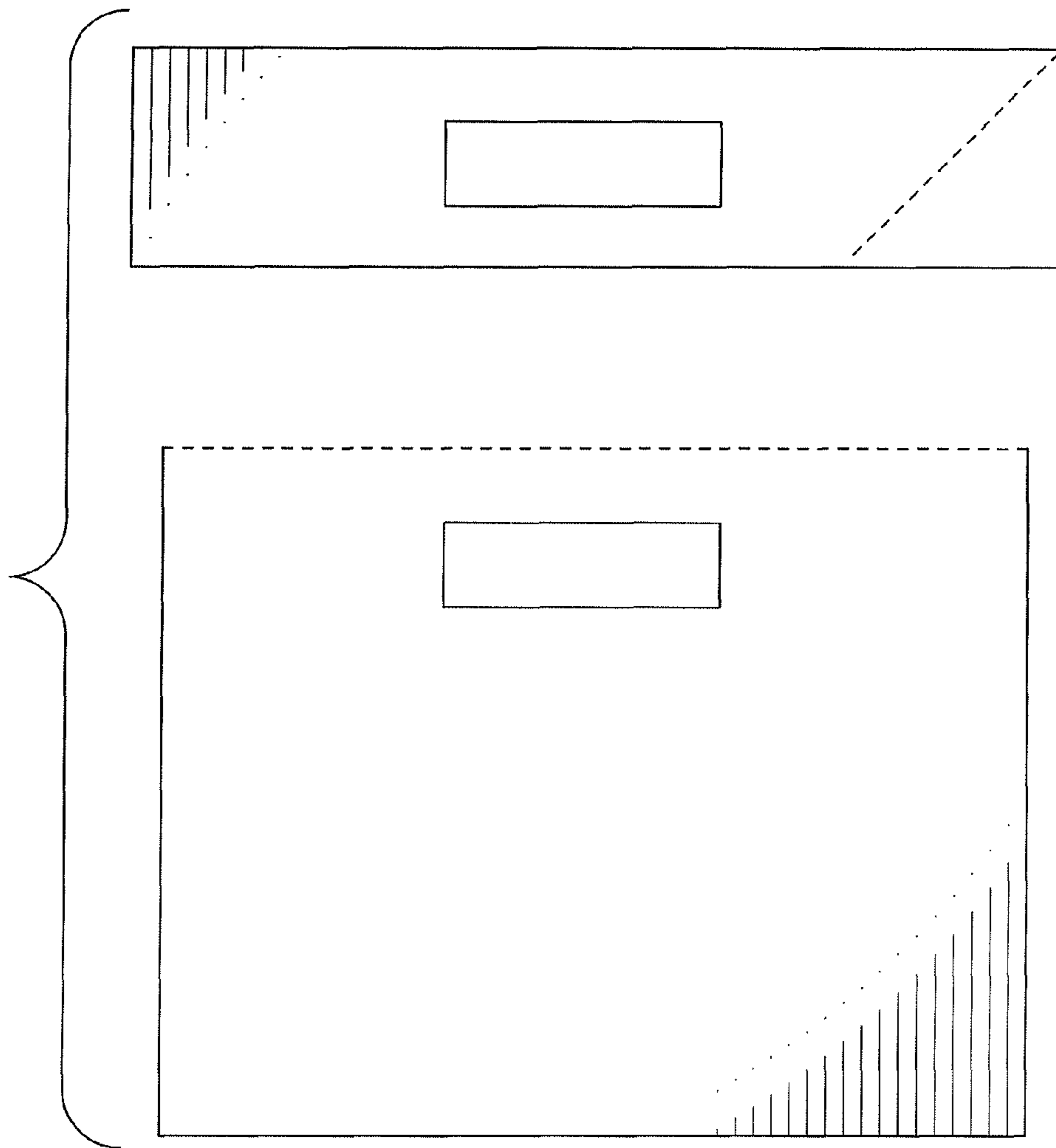


FIG. 2

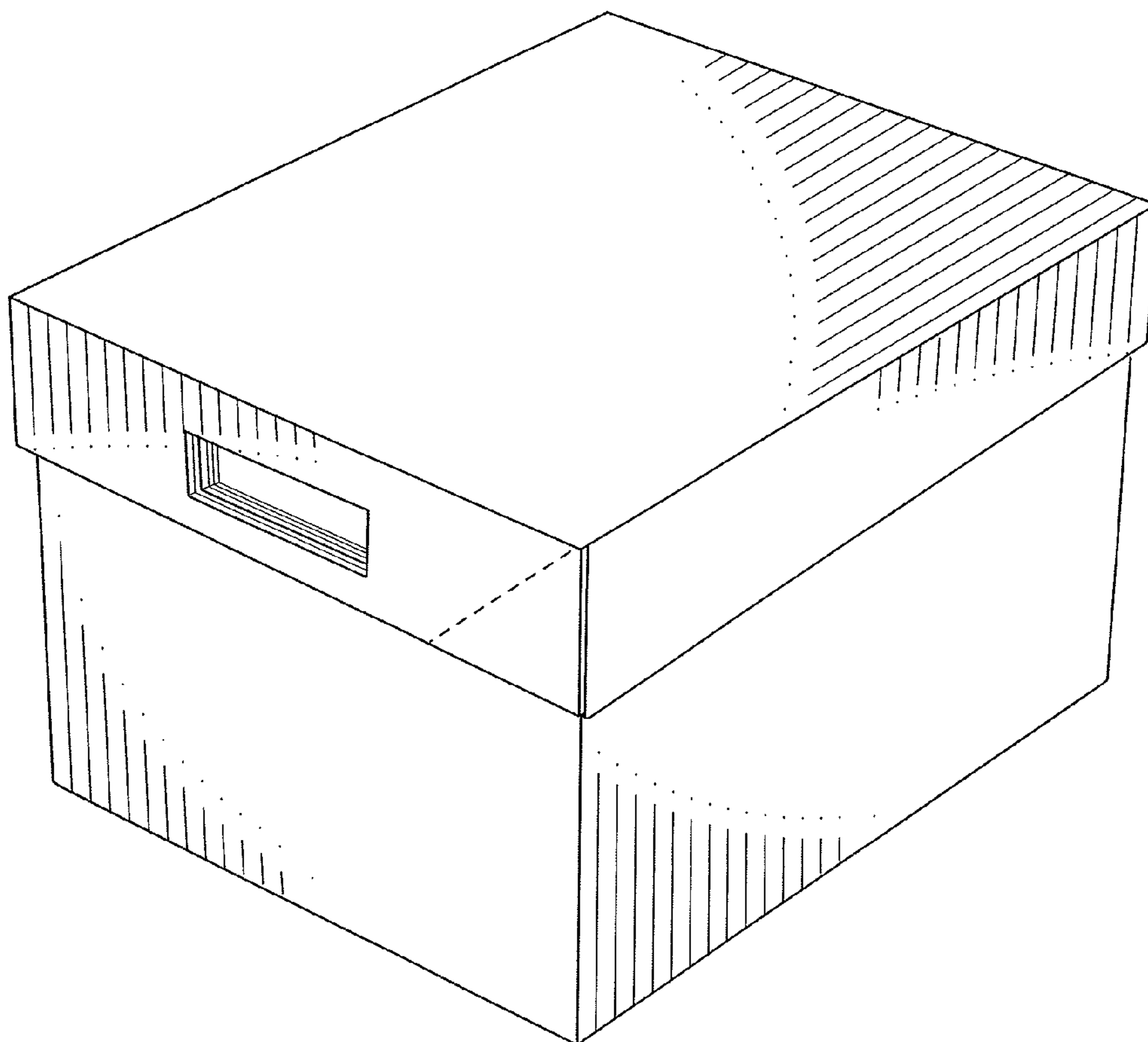


FIG. 3

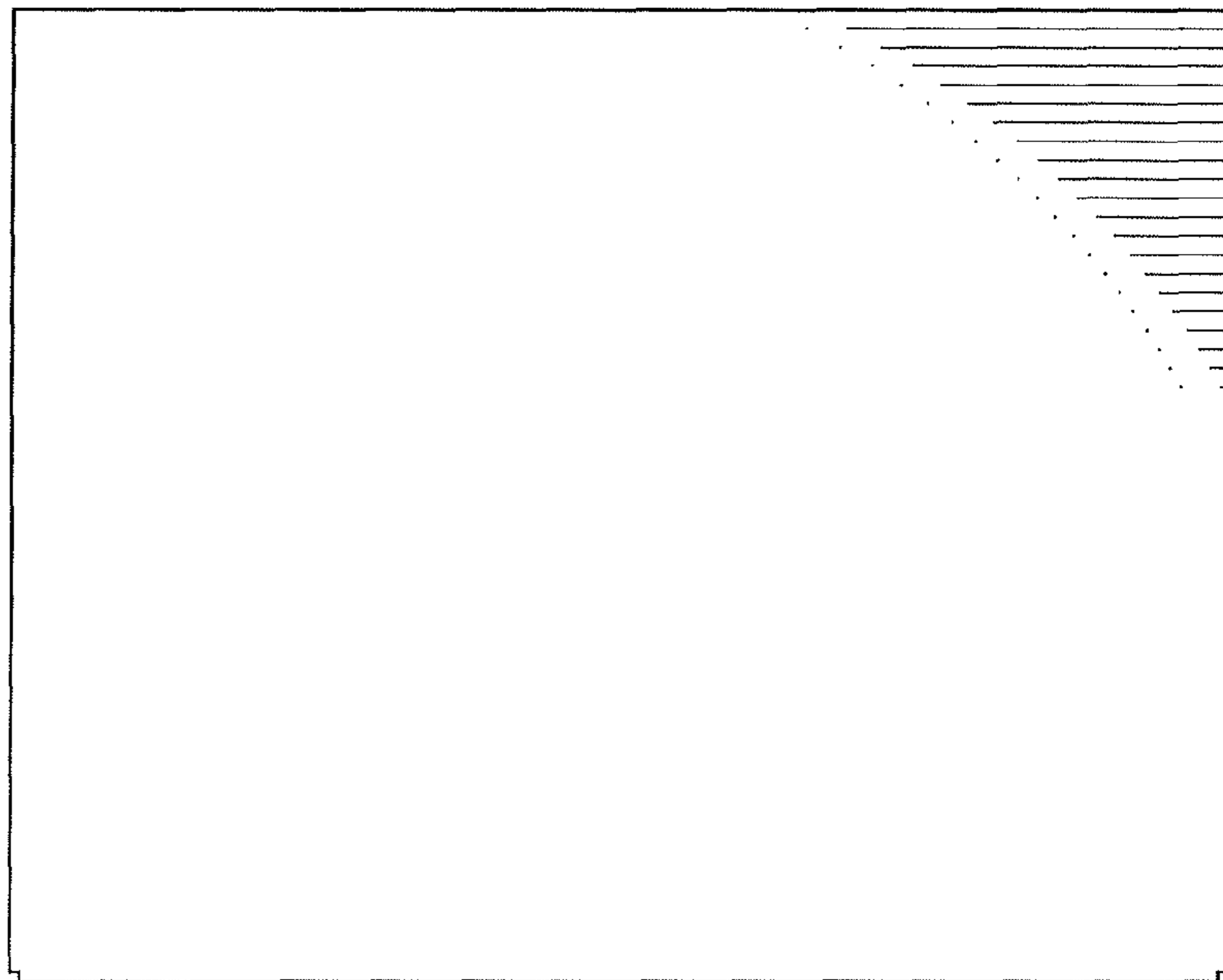


FIG. 4

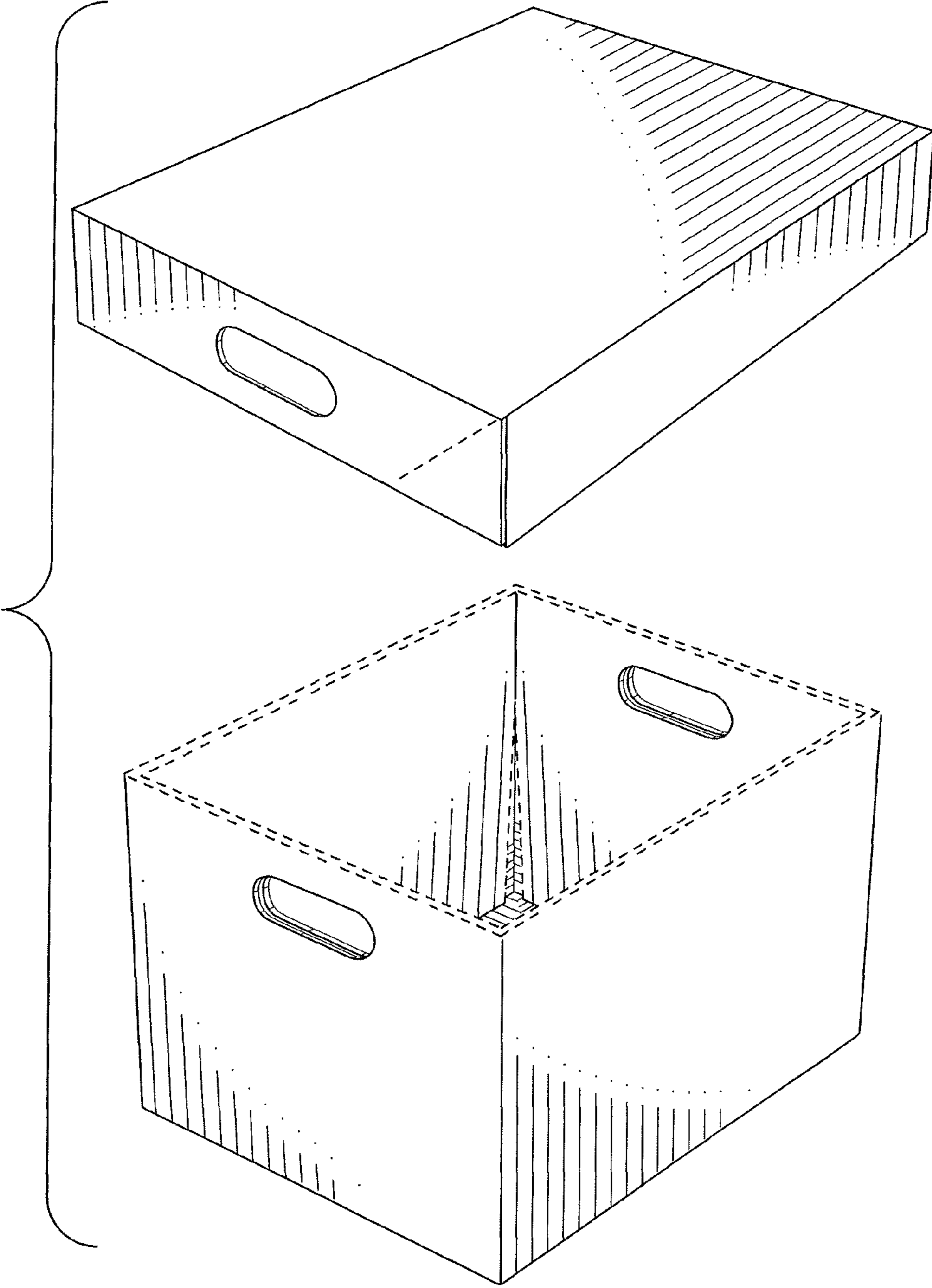


FIG. 5

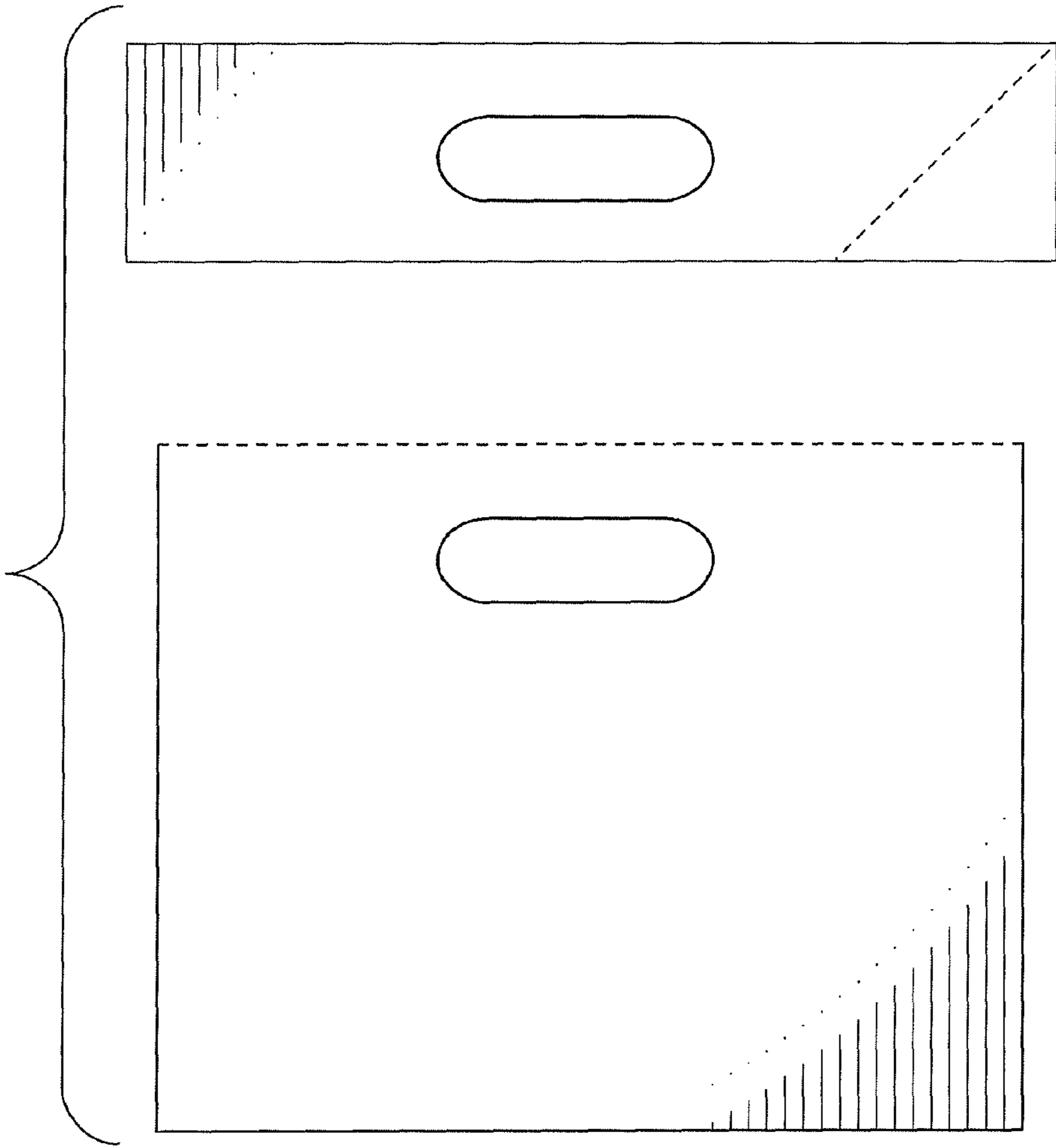


FIG. 6

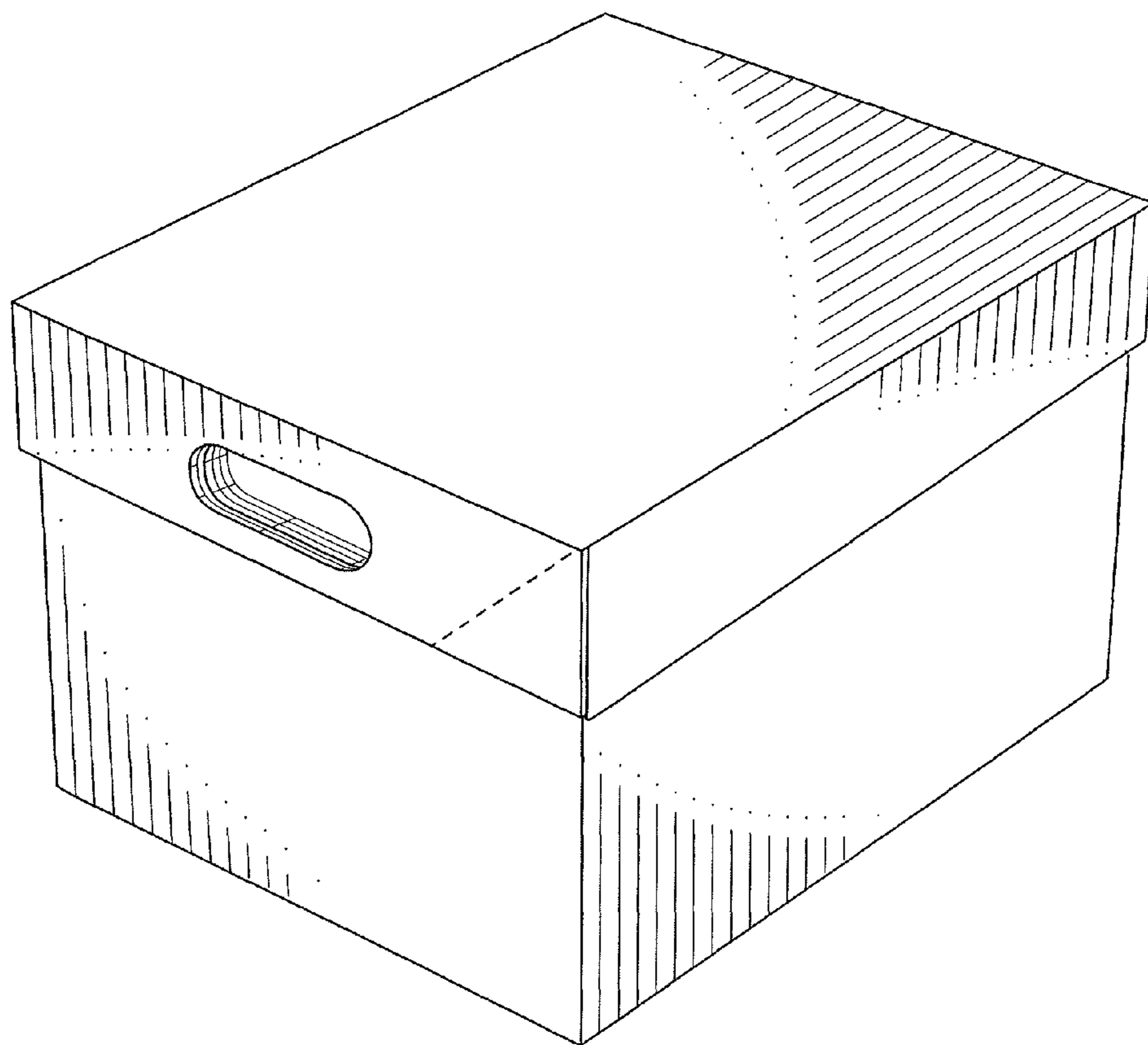


FIG. 7