



US00D673366S

(12) **United States Design Patent**
Schumann et al.

(10) **Patent No.:** **US D673,366 S**
(45) **Date of Patent:** **** Jan. 1, 2013**

(54) **TRAVEL DRYING CONTAINER**

D664,766 S * 8/2012 Prats D3/294

* cited by examiner

(75) Inventors: **Mike Schumann**, New York, NY (US);
Erica Eden, New York, NY (US);
Tucker Fort, Brooklyn, NY (US)

Primary Examiner — Sheryl Lane

(73) Assignee: **Helen of Troy Limited**, St. Michael
(BB)

(57) **CLAIM**

The ornamental design for a travel drying container, as shown, and described.

(**) Term: **14 Years**

DESCRIPTION

(21) Appl. No.: **29/409,660**

FIG. 1 is a perspective view of the travel drying container in the open position;

(22) Filed: **Dec. 27, 2011**

FIG. 2 is a top view of the travel drying container in the open position;

(51) **LOC (9) Cl.** **03-01**

FIG. 3 is a bottom view of the travel drying container in the open position;

(52) **U.S. Cl.** **D3/294**

FIG. 4 is a side view of the travel drying container in the open position;

(58) **Field of Classification Search** D3/293–295,
D3/273, 302, 905, 276, 283, 201; 206/349,
206/372; D7/629; D30/133; D9/420; 220/523,
220/4.21, 4.22

FIG. 5 is a front view of the travel drying container in the open position;

See application file for complete search history.

FIG. 6 is a perspective view of the travel drying container in the closed position;

(56) **References Cited**

FIG. 7 is a top view of the travel drying container in the closed position;

U.S. PATENT DOCUMENTS

D529,288 S *	10/2006	Ham	D3/294
D539,539 S *	4/2007	Braden	D14/203.7
D561,471 S *	2/2008	Nakamura	D3/294
7,458,470 B2 *	12/2008	Jerstroem et al.	211/41.4
D592,399 S *	5/2009	Sage	D3/295
7,669,721 B2 *	3/2010	Kemper et al.	211/41.3
D629,608 S *	12/2010	Hong	D3/294
D631,251 S *	1/2011	Hong	D3/294
D636,182 S *	4/2011	Yang	D3/294
D661,897 S *	6/2012	Kohler et al.	D3/294

FIG. 8 is a bottom view of the travel drying container in the closed position;

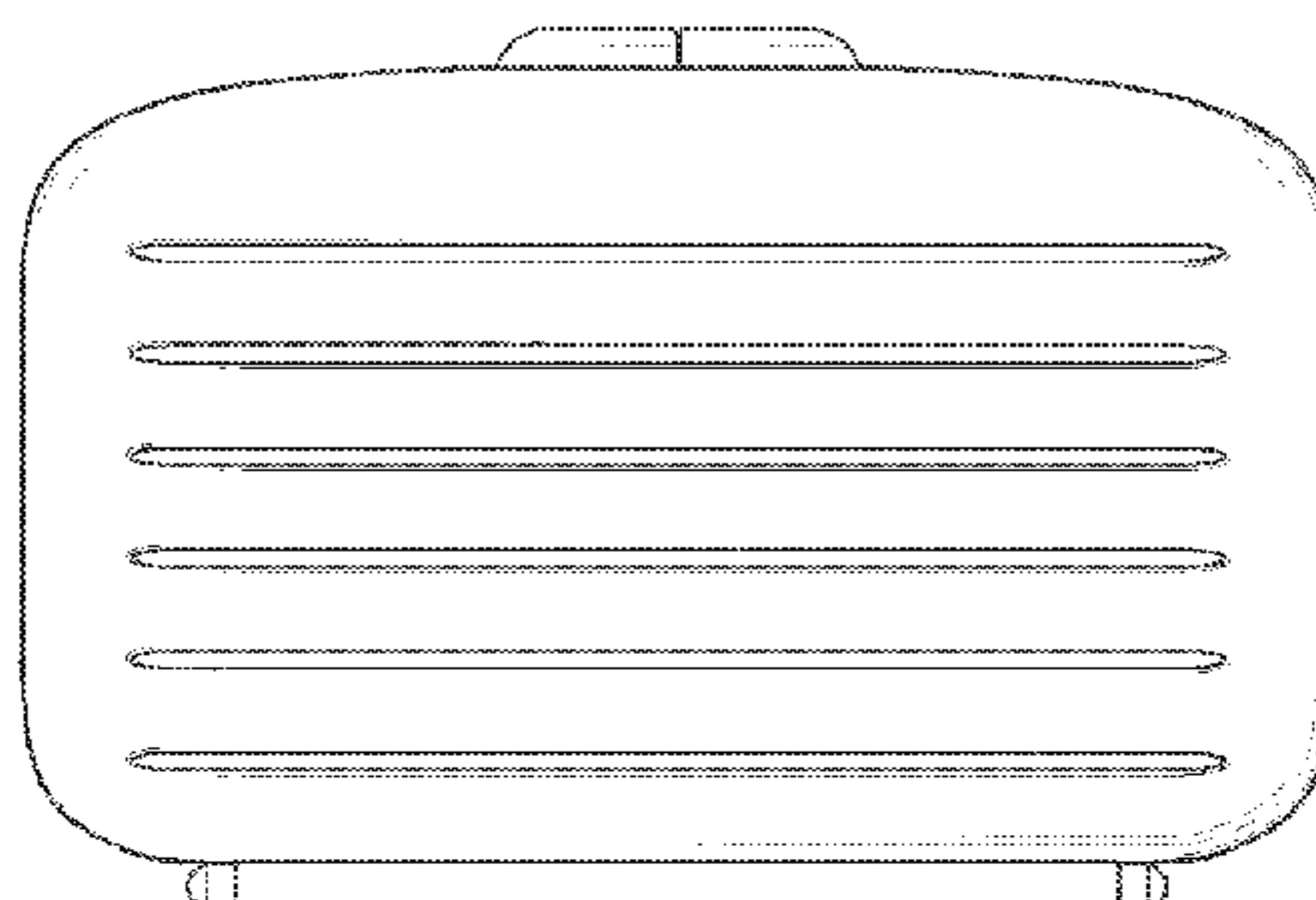
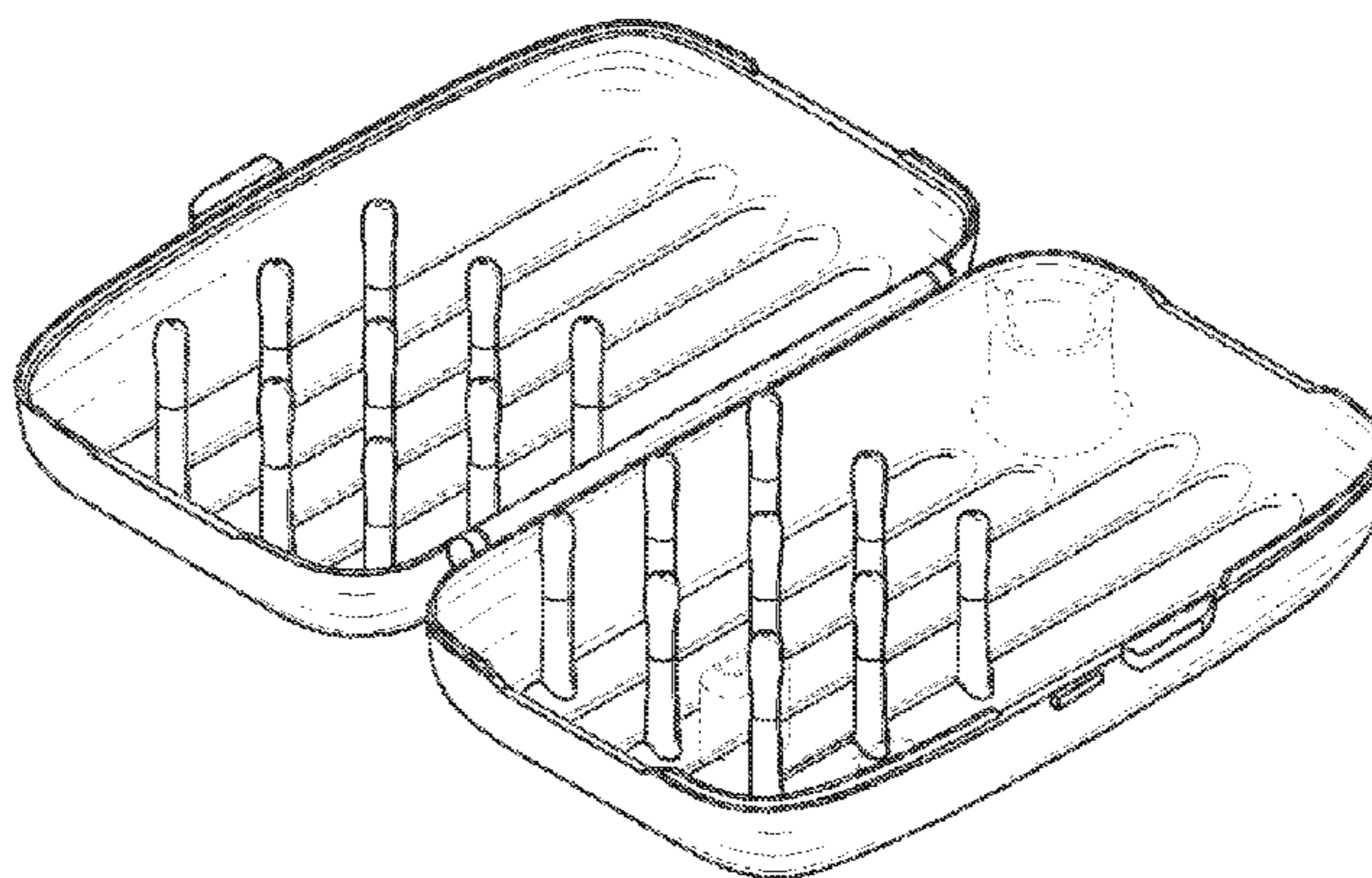
FIG. 9 is a side view of the travel drying container in the closed position;

FIG. 10 is a front view of the travel drying container in the closed position; and,

FIG. 11 is a rear view of the travel drying container in the closed position.

The broken line showing of the container from no part of the claimed design.

1 Claim, 11 Drawing Sheets



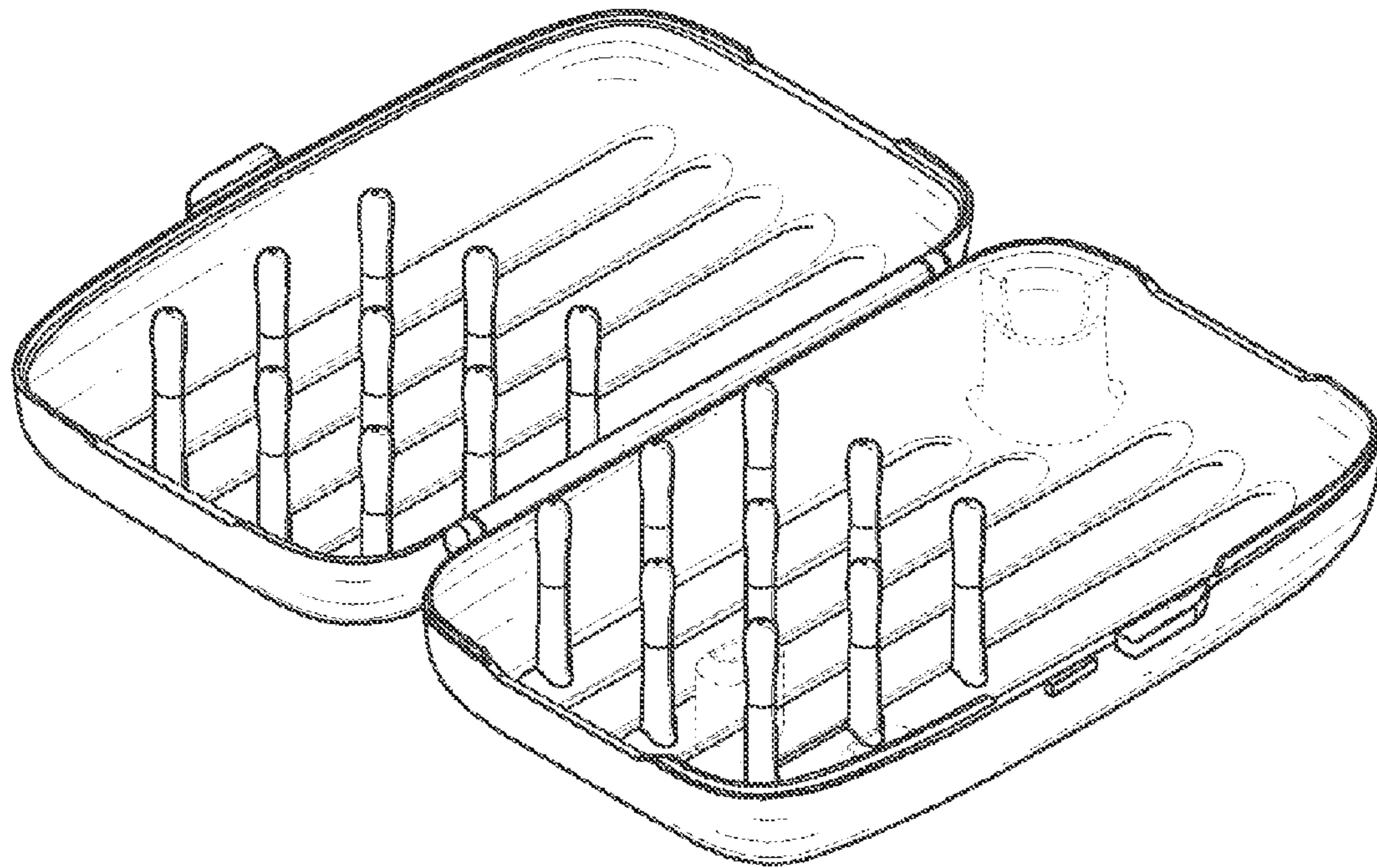


Figure 1

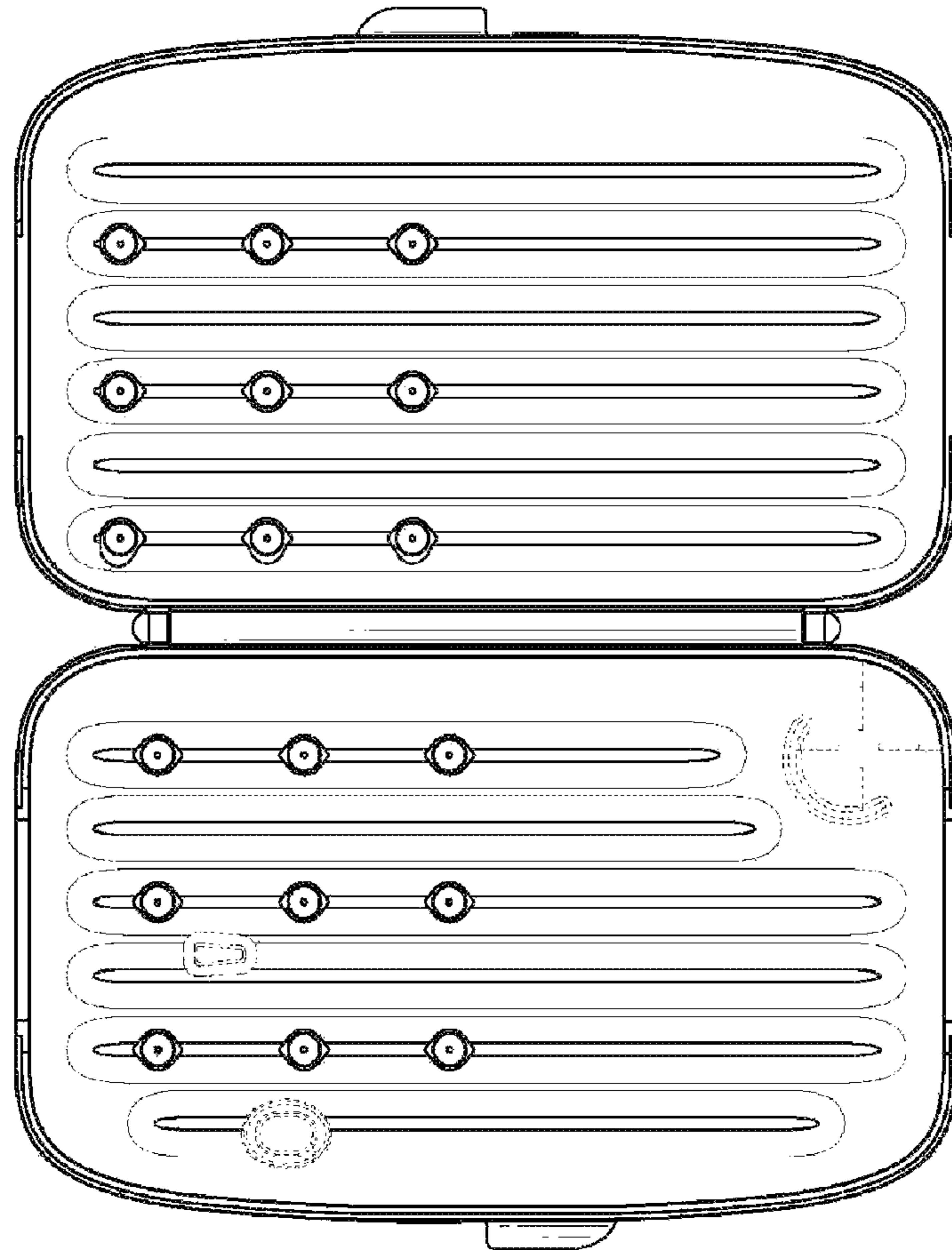


Figure 2

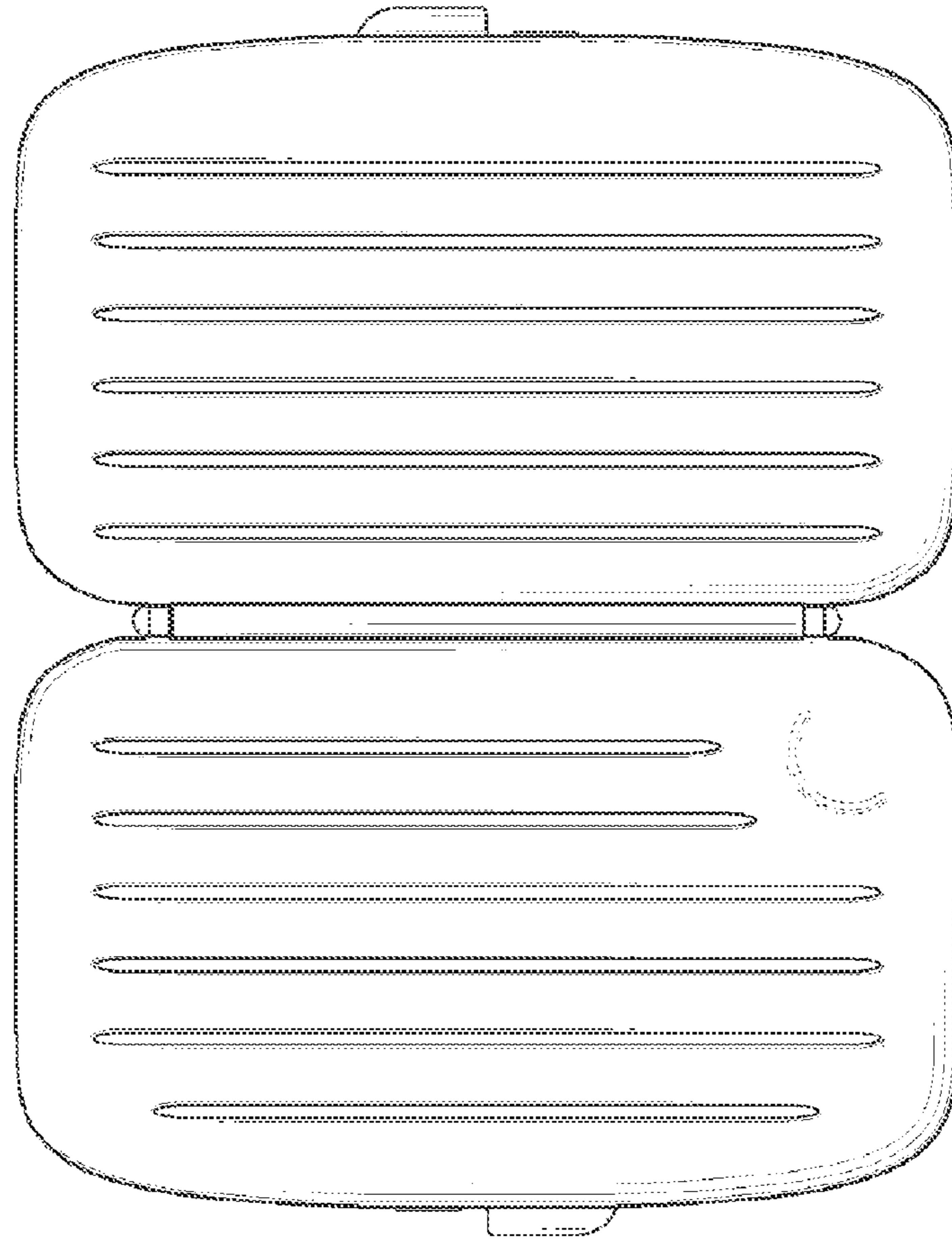


Figure 3

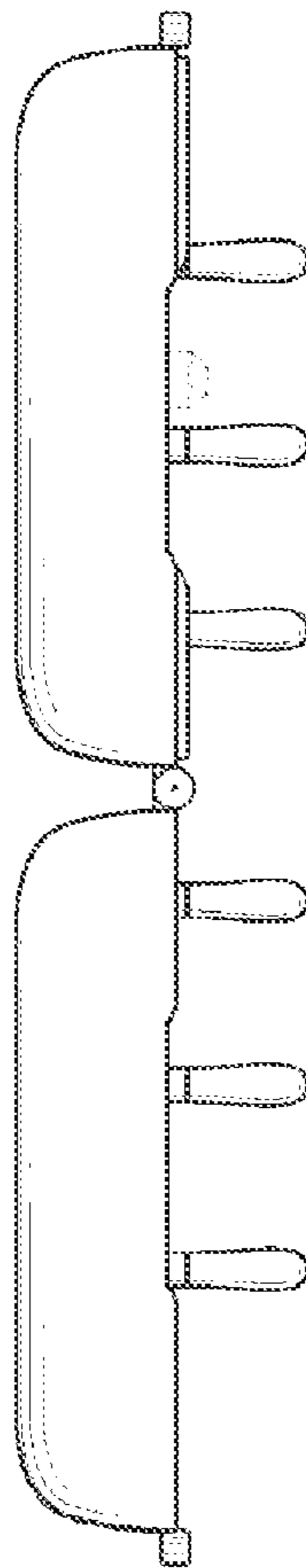


Figure 4

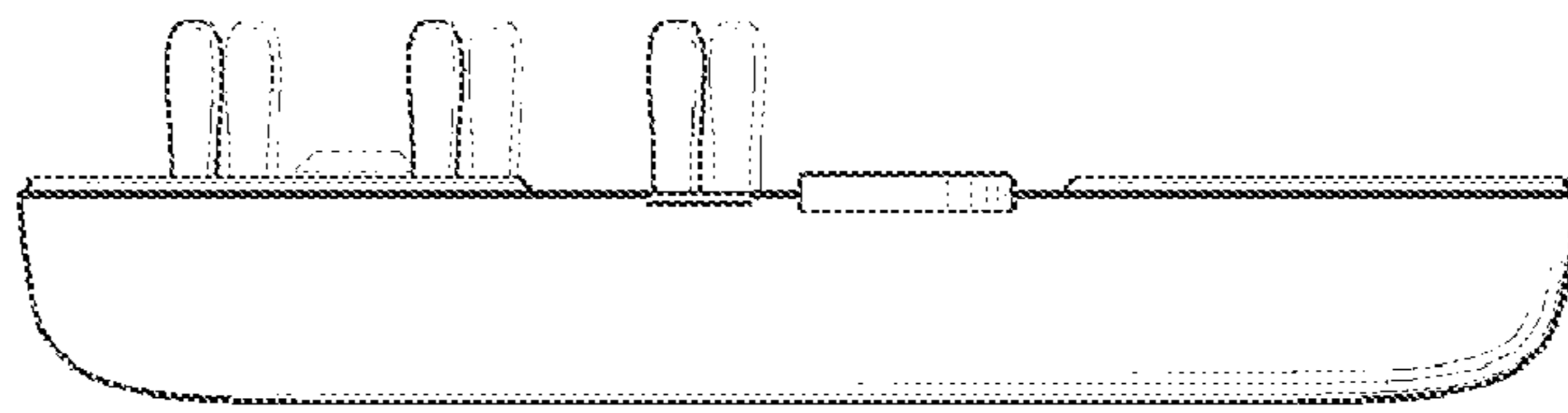


Figure 5

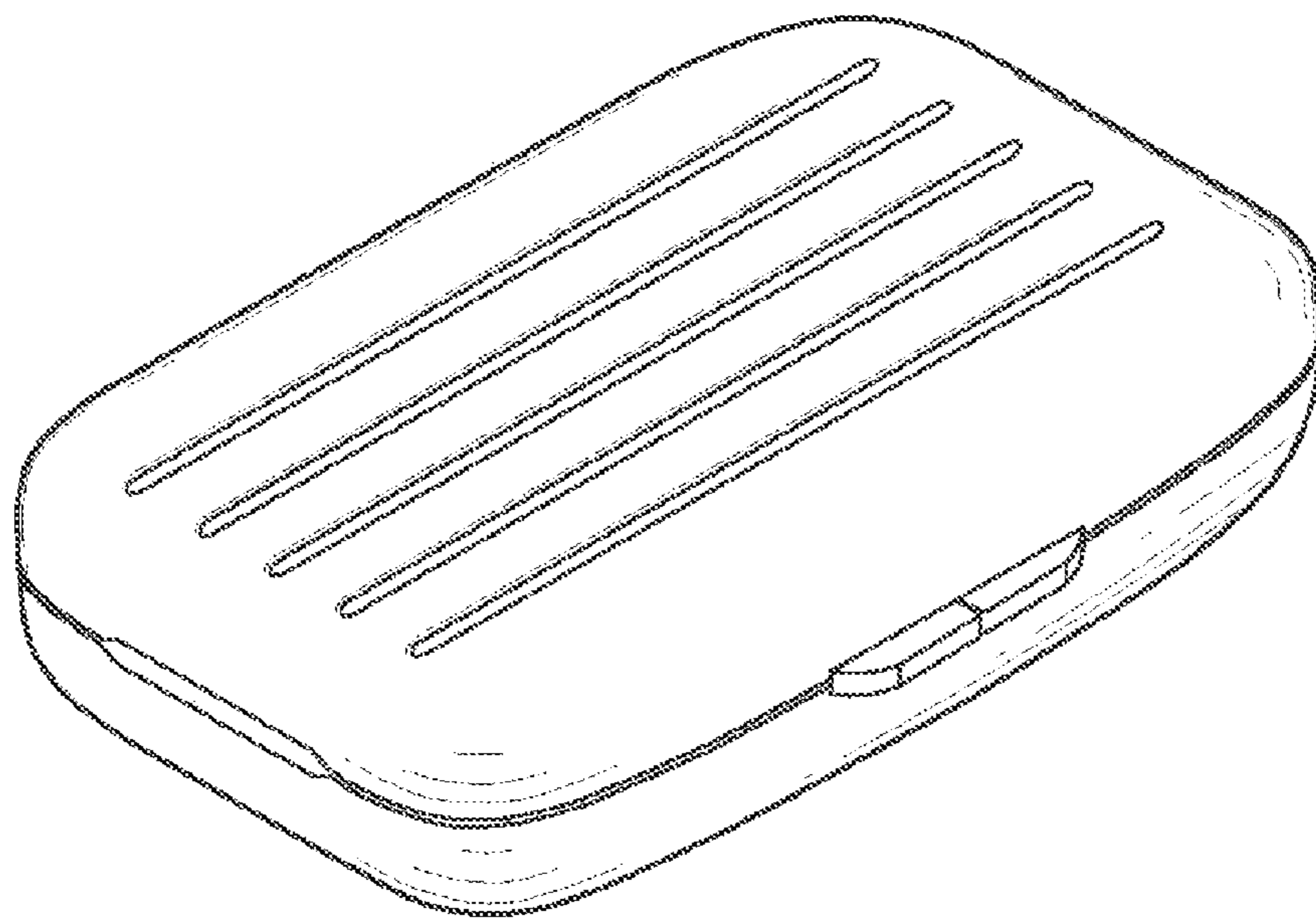


Figure 6

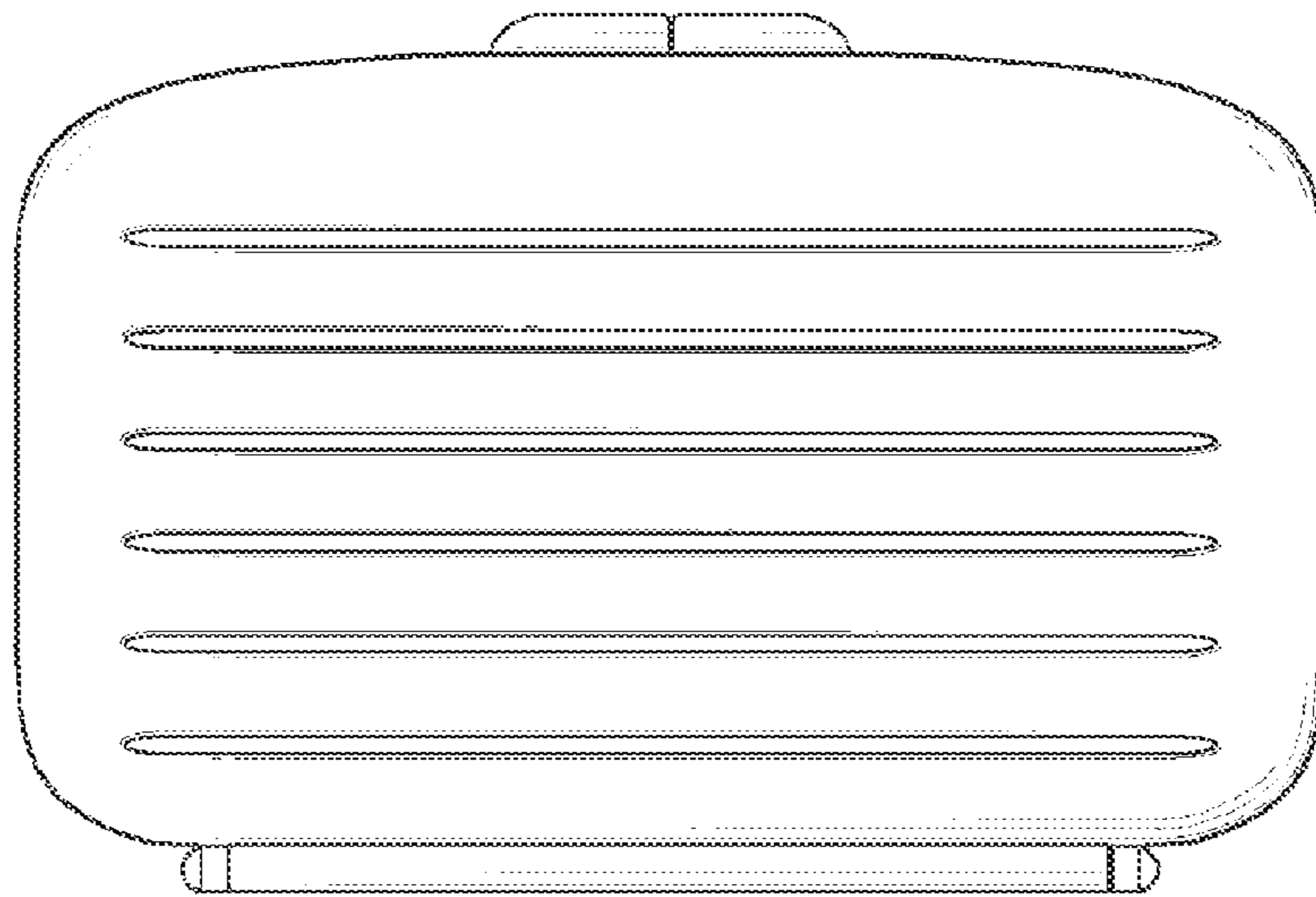


Figure 7

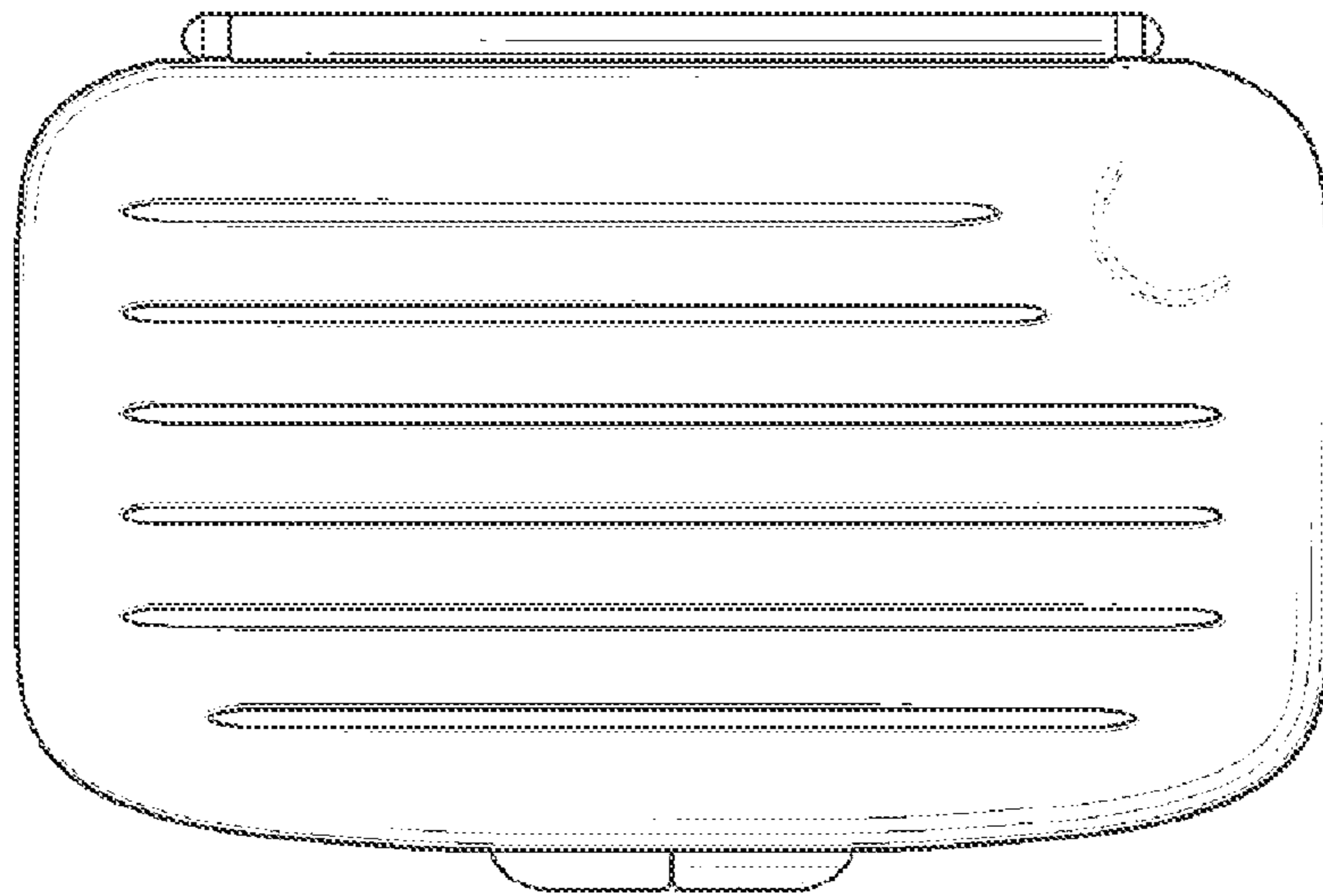


Figure 8

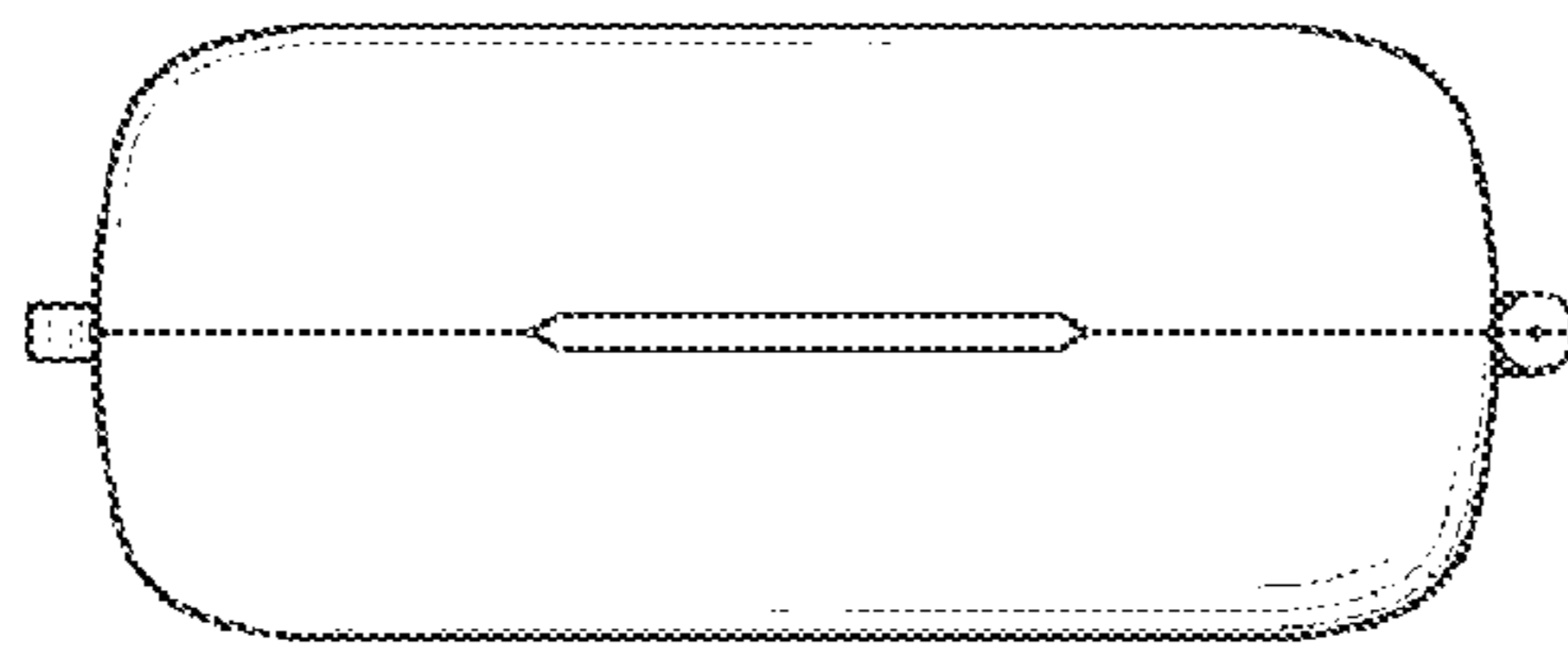


Figure 9

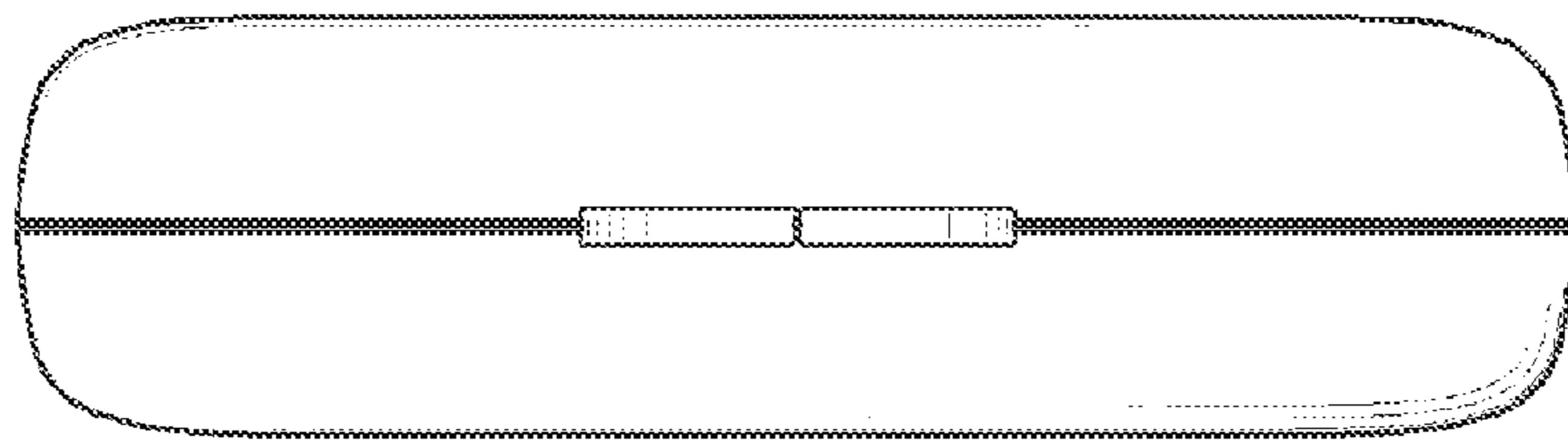


Figure 10

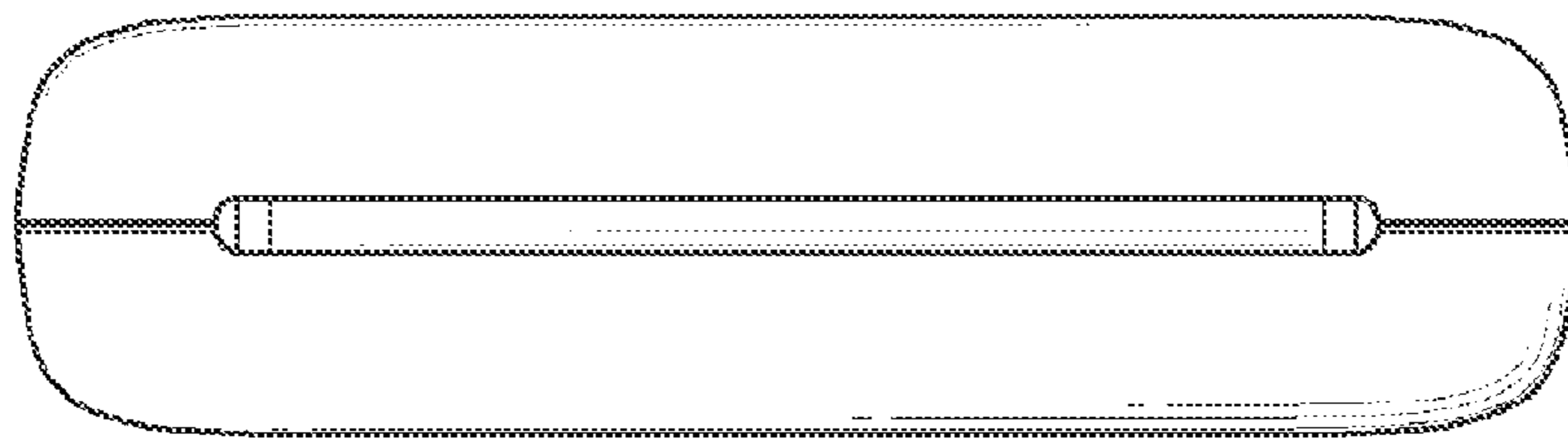


Figure 11