



US00D673362S

(12) **United States Design Patent**  
**Presman et al.**

(10) **Patent No.:** **US D673,362 S**  
(45) **Date of Patent:** **\*\* Jan. 1, 2013**

(54) **CHILD'S BACKPACK**

**DESCRIPTION**

(75) Inventors: **Paul Presman**, Kfar Saba (IL); **Costa Presman**, Ra'anana (IL)  
(73) Assignee: **Ben Bat Ltd.** (IL)  
(\*\*) Term: **14 Years**  
(21) Appl. No.: **29/371,059**  
(22) Filed: **Oct. 5, 2010**  
(51) **LOC (9) Cl.** ..... **03-01**  
(52) **U.S. Cl.** ..... **D3/217; D3/216**  
(58) **Field of Classification Search** ..... D3/214,  
D3/215, 216, 217, 270; D2/830; 224/153,  
224/576, 577, 578  
See application file for complete search history.

(56) **References Cited**

**U.S. PATENT DOCUMENTS**

D275,622	S	*	9/1984	Pierce et al.	.....	D3/217
4,662,549	A		5/1987	Dean		
D302,211	S	*	7/1989	Sears	.....	D3/283
4,901,897	A	*	2/1990	Briggs et al.	.....	224/153
D317,977	S	*	7/1991	Felkner et al.	.....	D3/299
D323,426	S	*	1/1992	Mahvi et al.	.....	D3/214
5,165,111	A	*	11/1992	Lieberman	.....	2/94
5,222,642	A	*	6/1993	Solarz	.....	224/191
D358,483	S	*	5/1995	Cross et al.	.....	D3/276
D381,704	S	*	7/1997	Li	.....	D21/483
5,706,992	A	*	1/1998	Moor	.....	224/657
5,819,998	A	*	10/1998	Chehebar	.....	224/153
5,826,770	A	*	10/1998	Chuang	.....	224/607

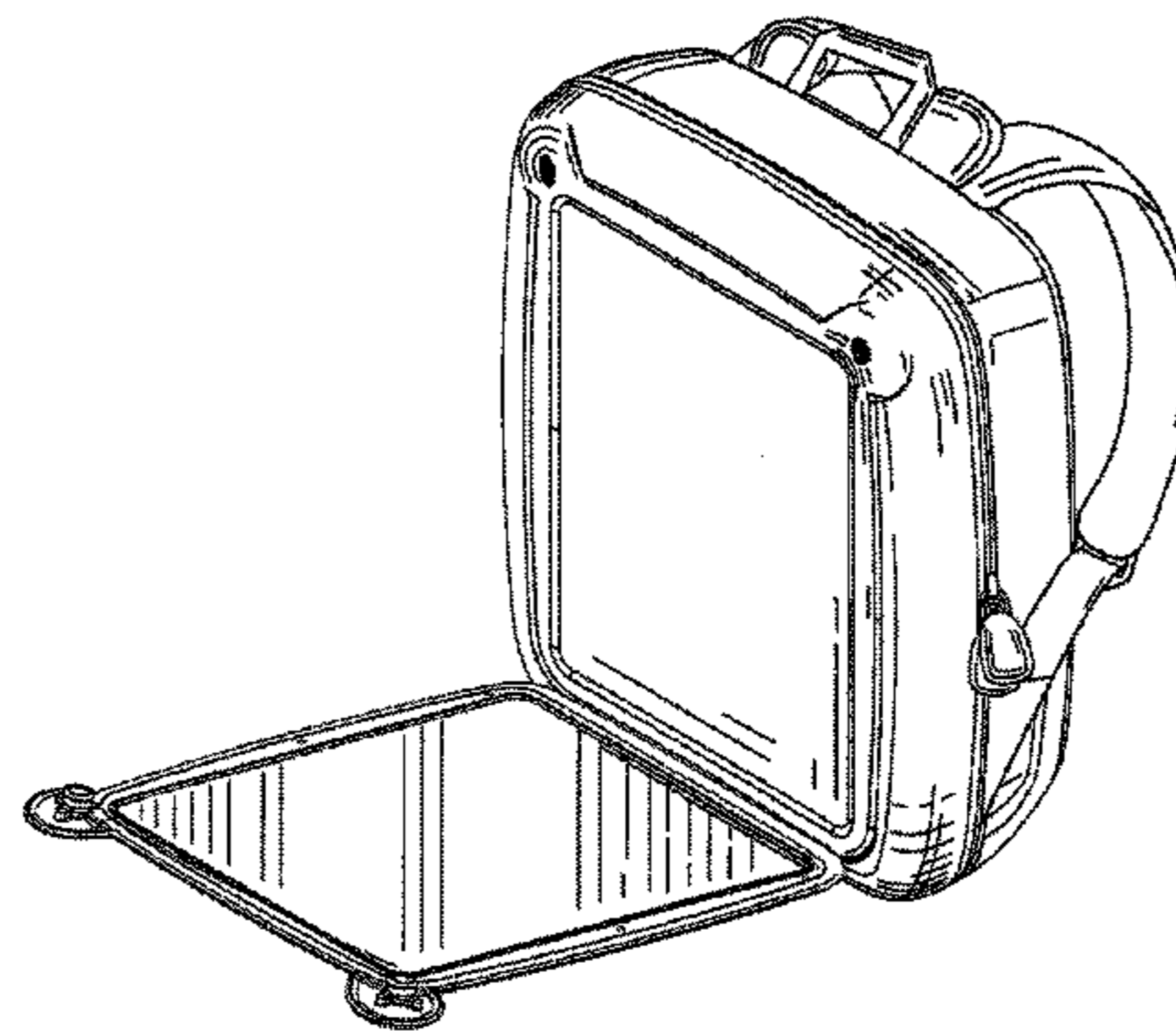
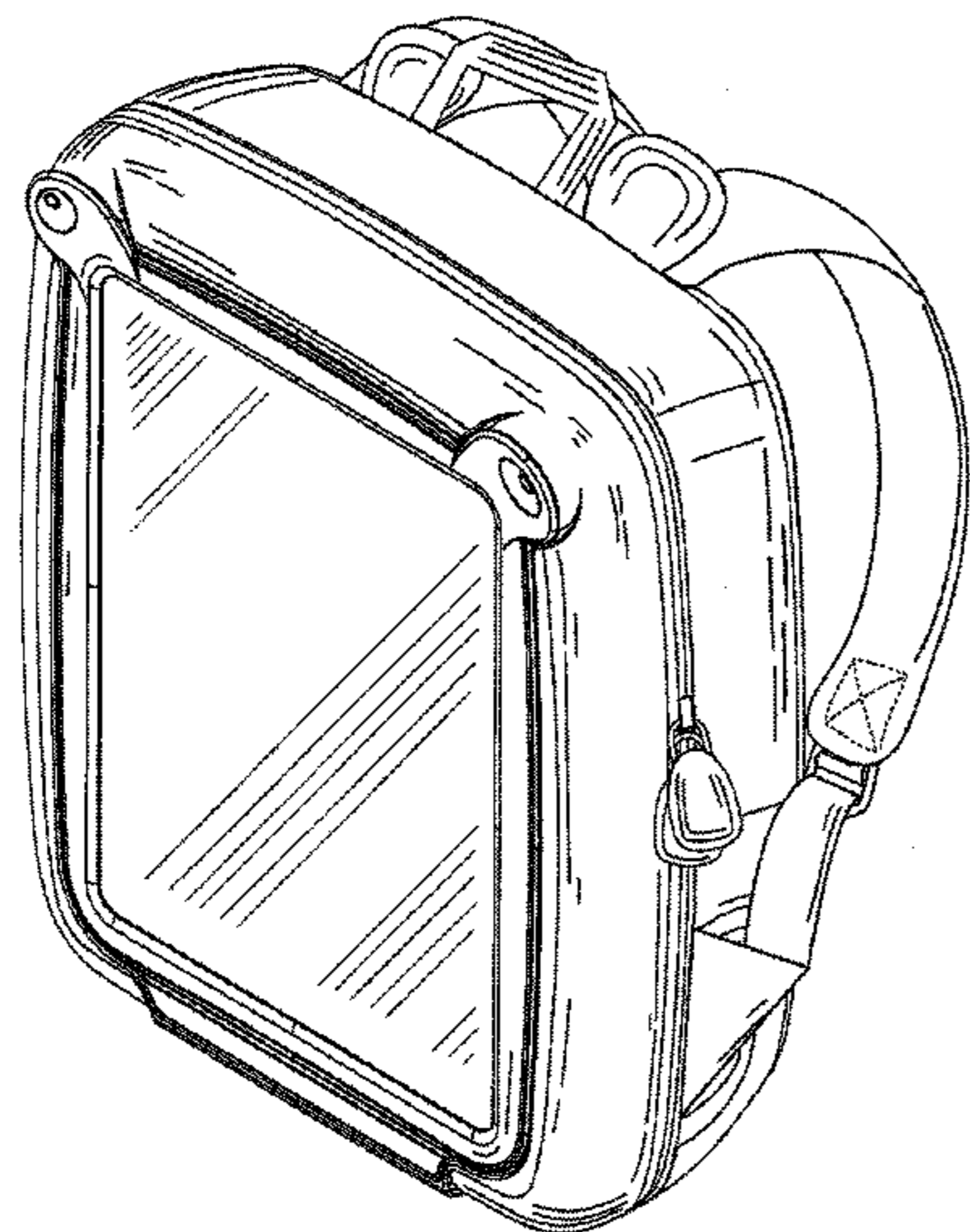
(Continued)

*Primary Examiner* — T. Chase Nelson  
(74) *Attorney, Agent, or Firm* — Hershkovitz & Associates, LLC; Harold L. Novick

(57) **CLAIM**  
The ornamental design for a child's backpack, substantially as shown and described.

FIG. 1 is a front perspective view of a child's backpack having a hinged transparent front display frame in a closed position; FIG. 2 is a rear perspective view of the child's backpack of FIG. 1; FIG. 3 is a front elevation view of the child's backpack of FIG. 1; FIG. 4 is a rear elevation view of the child's backpack of FIG. 1; FIG. 5 is a left elevation view of the child's backpack of FIG. 1; FIG. 6 is right elevation view of the child's backpack of FIG. 1; FIG. 7 is a top plan view of the child's backpack of FIG. 1; FIG. 8 is a bottom plan view of the child's backpack of FIG. 1; FIG. 9 is a front perspective view of the child's backpack of FIG. 1 with its hinged transparent front display frame in an open position; FIG. 10 is a rear perspective view of the child's backpack of FIG. 9; FIG. 11 is a front elevation view of the child's backpack of FIG. 9; FIG. 12 is a rear elevation view of the child's backpack of FIG. 9; FIG. 13 is a left elevation view of the child's backpack of FIG. 9; FIG. 14 is right elevation view of the child's backpack of FIG. 9; FIG. 15 is a top plan view of the child's backpack of FIG. 9; and, FIG. 16 is a bottom plan view of the child's backpack of FIG. 9. The dashed lines of the round protrusions on the backpack's back surface in FIGS. 2, 4 to 8, 10, and 12 to 16 indicate the protrusions form no part of the claimed design.

**1 Claim, 16 Drawing Sheets**



# US D673,362 S

Page 2

## U.S. PATENT DOCUMENTS

5,878,931	A	3/1999	Morphet				
5,887,777	A *	3/1999	Myles et al.	224/578			
5,908,147	A *	6/1999	Chuang	224/607			
6,193,118	B1 *	2/2001	Kearl	224/153			
D446,009	S *	8/2001	Mandell	D3/217			
6,305,587	B1 *	10/2001	Miller	224/153			
6,393,613	B1 *	5/2002	Sheu	2/94			
D482,865	S *	12/2003	Fair	D3/267			
D485,432	S *	1/2004	Desrochers	D3/216			
D498,585	S *	11/2004	Darling	D3/216			
D529,717	S *	10/2006	Brancky	D3/285			
D544,708	S *	6/2007	Barker	D3/216			
D545,056	S *	6/2007	Leighton	D3/217			
D614,398	S	4/2010	Gold et al.				
D614,399	S	4/2010	Gold et al.				
D614,863	S	5/2010	Gold et al.				
D617,089	S	6/2010	Gold et al.				
D617,090	S	6/2010	Gold et al.				
D617,091	S	6/2010	Gold et al.				
D617,092	S	6/2010	Gold et al.				
D617,548	S	6/2010	Gold et al.				
D620,702	S	8/2010	Gold et al.				
D623,238	S	9/2010	Gold et al.				
D635,762	S *	4/2011	Fahim	D3/217			
D639,057	S *	6/2011	Presman et al.	D3/279			
D647,302	S *	10/2011	Hoang	D3/289			
8,123,090	B2 *	2/2012	Missick	224/155			
D658,363	S *	5/2012	Biddle	D3/217			
2005/0056668	A1 *	3/2005	Aris et al.	224/153			
2005/0077329	A1	4/2005	Sconzo				
2005/0242143	A1 *	11/2005	Hassett	224/576			
2009/0159622	A1	6/2009	Smith				
2010/0006614	A1 *	1/2010	McLean et al.	224/577			
2010/0116860	A1 *	5/2010	Tello	224/576			
2010/0127024	A1 *	5/2010	Cortes	224/153			
2010/0219221	A1 *	9/2010	Zheng	224/576			
2011/0127304	A1 *	6/2011	Kam	224/153			
2012/0018477	A1 *	1/2012	Inouye	224/576			
2012/0111912	A1 *	5/2012	Zheng	224/576			

\* cited by examiner

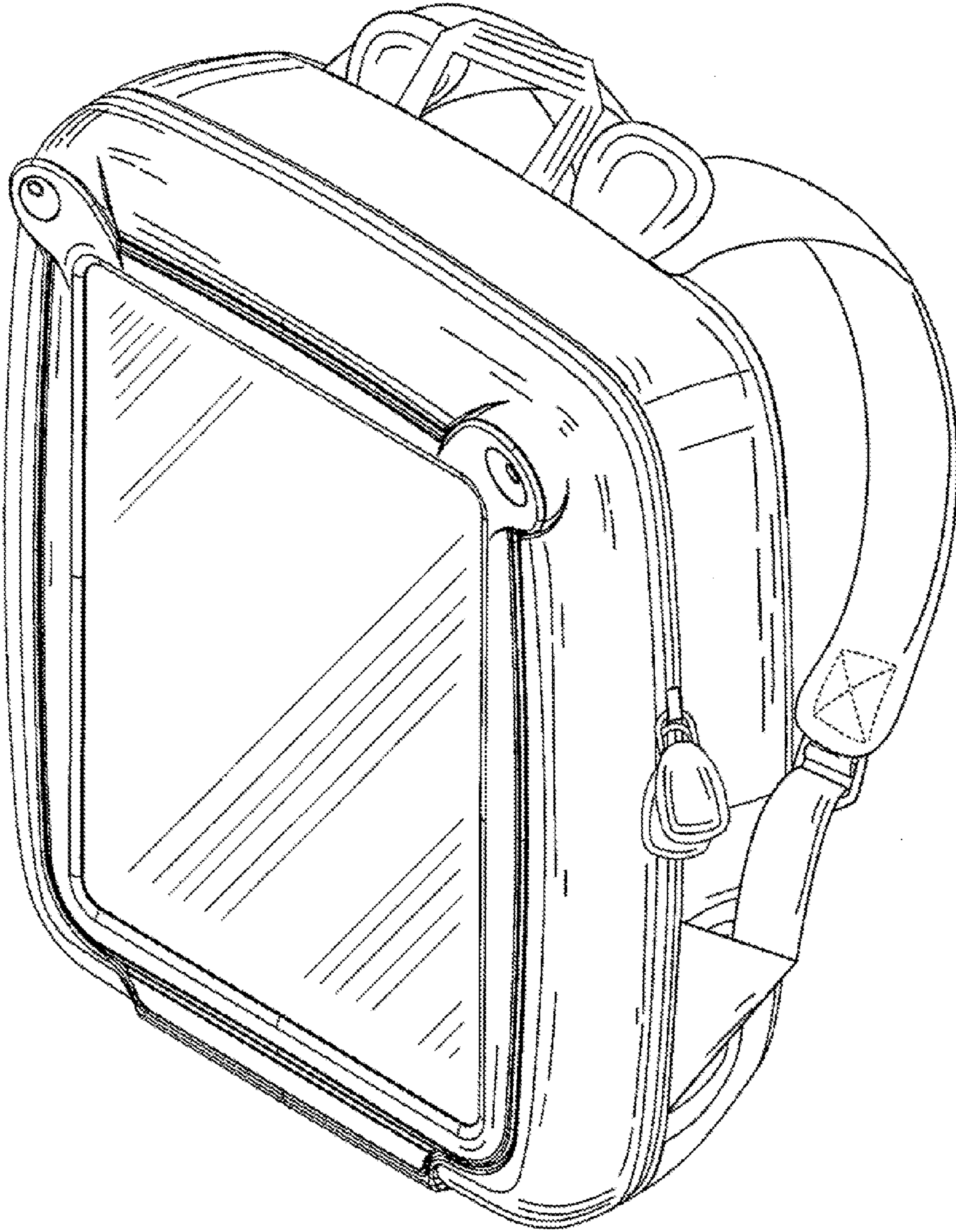


Fig. 1

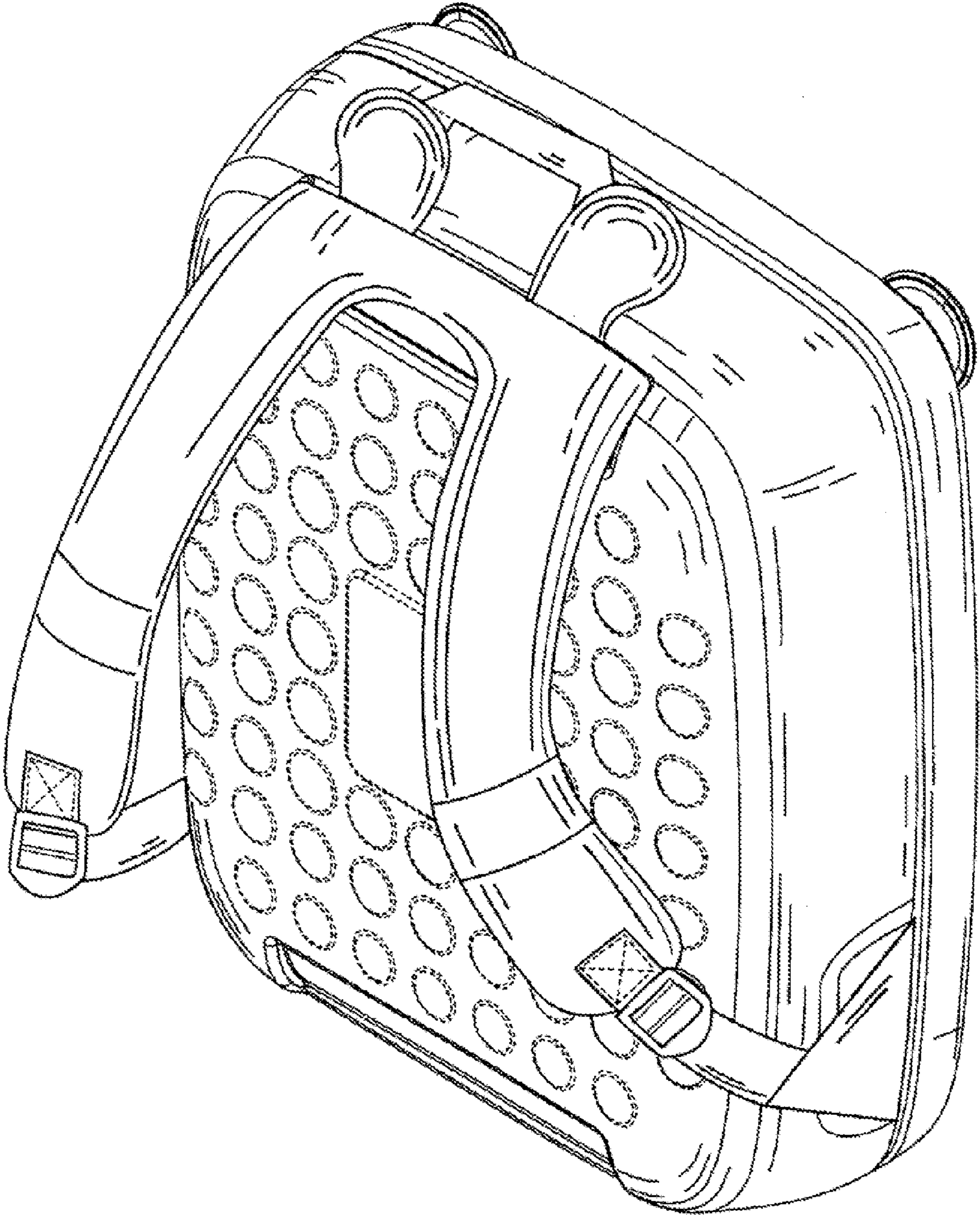


Fig. 2

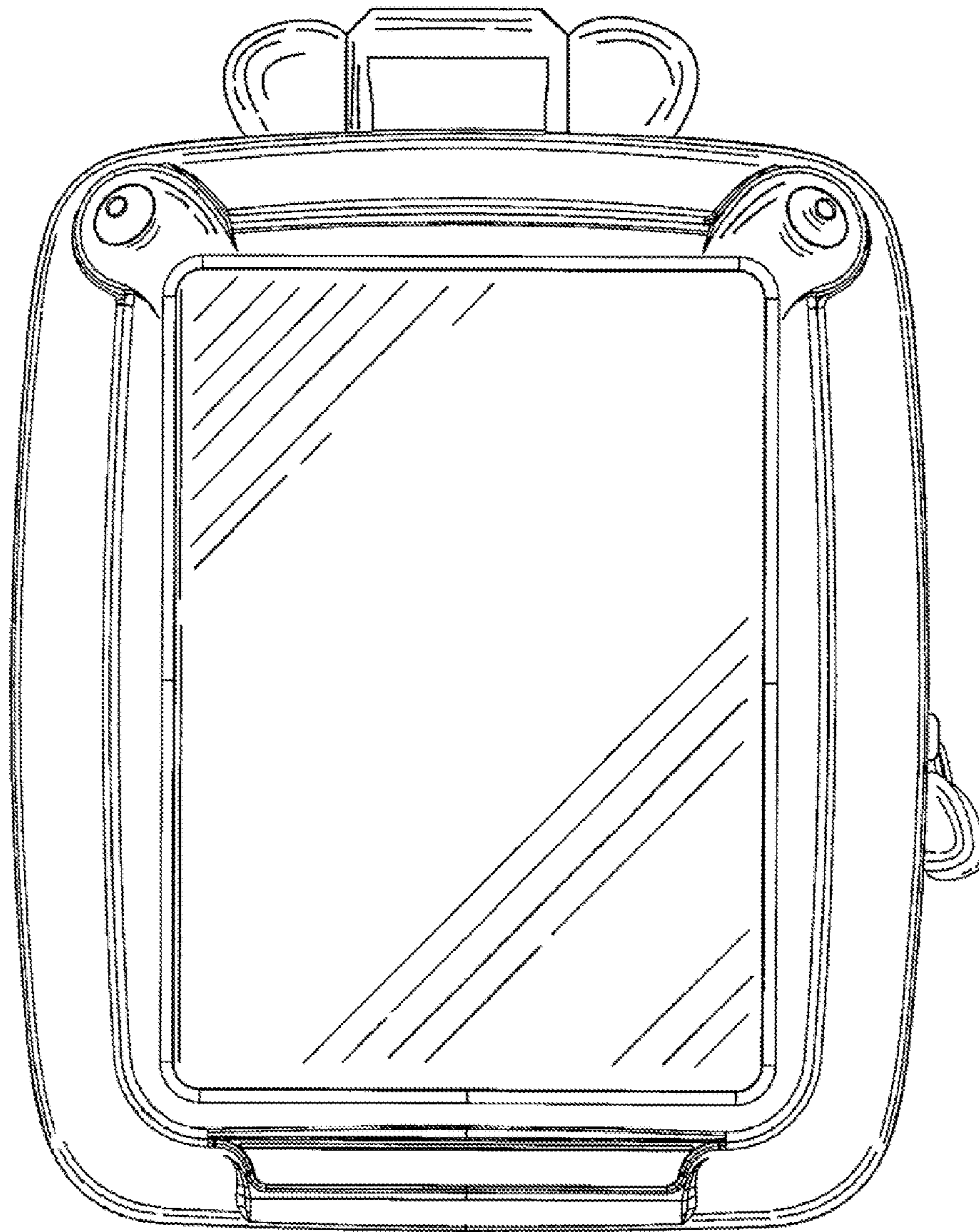


Fig. 3

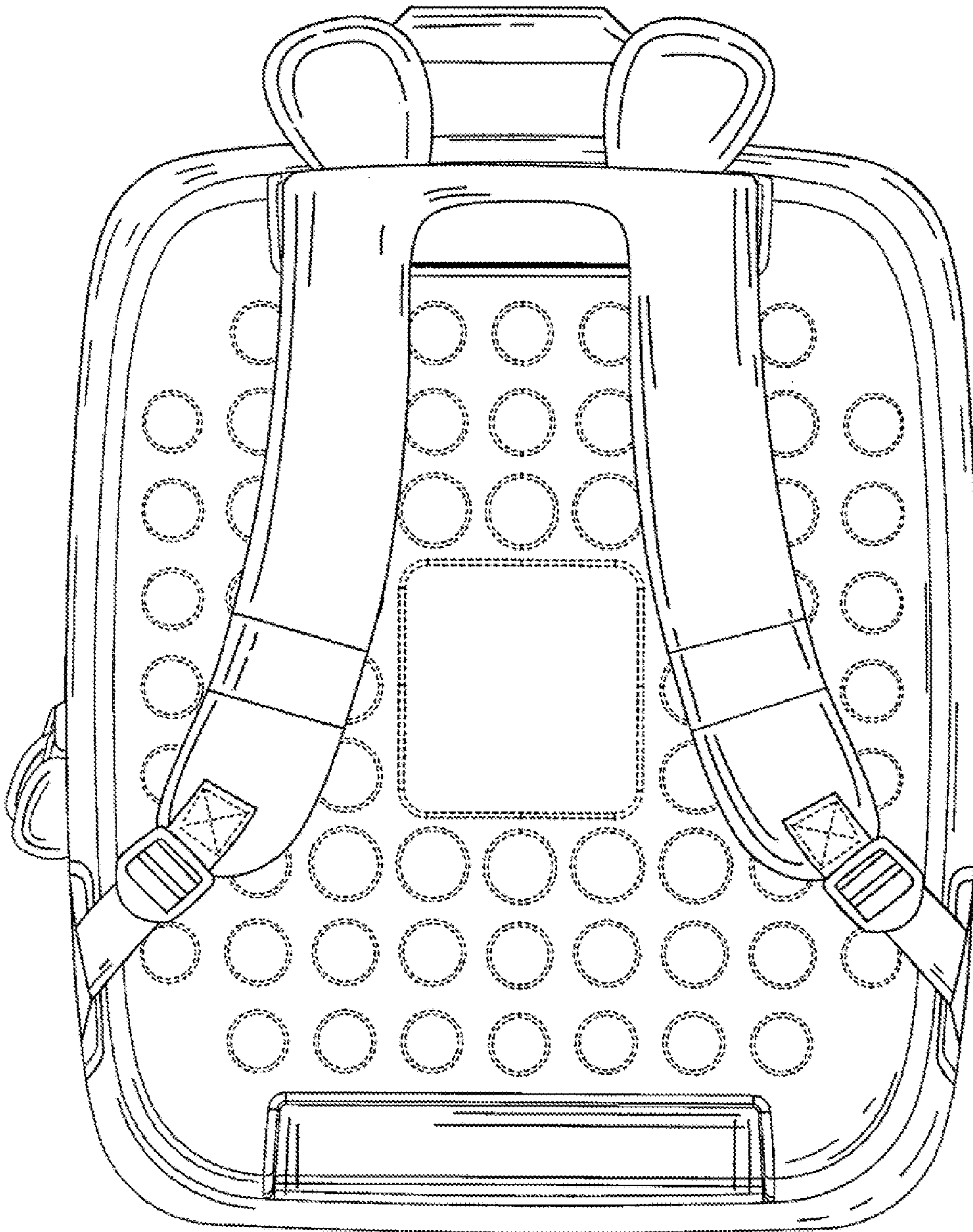


Fig. 4

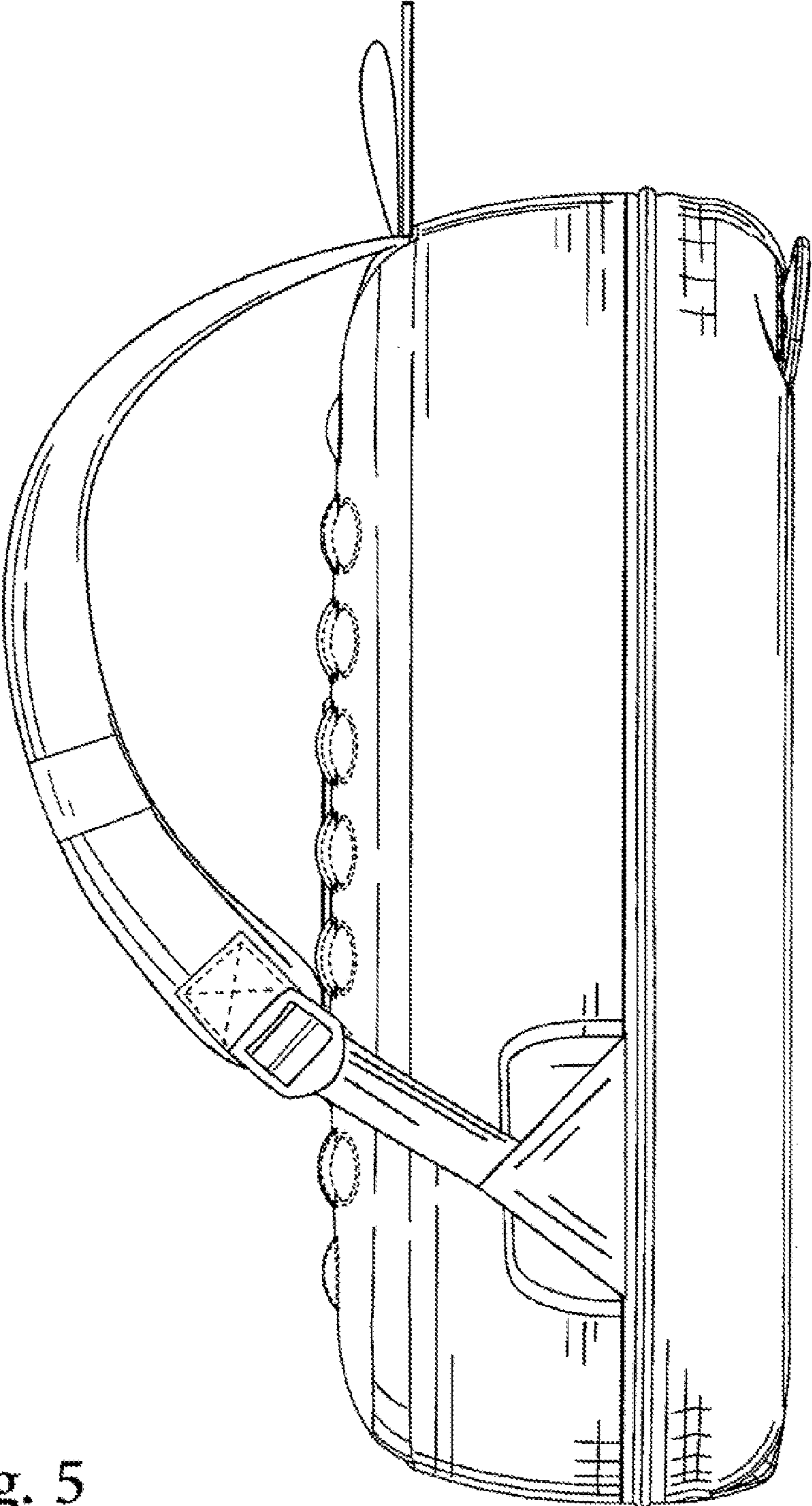


Fig. 5

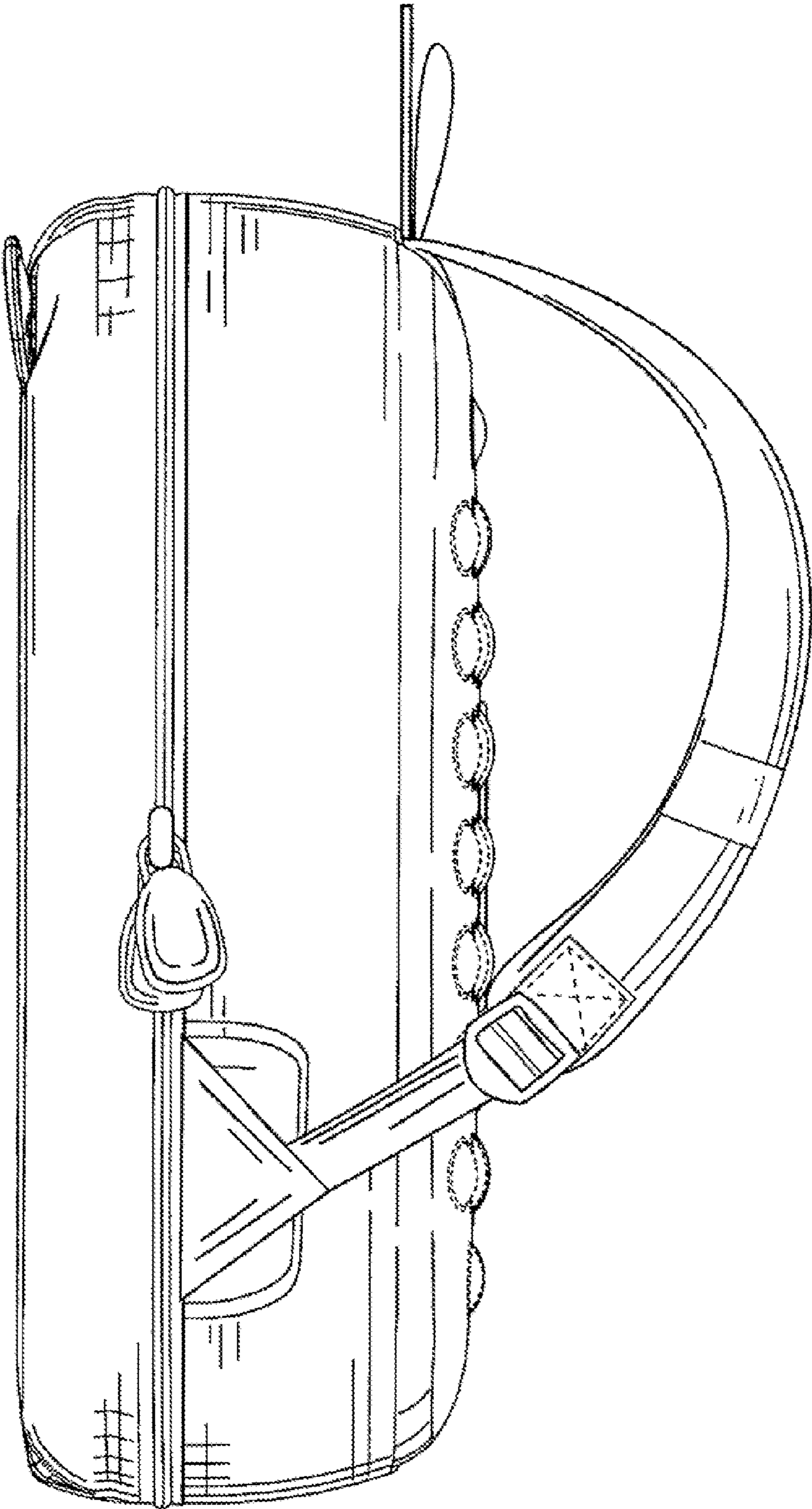


Fig. 6



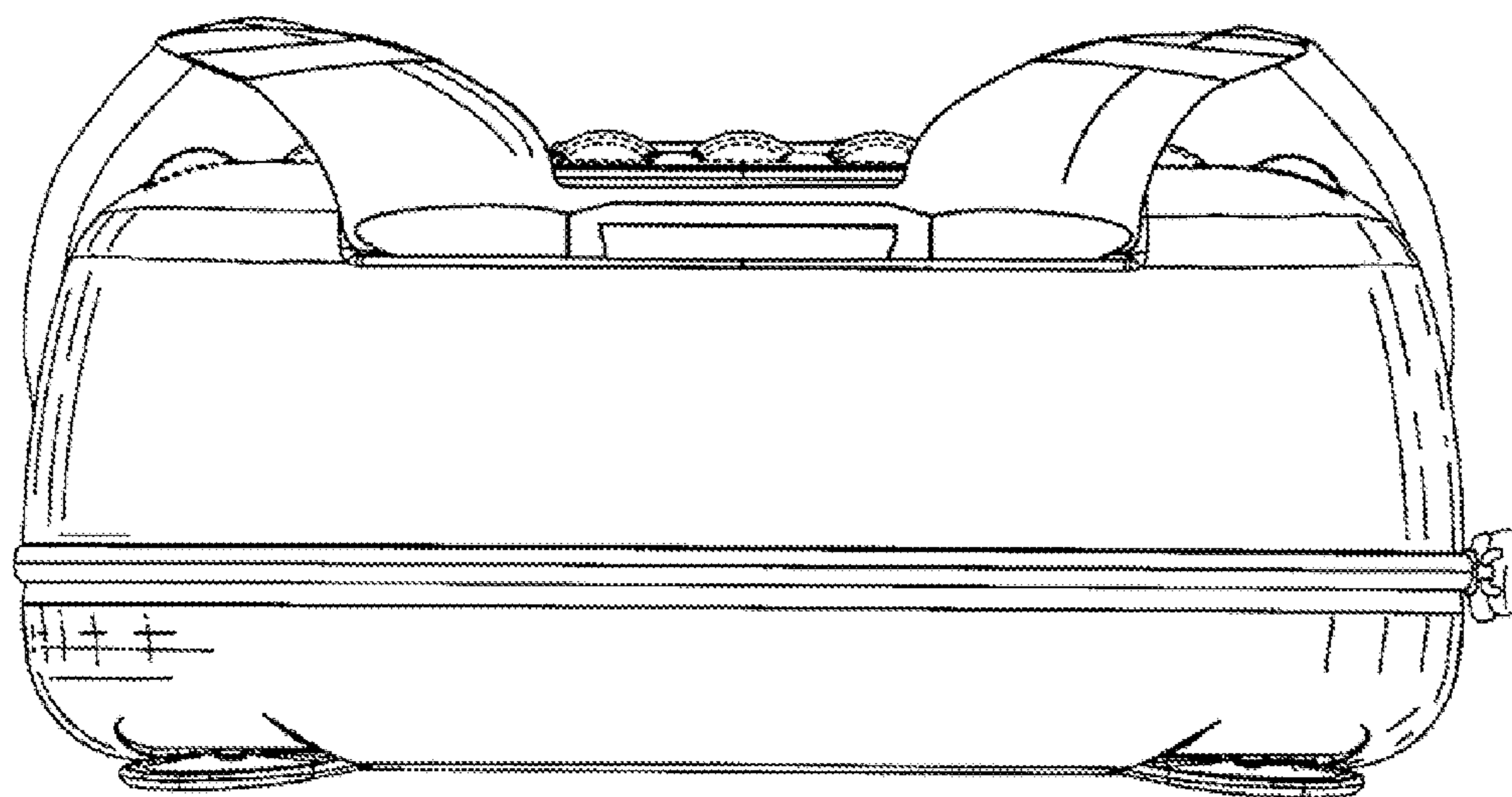


Fig. 7

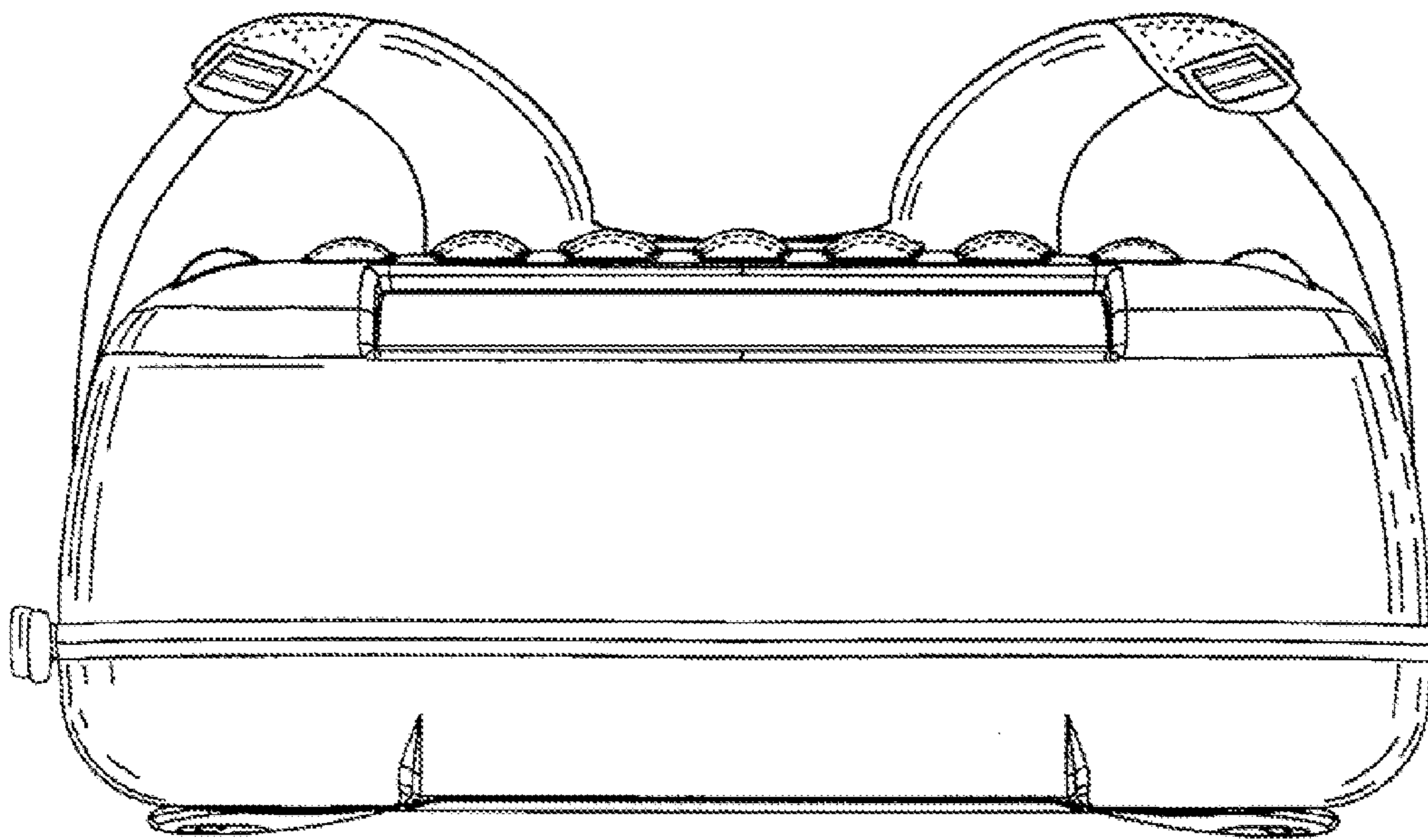


Fig. 8

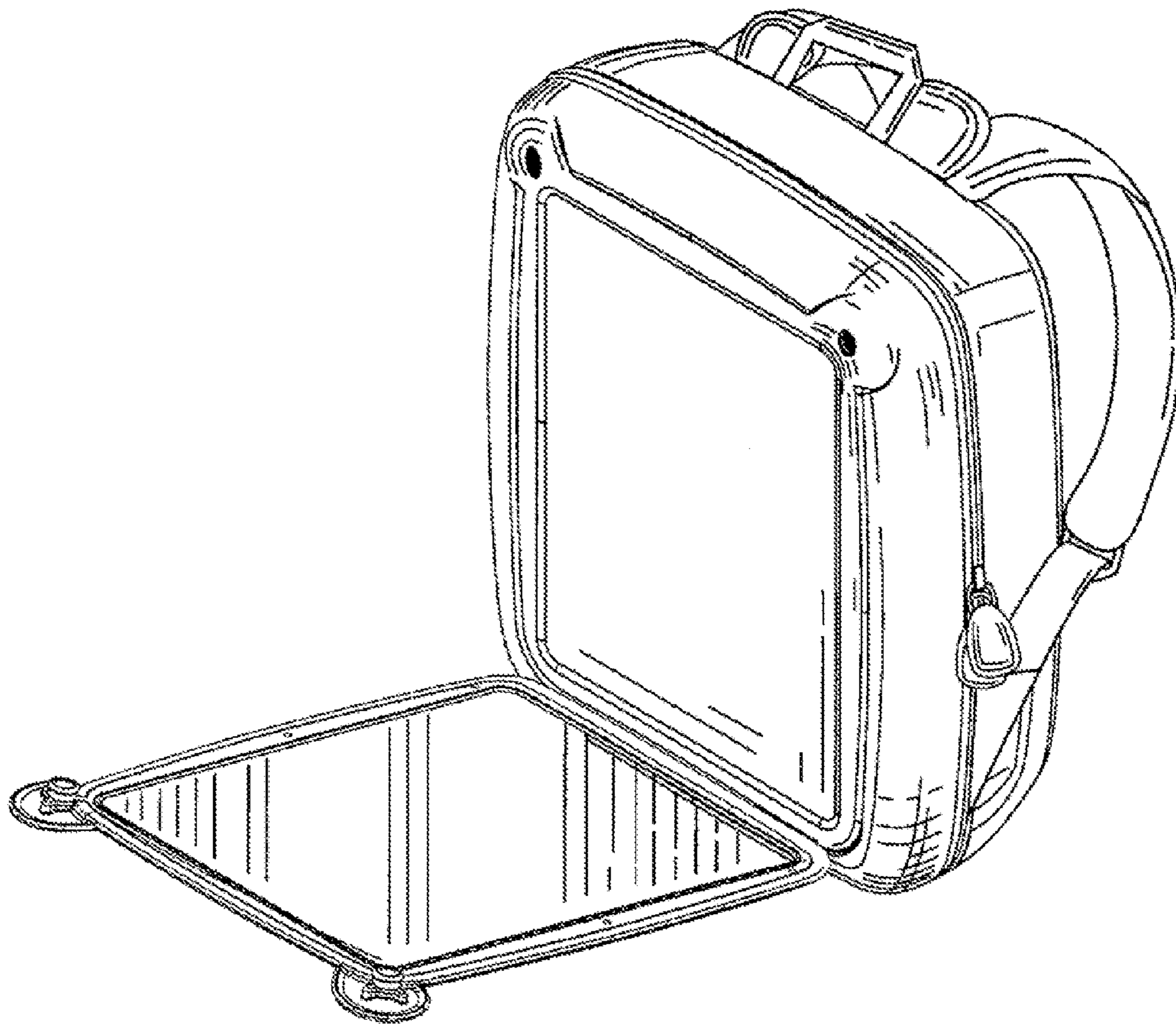


Fig. 9

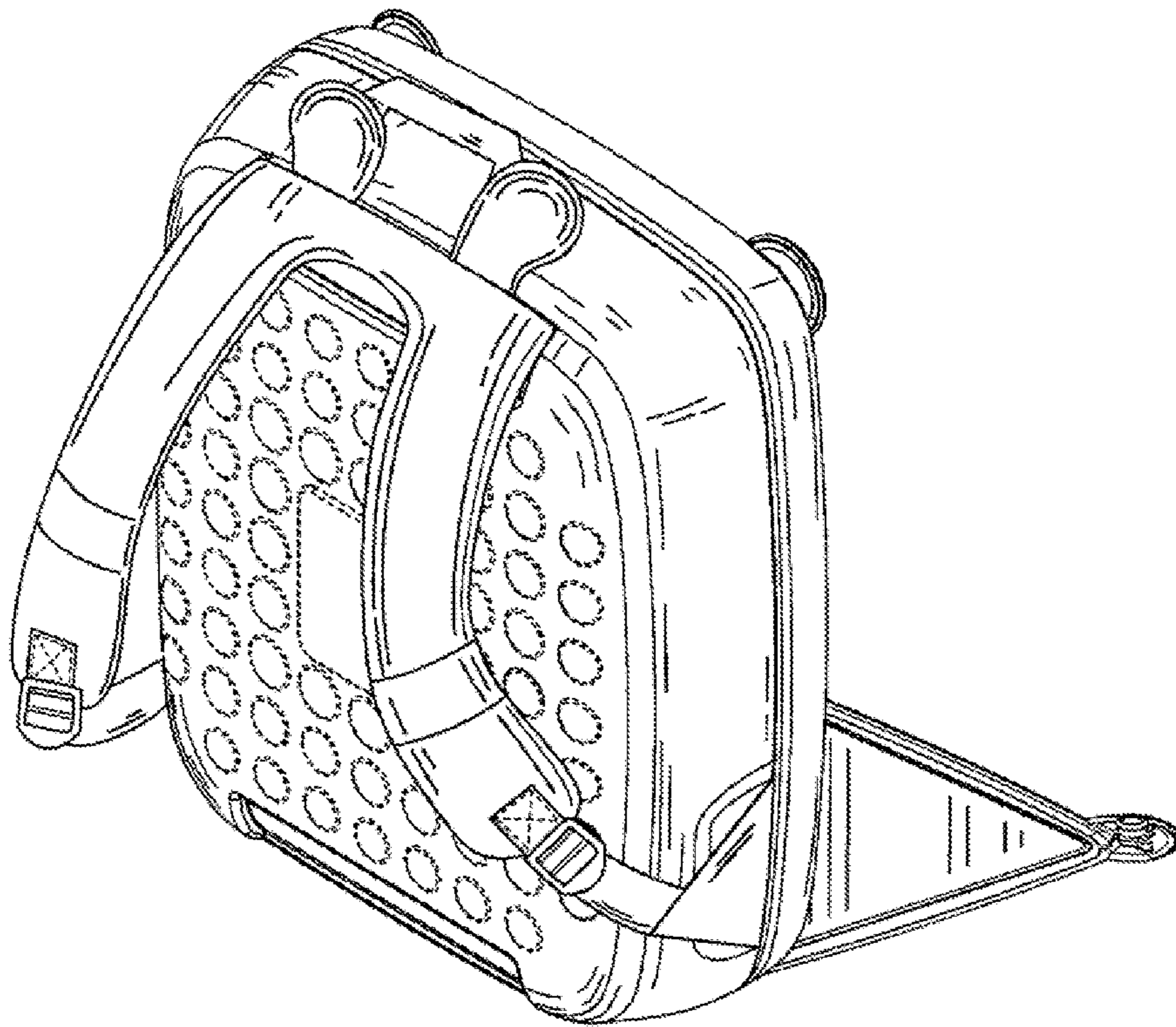


Fig. 10

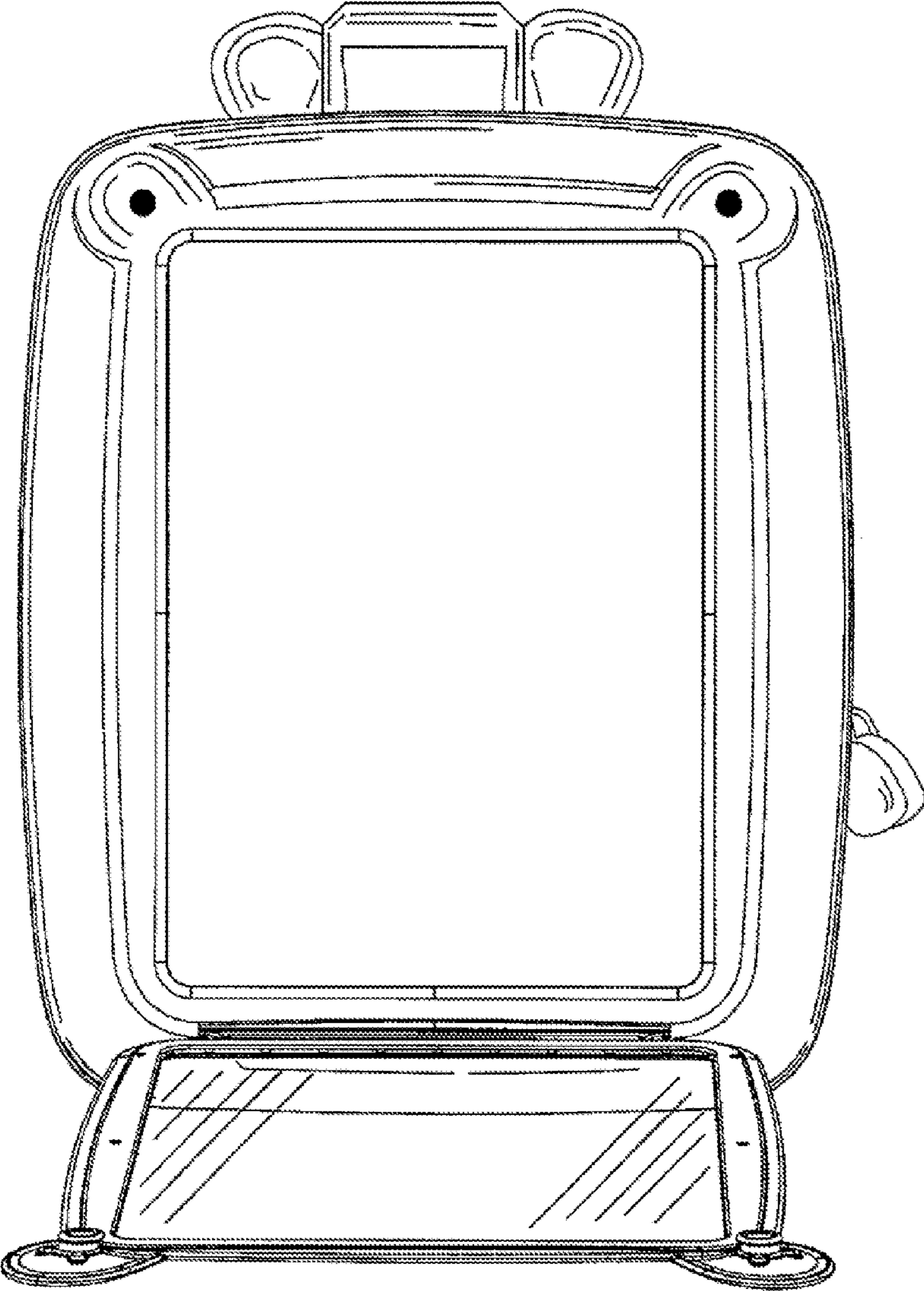


Fig. 11

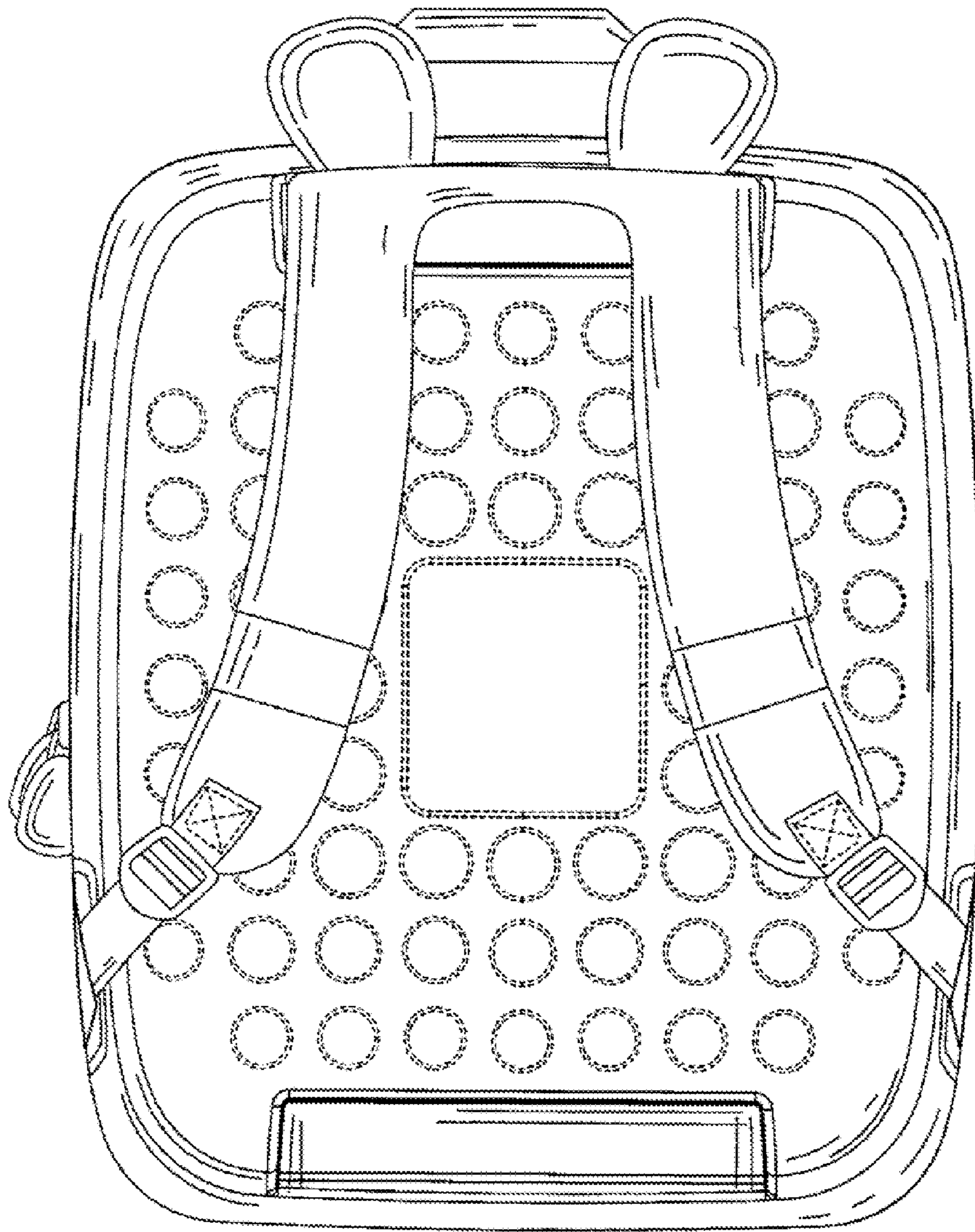


Fig. 12

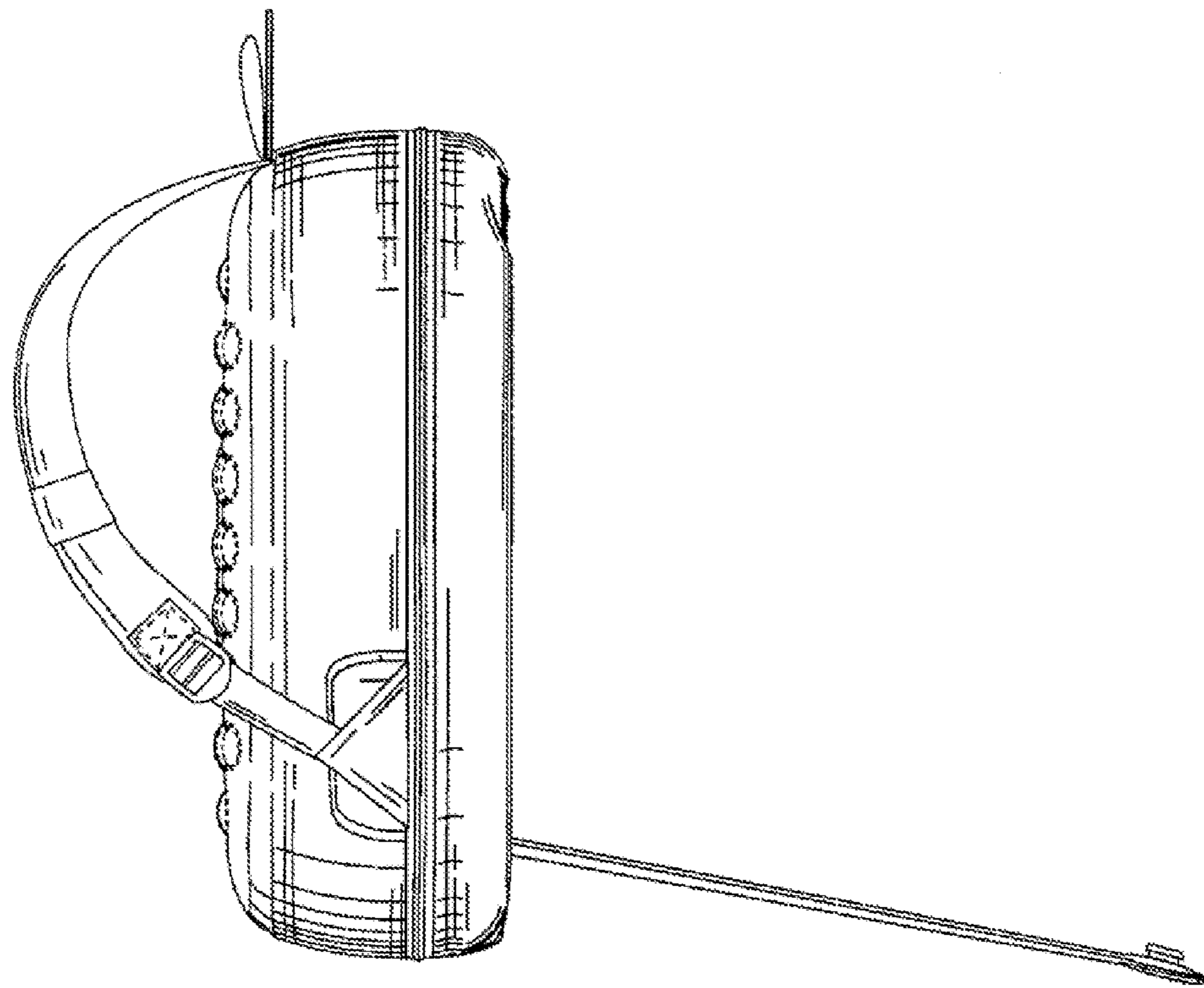


Fig. 13

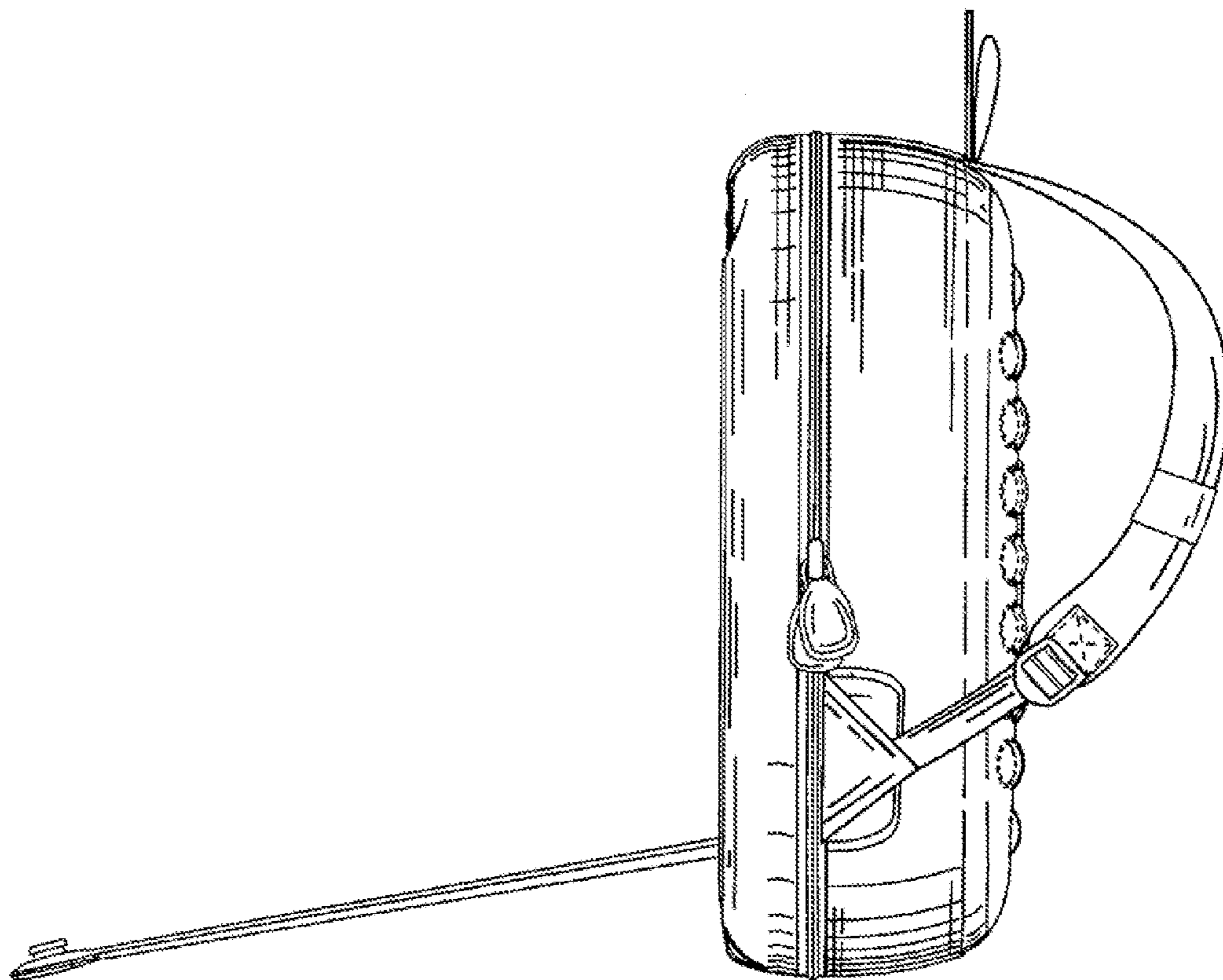


Fig. 14



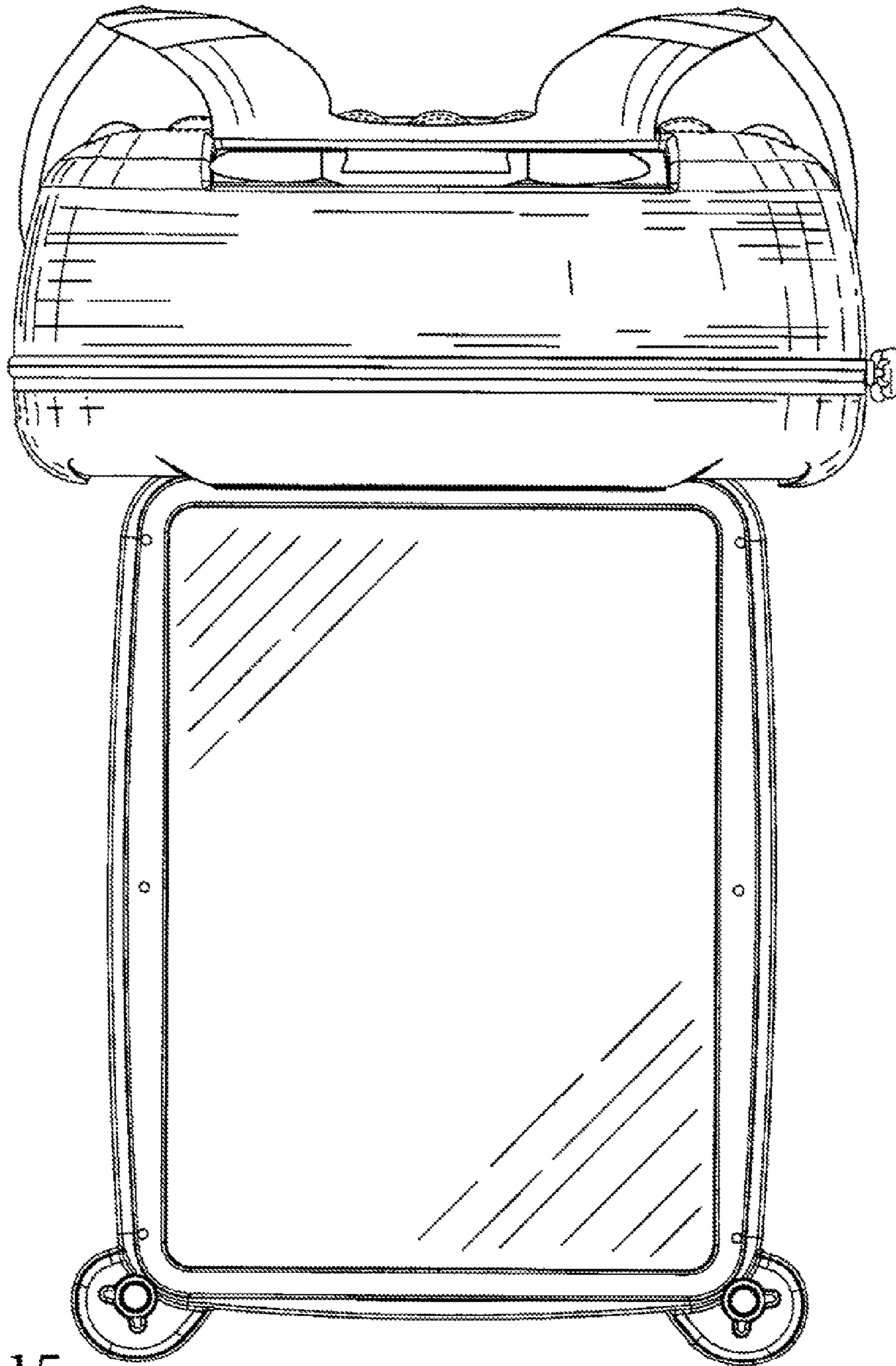


Fig. 15

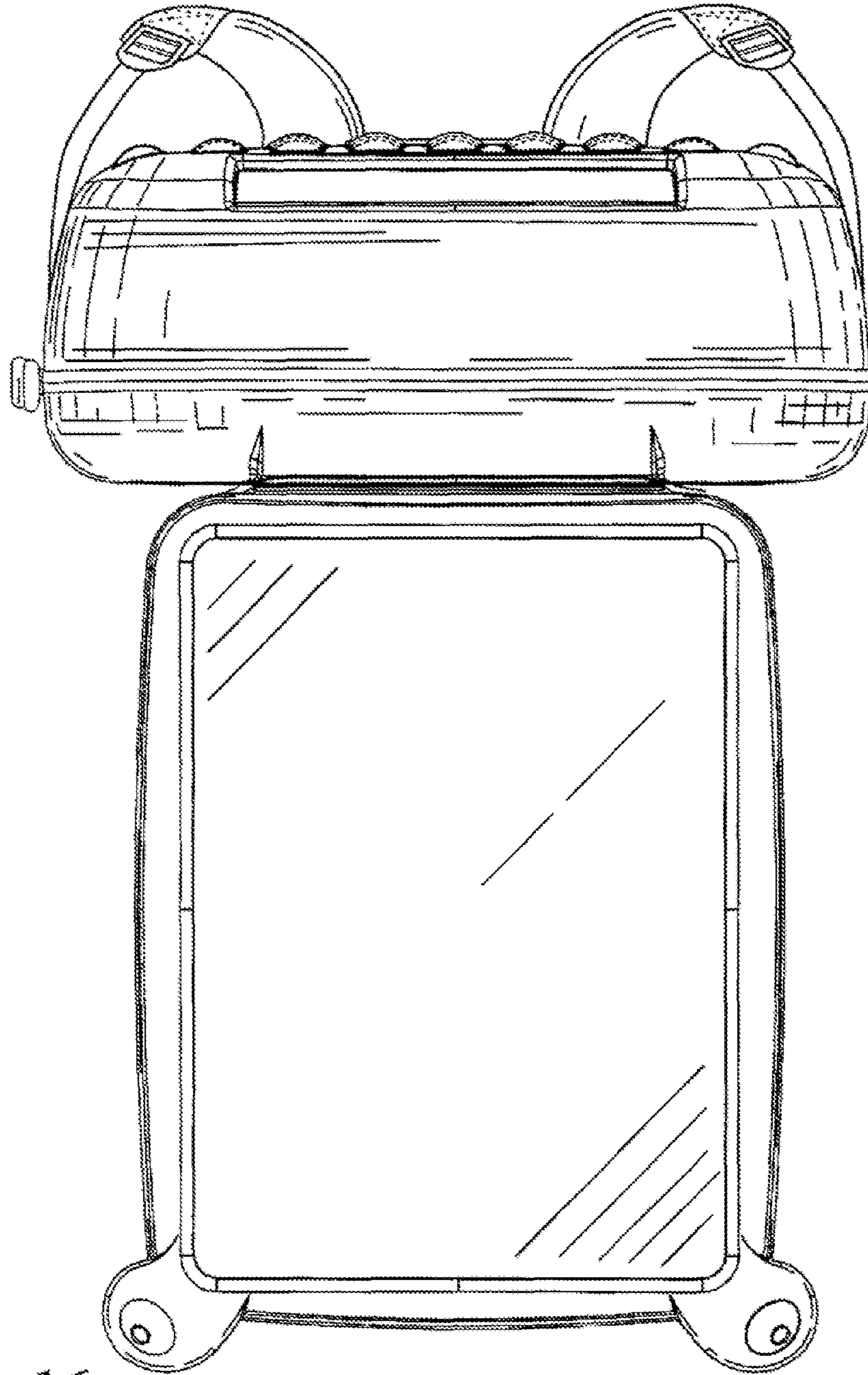


Fig. 16