



US00D673352S

(12) **United States Design Patent**
Robinson

(10) **Patent No.:** **US D673,352 S**
(45) **Date of Patent:** **** Jan. 1, 2013**

(54) **HEADBAND WITH DETACHABLE VISOR AND TOWEL**

(75) Inventor: **Dwight Robinson**, Camden, NJ (US)

(73) Assignee: **Functional Games Apparel LLC**, Camden, NJ (US)

(**) Term: **14 Years**

(21) Appl. No.: **29/394,332**

(22) Filed: **Jun. 15, 2011**

(51) **LOC (9) Cl.** **02-03**

(52) **U.S. Cl.** **D2/876**

(58) **Field of Classification Search** D2/865,
D2/866, 871, 876, 877, 879, 882, 891, 894;
2/12, 171, 171.1, 172, 175.1, 175.2, 175.3,
2/181, 181.2, 181.4, 181.6, 181.8, 182.1,
2/182.2, 182.3, 182.4, 182.5, 182.6, 182.7,
2/182.8, 184.5, 195.1, 195.2, 195.3, 209.11,
2/209.13

See application file for complete search history.

(56) **References Cited**

U.S. PATENT DOCUMENTS

220,744	A *	10/1879	Baker et al.	2/181
1,505,183	A *	8/1924	Zucker	2/172
1,947,786	A *	2/1934	Lueck et al.	2/10
2,519,512	A *	8/1950	Stone	2/172

(Continued)

Primary Examiner — Karen E Eldridge Powers

(74) *Attorney, Agent, or Firm* — North Shore Patents, P.C.; Michele Liu Baillie

(57) **CLAIM**

The ornamental design for a headband with detachable visor and towel, as shown and described.

DESCRIPTION

FIG. 1 is a perspective view of a headband with a detachable brim and towel, the headband being shown without the towel for clarity of illustration;

FIG. 2 is a perspective view thereof, showing the brim partially detached;

FIG. 3 is a front elevation view thereof, the headband being shown separately for clarity of illustration;

FIG. 4 is a front elevation view of the design as illustrated in FIG. 1;

FIG. 5 is a rear elevation view of the design as illustrated in FIG. 1;

FIG. 6 is a left side elevation view of the design as illustrated in FIG. 1;

FIG. 7 is a right side elevation view of the design as illustrated in FIG. 1;

FIG. 8 is a top plan view of the design as illustrated in FIG. 1;

FIG. 9 is a bottom plan view of the design as illustrated in FIG. 1;

FIG. 10 is a front elevation view of the visor as shown in FIGS. 1-9, the headband and towel not being shown for clarity of illustration;

FIG. 11 is a rear elevation view thereof;

FIG. 12 is a perspective view of the design of FIGS. 1-11, showing the towel attached;

FIG. 13 is a rear perspective view of the design as illustrated in FIG. 12 showing the towel partially detached;

FIG. 14 is a front elevation view of the design as illustrated in FIG. 12;

FIG. 15 is a rear elevation view of the design as illustrated in FIG. 12;

FIG. 16 is a left: side elevation view of the design as illustrated in FIG. 12;

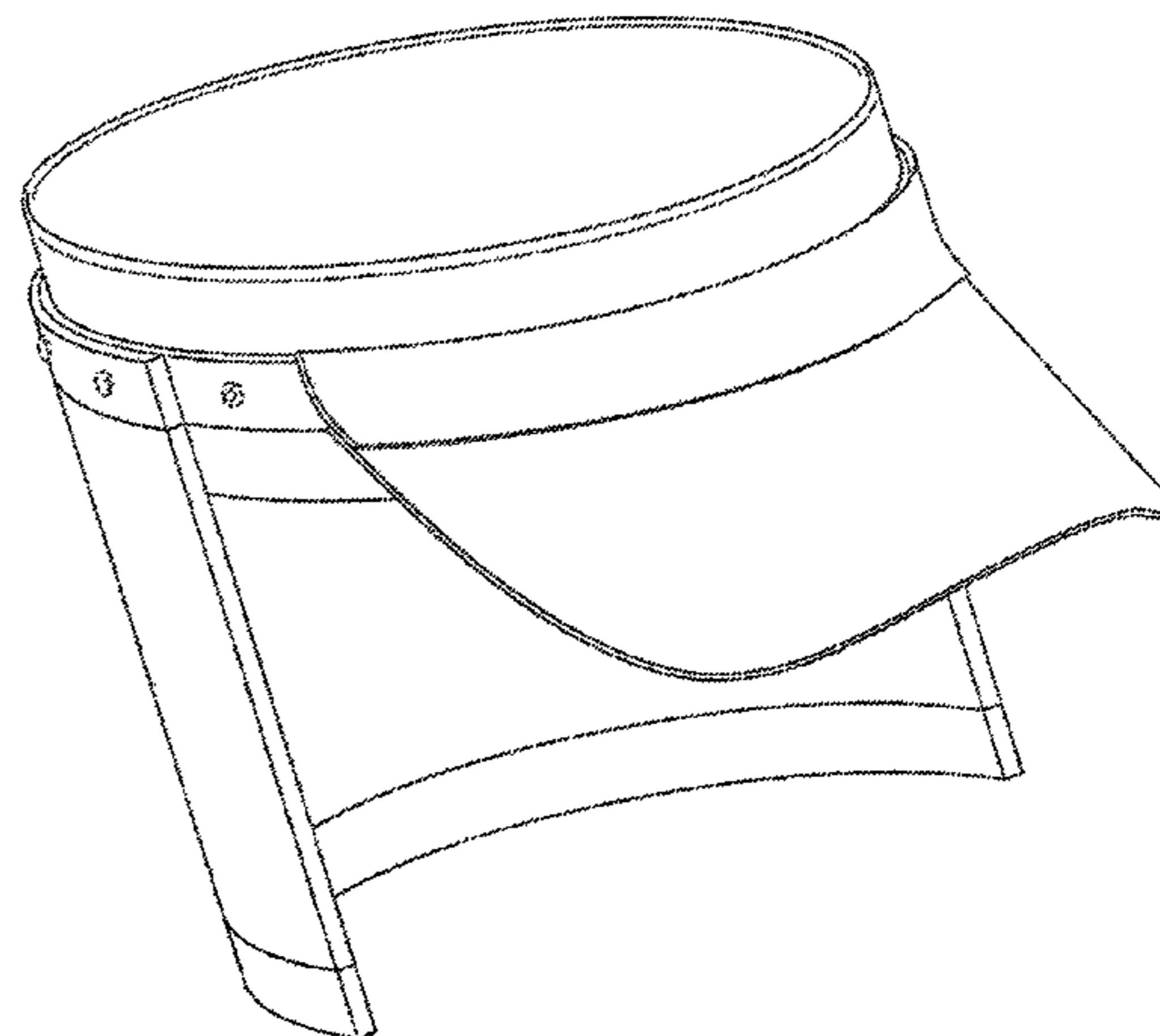
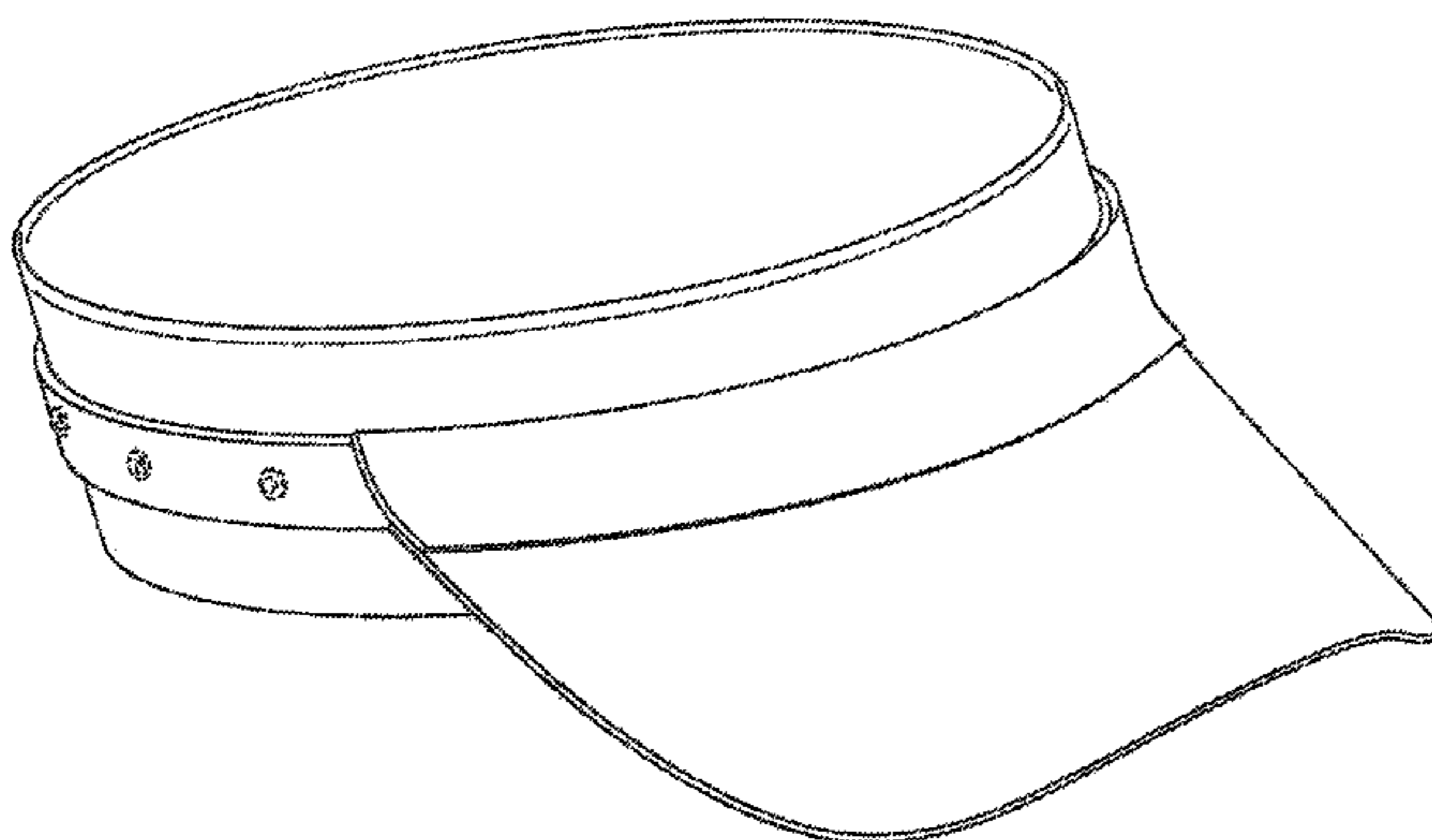
FIG. 17 is a right side elevation view of the design as illustrated in FIG. 12;

FIG. 18 is a top plan view of the design as illustrated in FIG. 12; and,

FIG. 19 is a bottom plan view of the design as illustrated in FIG. 12.

The fasteners shown in broken lines in the drawings are unclaimed features of the article to which the design is applied or in which the design is embodied, and form no part of the claim.

1 Claim, 16 Drawing Sheets



US D673,352 S

Page 2

U.S. PATENT DOCUMENTS

3,041,624	A *	7/1962	Cutrona, Jr.	2/11
D266,712	S *	11/1982	Van Valkenburgh	D2/877
D276,854	S *	12/1984	Stockton	D2/876
5,046,195	A *	9/1991	Koritan	2/172
5,105,476	A *	4/1992	Cox	2/12
5,355,535	A *	10/1994	Bruder	2/172
D363,812	S *	11/1995	Cassady	D2/879
5,510,961	A *	4/1996	Peng	362/106
D375,612	S *	11/1996	Elder	D2/894
D376,681	S *	12/1996	Riesenman et al.	D2/879
5,603,120	A *	2/1997	Gifford	2/172
D380,591	S *	7/1997	Kessel et al.	D2/866
5,649,327	A *	7/1997	Crewe	2/172
5,655,225	A *	8/1997	Mathers	2/172
5,685,017	A *	11/1997	Kraft	2/171.1
D420,493	S *	2/2000	Blake	D2/866
6,233,745	B1 *	5/2001	Friesen	2/172
D474,327	S *	5/2003	Giesen et al.	D2/891
D481,198	S *	10/2003	McKnight	D2/871
6,802,083	B2 *	10/2004	Yan	2/209.13
D509,046	S *	9/2005	Patterson	D2/866
D567,480	S *	4/2008	Harris et al.	D2/882
D594,186	S *	6/2009	Petty	D2/891
2012/0180193	A1 *	7/2012	Curiel	2/209.11

* cited by examiner

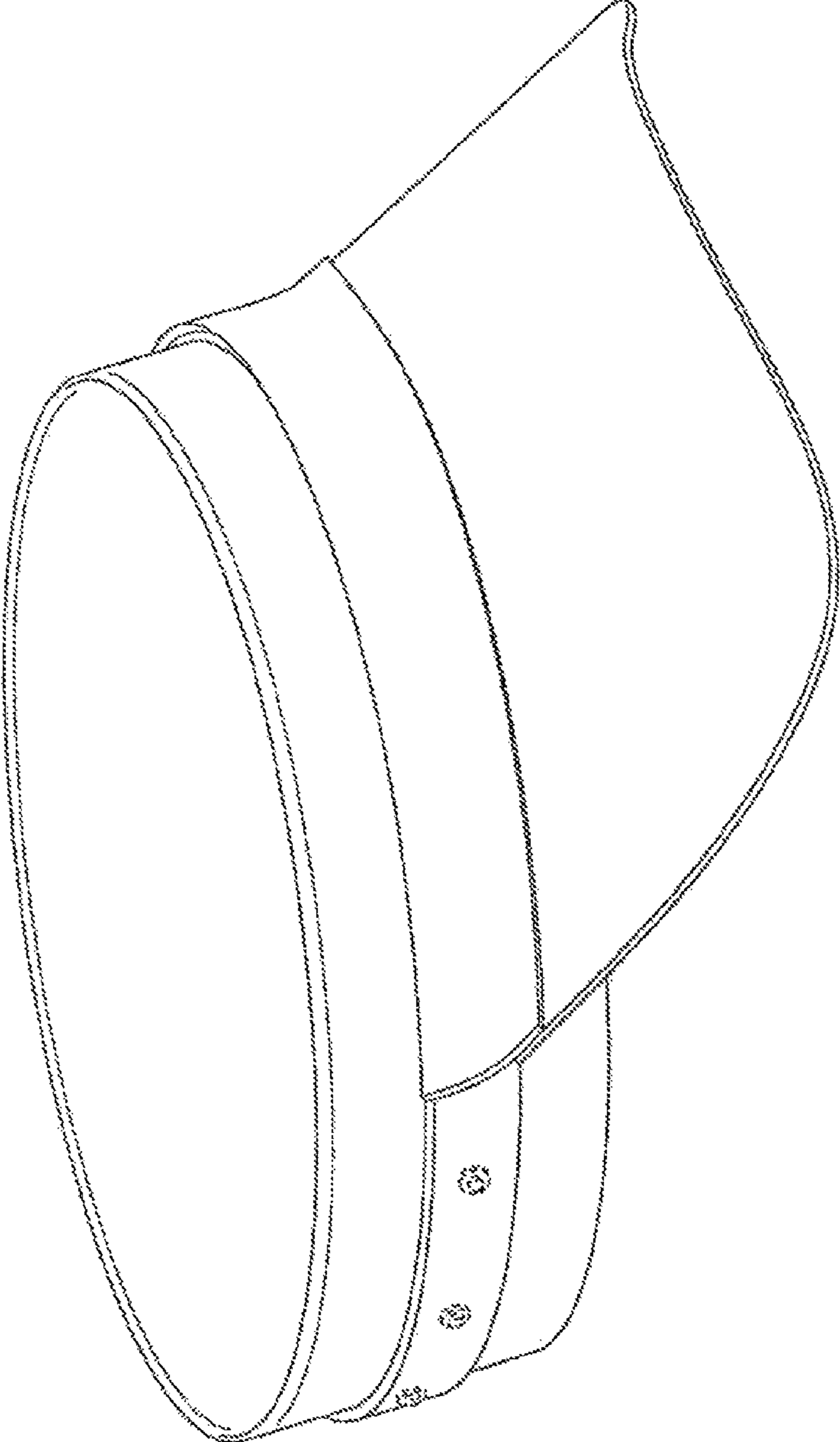


FIG. 1

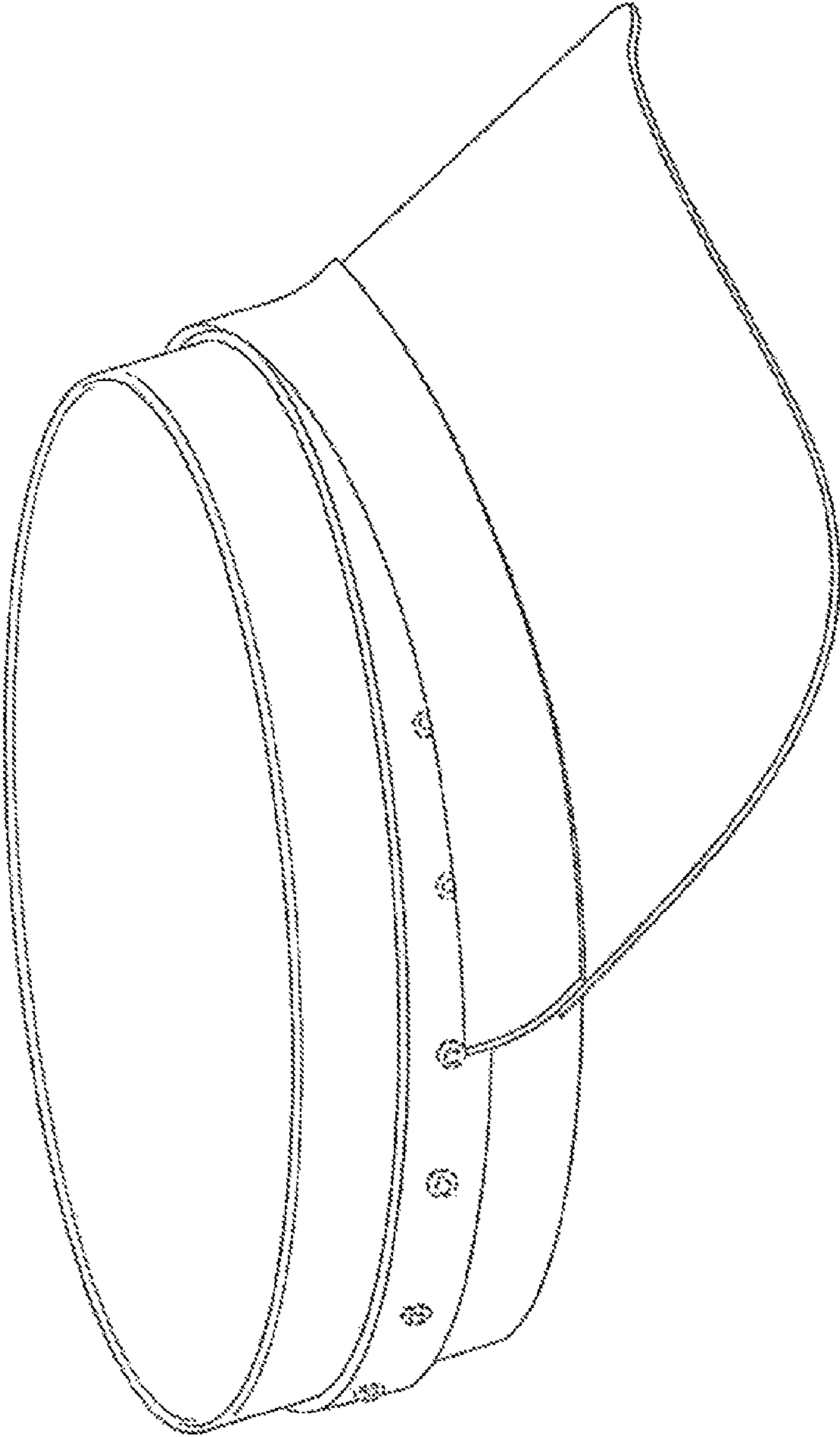


FIG. 2

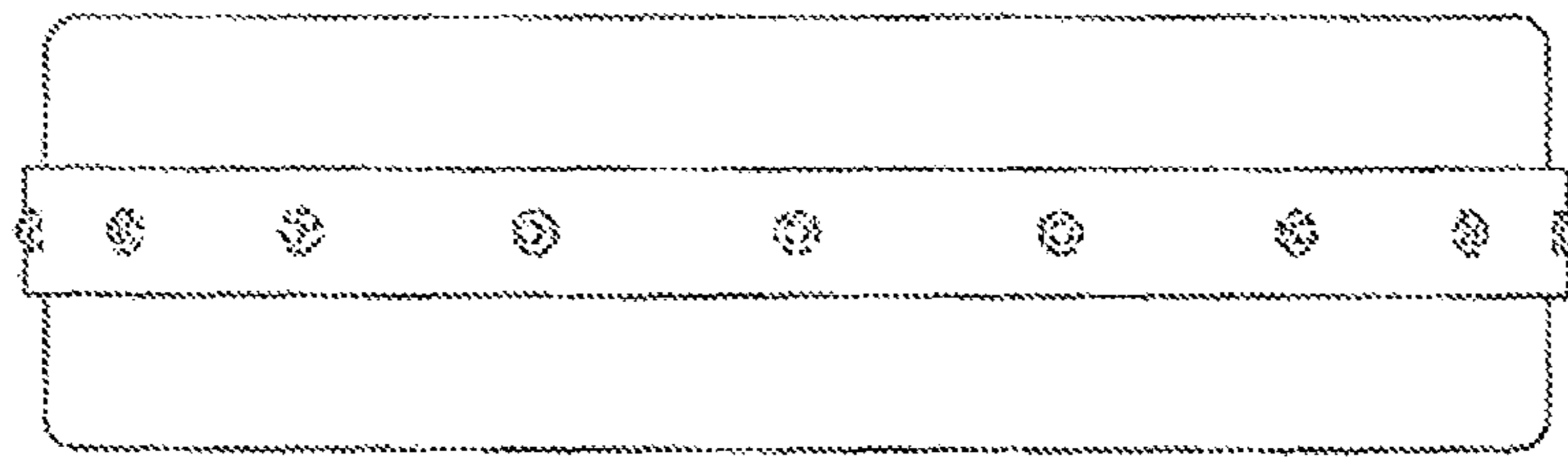


FIG. 3

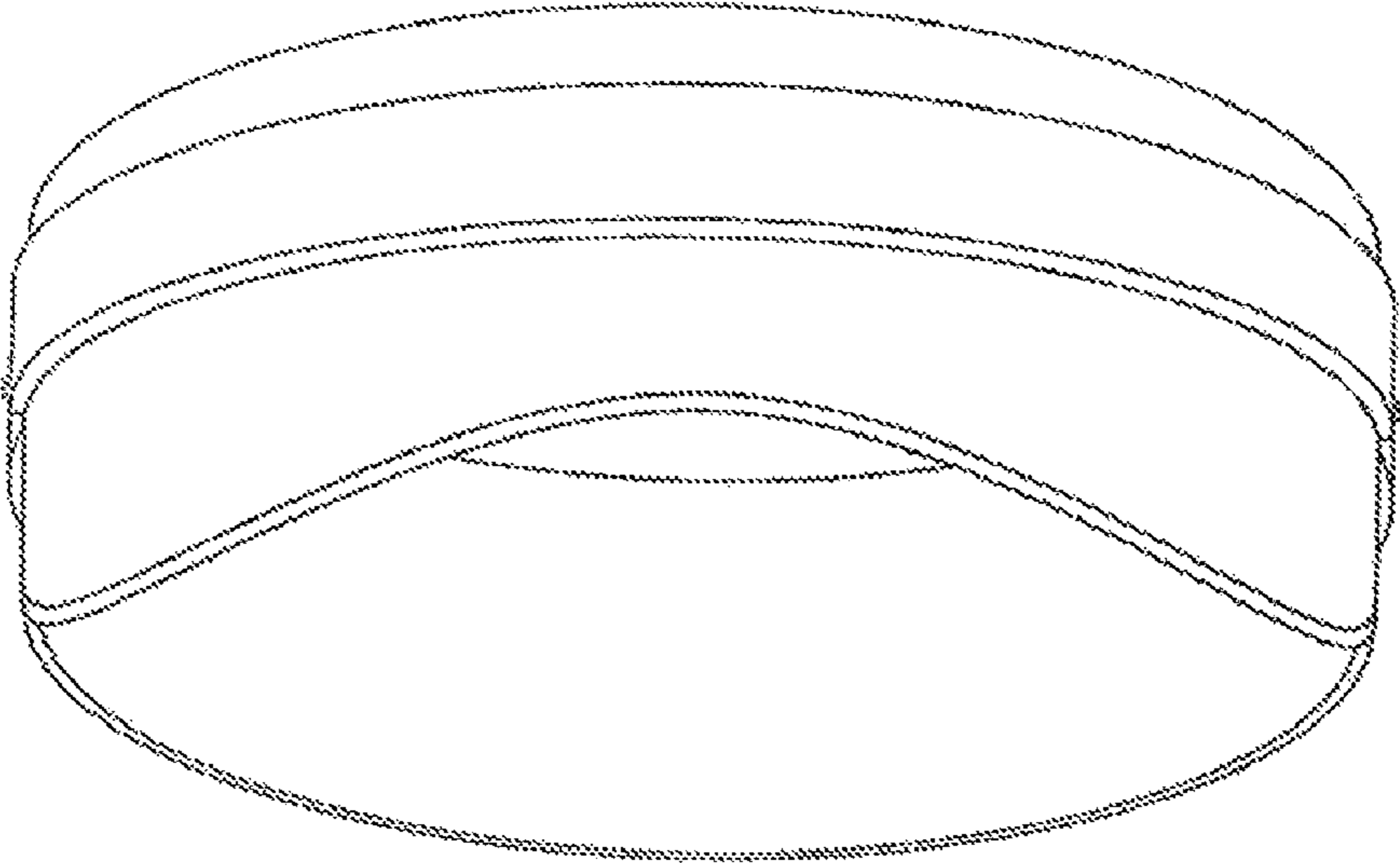


FIG. 4

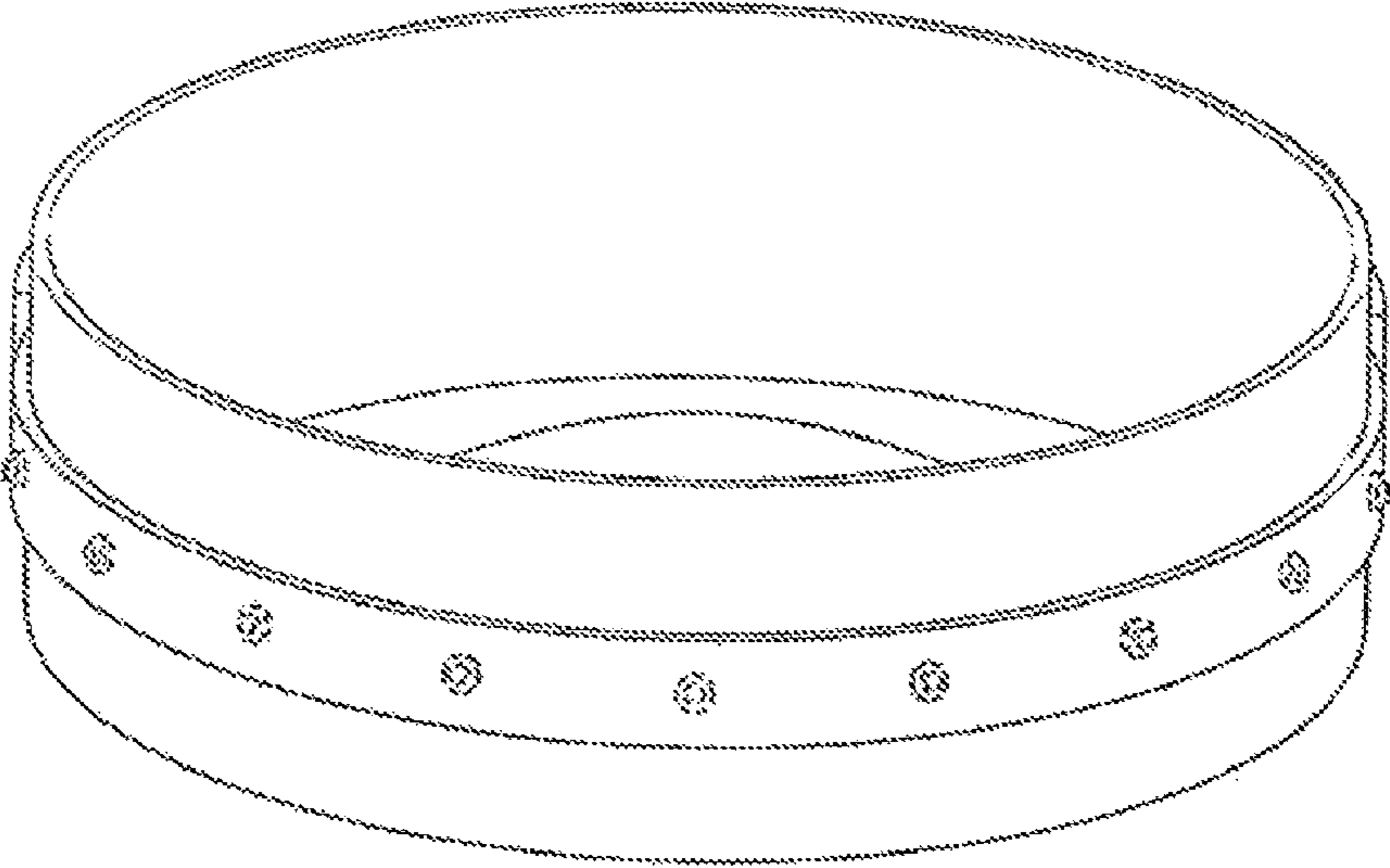


FIG. 5

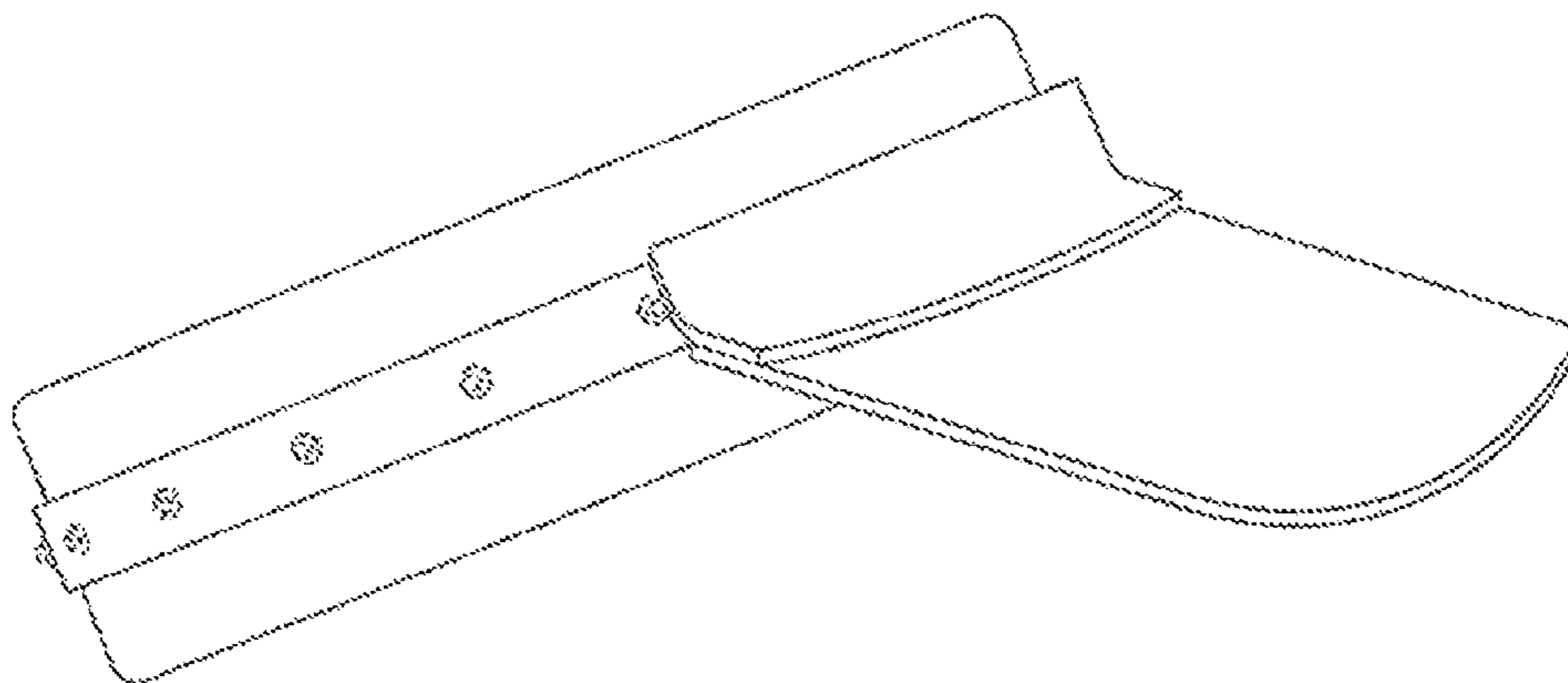


FIG. 6

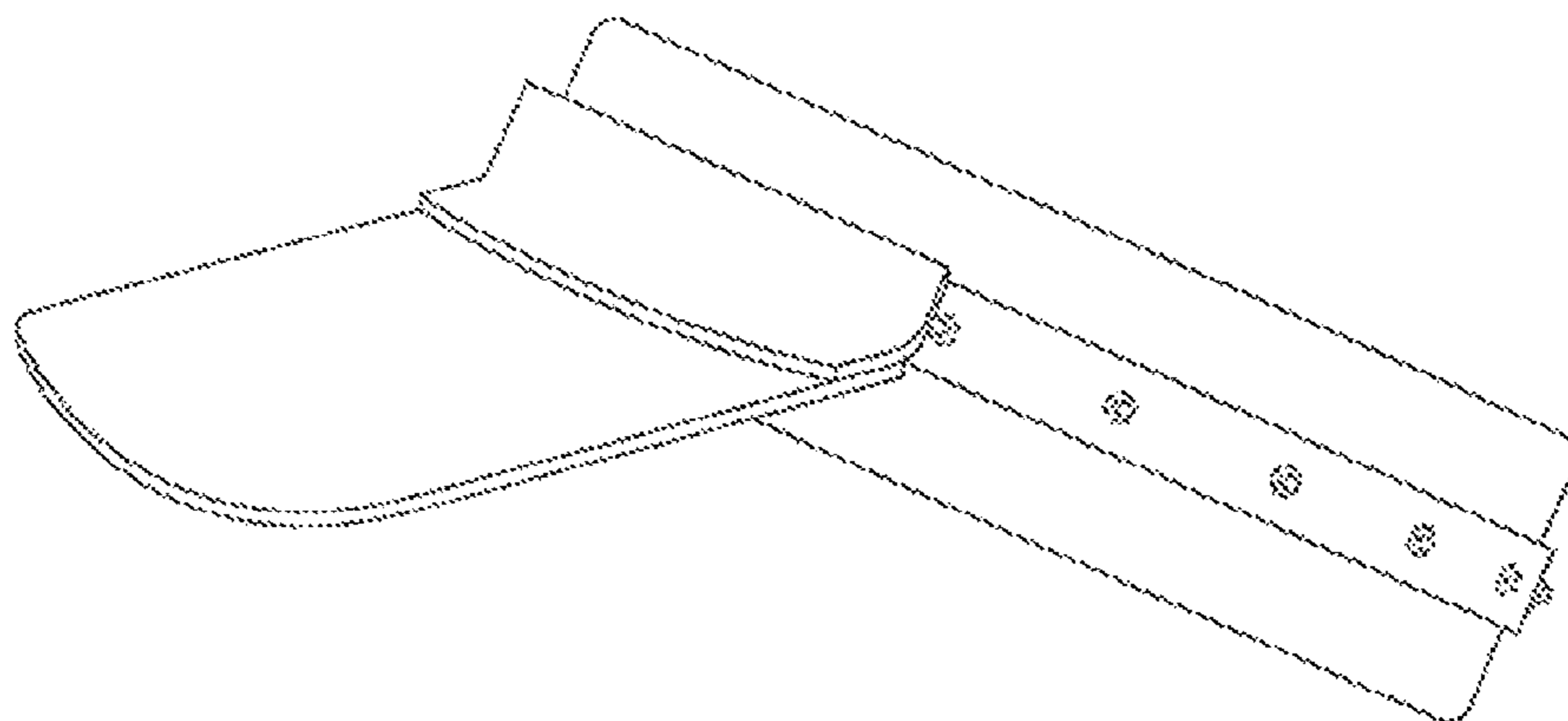


FIG. 7

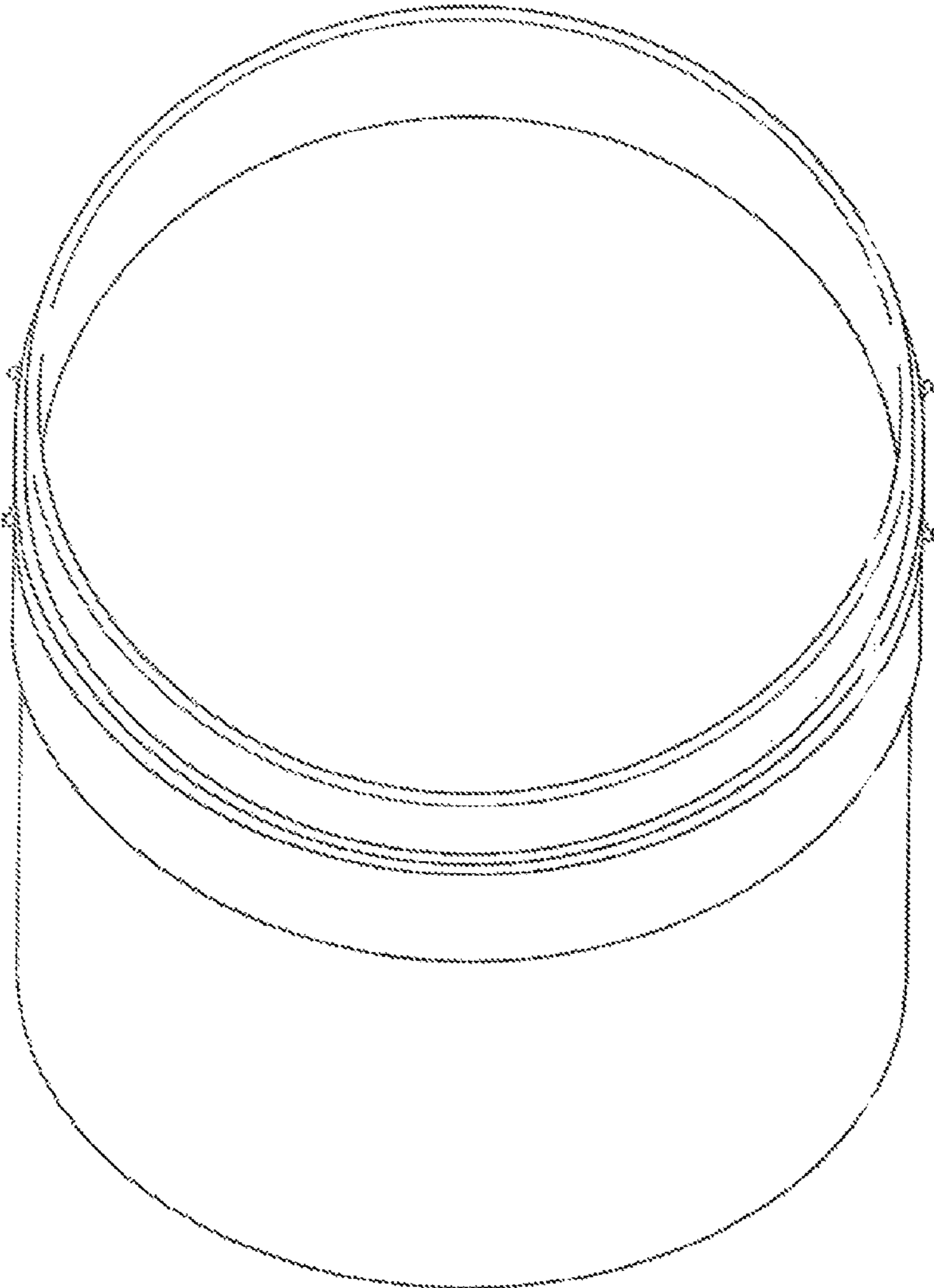


FIG. 8

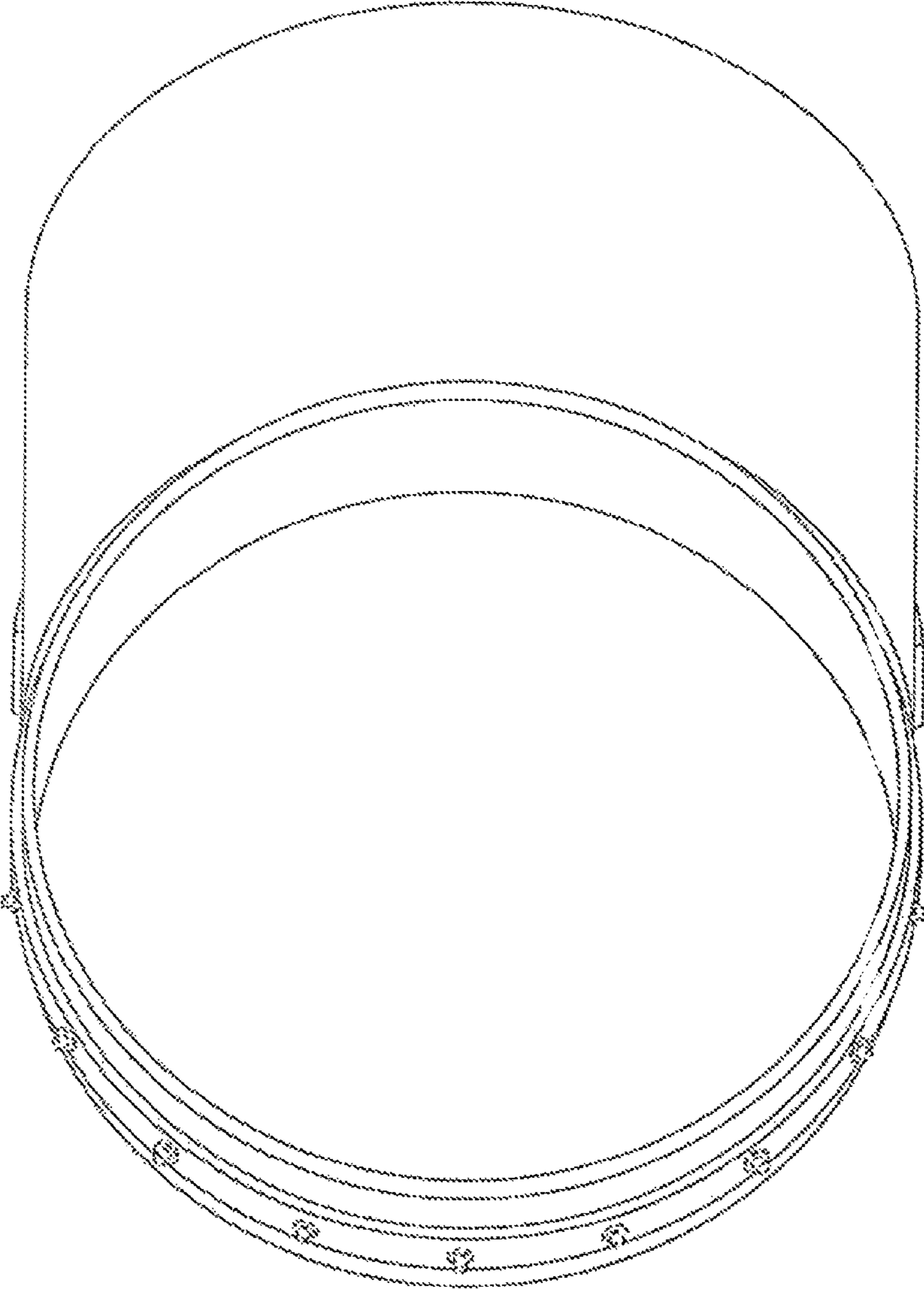


FIG. 9

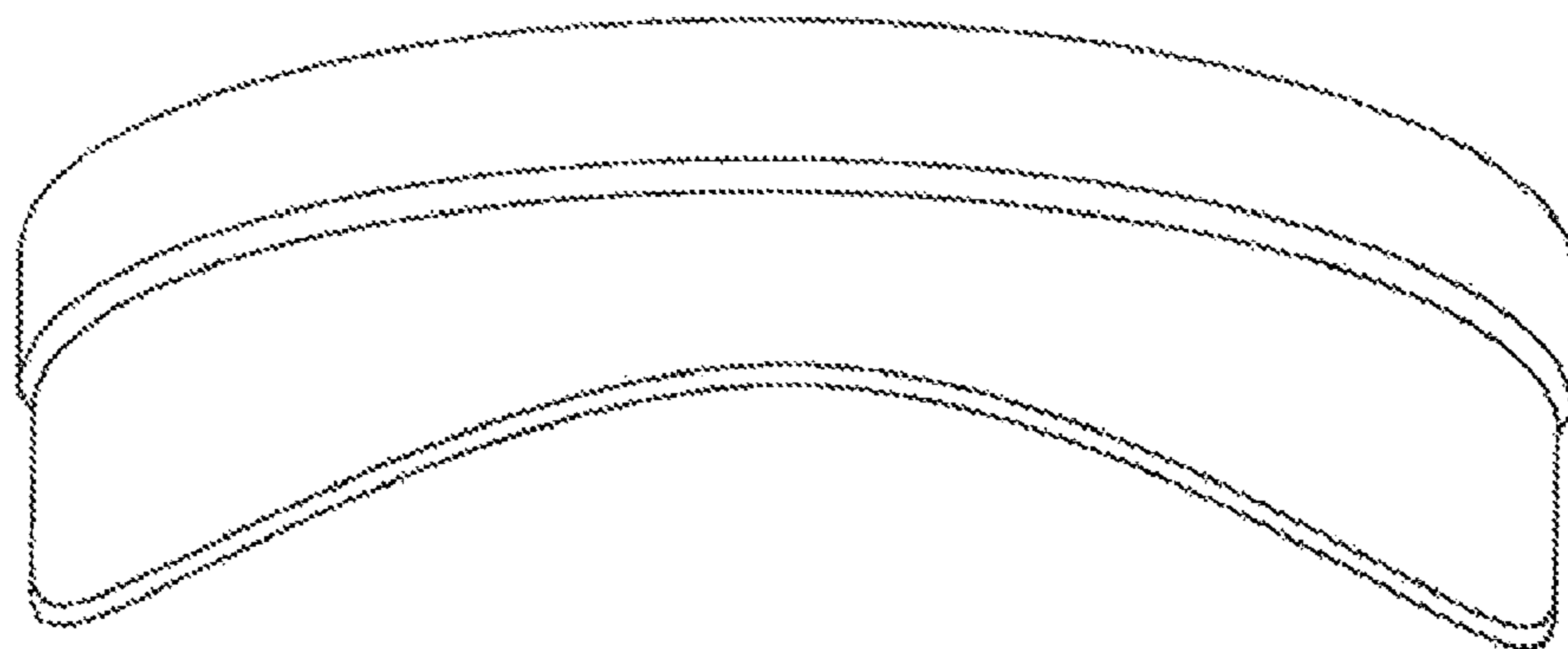


FIG. 10

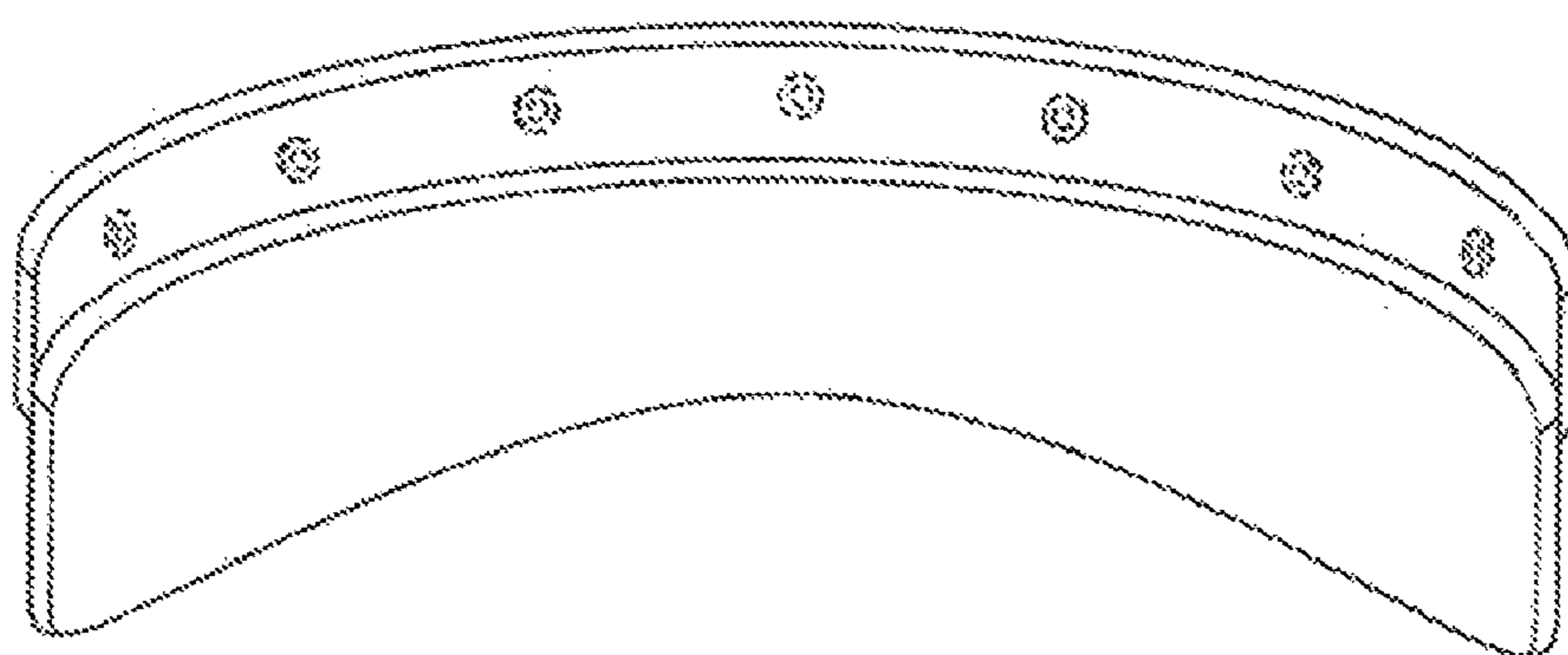


FIG. 11

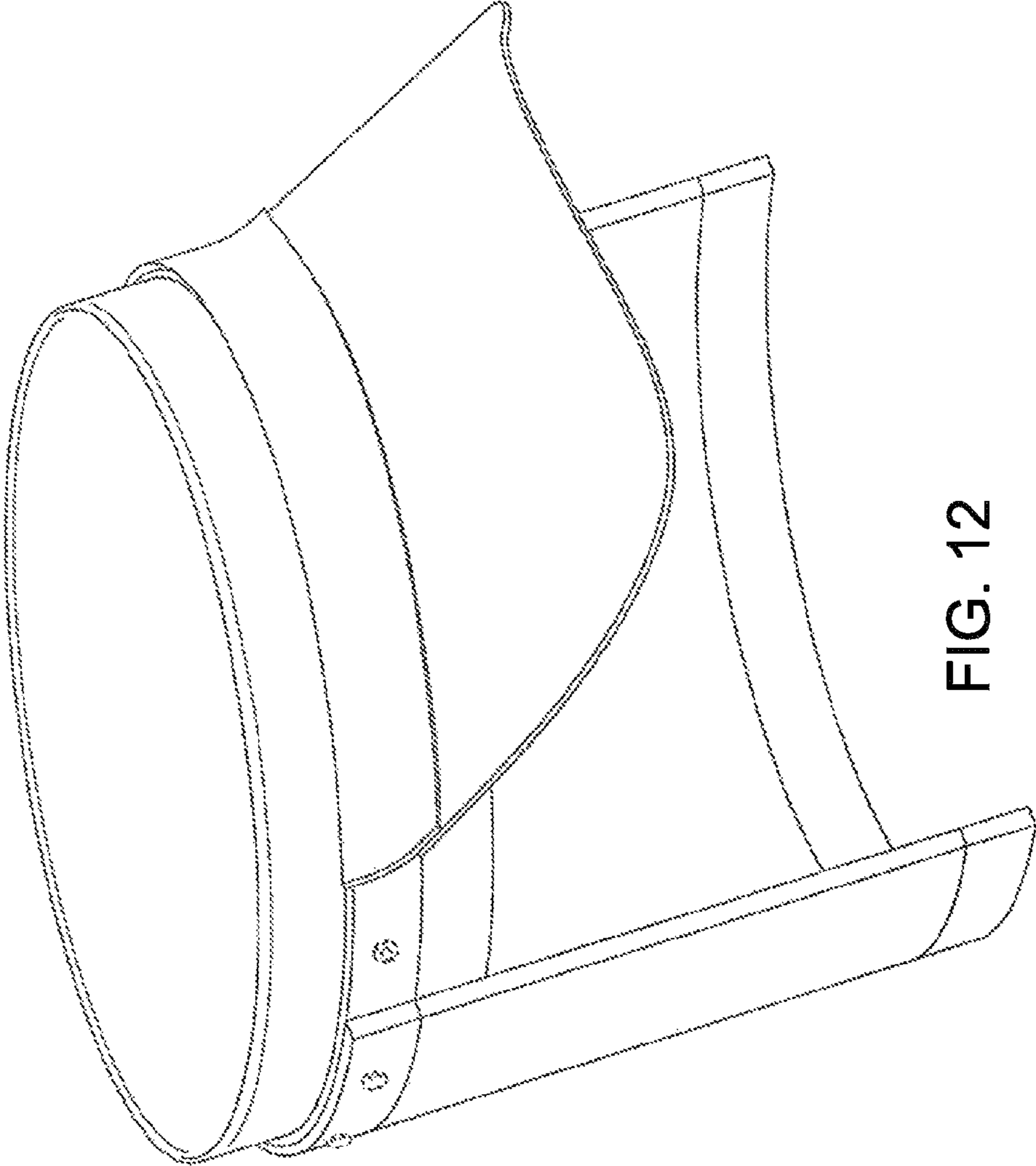


FIG. 12

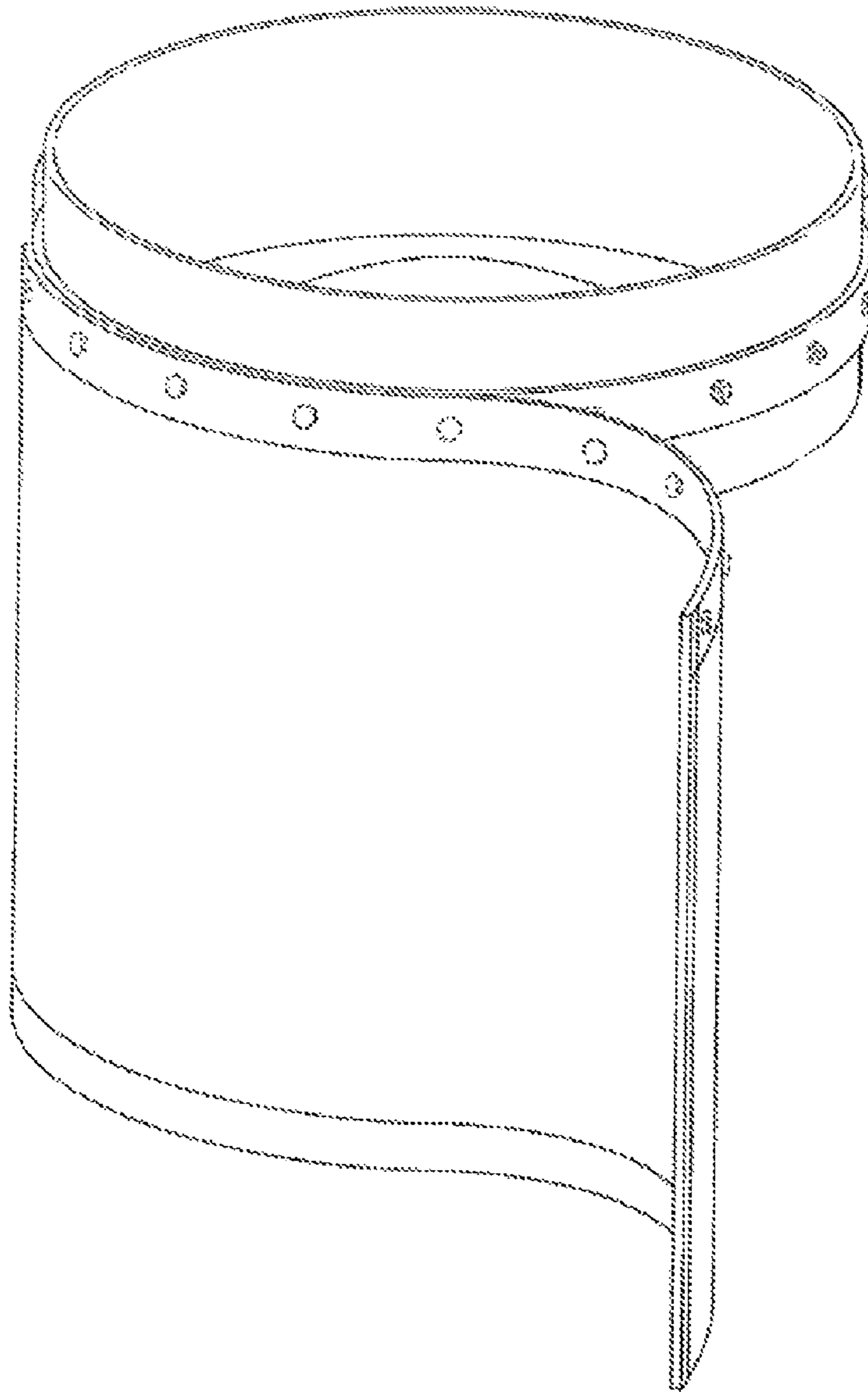


FIG. 13

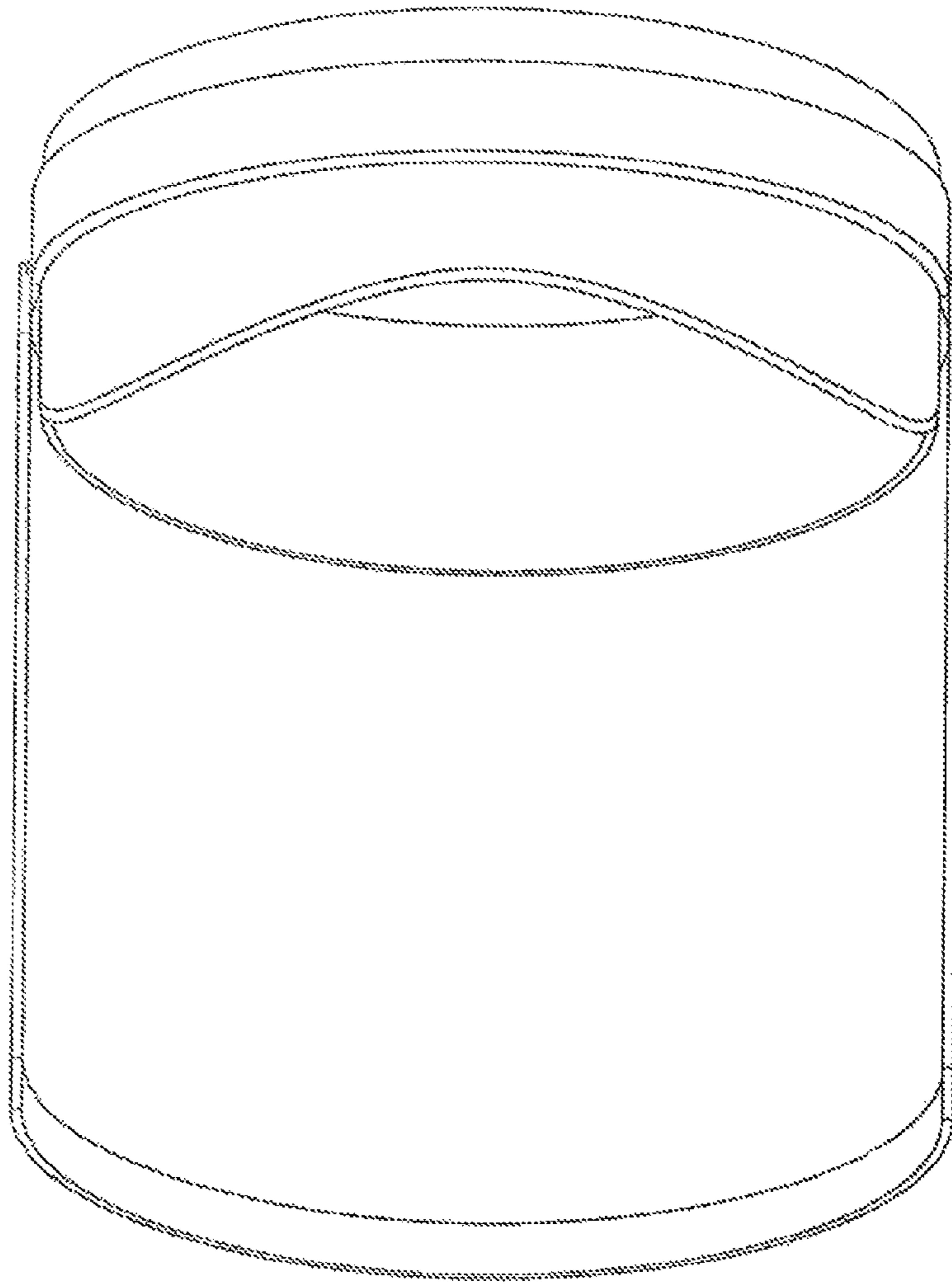


FIG. 14

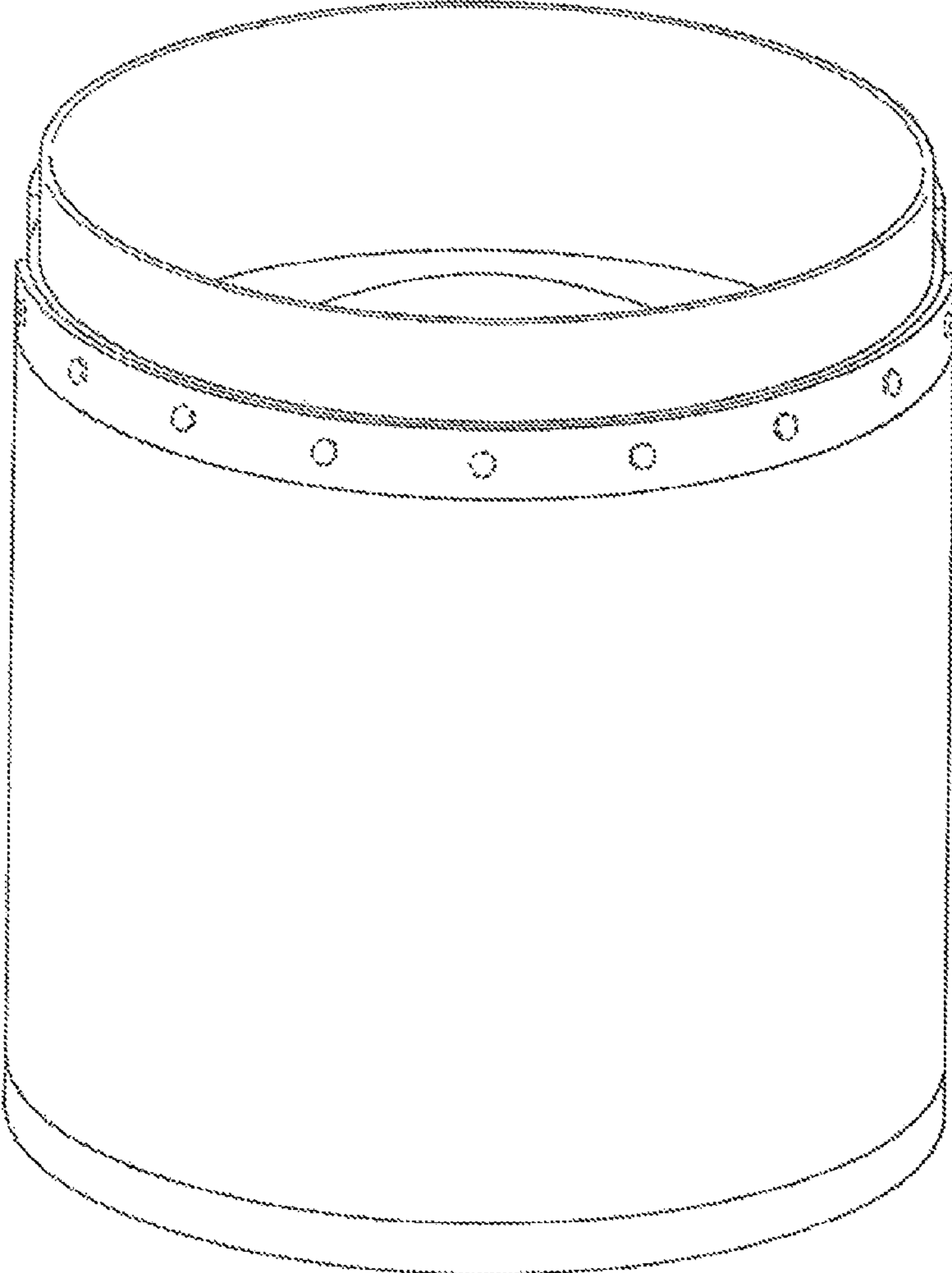


FIG. 15

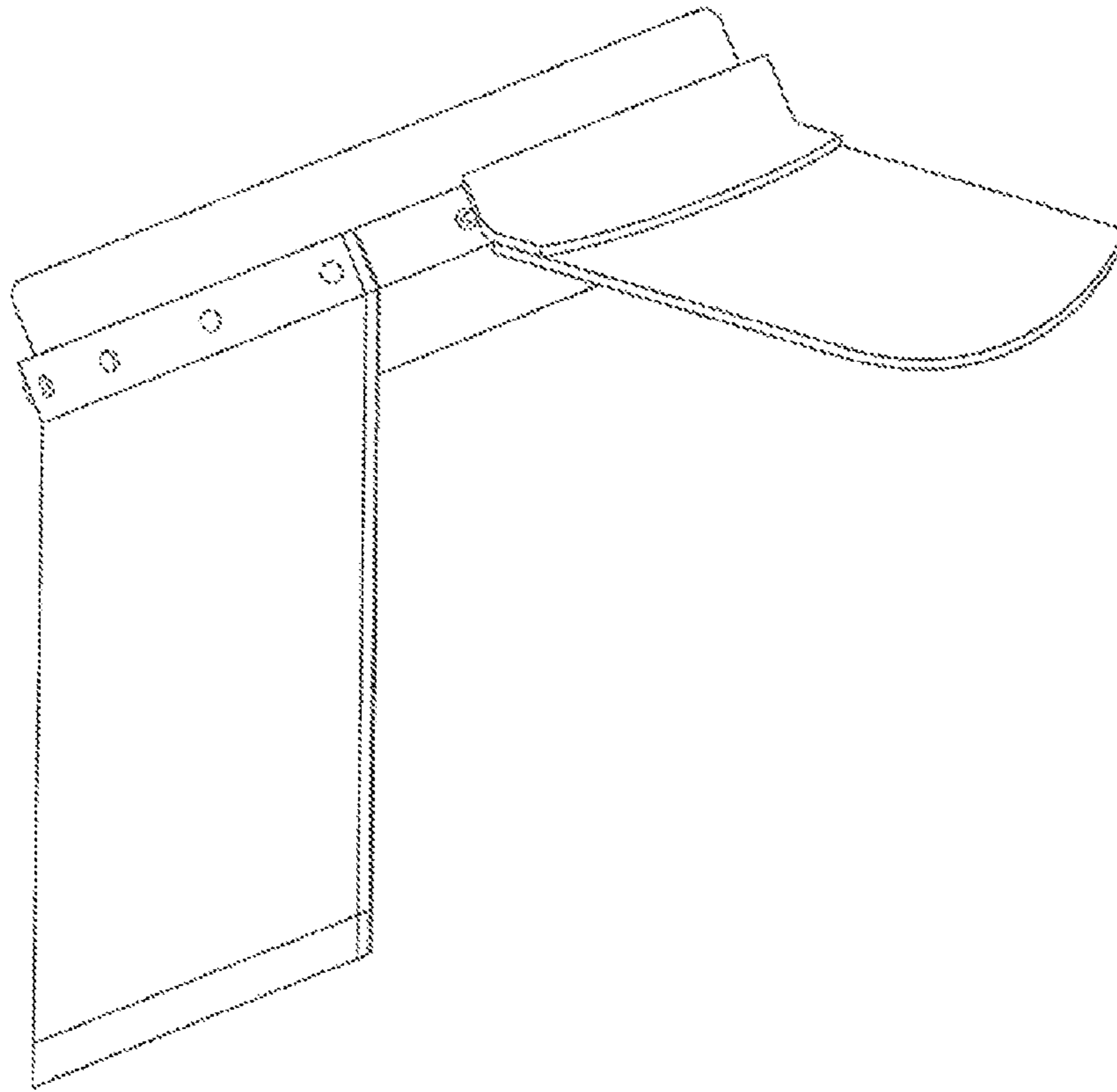


FIG. 16

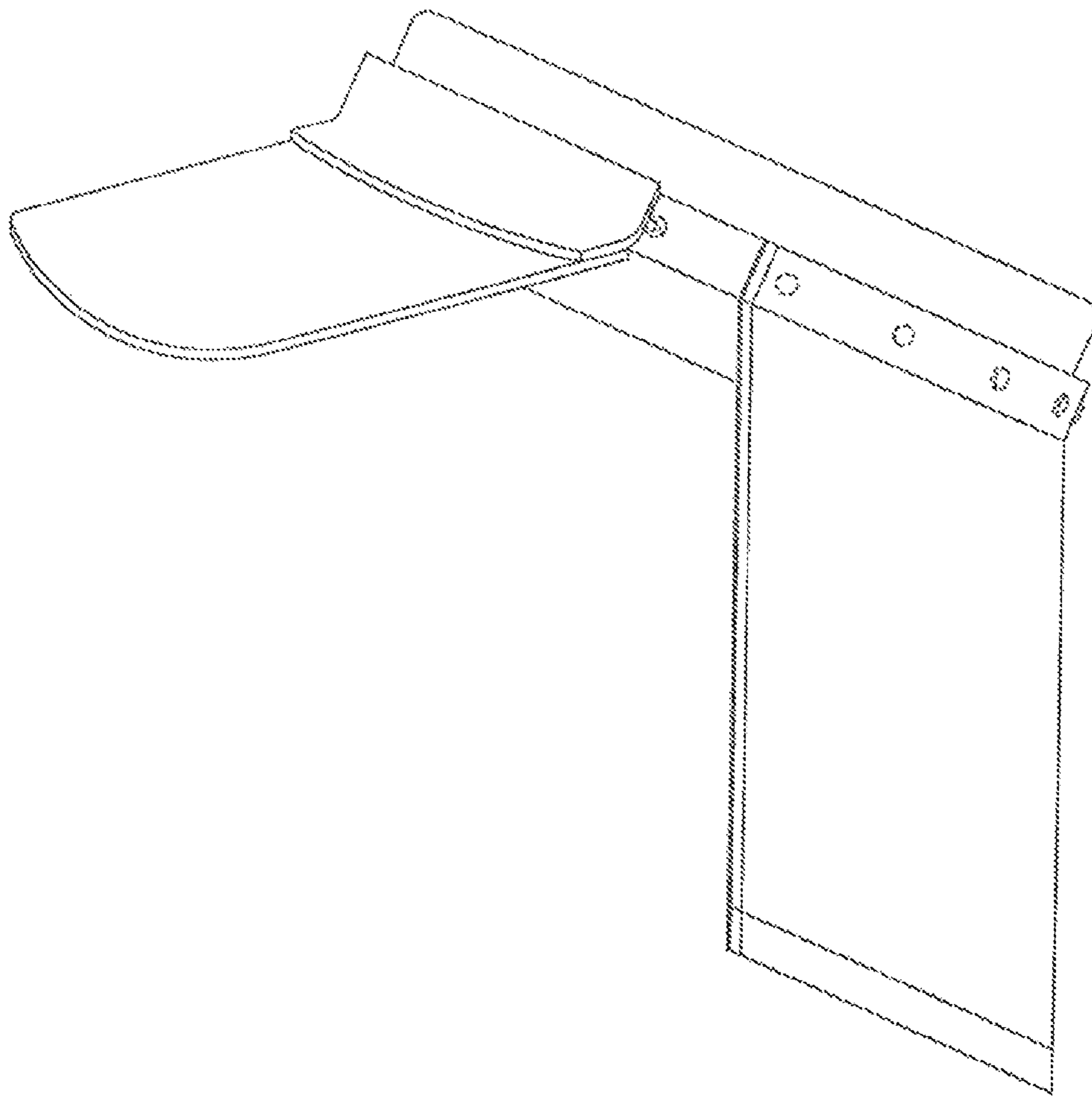


FIG. 17

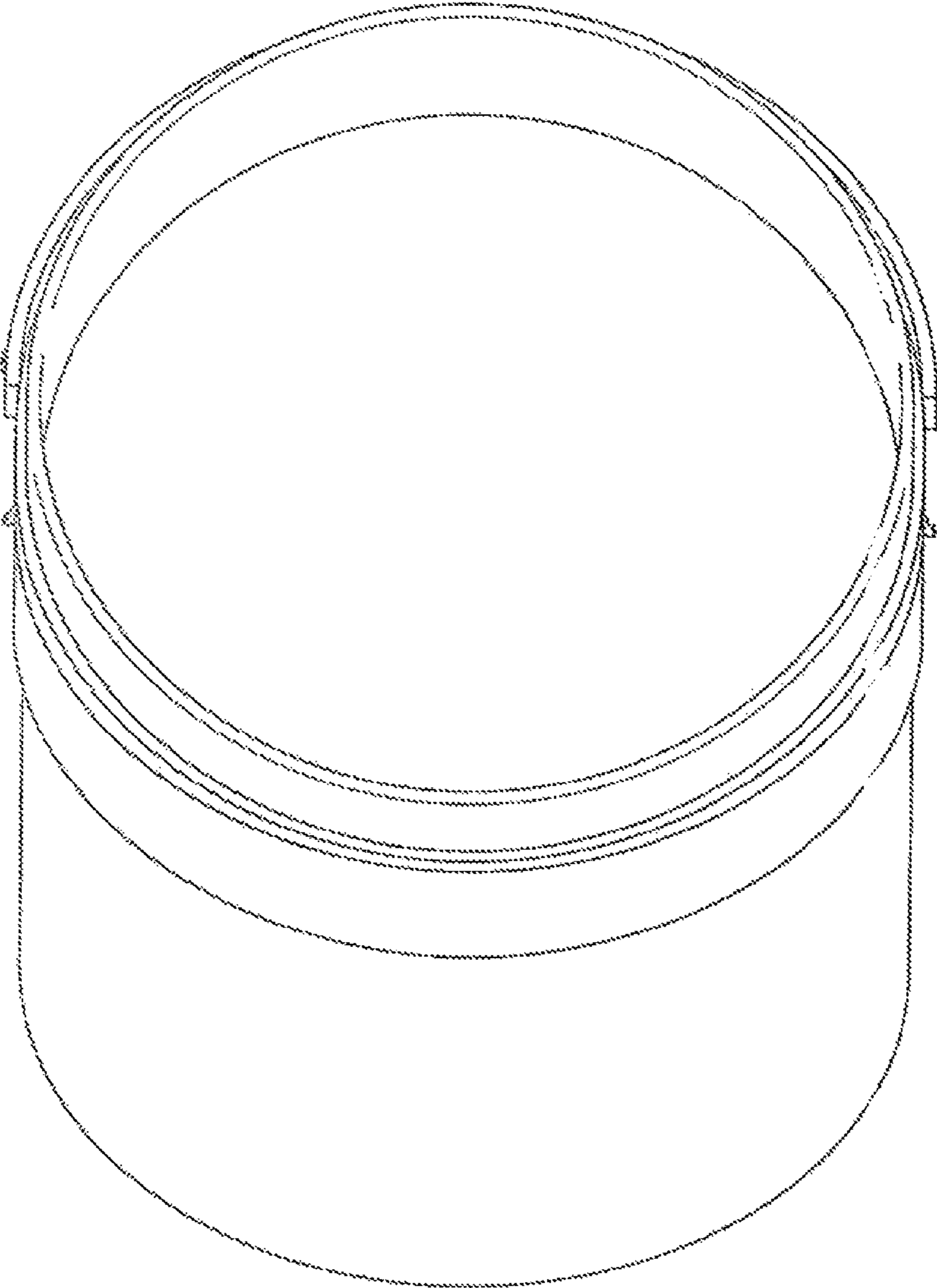


FIG. 18

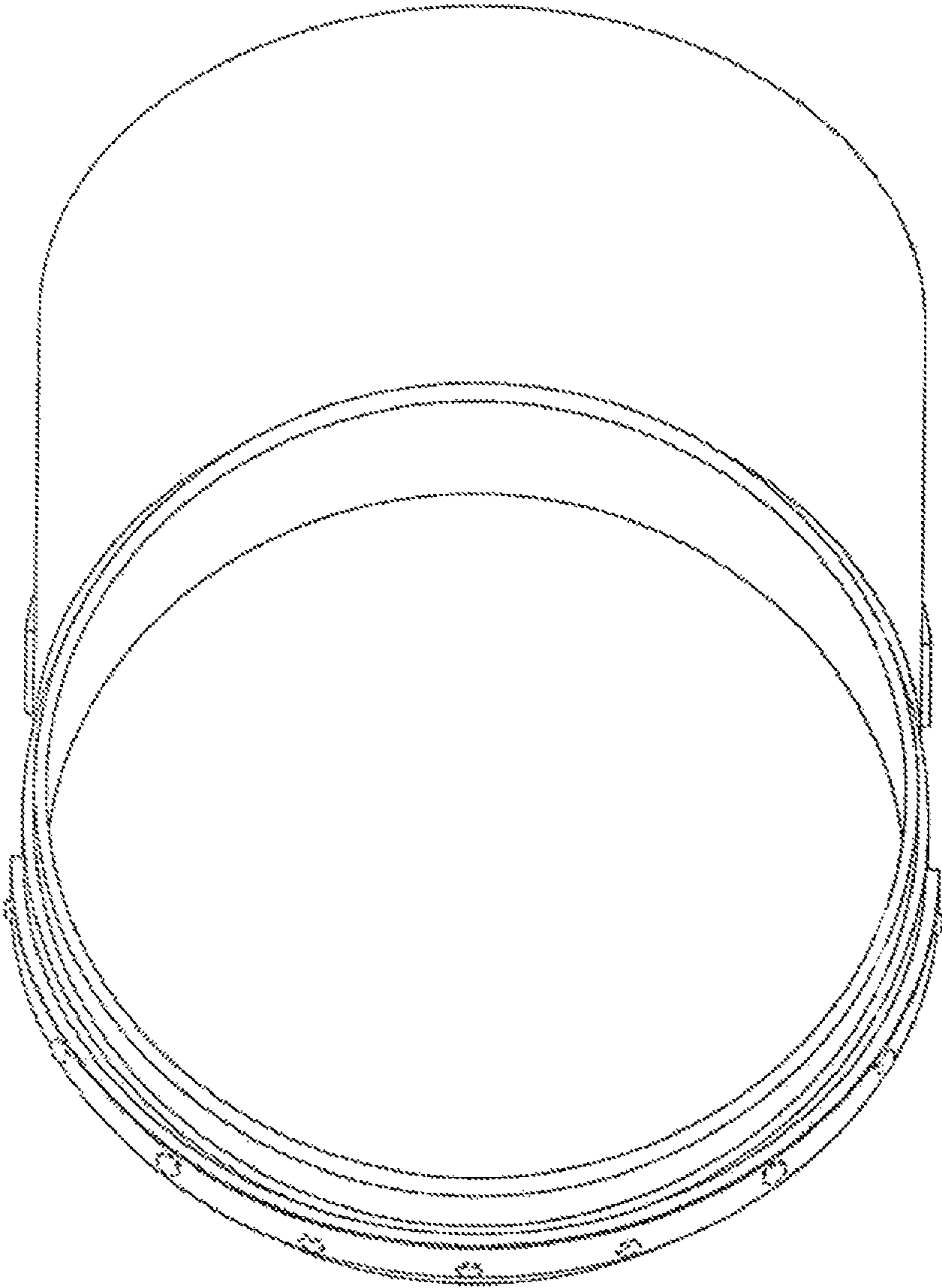


FIG. 19