



US00D673347S

(12) **United States Design Patent**
Sumpton

(10) **Patent No.:** **US D673,347 S**
(45) **Date of Patent:** **** Jan. 1, 2013**

(54) **SHORTS**

(75) Inventor: **Cara Sumpton**, Berlin (DE)

(73) Assignee: **Lululemon Athletica Canada Inc.**,
Vancouver (CA)

(**) Term: **14 Years**

(21) Appl. No.: **29/414,348**

(22) Filed: **Feb. 28, 2012**

(51) **LOC (9) Cl.** **02-02**

(52) **U.S. Cl.** **D2/738**

(58) **Field of Classification Search** D2/731,
D2/738, 742, 712; 2/79, 80, 227, 228, 234-238
See application file for complete search history.

(56) **References Cited**

U.S. PATENT DOCUMENTS

323,988	A *	8/1885	Walloch	2/79
1,883,263	A *	10/1932	Wright	2/237
2,446,326	A *	8/1948	Guithues	2/238
4,477,928	A *	10/1984	Graff	2/221
4,555,245	A *	11/1985	Armbruster	604/396
D313,692	S *	1/1991	Karn	D2/738
5,435,014	A *	7/1995	Moretz et al.	2/403
6,761,712	B2 *	7/2004	Otsubo et al.	604/396
7,000,261	B1 *	2/2006	Loffredo	2/400
D591,928	S *	5/2009	Kirsch et al.	D2/712
2004/0031088	A1 *	2/2004	Soderstrom	2/227
2010/0058517	A1 *	3/2010	Perolari	2/404
2011/0107495	A1 *	5/2011	Moore et al.	2/67

* cited by examiner

Primary Examiner — Rashida Johnson

(74) *Attorney, Agent, or Firm* — McCarthy Tetrault LLP

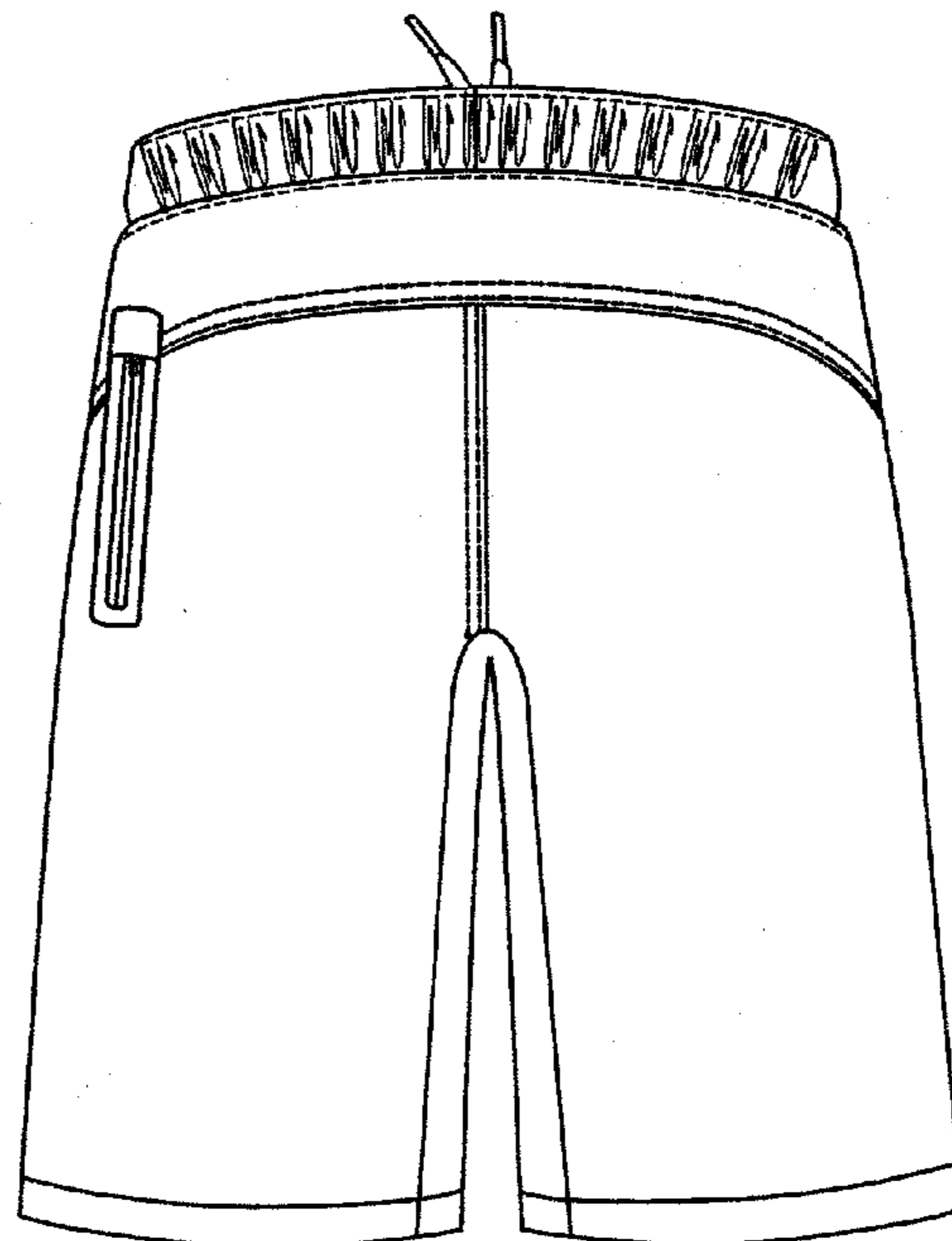
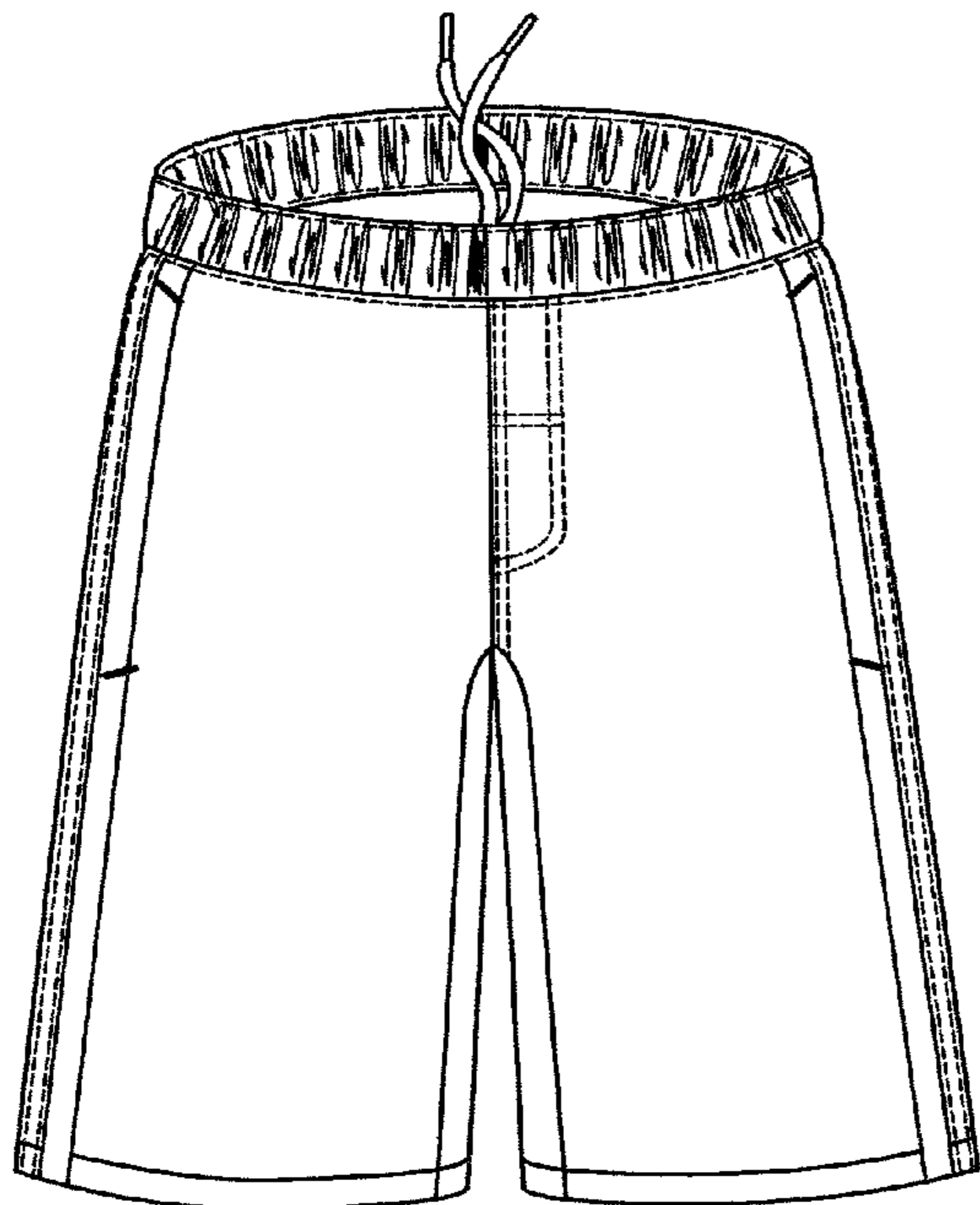
(57) **CLAIM**

The ornamental design for shorts, as shown and described.

DESCRIPTION

FIG. 1 is a front view of shorts according to a first embodiment of the design;
 FIG. 2 is a rear view thereof;
 FIG. 3 is a right side view thereof;
 FIG. 4 is a left side view thereof;
 FIG. 5 is a first cross sectional view thereof taken along line 5-5 in FIG. 3;
 FIG. 6 is a second cross sectional view thereof taken along line 6-6 in FIG. 4;
 FIG. 7 is a top view thereof;
 FIG. 8 is a front perspective view thereof;
 FIG. 9 is a rear view of shorts according to a second embodiment of the design, the front, left side, first cross sectional, second cross sectional, and top views being the same as FIGS. 1 and 4-7, respectively;
 FIG. 10 is a right side view thereof;
 FIG. 11 is a front perspective view thereof;
 FIG. 12 is a front view of shorts according to a third embodiment of the design, the rear, right side, and left side views being the same as FIGS. 2-4, respectively; and,
 FIG. 13 is a front view of shorts according to a fourth embodiment of the design, the left side, rear, and right side views being the same as FIGS. 4 and 9-10, respectively.
 The broken lines shown in the drawings represent stitching. The symbol depicted in FIGS. 9-11 forming part of the claimed design is a registered trademark of Lululemon Athletica Canada Inc.

1 Claim, 13 Drawing Sheets



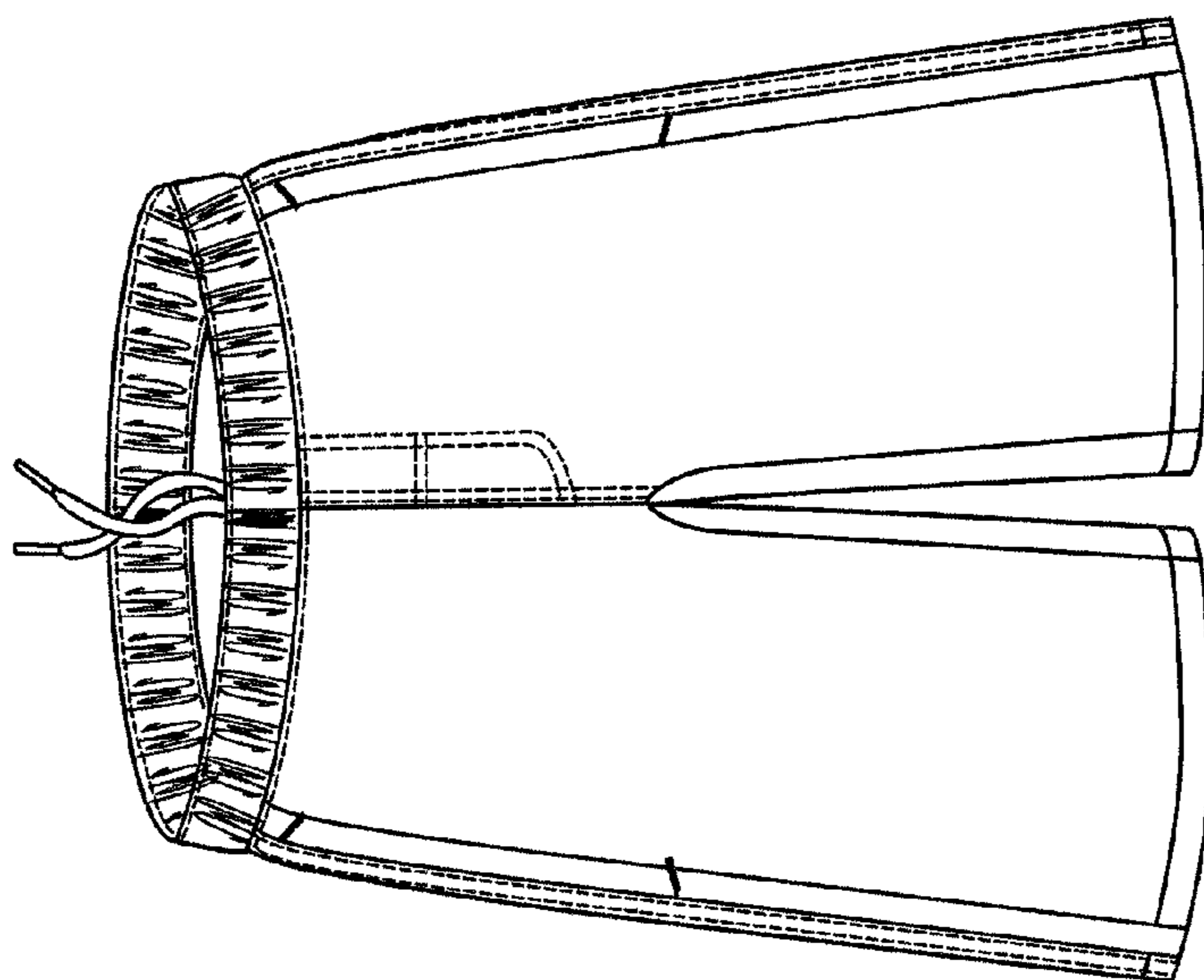


FIG 1

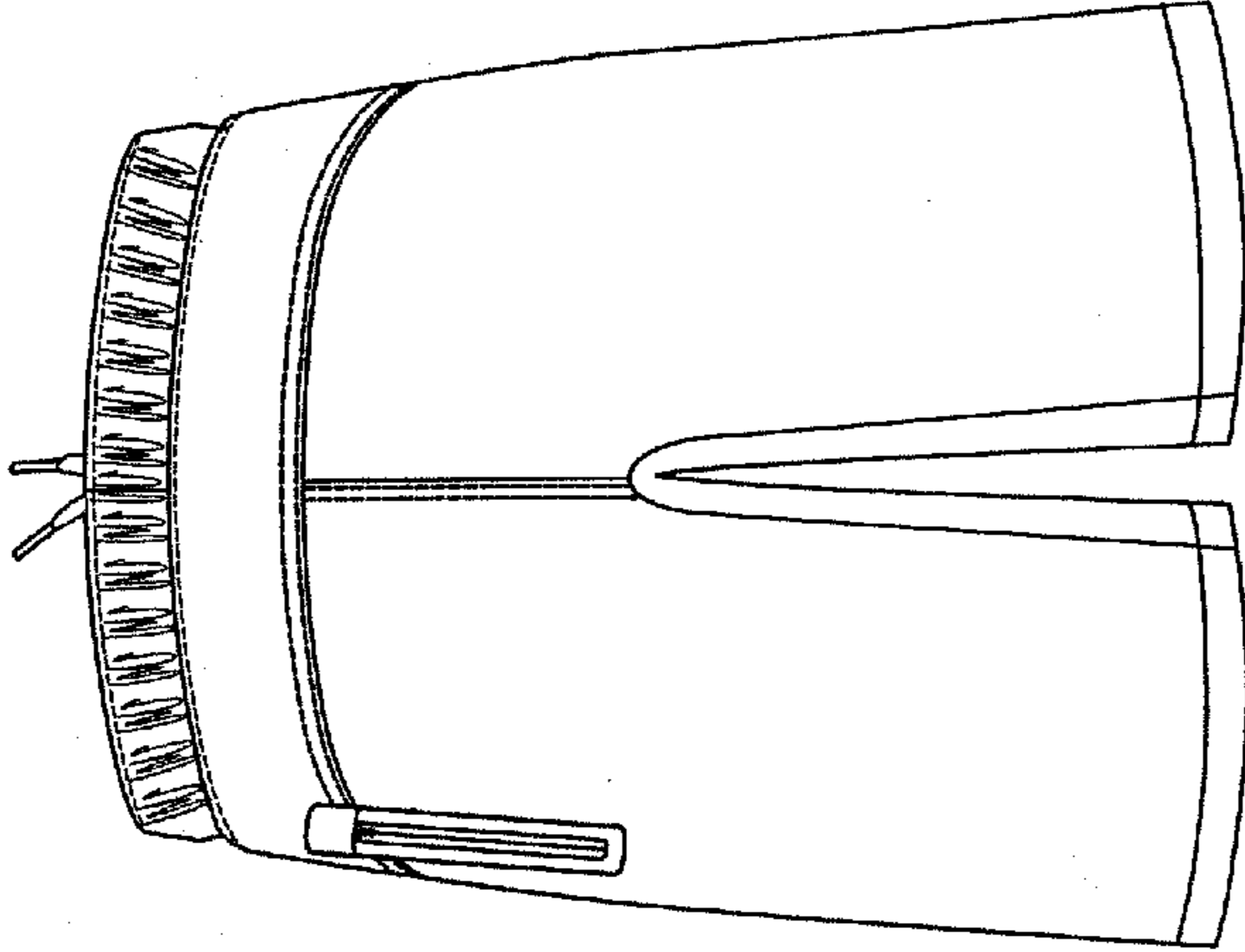


FIG 2

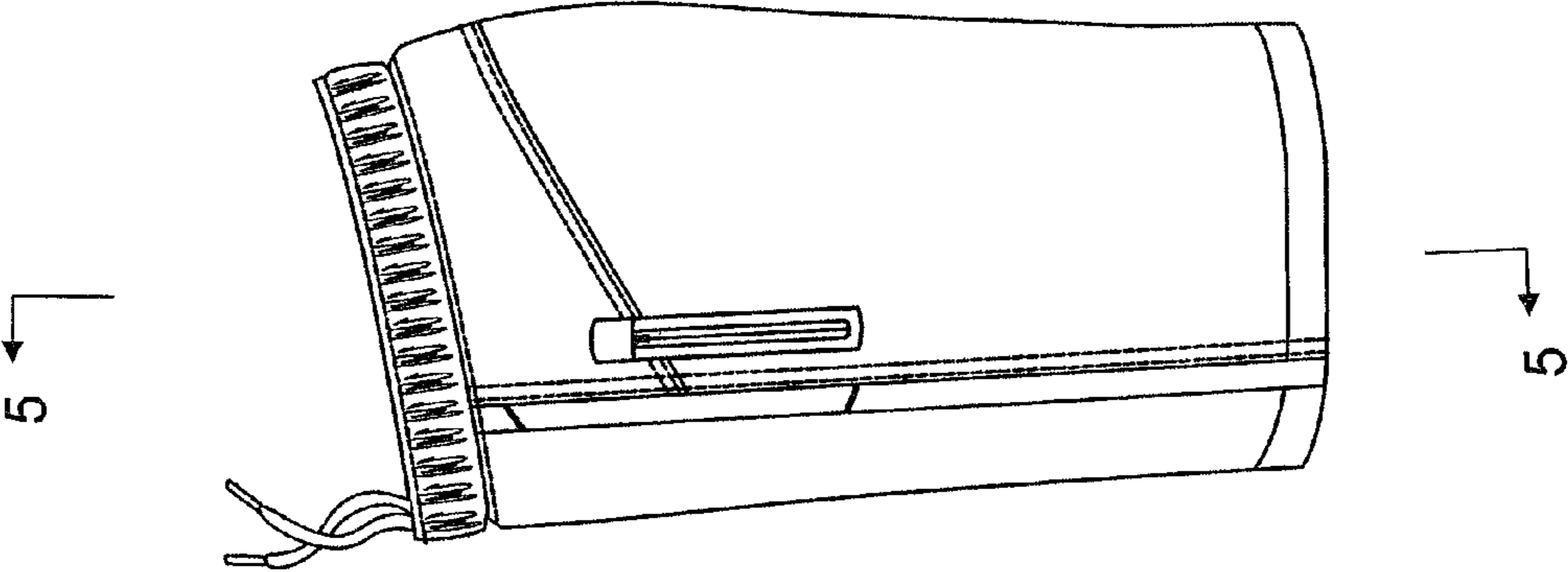


FIG 3

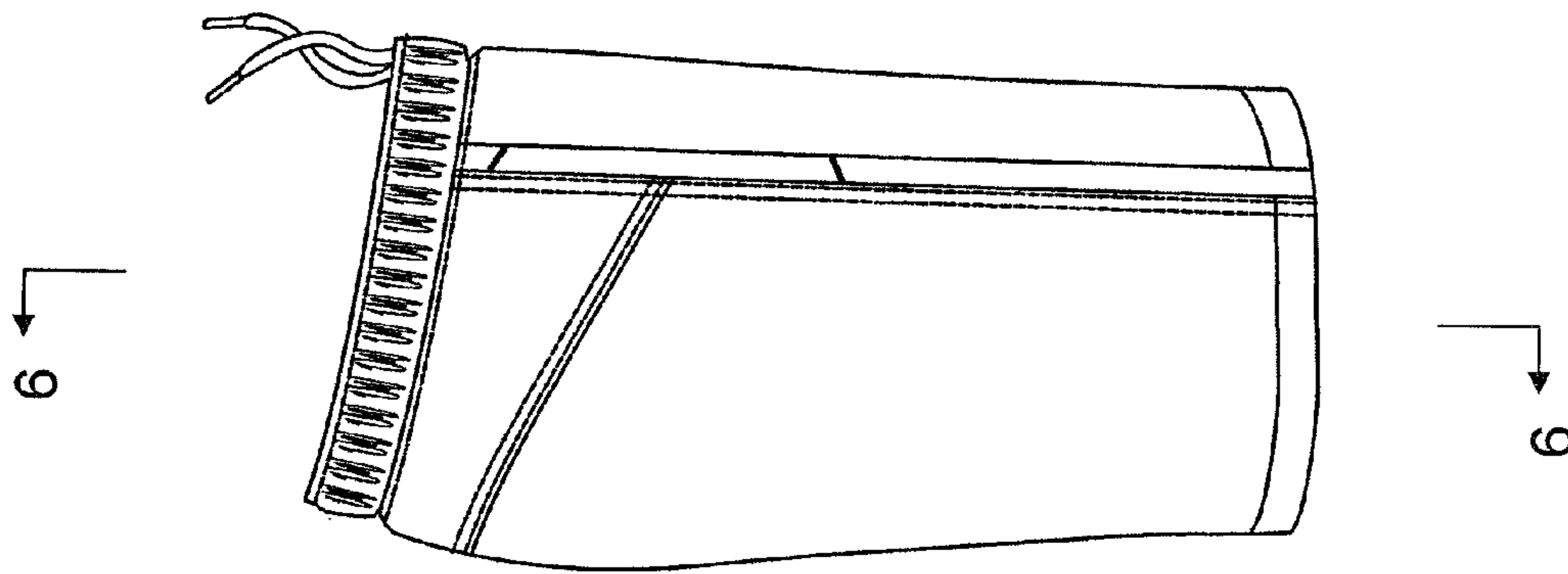


FIG 4

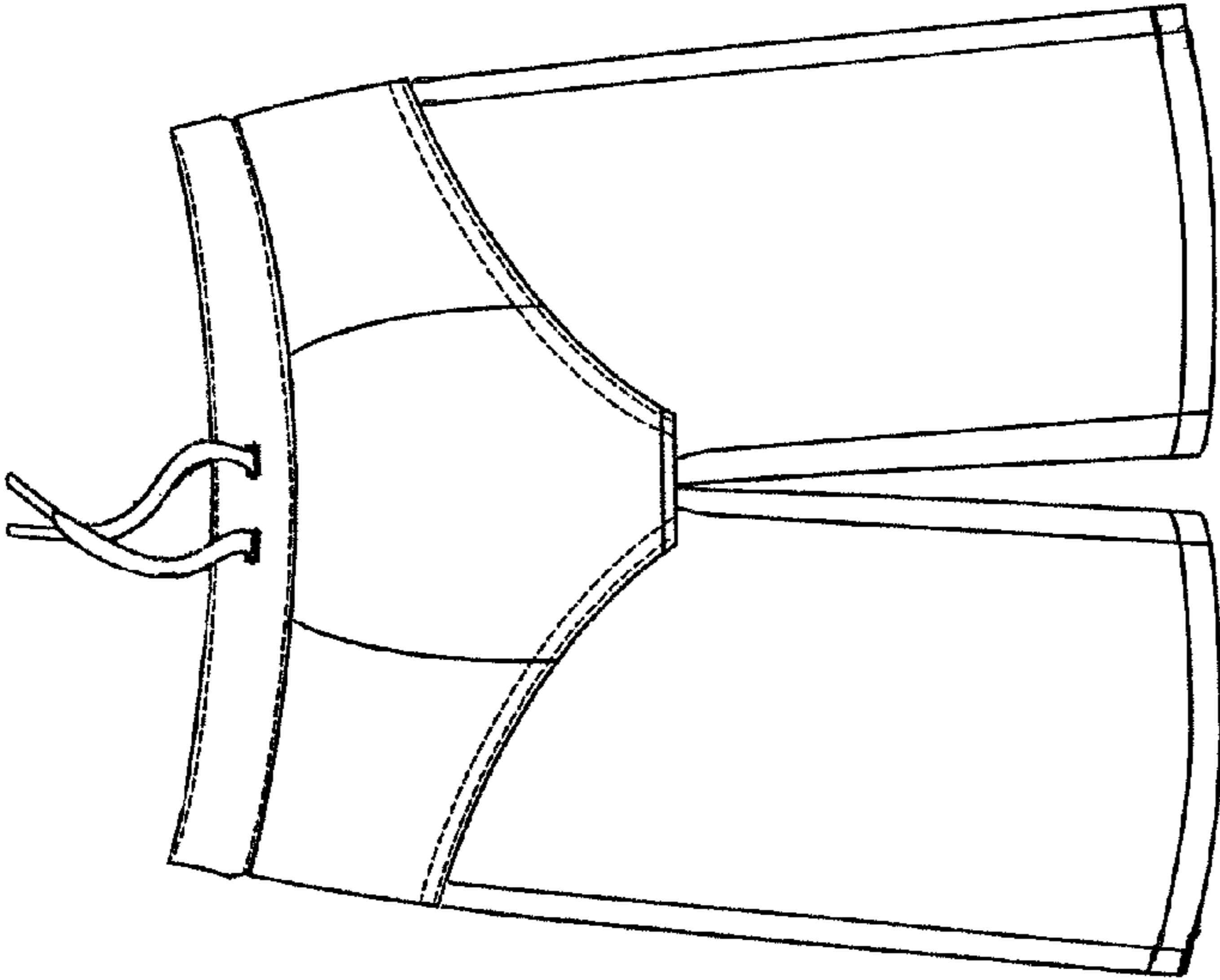


FIG 5

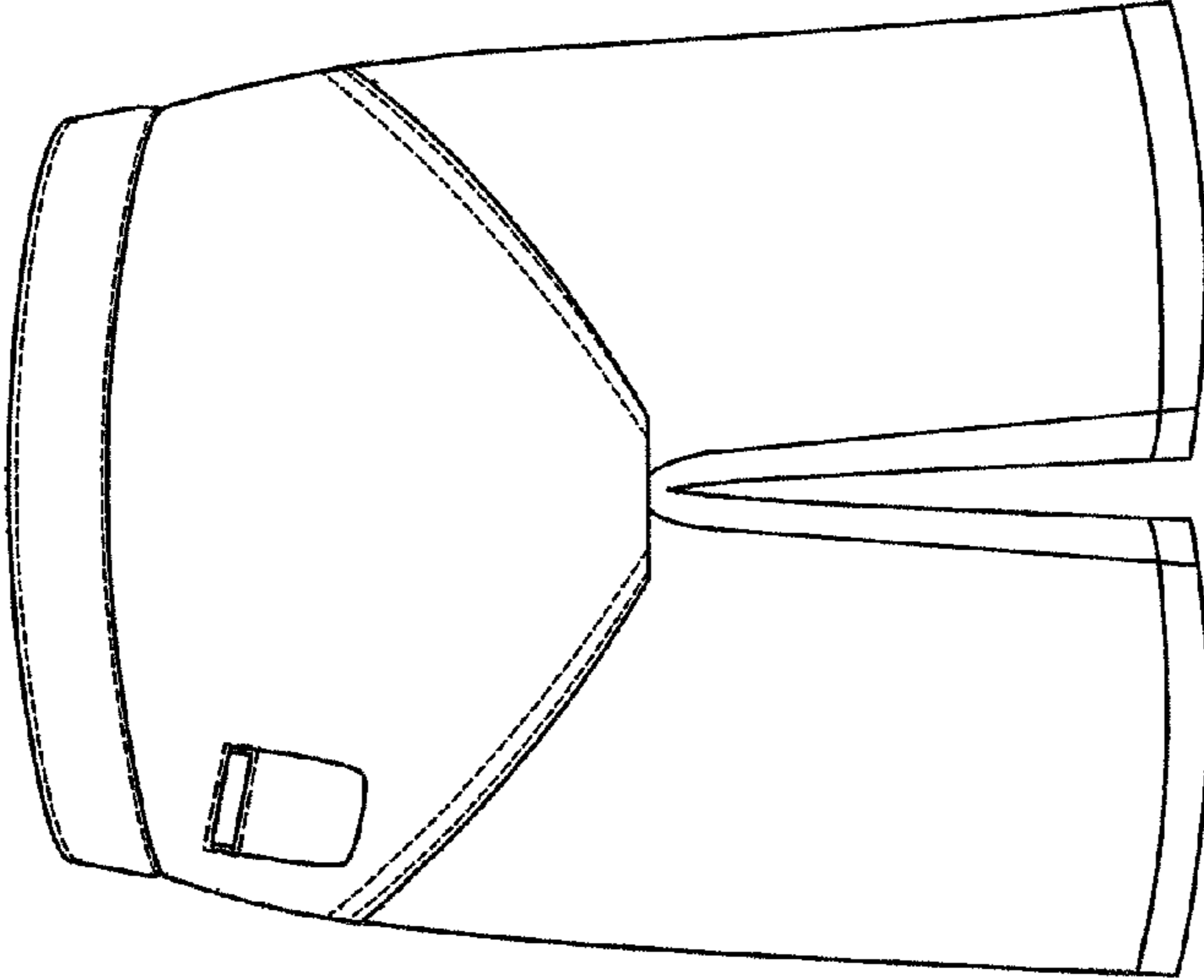


FIG 6

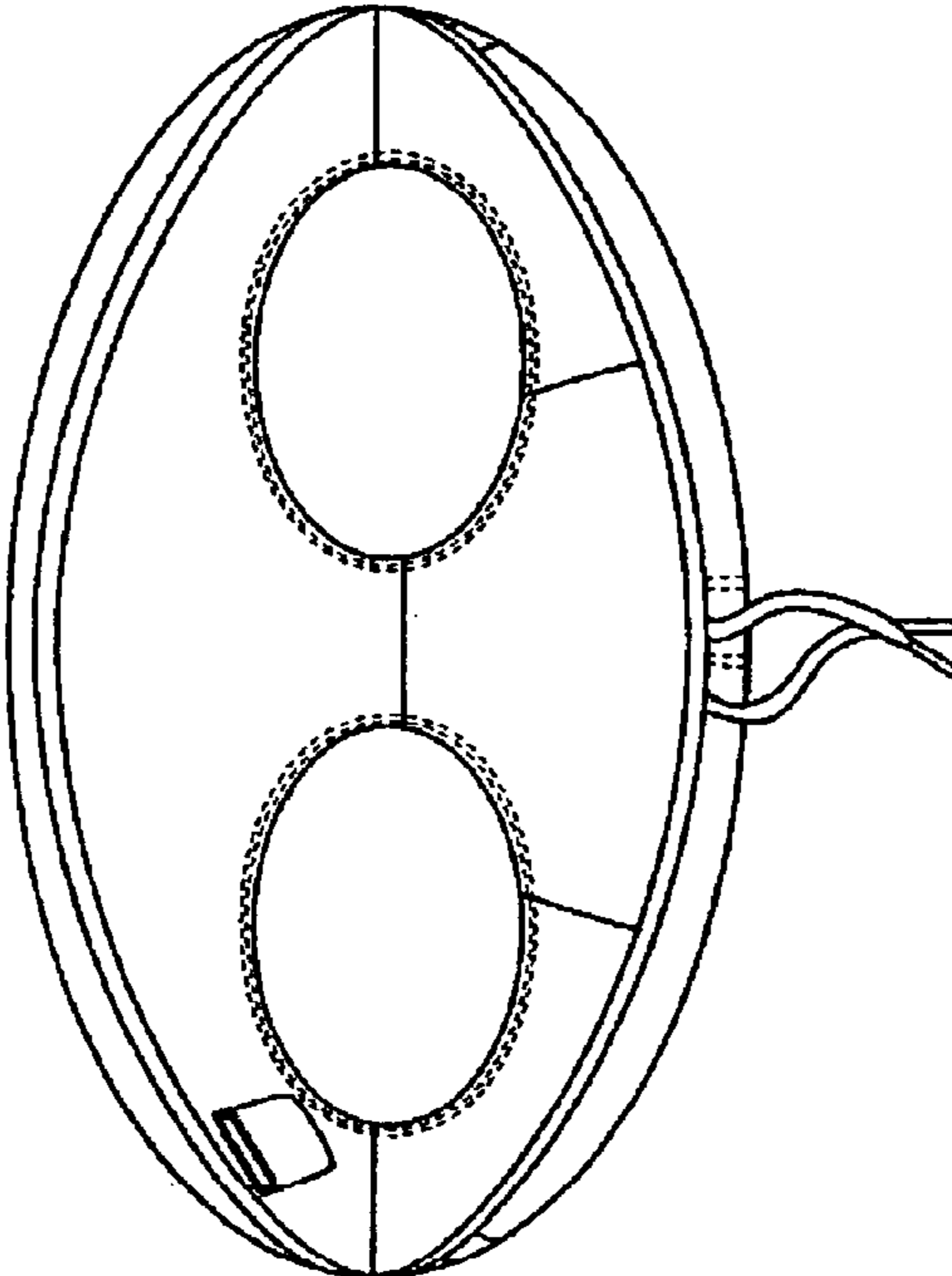


FIG 7

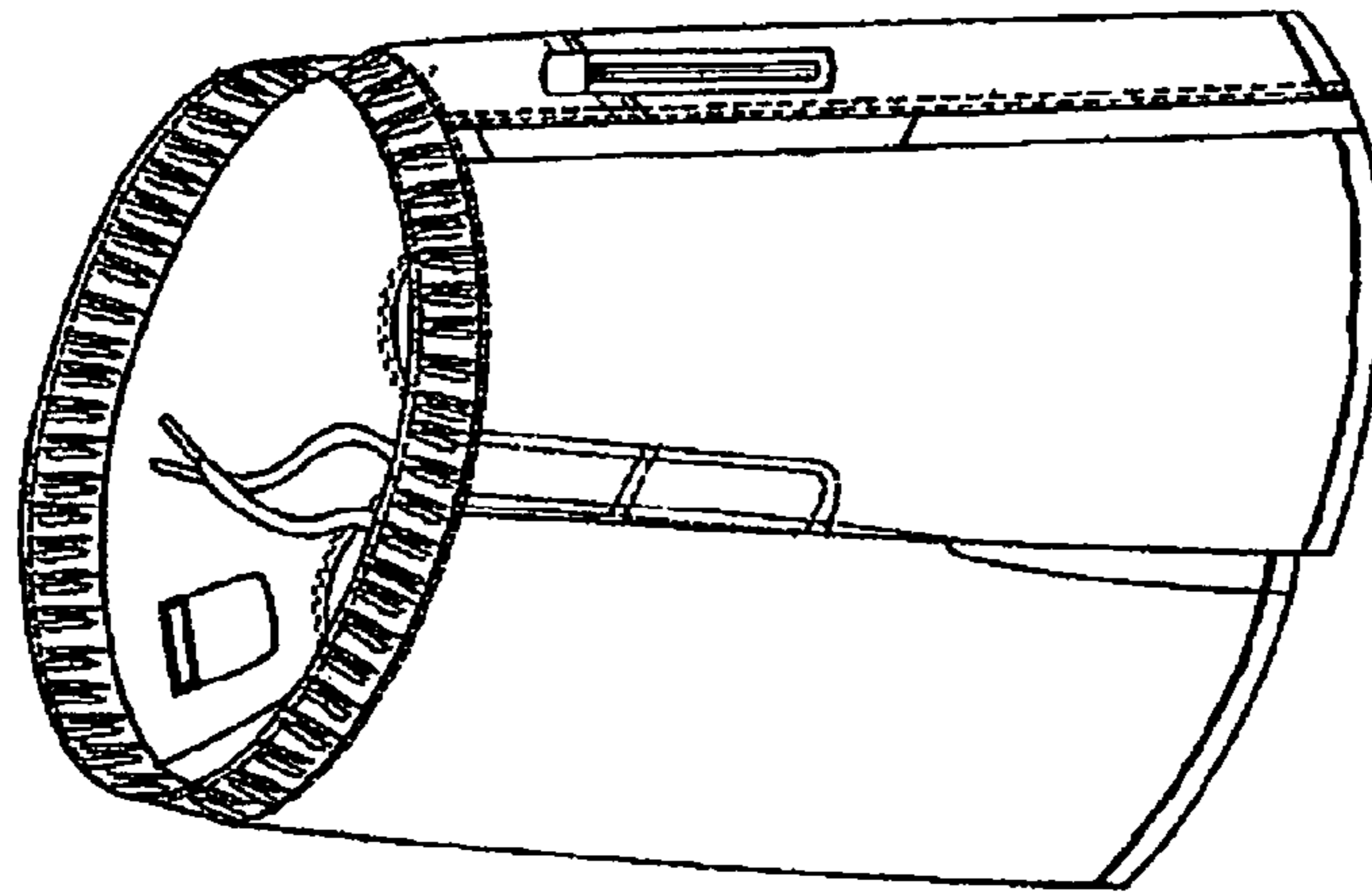


FIG 8

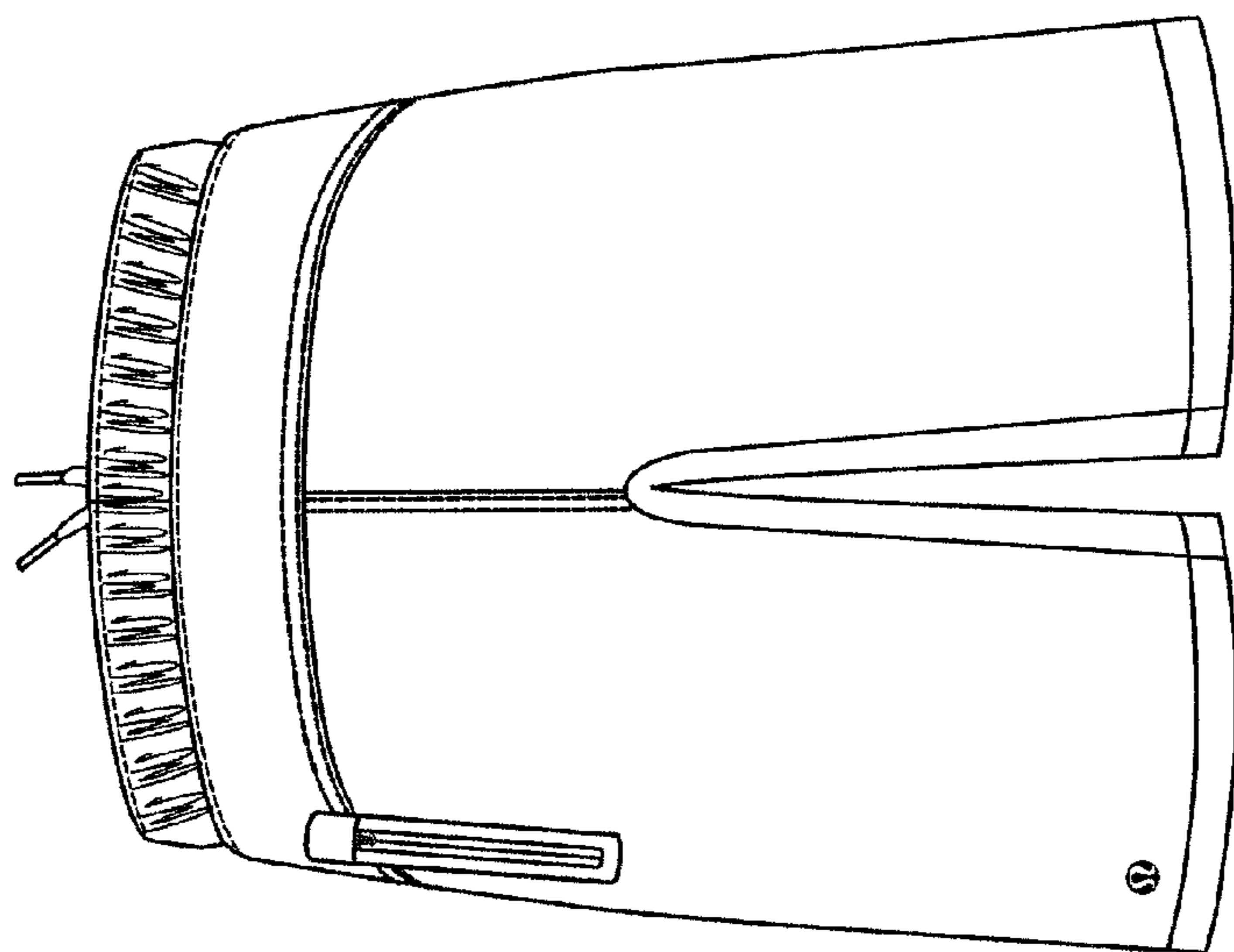


FIG 9

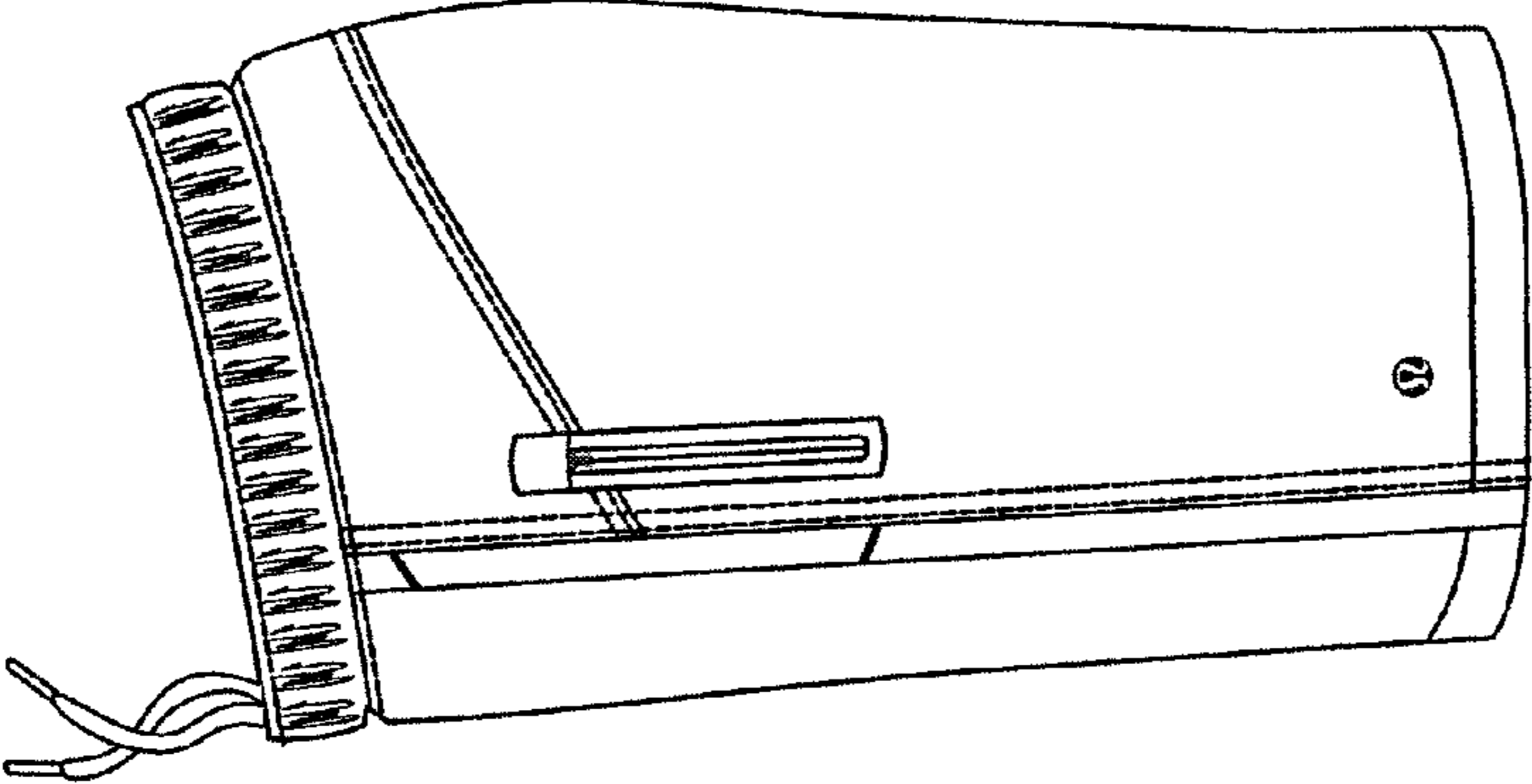


FIG 10

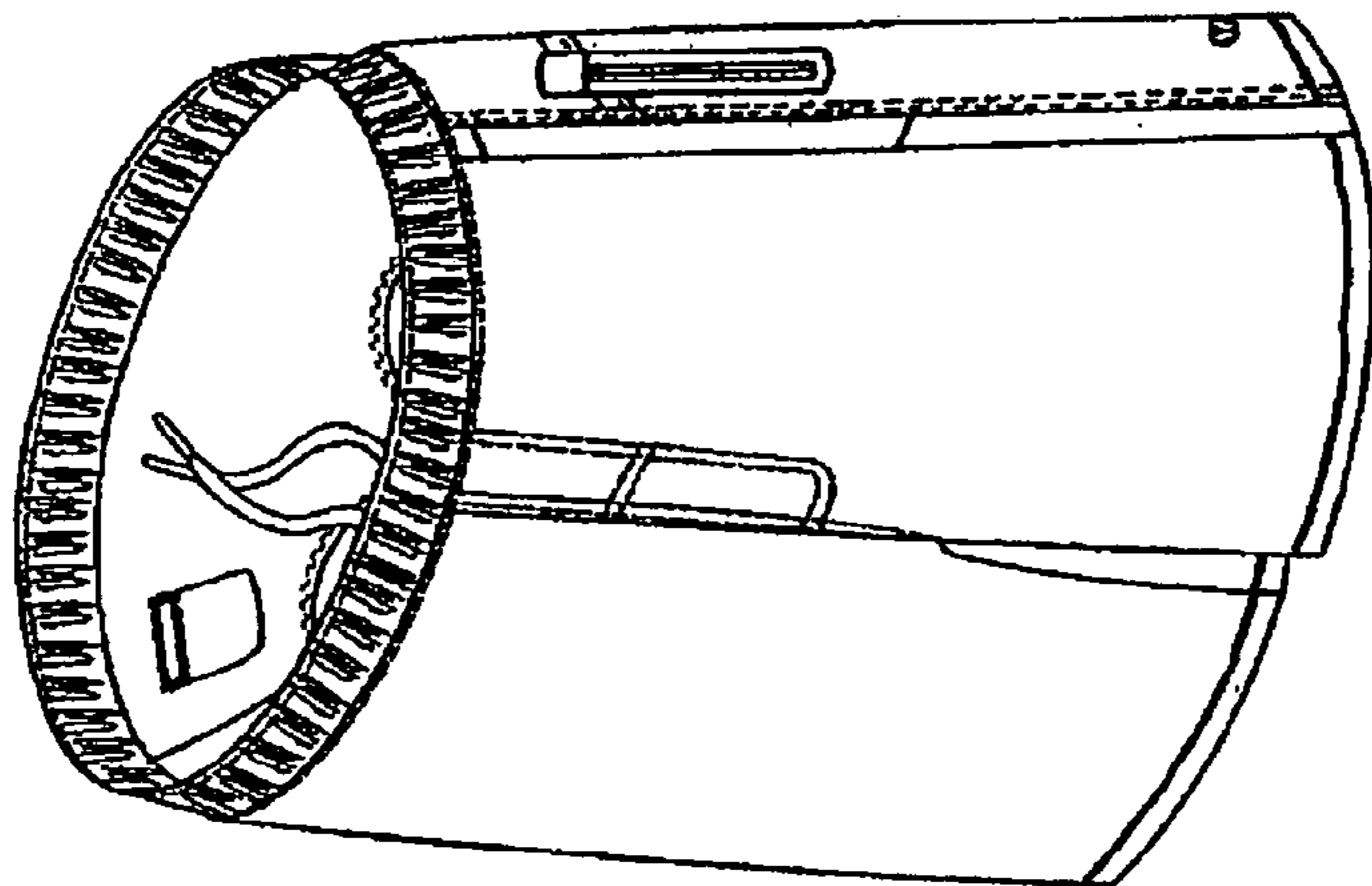


FIG 11

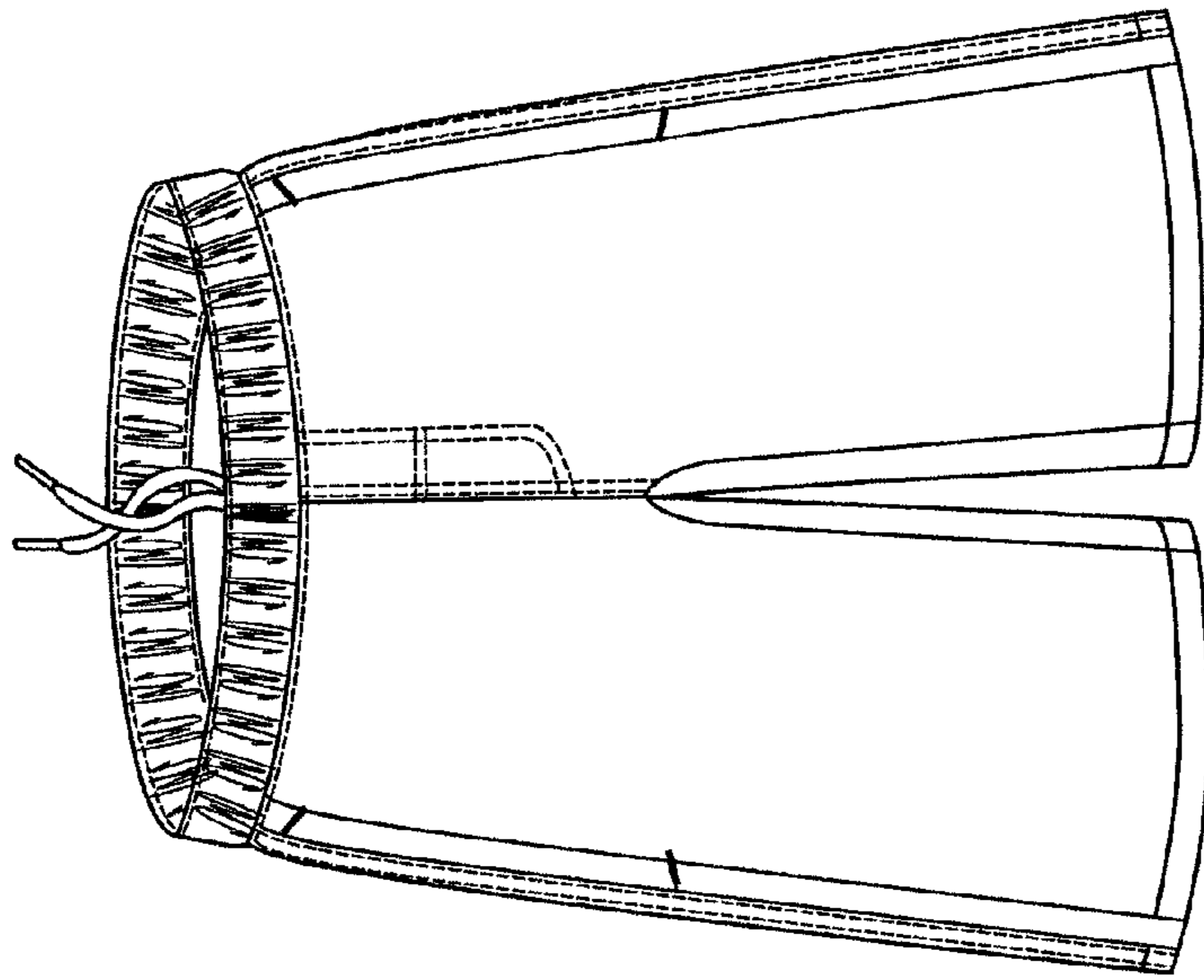


FIG 12

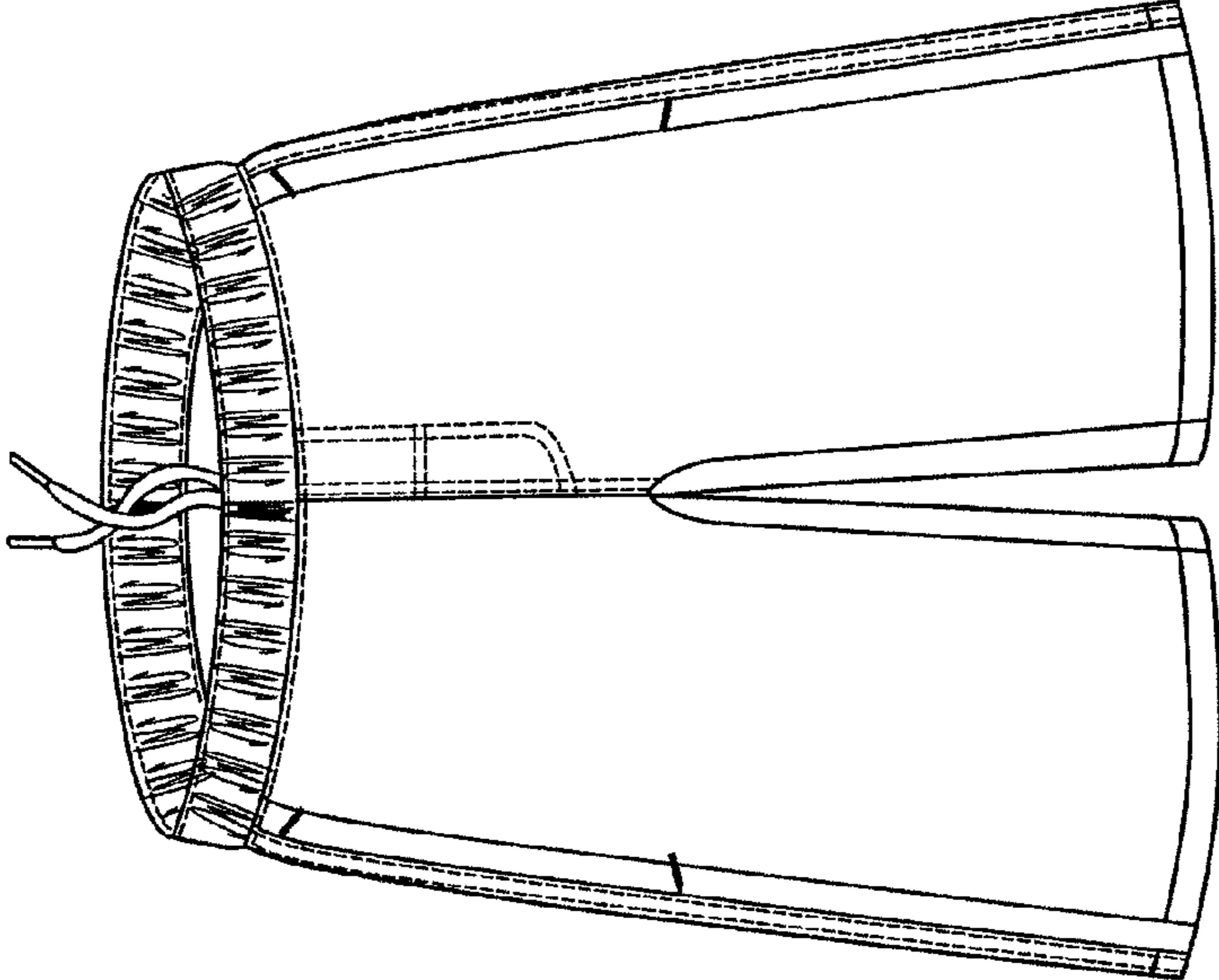


FIG 13