



US00D673345S

(12) **United States Design Patent**  
**Pendleton**

(10) **Patent No.:** **US D673,345 S**

(45) **Date of Patent:** **\*\* Dec. 25, 2012**

(54) **SAFE**

(75) Inventor: **Bruce Pendleton**, Loganville, GA (US)

(73) Assignee: **Pendleton Safe Company**, Loganville, GA (US)

(\*\*) Term: **14 Years**

(21) Appl. No.: **29/364,531**

(22) Filed: **Jun. 24, 2010**

**Related U.S. Application Data**

(63) Continuation of application No. 29/352,397, filed on Dec. 21, 2009, now Pat. No. Des. 623,824.

(51) **LOC (9) Cl.** ..... **25-02**

(52) **U.S. Cl.** ..... **D99/28; D99/43; D6/432**

(58) **Field of Classification Search** ..... D99/28, D99/43, 99; D6/432-448, 457, 470, 510; D12/423; 109/7, 24.1, 25, 35-39, 45-50, 109/70-77; 312/135, 215, 297, 205, 409

See application file for complete search history.

(56) **References Cited**

**U.S. PATENT DOCUMENTS**

195,219 A	9/1877	Kingham	
D16,806 S	7/1886	Farrel	
492,304 A	2/1893	Markel	
D36,919 S	5/1904	Brinton	
941,940 A	11/1909	McCormick	
1,759,129 A	5/1930	McClintock et al.	
2,081,271 A	5/1937	Ellithorpe	
2,624,650 A	1/1953	De Perales	
D175,470 S	8/1955	Kahn	
3,762,789 A	10/1973	Robertson	
3,927,923 A	12/1975	Kimmel	
4,099,808 A	7/1978	Oakley et al.	
4,244,302 A	1/1981	Stine	
4,681,044 A *	7/1987	Dallman	109/24.1

D325,125 S *	4/1992	Paul	D12/423
D335,595 S	5/1993	Bowen	
D348,576 S	7/1994	Narramore	
D356,905 S *	4/1995	Dobbins	D6/442
D408,174 S	4/1999	Aspenwall	
D424,829 S *	5/2000	Platts	D6/441

(Continued)

*Primary Examiner* — Richard E Chilcot

(74) *Attorney, Agent, or Firm* — Brient Intellectual Property Law, LLC

(57) **CLAIM**

The ornamental design for a safe, as shown and described.

**DESCRIPTION**

FIG. 1 is a perspective view of a safe according to an embodiment of the present design with a door, door hinges, a combination entry keypad, and a handle assembly shown in broken lines.

FIG. 2 is a front elevation view of the safe of FIG. 1 with the door, door hinges, combination entry keypad, and handle assembly shown in broken lines.

FIG. 3 is a rear elevation view of the safe of FIG. 1.

FIG. 4 is a right side elevation view of the safe of FIG. 1 with the door hinges, handle assembly, and combination entry keypad shown in broken lines.

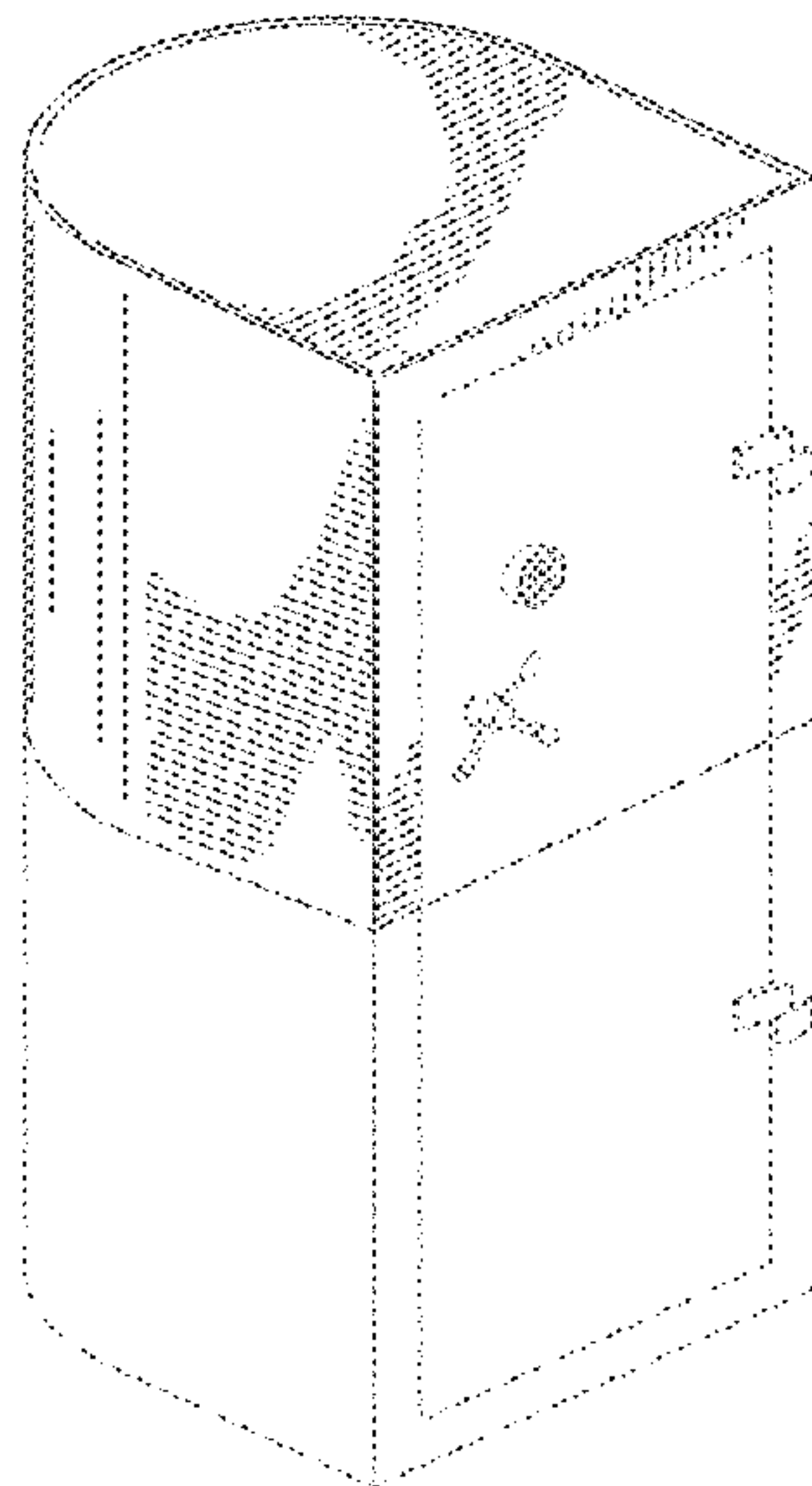
FIG. 5 is a left side elevation view of the safe of FIG. 1 with the door hinges, handle assembly, and the combination entry keypad shown in broken lines.

FIG. 6 is a top plan view of the safe of FIG. 1 with the handle assembly, door hinges, and the combination entry keypad shown in broken lines; and,

FIG. 7 is a bottom plan view of the safe of FIG. 1 with the handle assembly, door hinges, and the combination entry keypad shown in broken lines.

The broken lines shown in FIGS. 1 through 7 illustrate portions of the safe that form no part of the claimed design.

**1 Claim, 6 Drawing Sheets**



# US D673,345 S

Page 2

---

## U.S. PATENT DOCUMENTS

D462,517	S	9/2002	Knox et al.				
6,523,917	B2 *	2/2003	Twellmann	.....	312/238		
6,865,993	B2 *	3/2005	Bartel et al.	.....	109/70		
6,868,975	B2	3/2005	Sells et al.				
7,043,946	B2	5/2006	Cline				
7,096,801	B2	8/2006	Bartel et al.				
D557,875	S *	12/2007	Stuhlberg et al.	.....	D99/28		
D586,525	S *	2/2009	Pendleton	.....	D99/28		
7,516,709	B2 *	4/2009	Bartel et al.	.....	109/70		
D598,175	S *	8/2009	Pendleton	.....	D99/28		
D623,824	S *	9/2010	Pendleton	.....	D99/28		
D634,915	S *	3/2011	Nave et al.	.....	D99/28		
2003/0141794	A1	7/2003	Cleveland et al.				
2004/0045914	A1	3/2004	Sells et al.				
2006/0283361	A1	12/2006	Bartel et al.				
2008/0229983	A1	9/2008	Pendleton				

\* cited by examiner

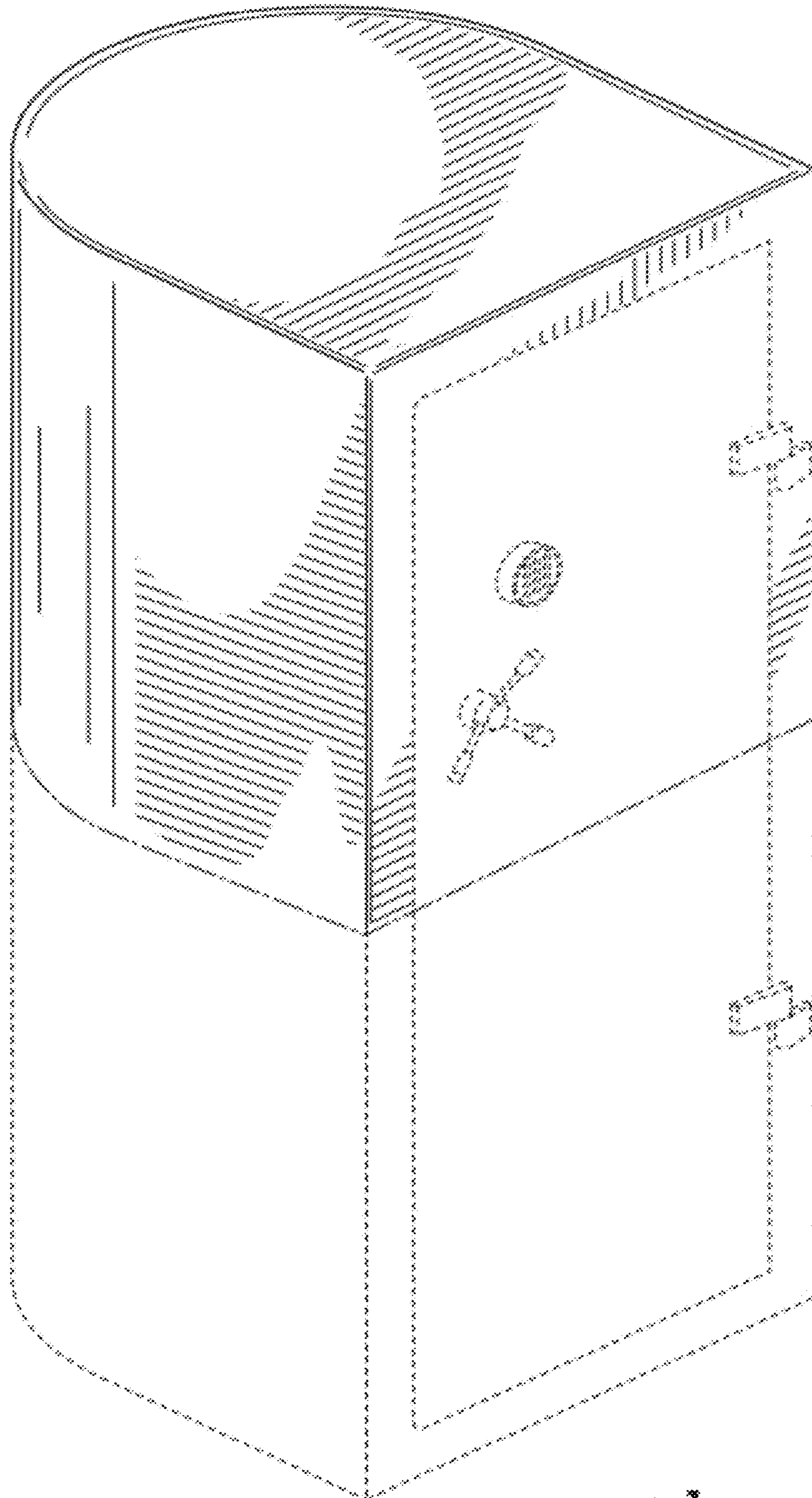


FIG. 1

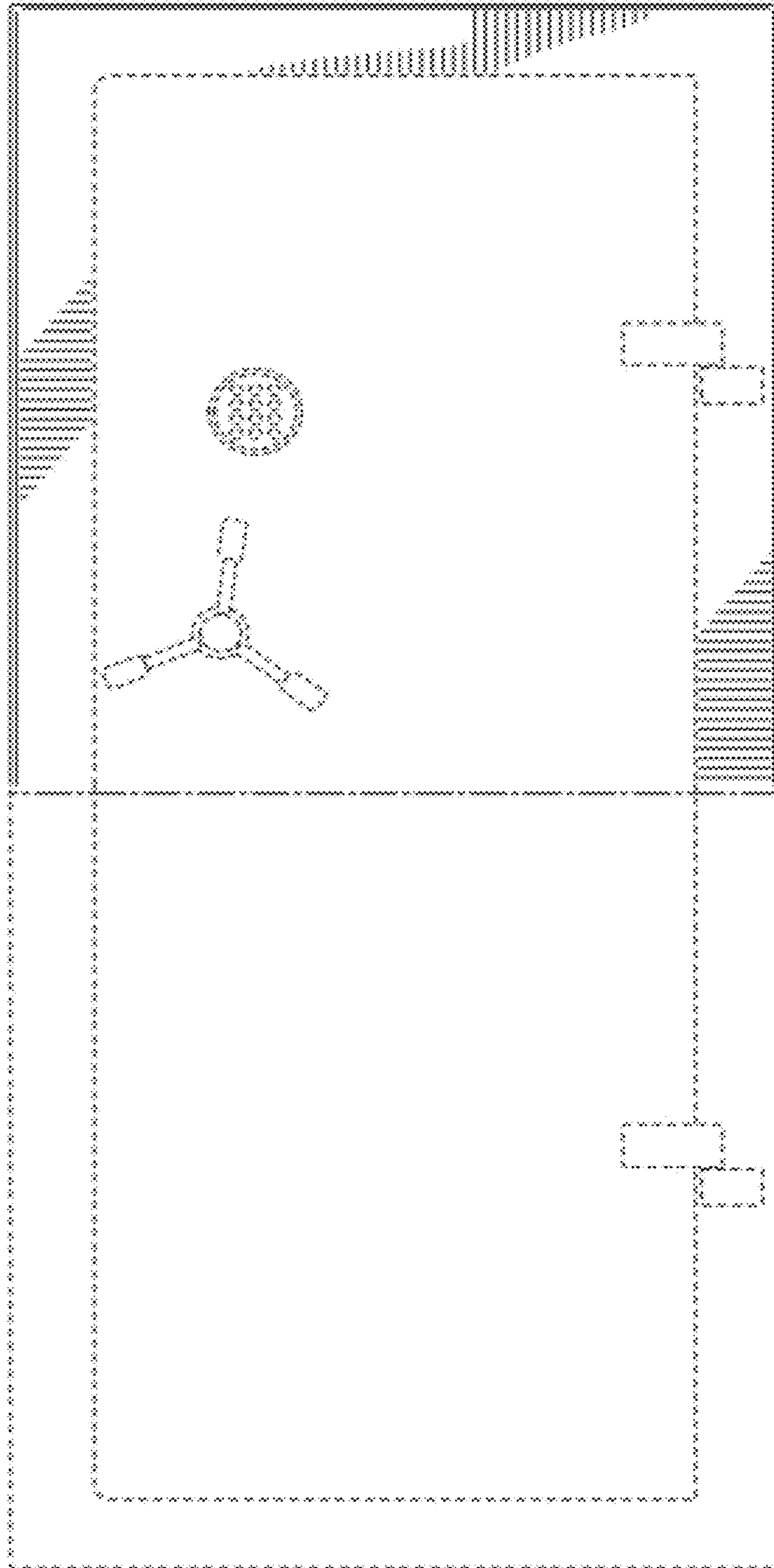


FIG. 2



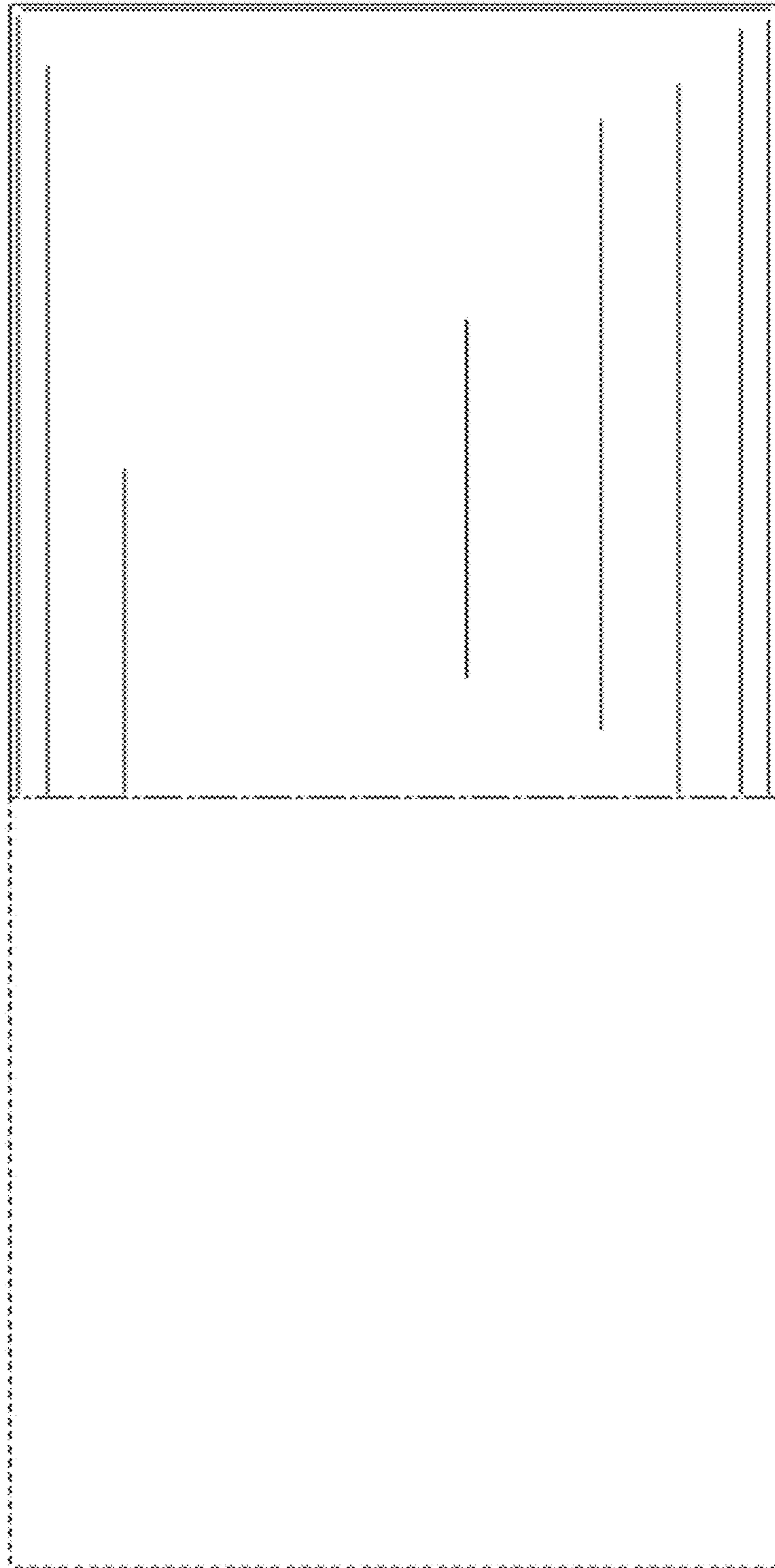


FIG. 3

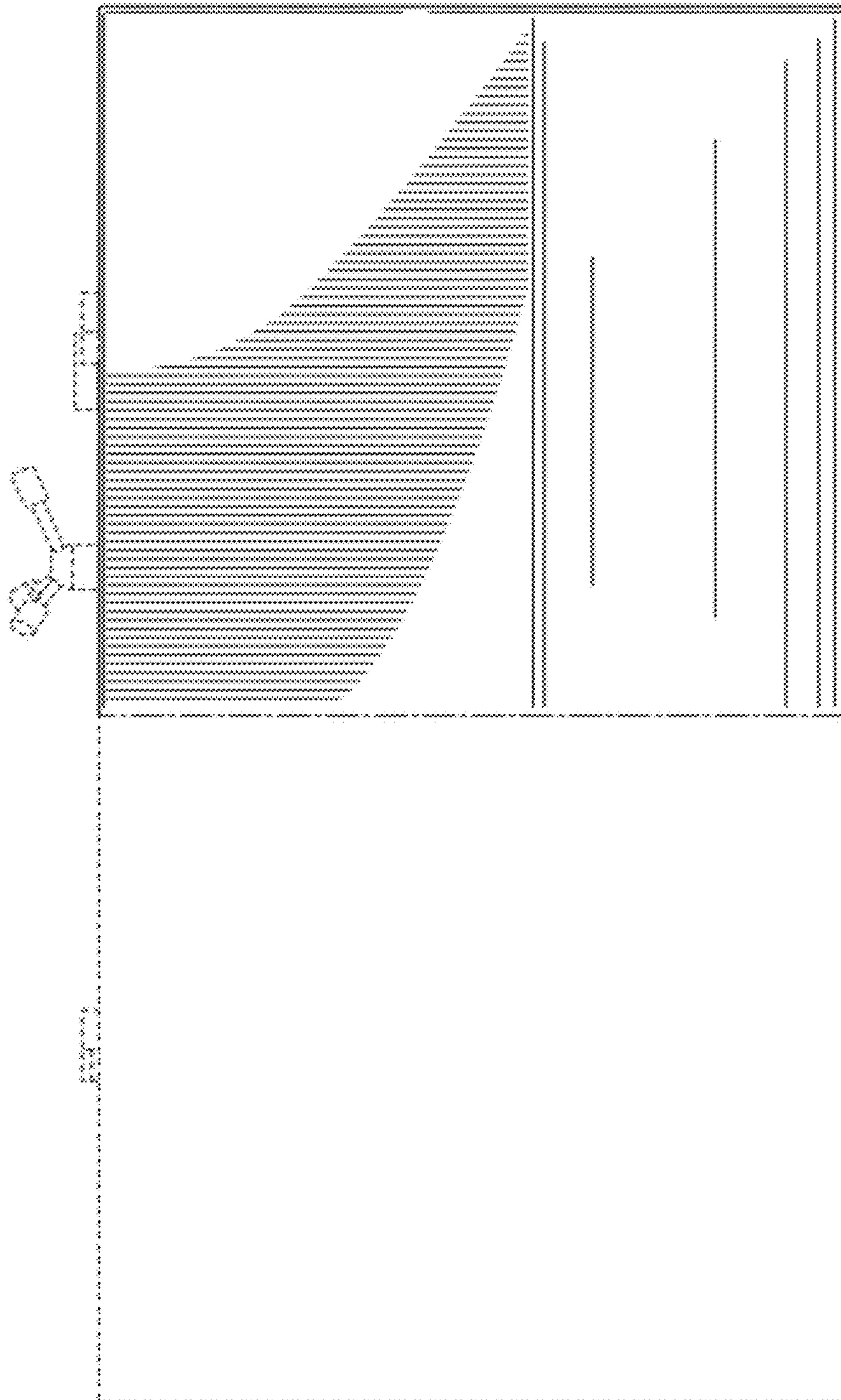


FIG. 4

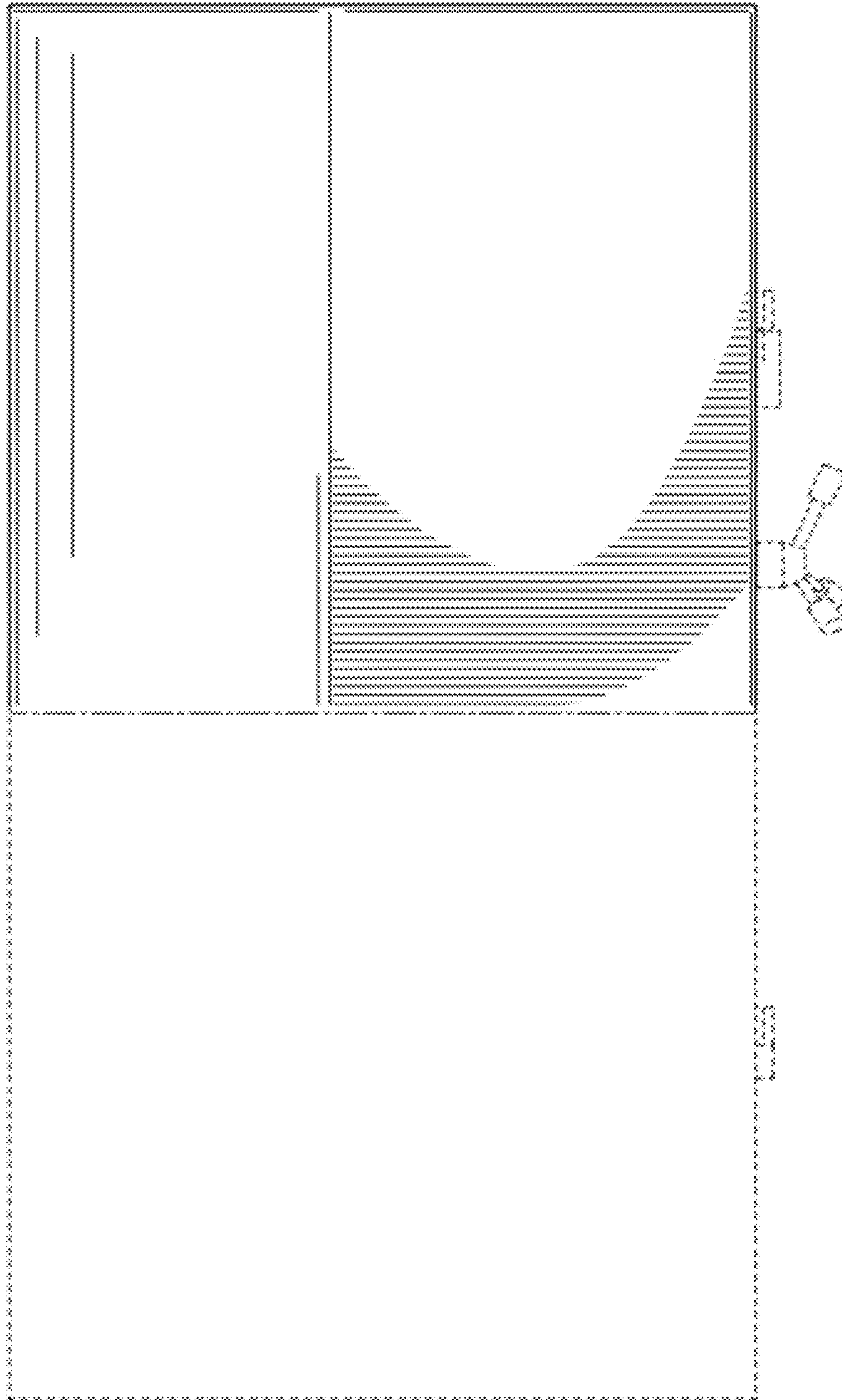


FIG. 5

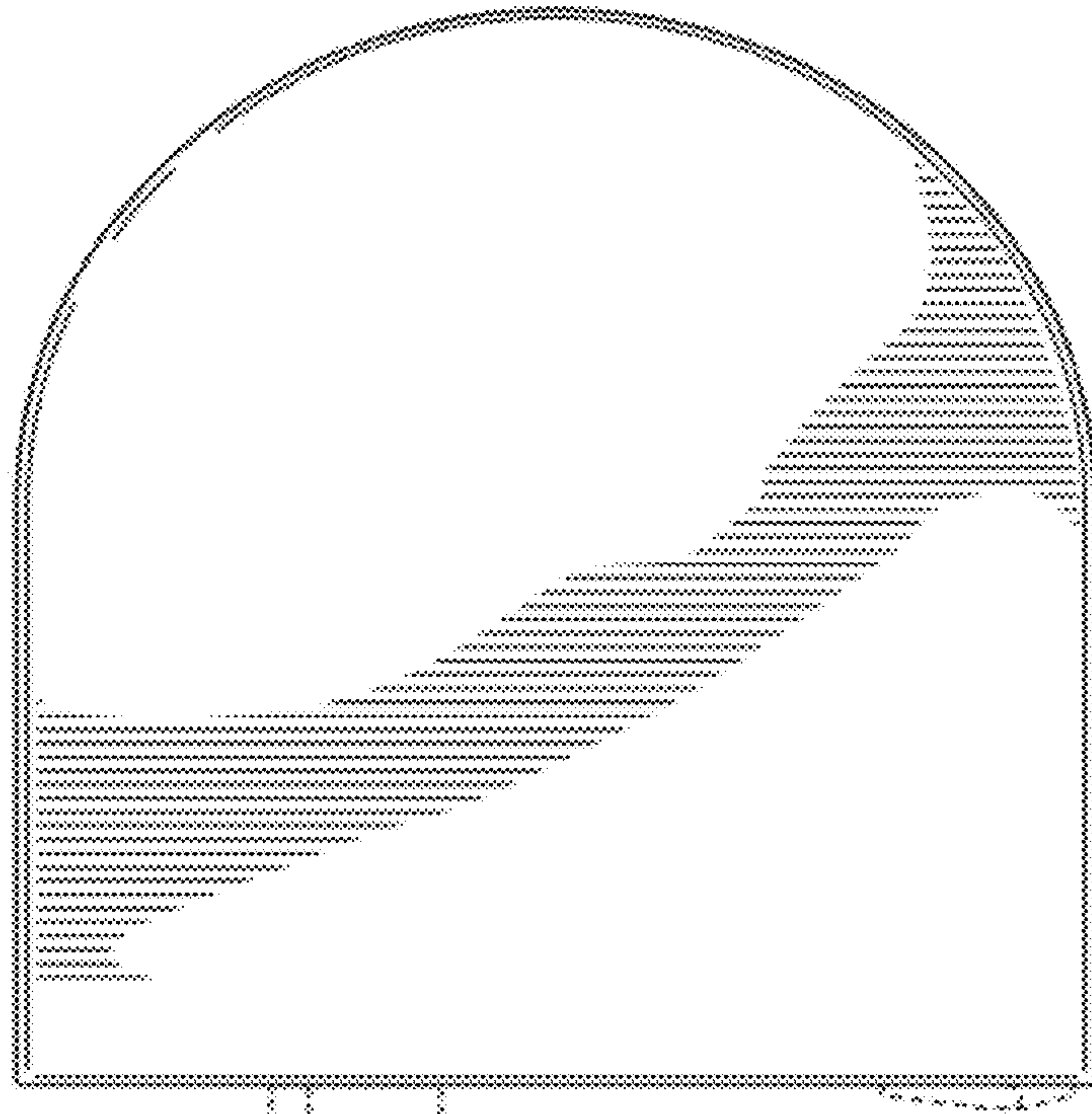


FIG. 6

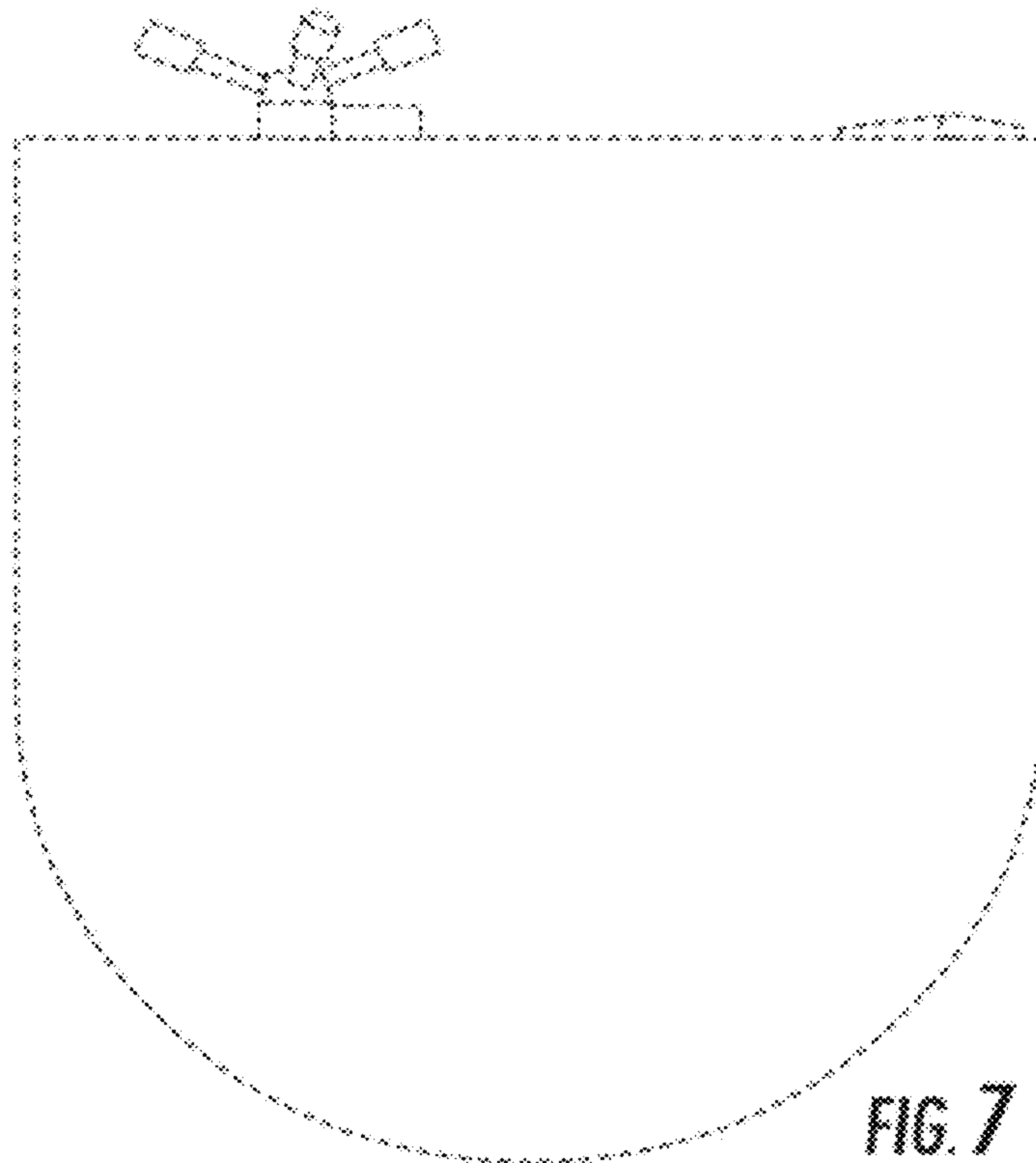


FIG. 7