



US00D673344S

(12) **United States Design Patent**  
**Adelusi-Adeluyi**

(10) **Patent No.:** **US D673,344 S**

(45) **Date of Patent:** **\*\* Dec. 25, 2012**

(54) **SAND CEREMONY VASE ASSEMBLY**

(76) **Inventor:** **Adewale Adelusi-Adeluyi**, Houston, TX  
(US)

(\*\*) **Term:** **14 Years**

(21) **Appl. No.:** **29/410,109**

(22) **Filed:** **Jan. 4, 2012**

(51) **LOC (9) Cl.** ..... **25-03**

(52) **U.S. Cl.** ..... **D99/19**

(58) **Field of Classification Search** ..... D99/17,  
D99/19, 20, 21, 25, 99; D11/131, 143, 146,  
D11/149, 155, 157, 144, 147; 27/1; 52/103;  
D28/61; 47/41.12; 428/3; 211/60.1; D6/525,  
D6/571; D10/44, 48; 206/423

See application file for complete search history.

(56) **References Cited**

**U.S. PATENT DOCUMENTS**

D152,655 S	*	2/1949	Russell	.....	D11/147
D341,048 S	*	11/1993	Murro	.....	D6/525
D382,509 S	*	8/1997	Epperson	.....	D11/131
D416,515 S	*	11/1999	Horvat	.....	D11/147

D461,616 S	*	8/2002	Stein	.....	D99/19
D483,542 S	*	12/2003	Carter et al.	.....	D99/19
D653,989 S	*	2/2012	Falduto et al.	.....	D11/146
D654,761 S	*	2/2012	Herbst	.....	D7/505

\* cited by examiner

*Primary Examiner* — Paula Greene

(74) *Attorney, Agent, or Firm* — Egbert Law Offices, PLLC

(57) **CLAIM**

The ornamental design for a sand ceremony vase assembly, as shown and described.

**DESCRIPTION**

FIG. 1 is a front perspective view of the sand ceremony vase assembly showing my design.

FIG. 2 is a front view thereof, a rear view being identical;

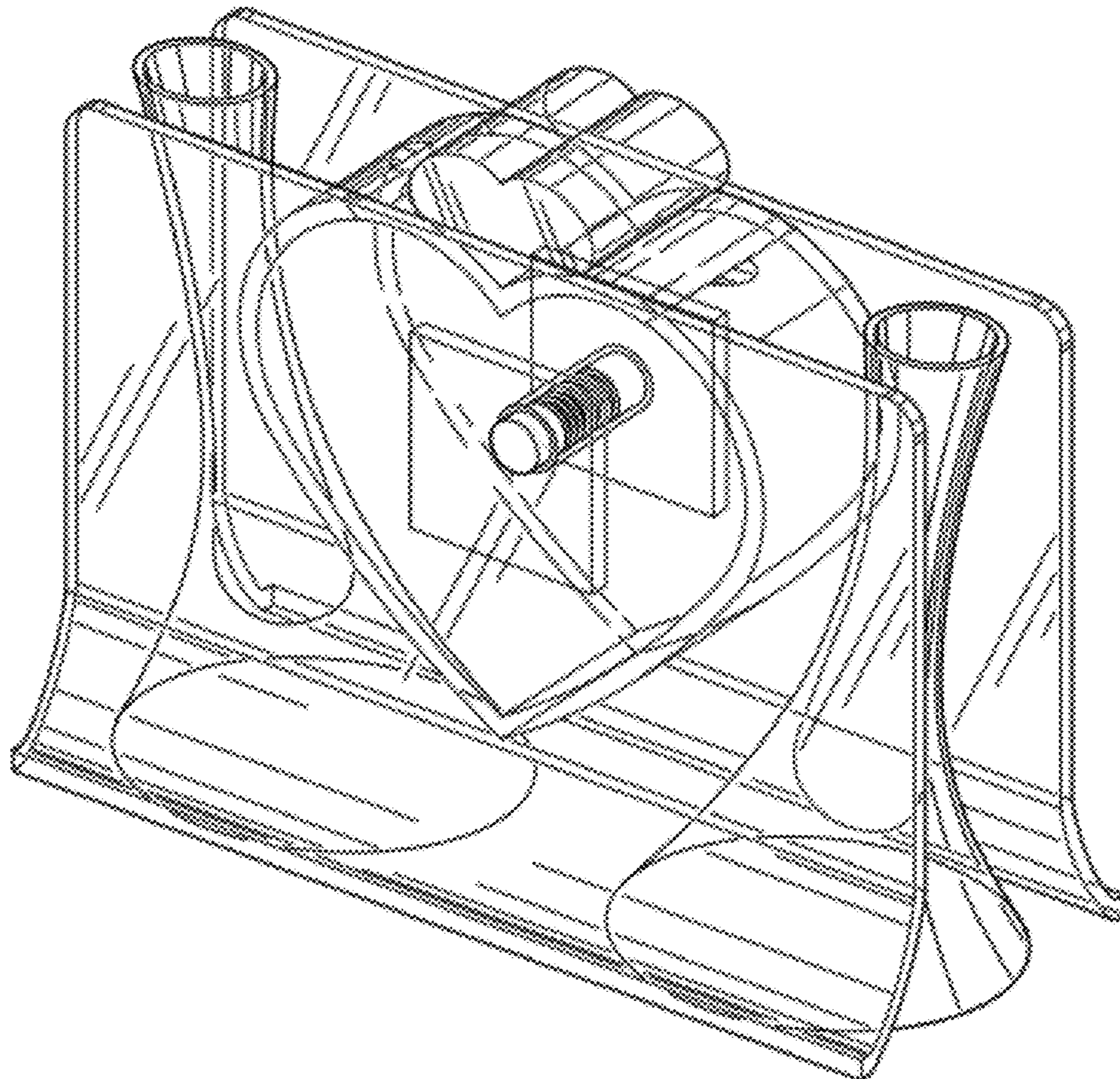
FIG. 3 is a side view thereof, an opposite side view being identical;

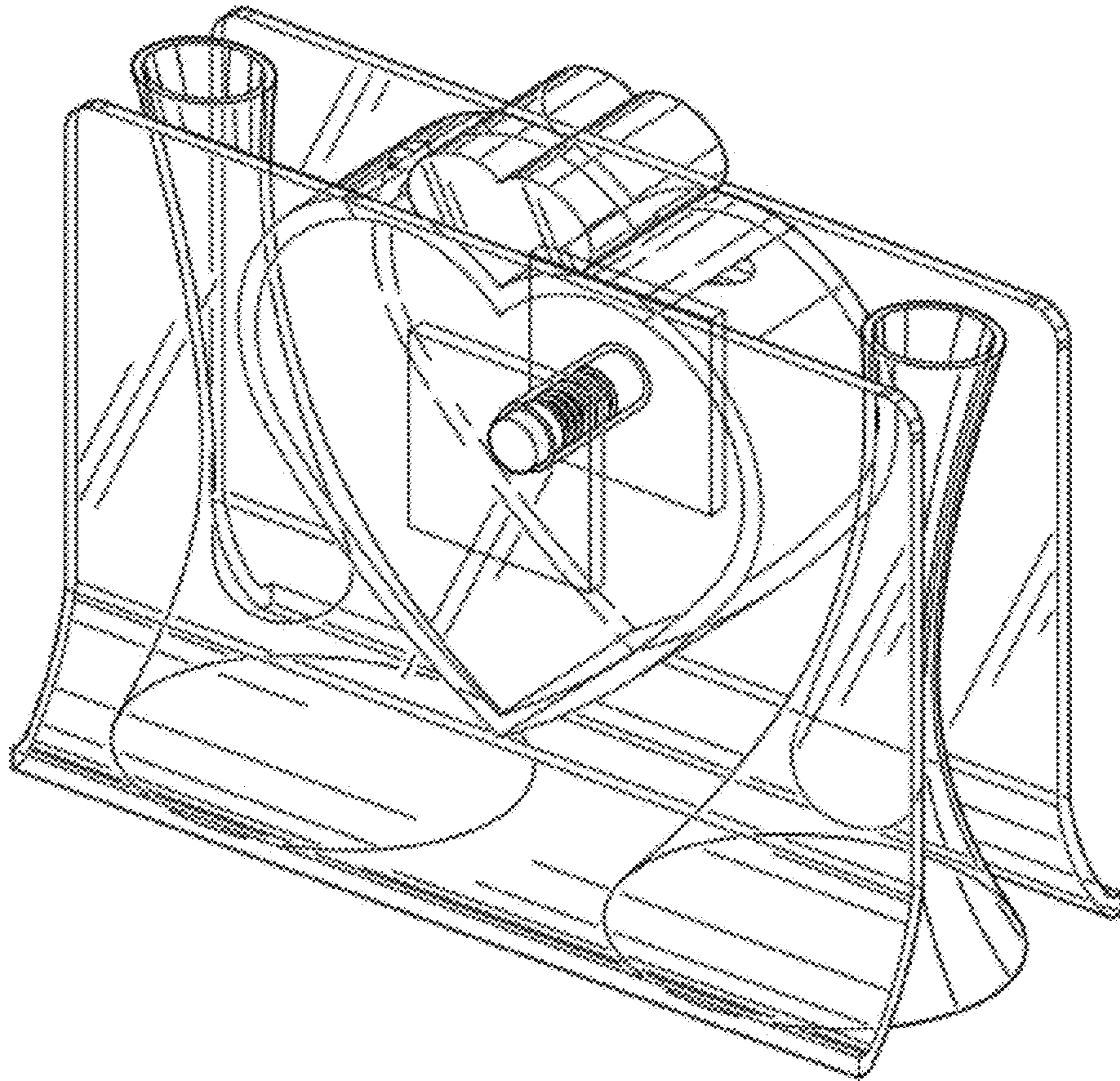
FIG. 4 is a top view thereof;

FIG. 5 is a bottom view thereof; and,

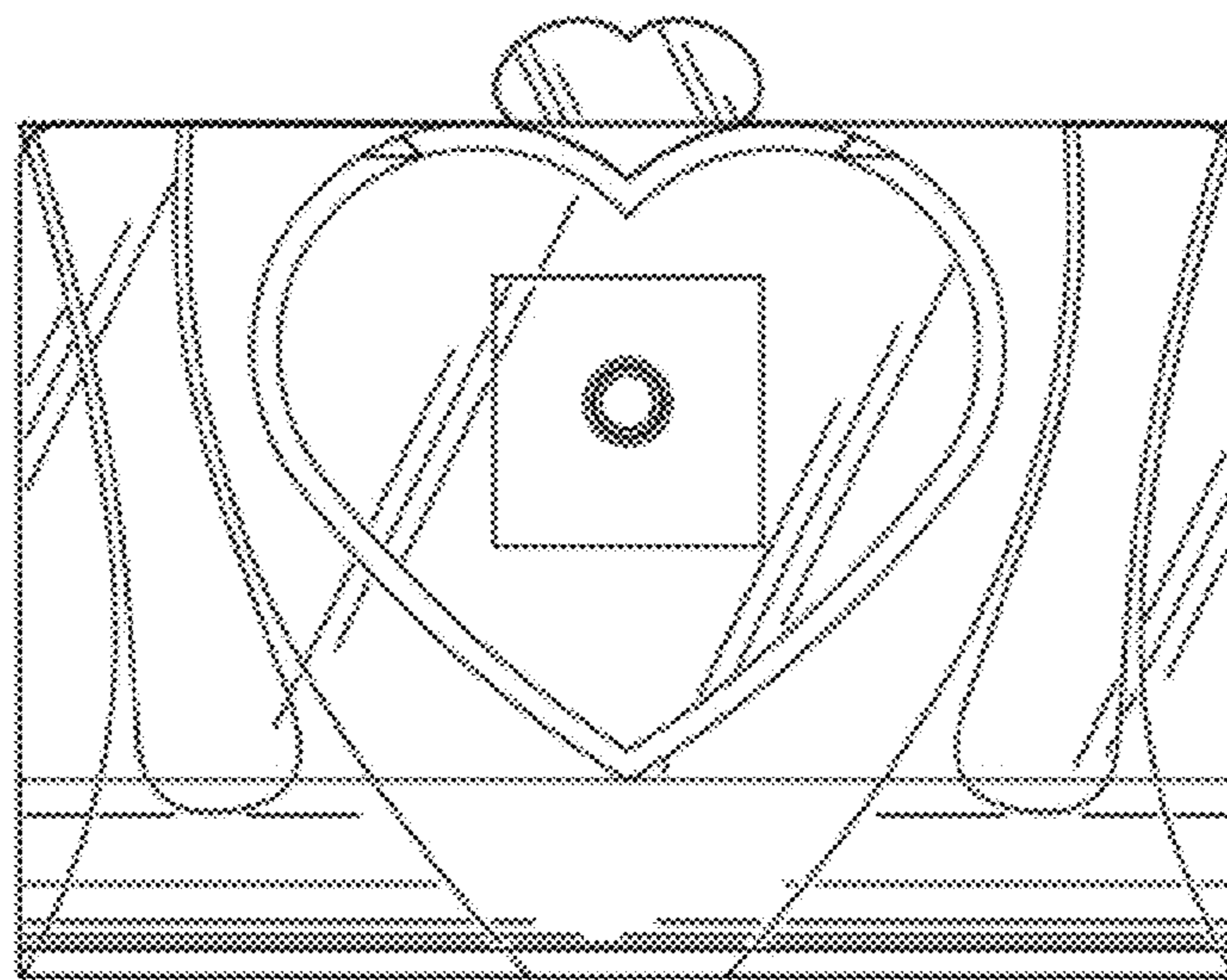
FIG. 6 is an exploded perspective view of the sand ceremony vase assembly showing the components thereof.

**1 Claim, 3 Drawing Sheets**





*FIG. 1*



*FIG. 2*

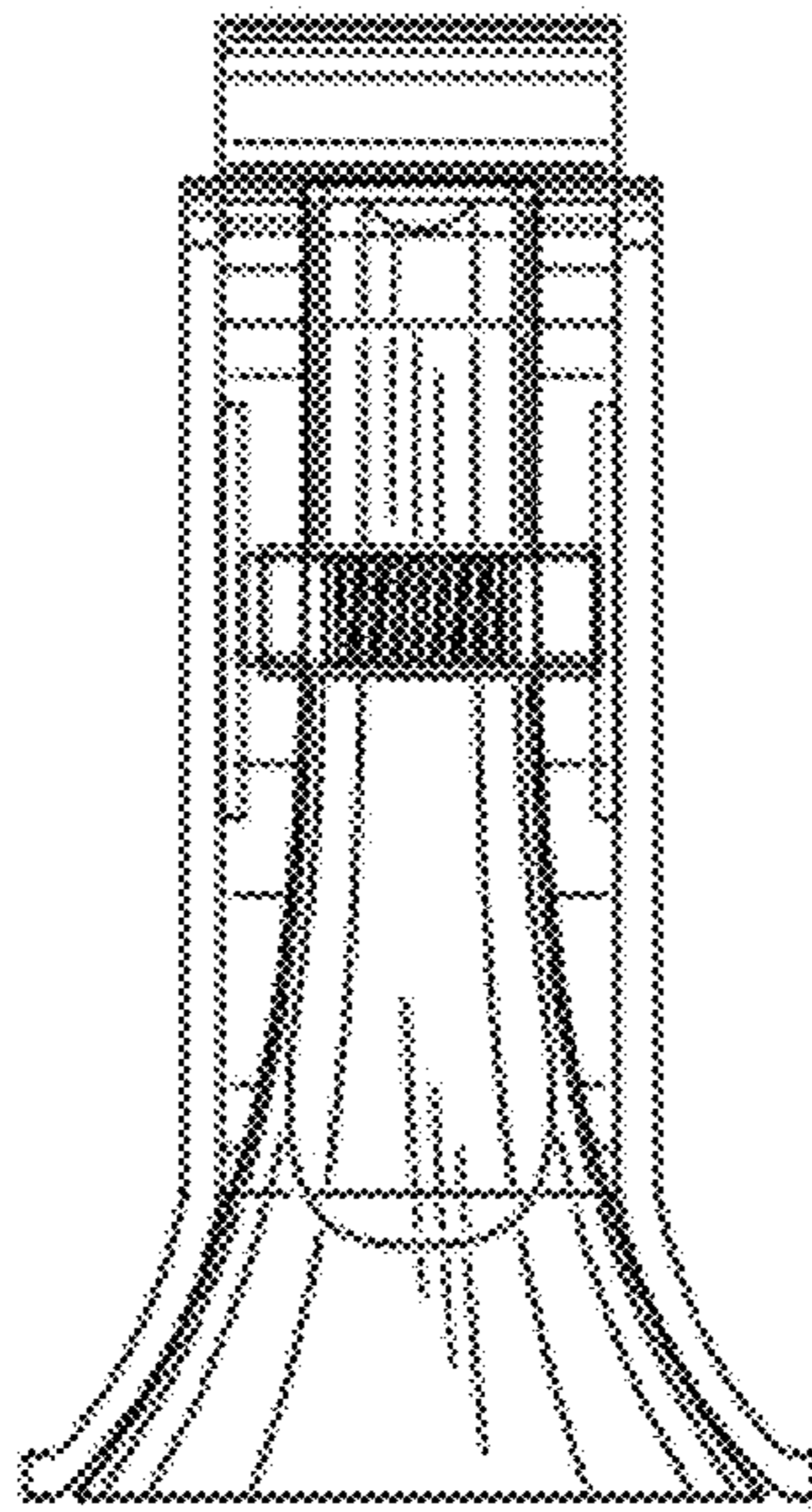


FIG. 3

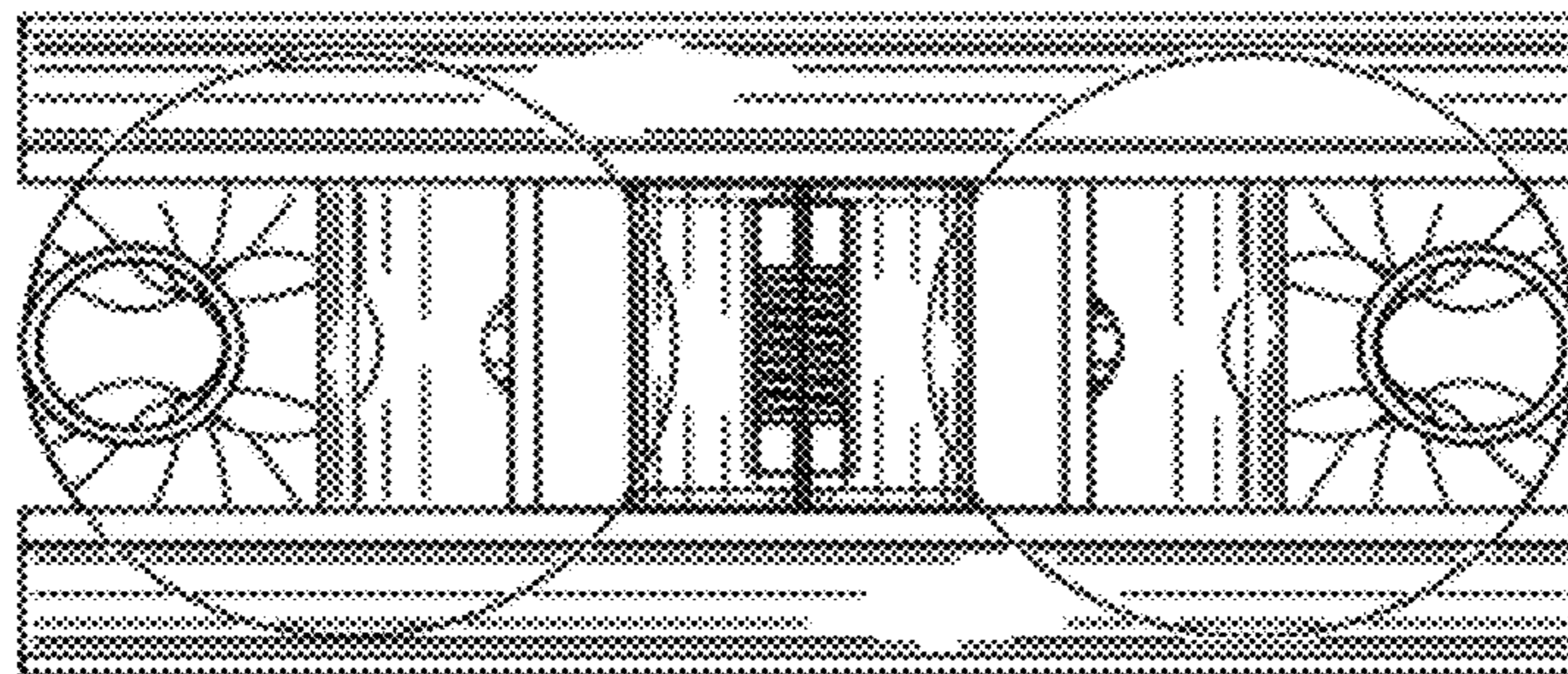


FIG. 4

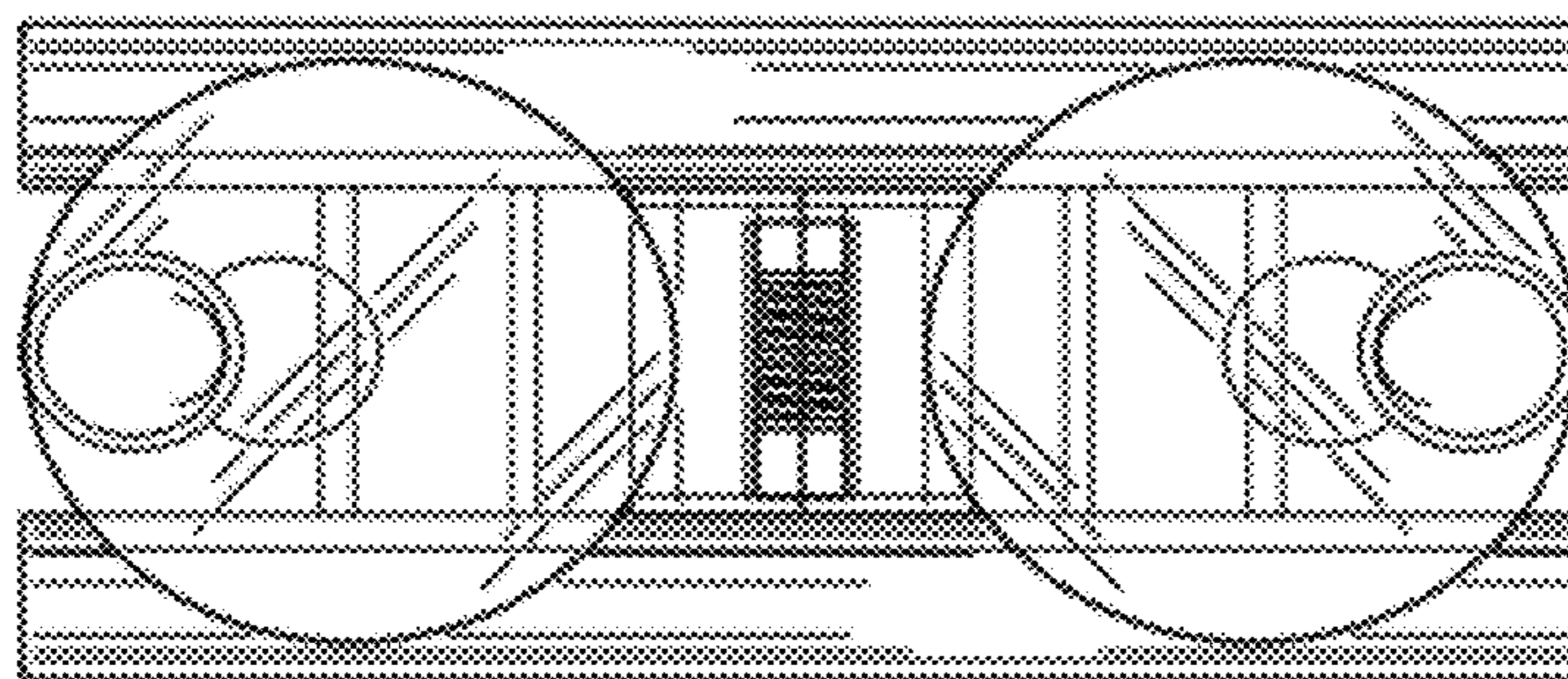


FIG. 5

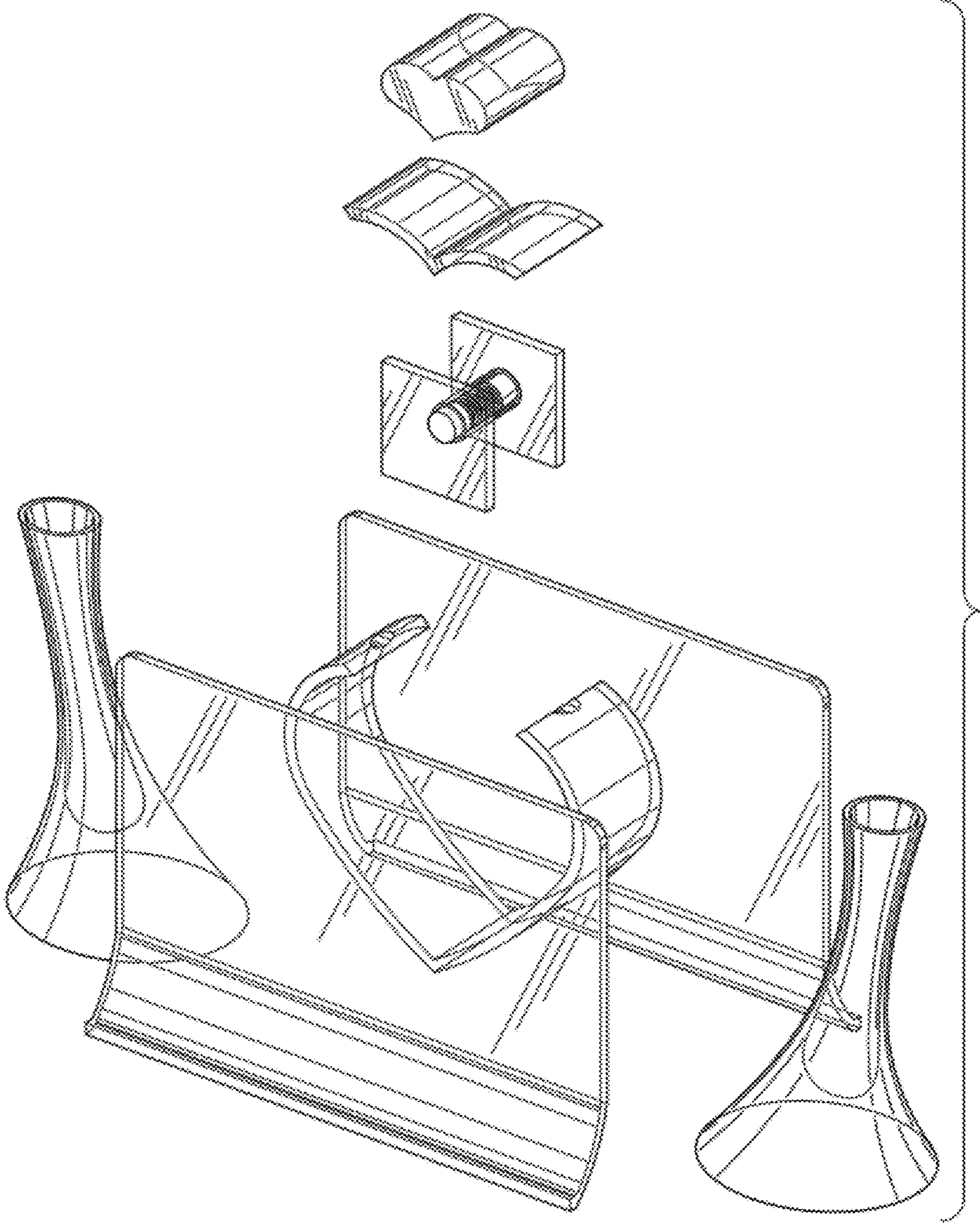


FIG. 6