

US00D673343S

(12) **United States Design Patent**  
**Thiele**

(10) **Patent No.:** **US D673,343 S**

(45) **Date of Patent:** **\*\* Dec. 25, 2012**

(54) **LATERAL COVER FOR CONVEYOR  
MODULES**

(75) Inventor: **Frank Thiele**, Munich (DE)

(73) Assignee: **Interroll Holding AG**, Sant"Antonino  
(CH)

(\*\*) Term: **14 Years**

(21) Appl. No.: **29/416,516**

(22) Filed: **Mar. 23, 2012**

(30) **Foreign Application Priority Data**

Sep. 23, 2011 (DE) ..... 402011006217

(51) **LOC (9) Cl.** ..... **12-05**

(52) **U.S. Cl.** ..... **D34/29; D25/119**

(58) **Field of Classification Search** ..... D34/29,  
D34/35; D25/119, 120, 221, 124, 125; 198/851,  
198/837, 838, 841; 52/800.12, 465, 468,  
52/469, 470; D8/340

See application file for complete search history.

(56) **References Cited**

**U.S. PATENT DOCUMENTS**

2,303,976	A *	12/1942	Bawcutt et al.	.....	193/2 R
2,385,923	A *	10/1945	Klaucke et al.	.....	198/834
D202,718	S *	11/1965	Kore et al.	.....	D34/35
3,456,409	A *	7/1969	Piget	.....	52/773
D238,510	S *	1/1976	Tabler	.....	D34/29
D259,811	S *	7/1981	Guy	.....	D25/124
4,394,901	A *	7/1983	Roinestad	.....	198/850

D291,007	S *	7/1987	Reisinger et al.	.....	D25/124
D327,746	S *	7/1992	Valentin	.....	D25/124
D338,972	S *	8/1993	Moss et al.	.....	D25/124
D356,418	S *	3/1995	Makimura	.....	D34/35
6,105,322	A *	8/2000	Chang	.....	52/238.1
D464,783	S *	10/2002	Abbestam	.....	D34/29
D515,266	S *	2/2006	Moe	.....	D34/35
D616,566	S *	5/2010	Desrosiers et al.	.....	D25/60
D655,884	S *	3/2012	Spies et al.	.....	D34/35
D660,544	S *	5/2012	Onayama	.....	D34/29
D666,328	S *	8/2012	Morton	.....	D25/122

\* cited by examiner

*Primary Examiner* — Cynthia Ramirez

(74) *Attorney, Agent, or Firm* — Fay Sharpe LLP

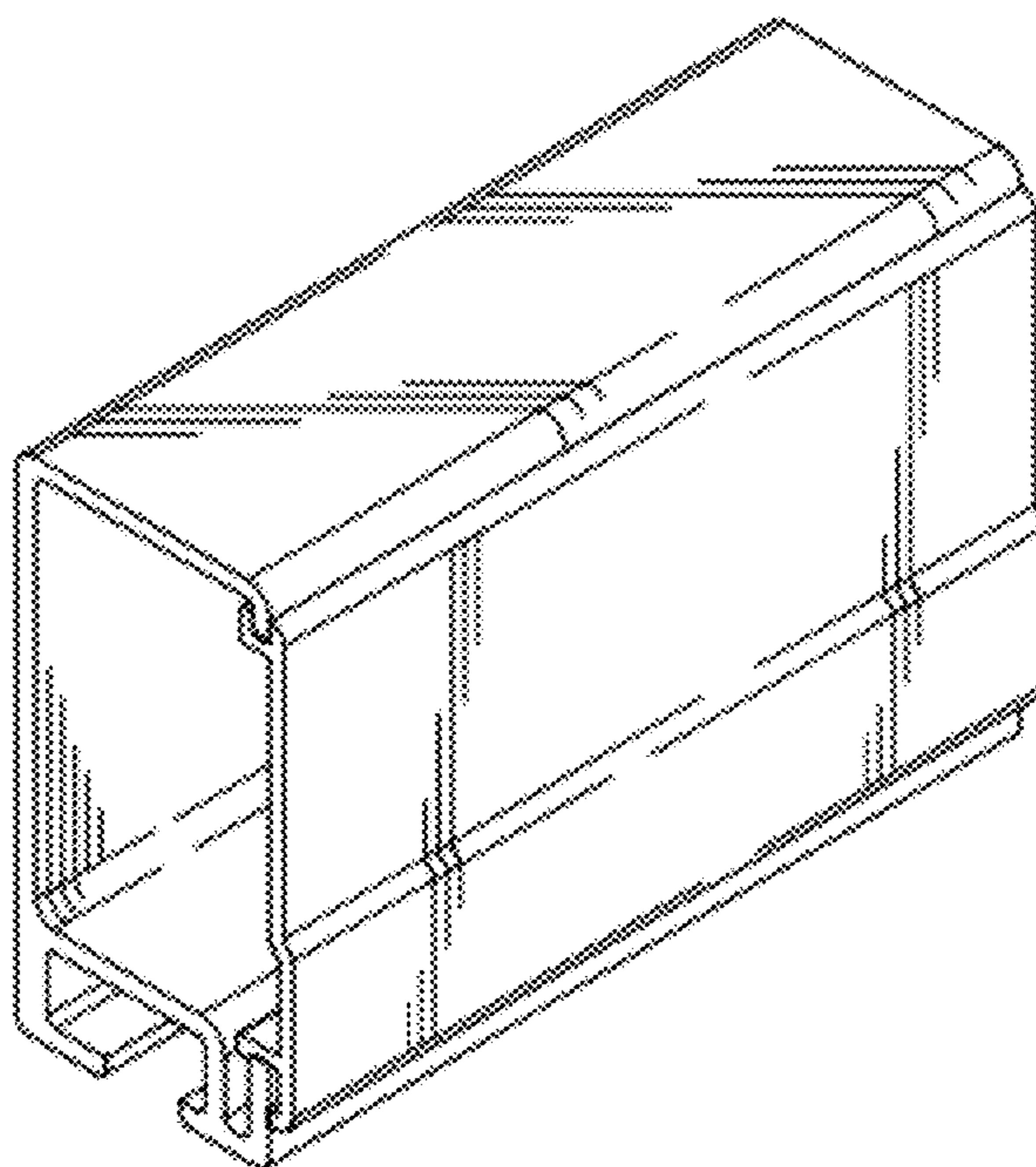
(57) **CLAIM**

The ornamental design for lateral cover for conveyor modules, as shown and described.

**DESCRIPTION**

FIG. 1 is a front view of a lateral cover for conveyor modules showing my new design;  
 FIG. 2 is a side view thereof;  
 FIG. 3 is a rear view thereof;  
 FIG. 4 is the other side view thereof;  
 FIG. 5 is a top plan view thereof;  
 FIG. 6 is a bottom plan view thereof;  
 FIG. 7 is a rear perspective view thereof; and,  
 FIG. 8 is a front perspective view thereof.

**1 Claim, 2 Drawing Sheets**



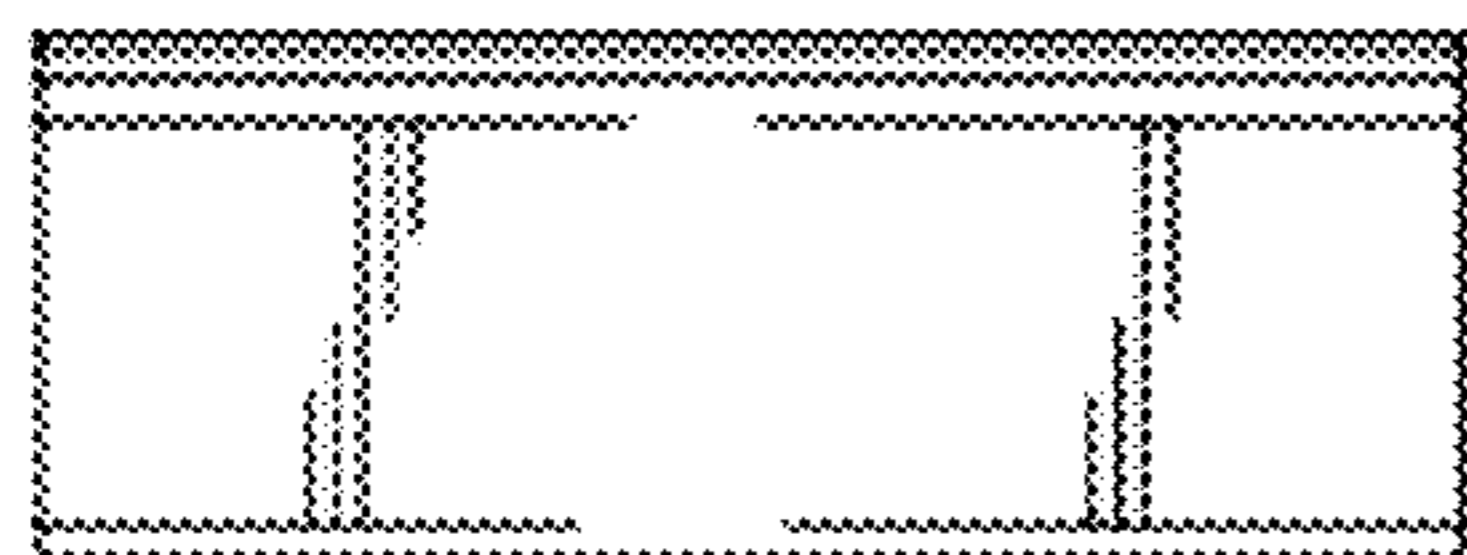


FIG. 5



FIG. 3

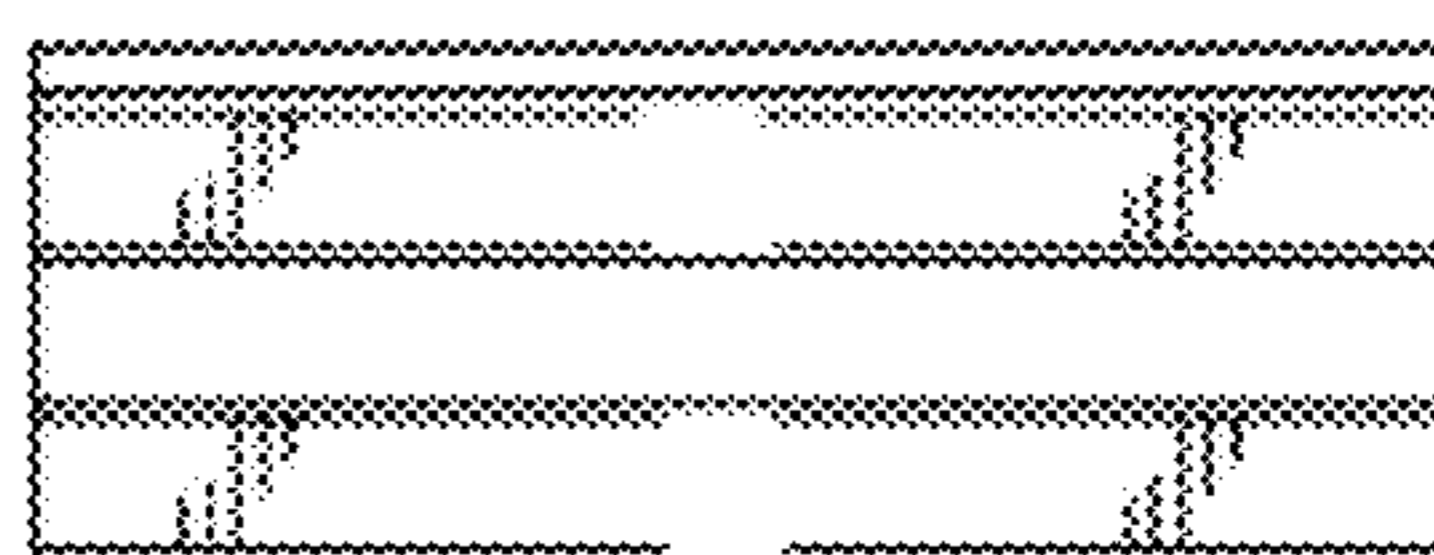


FIG. 6

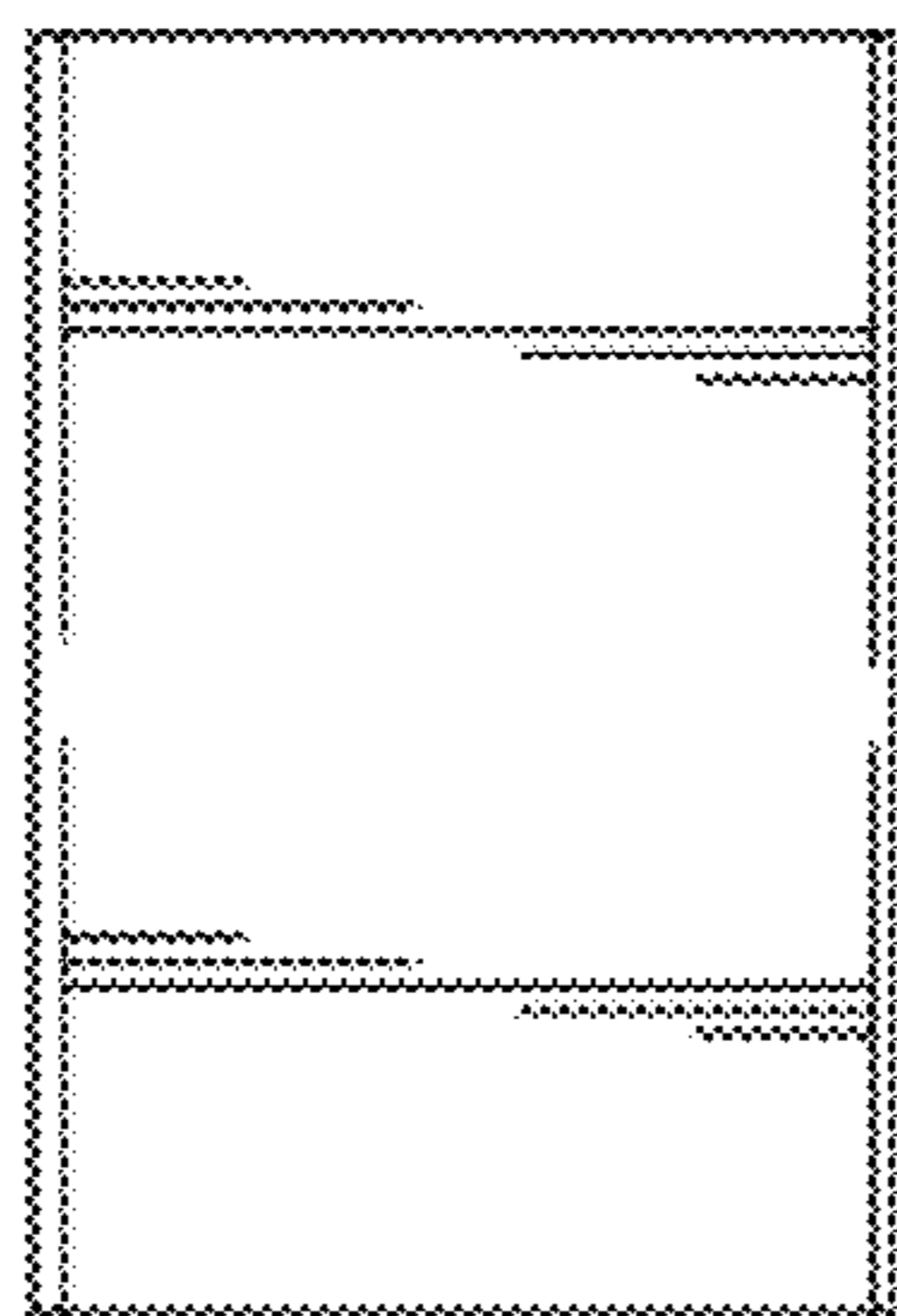


FIG. 2

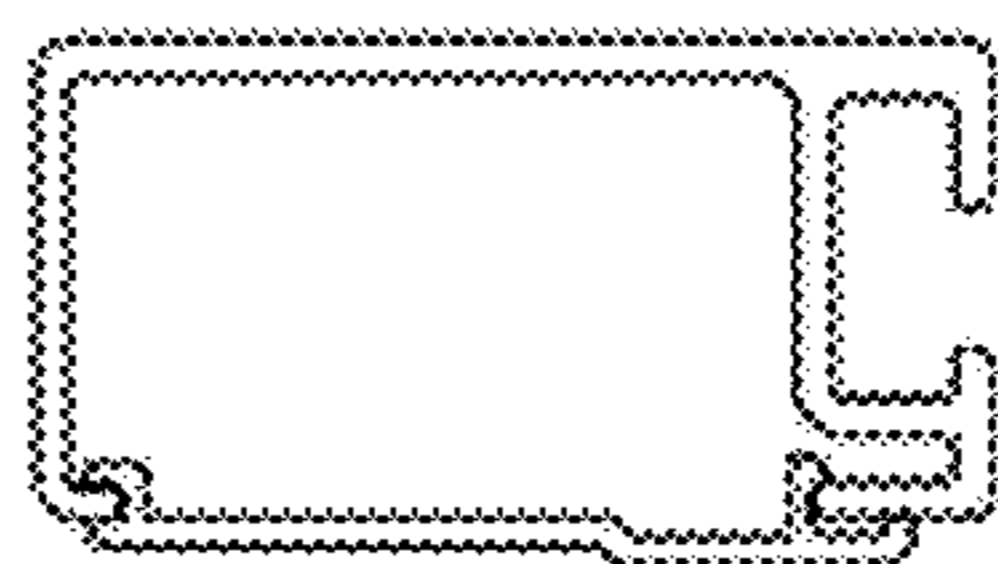


FIG. 1

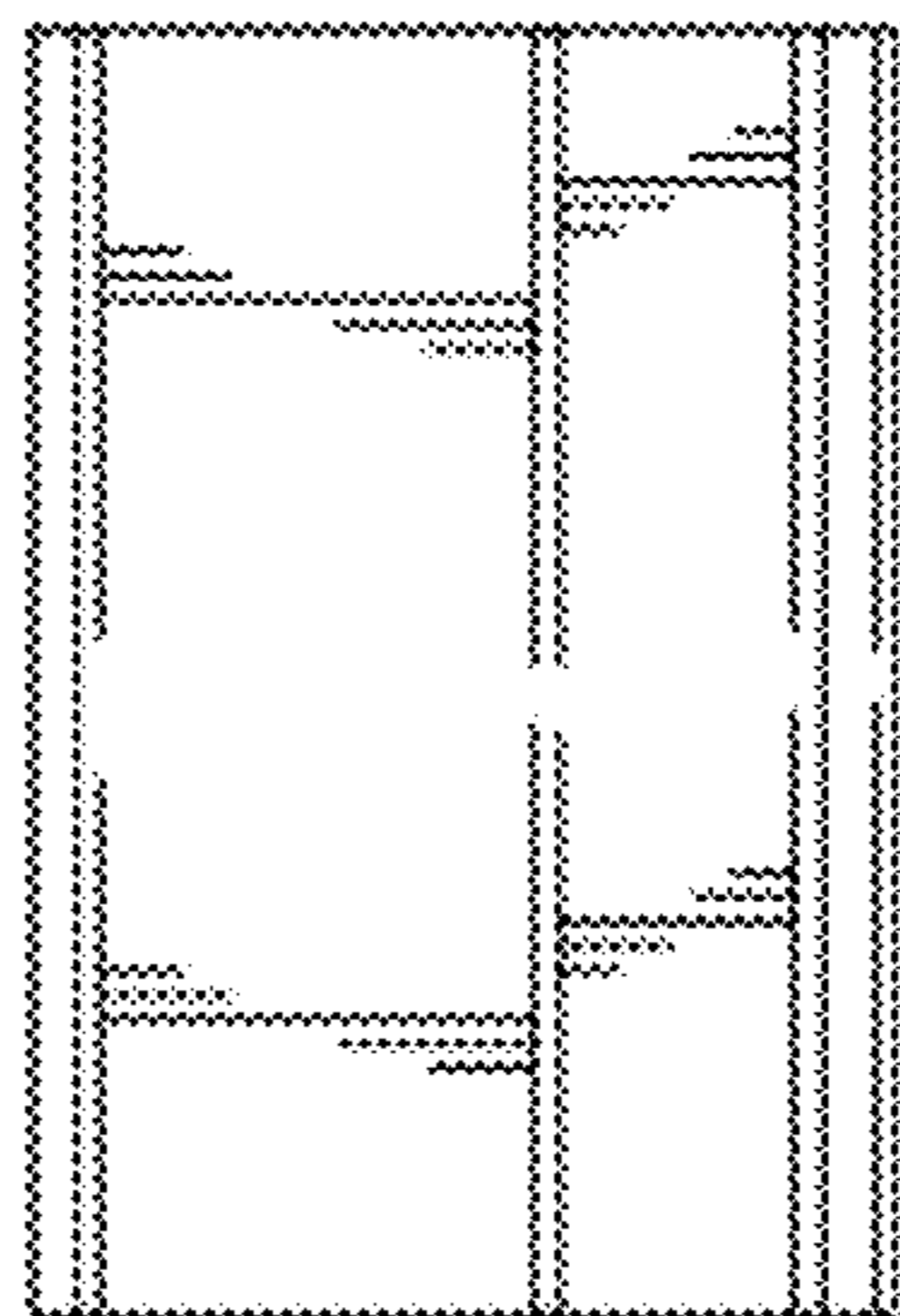


FIG. 4

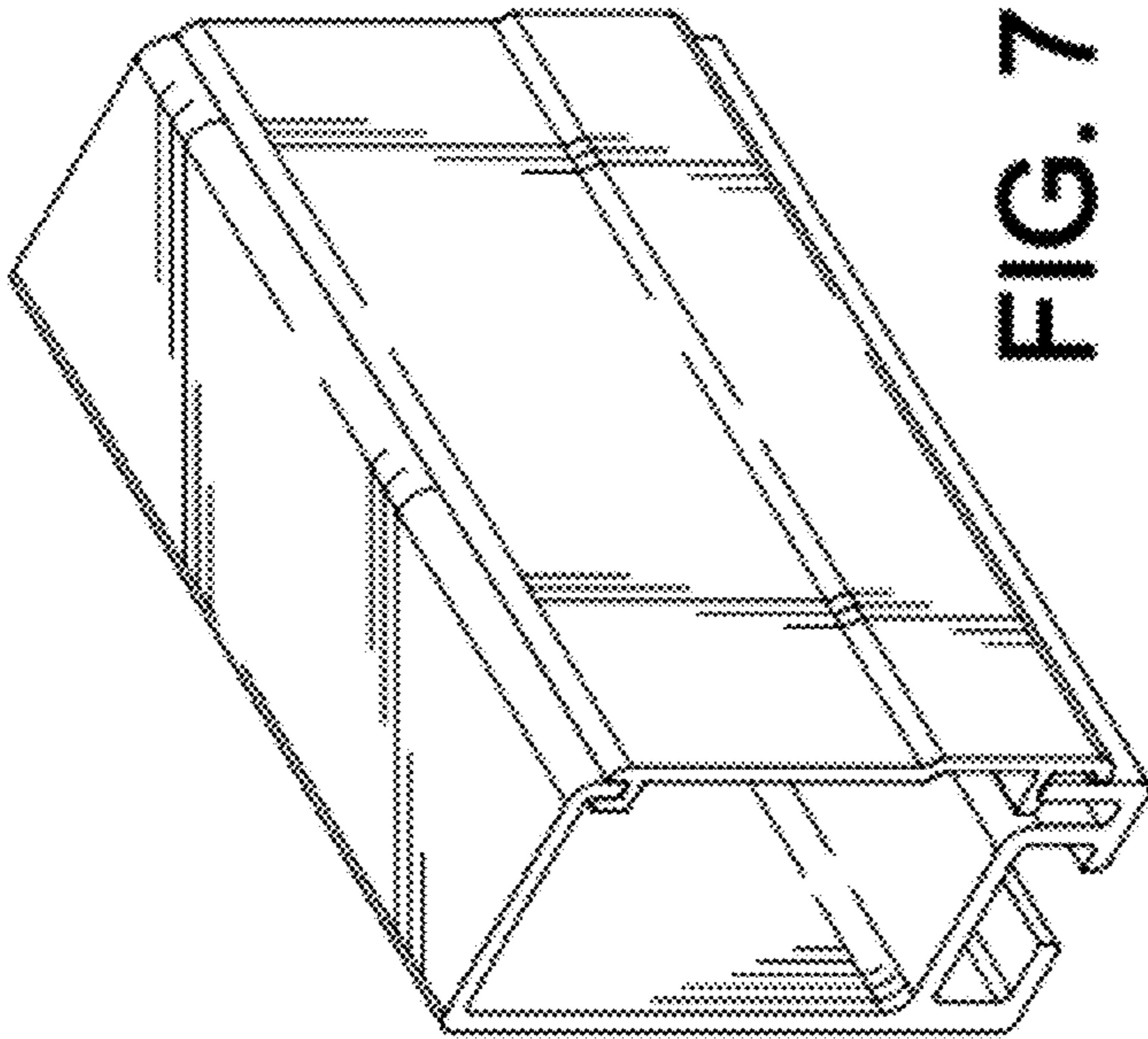


FIG. 7

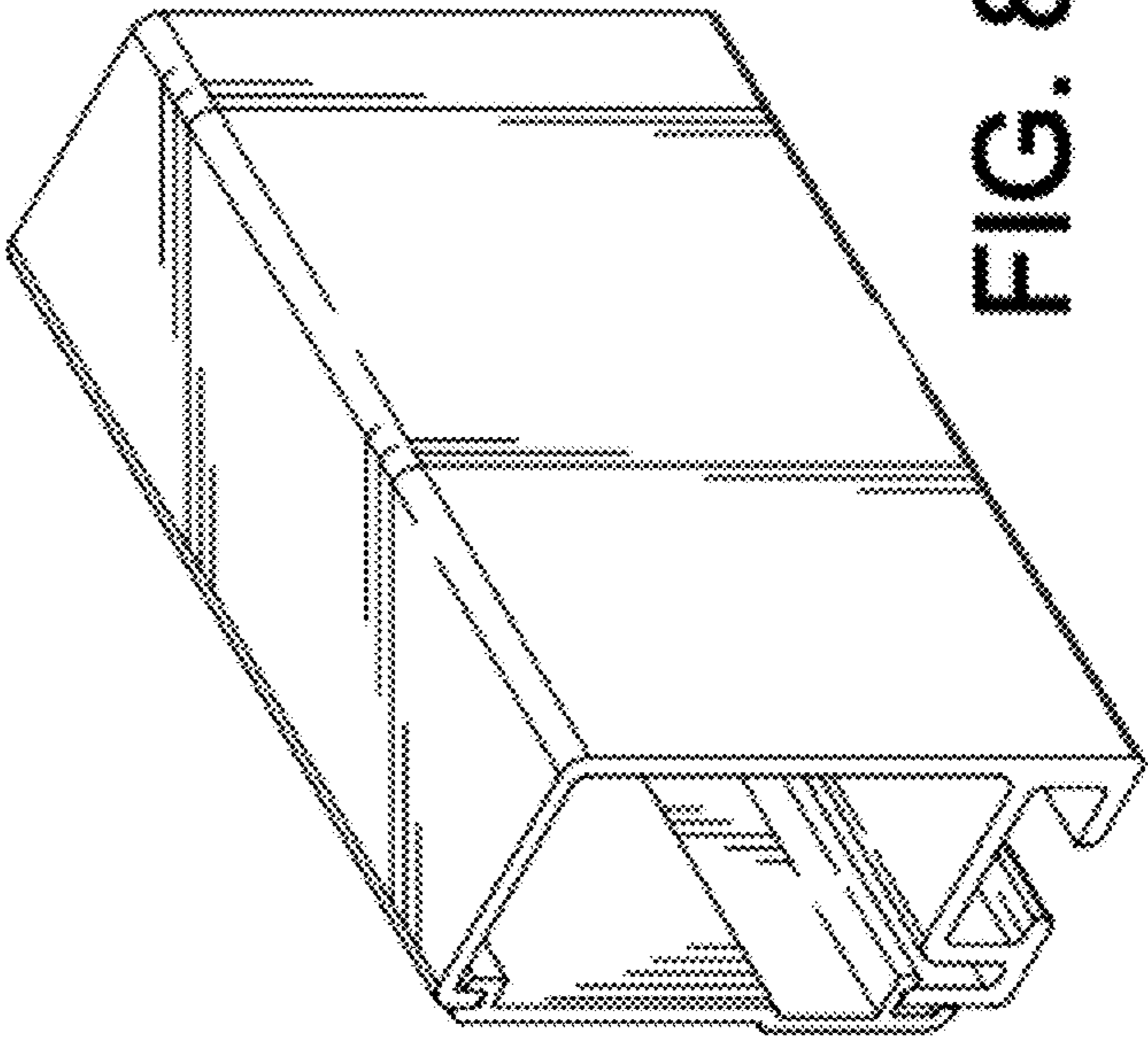


FIG. 8