



US00D673342S

(12) **United States Design Patent**  
**Kline et al.**

(10) **Patent No.:** **US D673,342 S**  
(45) **Date of Patent:** **\*\* Dec. 25, 2012**

(54) **BOX SHAPED DISPOSAL BIN FOR A TABLETOP**

D353,249 S \* 12/1994 Hallenbeck ..... D34/1  
D588,320 S \* 3/2009 Daams ..... D34/7  
D657,521 S \* 4/2012 Kneedler ..... D34/7

(75) Inventors: **Scott H. Kline**, Royal Palm Beach, FL (US); **Christine E. Rappolt**, Royal Palm Beach, FL (US)

\* cited by examiner

*Primary Examiner* — Cynthia Ramirez

(73) Assignee: **WT Inventures, LLC**, Royal Palm Beach, FL (US)

(74) *Attorney, Agent, or Firm* — McHale & Slavin, P.A.

(\*\*) Term: **14 Years**

(57) **CLAIM**

The ornamental design for a box shaped disposal bin for a tabletop, as shown and described.

(21) Appl. No.: **29/408,713**

**DESCRIPTION**

(22) Filed: **Dec. 15, 2011**

(51) **LOC (9) Cl.** ..... **09-09**

FIG. 1 is a perspective view of the box shaped disposal bin for a tabletop of the instant invention;

(52) **U.S. Cl.** ..... **D34/7**

FIG. 2 is a top view thereof;

(58) **Field of Classification Search** ..... D34/1-11;

FIG. 3 is a bottom view thereof;

220/908-913

FIG. 4 is a right side view thereof; and,

See application file for complete search history.

FIG. 5 is a left side view thereof.

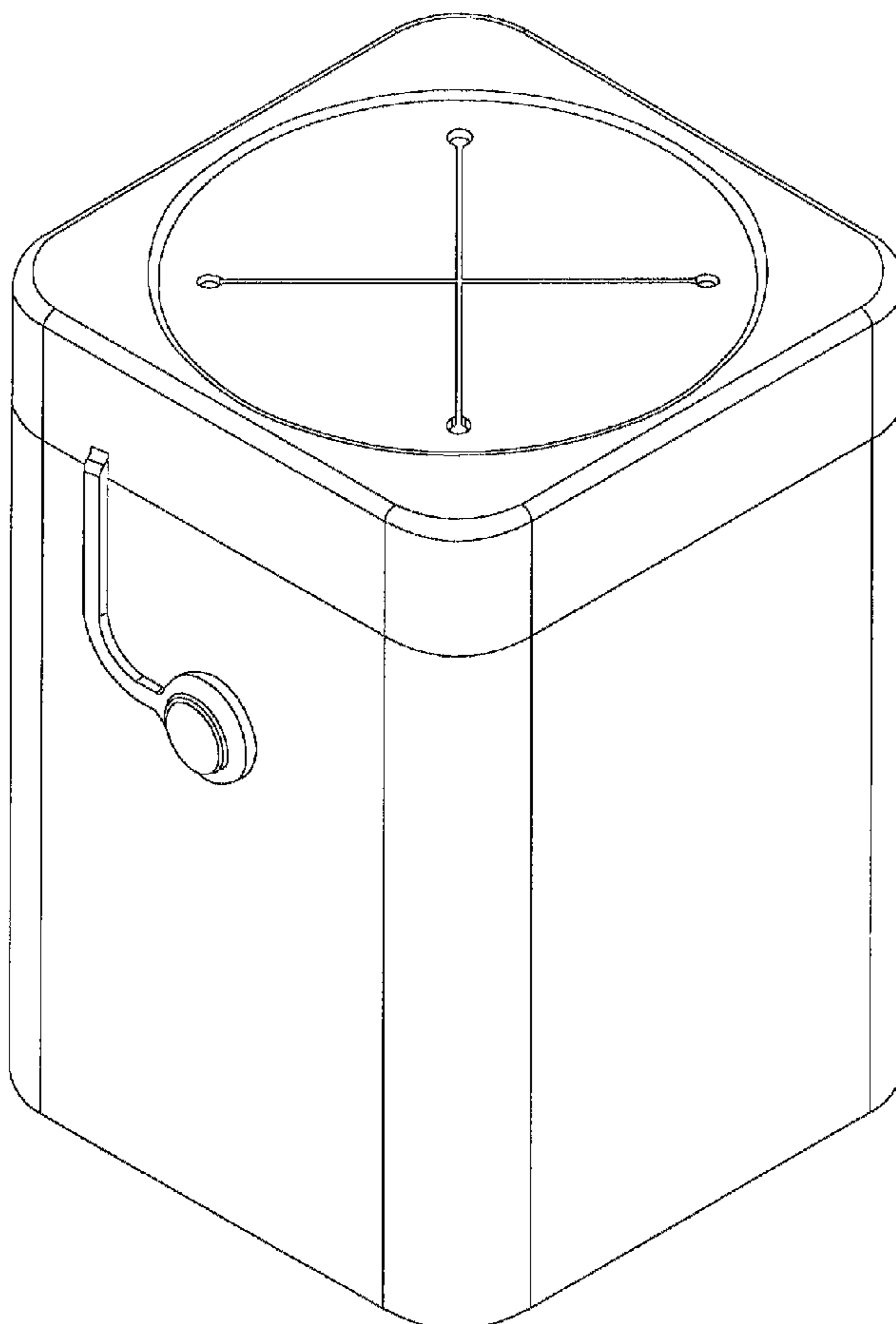
The portions of the figures illustrated in broken lines illustrate portions of the box shaped disposal bin for a tabletop which form no part of the claimed subject matter.

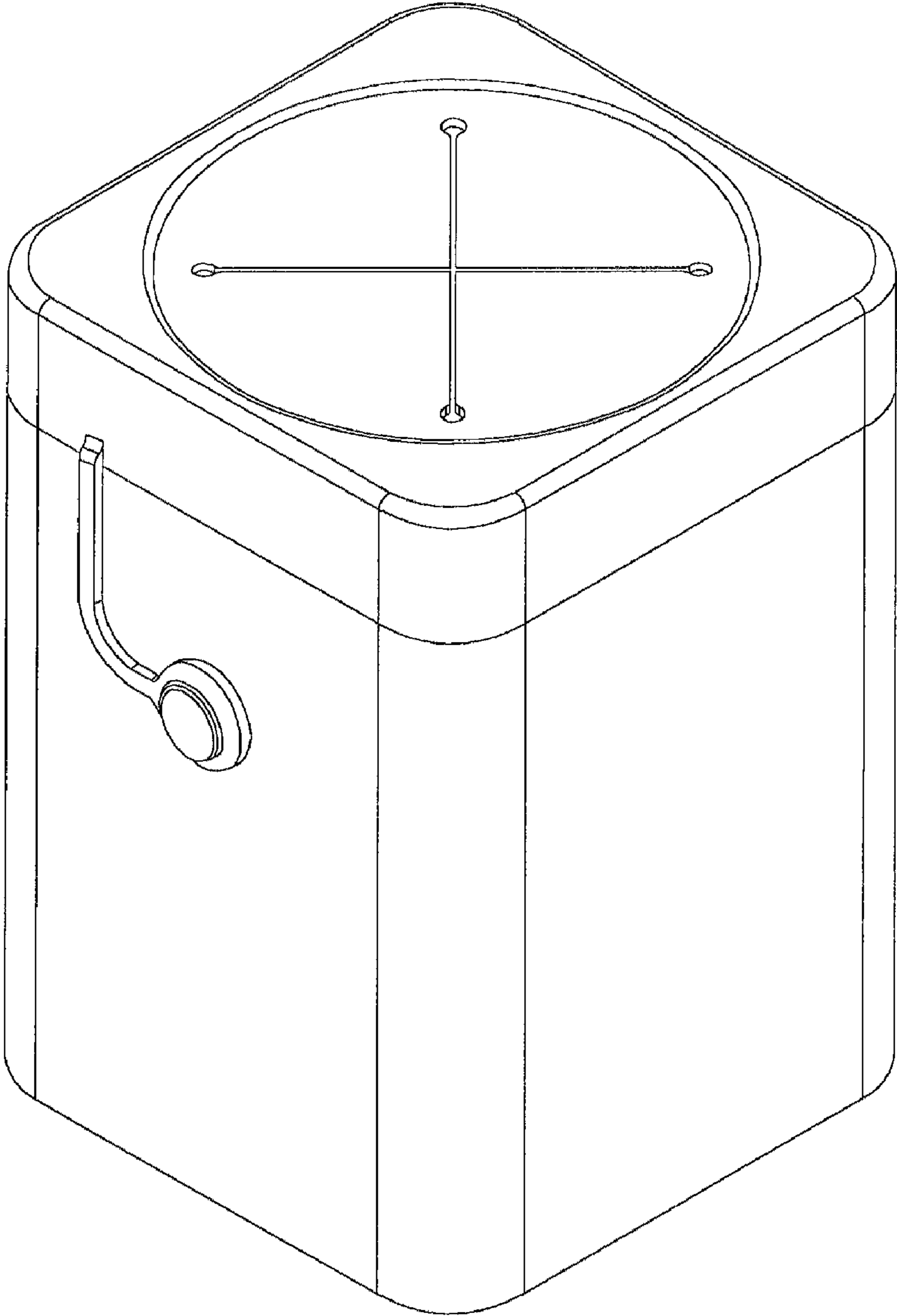
(56) **References Cited**

**U.S. PATENT DOCUMENTS**

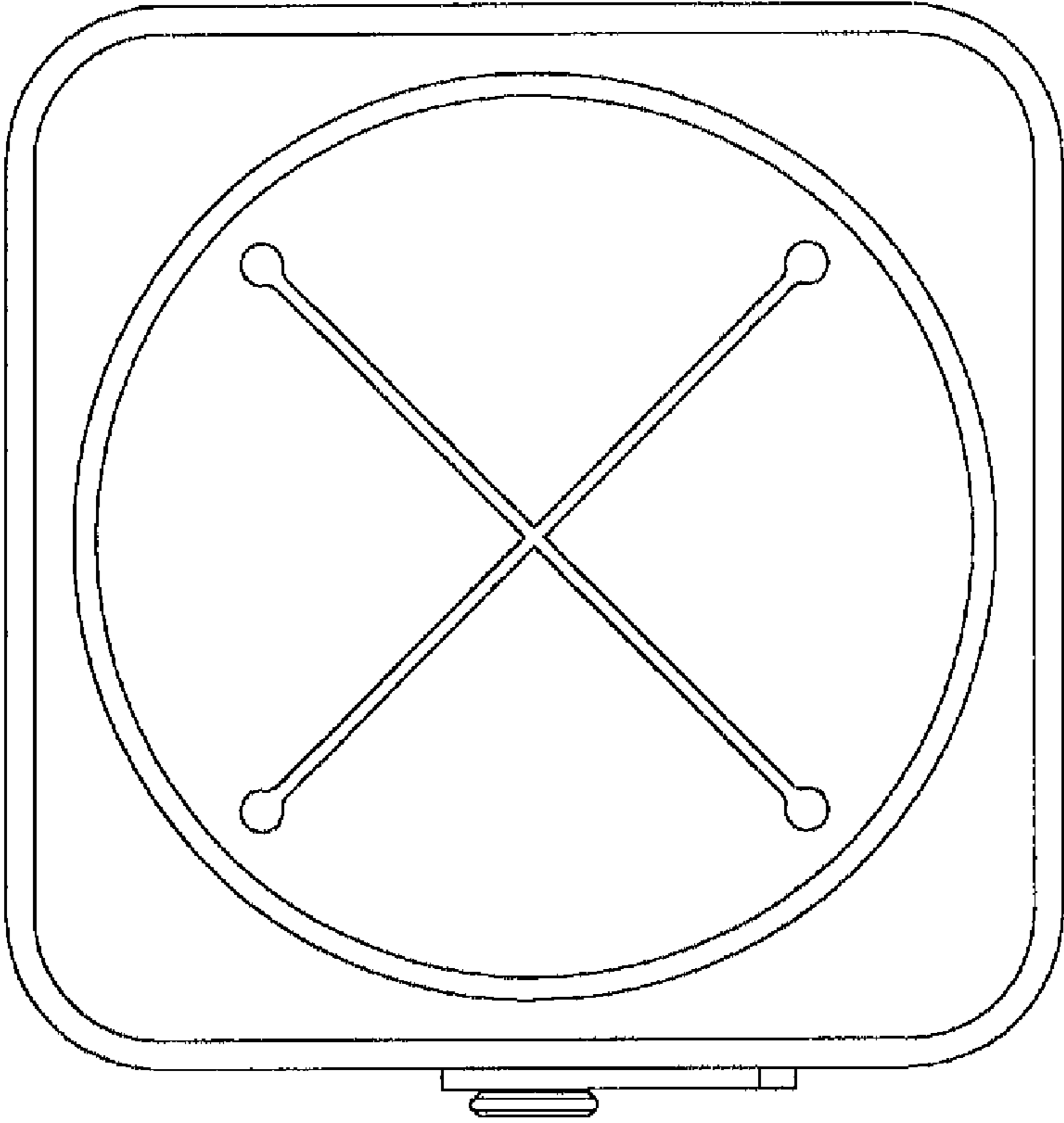
2,757,859 A \* 8/1956 Holland ..... 232/43.2

**1 Claim, 5 Drawing Sheets**

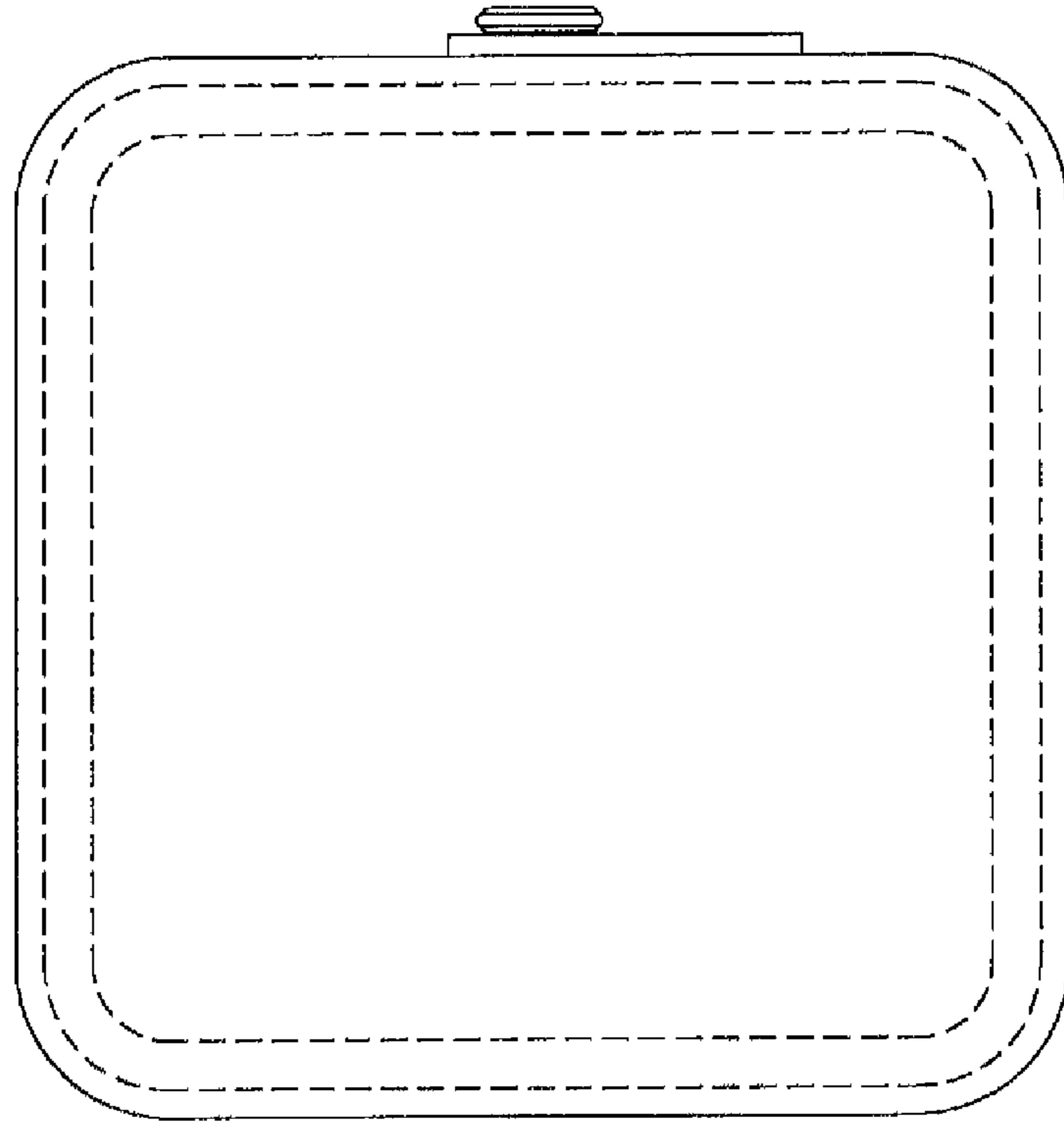




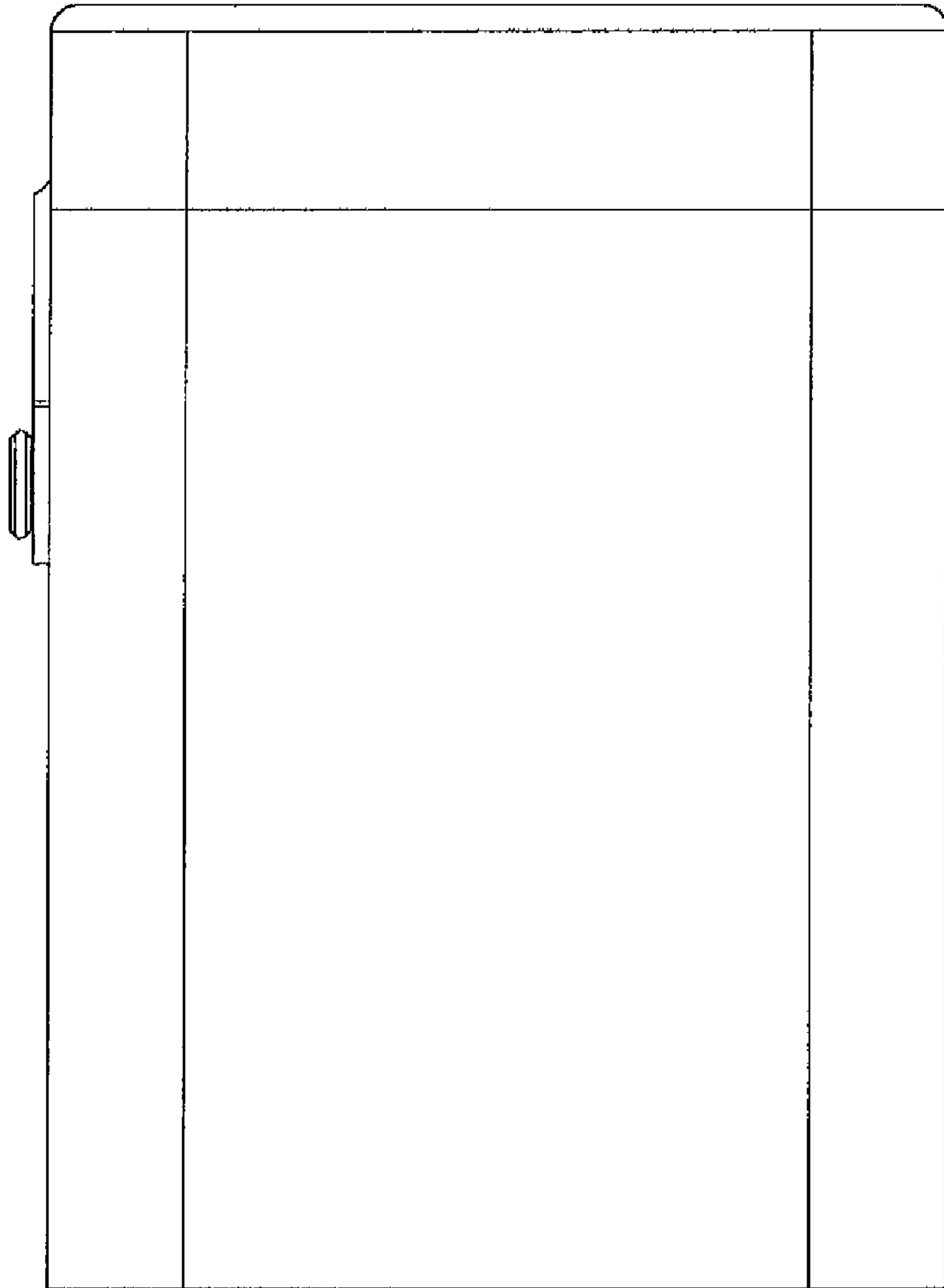
*Fig. 1*



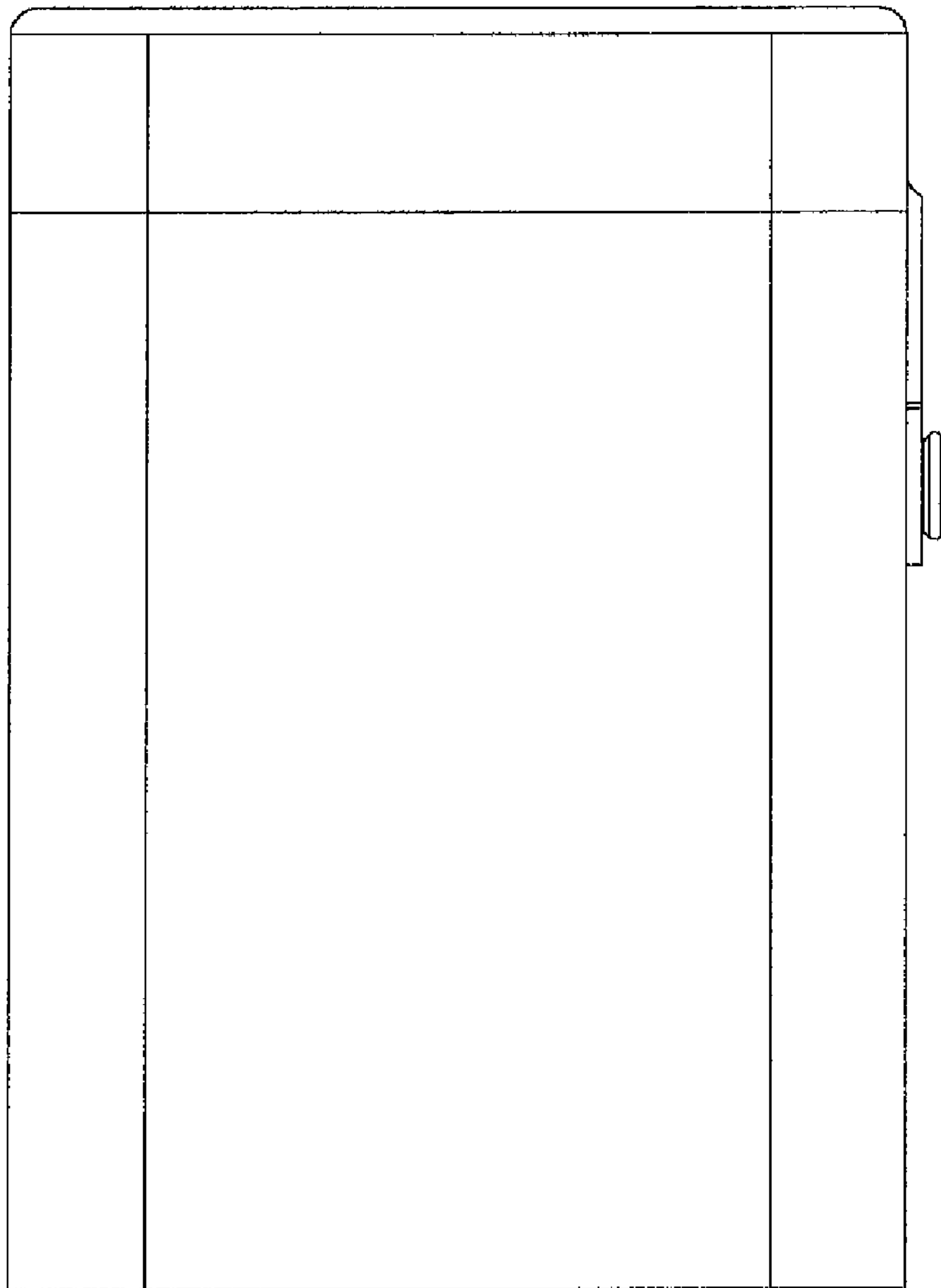
*Fig. 2*



*Fig. 3*



*Fig. 4*



*Fig. 5*