

US00D673341S

(12) **United States Design Patent**
Kline et al.

(10) **Patent No.:** **US D673,341 S**

(45) **Date of Patent:** **** Dec. 25, 2012**

(54) **CAN SHAPED DISPOSAL BIN FOR A TABLETOP**

(75) Inventors: **Scott H. Kline**, Royal Palm Beach, FL (US); **Christine E. Rappolt**, Royal Palm Beach, FL (US)

(73) Assignee: **WT Inventures, LLC**, Royal Palm Beach, FL (US)

(**) Term: **14 Years**

(21) Appl. No.: **29/408,705**

(22) Filed: **Dec. 15, 2011**

(51) **LOC (9) Cl.** **09-09**

(52) **U.S. Cl.** **D34/7**

(58) **Field of Classification Search** D34/1-11;
220/908-913

See application file for complete search history.

(56) **References Cited**

U.S. PATENT DOCUMENTS

2,757,859	A *	8/1956	Holland	232/43.2
D353,249	S *	12/1994	Hallenbeck	D34/1
D588,320	S *	3/2009	Daams	D34/7
D657,521	S *	4/2012	Kneedler	D34/7

* cited by examiner

Primary Examiner — Cynthia Ramirez

(74) *Attorney, Agent, or Firm* — McHale & Slavin, P.A.

(57) **CLAIM**

The ornamental design for a can shaped disposal bin for a tabletop, as shown and described.

DESCRIPTION

FIG. 1 is a perspective view of the can shaped disposal bin for a tabletop of the instant invention;

FIG. 2 is a top view thereof;

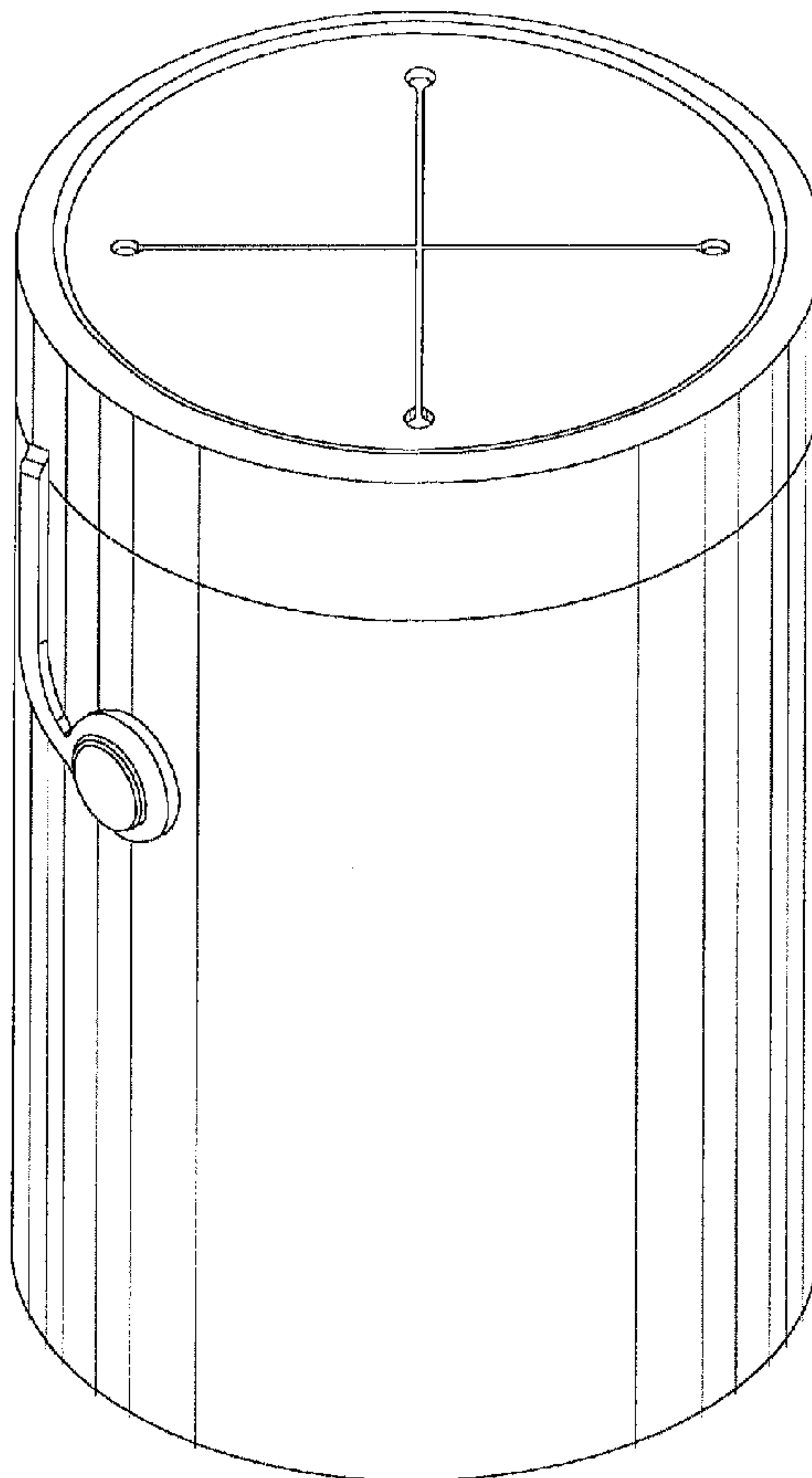
FIG. 3 is a bottom view thereof;

FIG. 4 is a right side view thereof; and,

FIG. 5 is a left side view thereof.

The portions of the figures illustrated in broken lines illustrate portions of the can shaped disposal bin for a tabletop which form no part of the claimed subject matter.

1 Claim, 5 Drawing Sheets



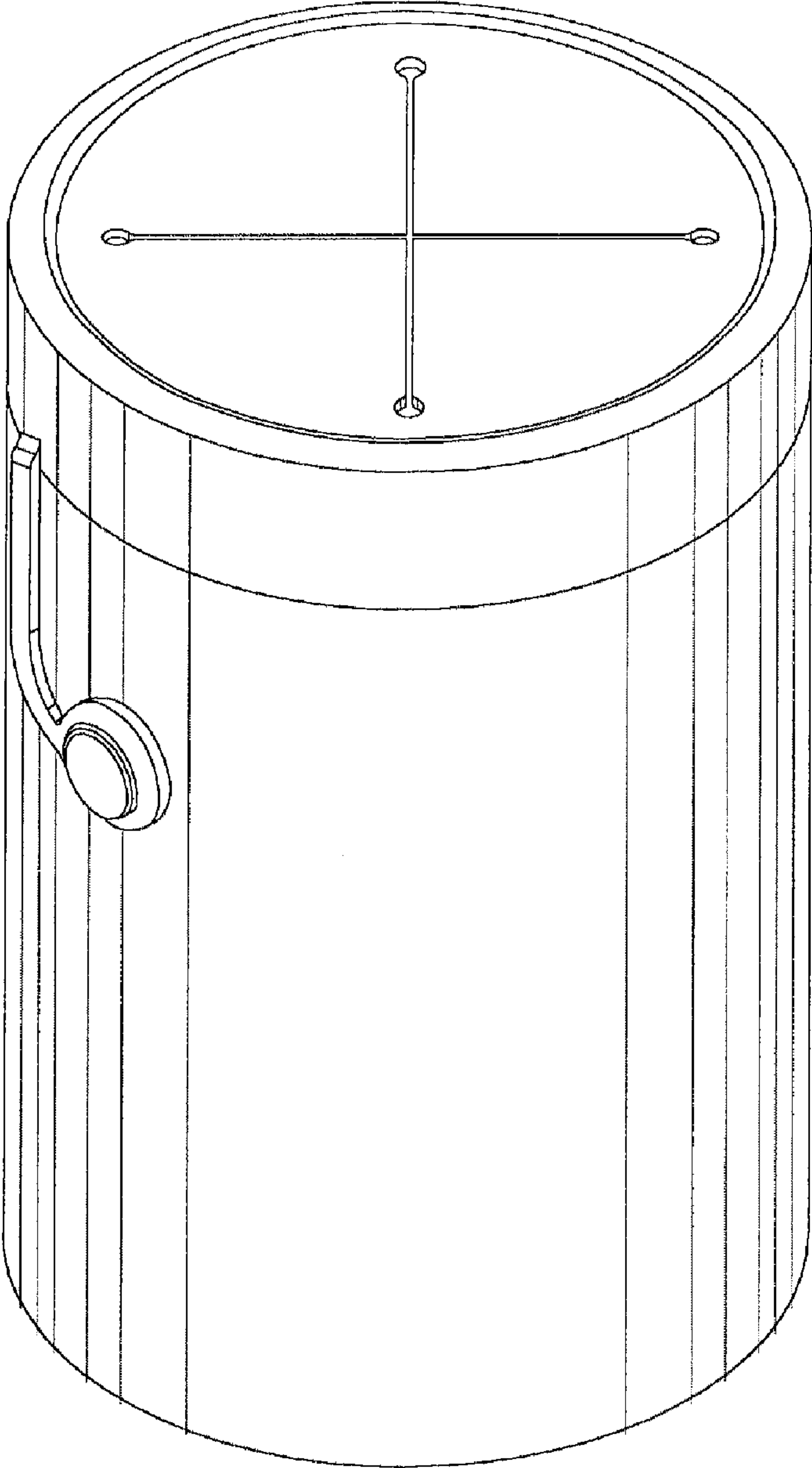


Fig. 1

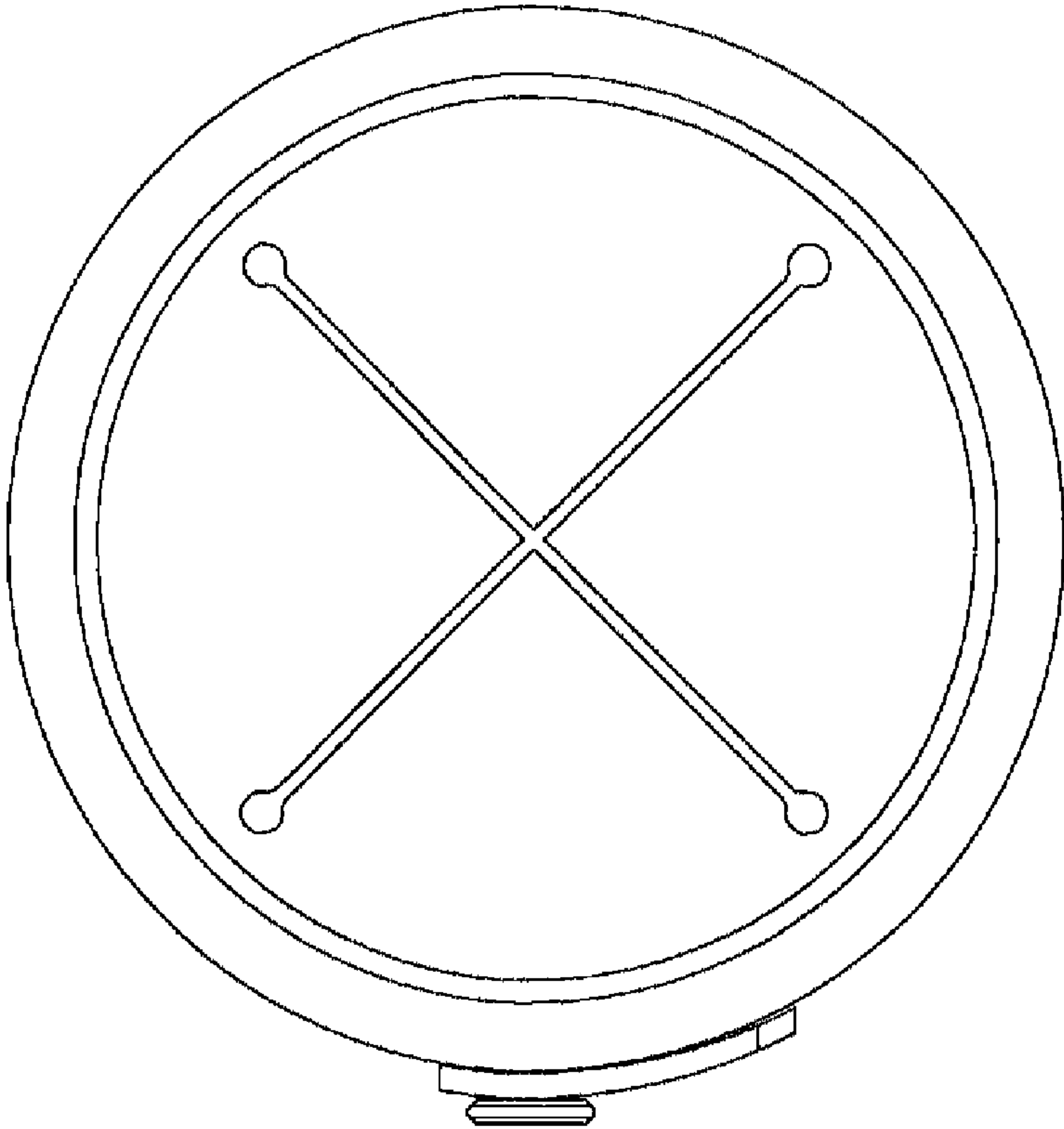


Fig. 2

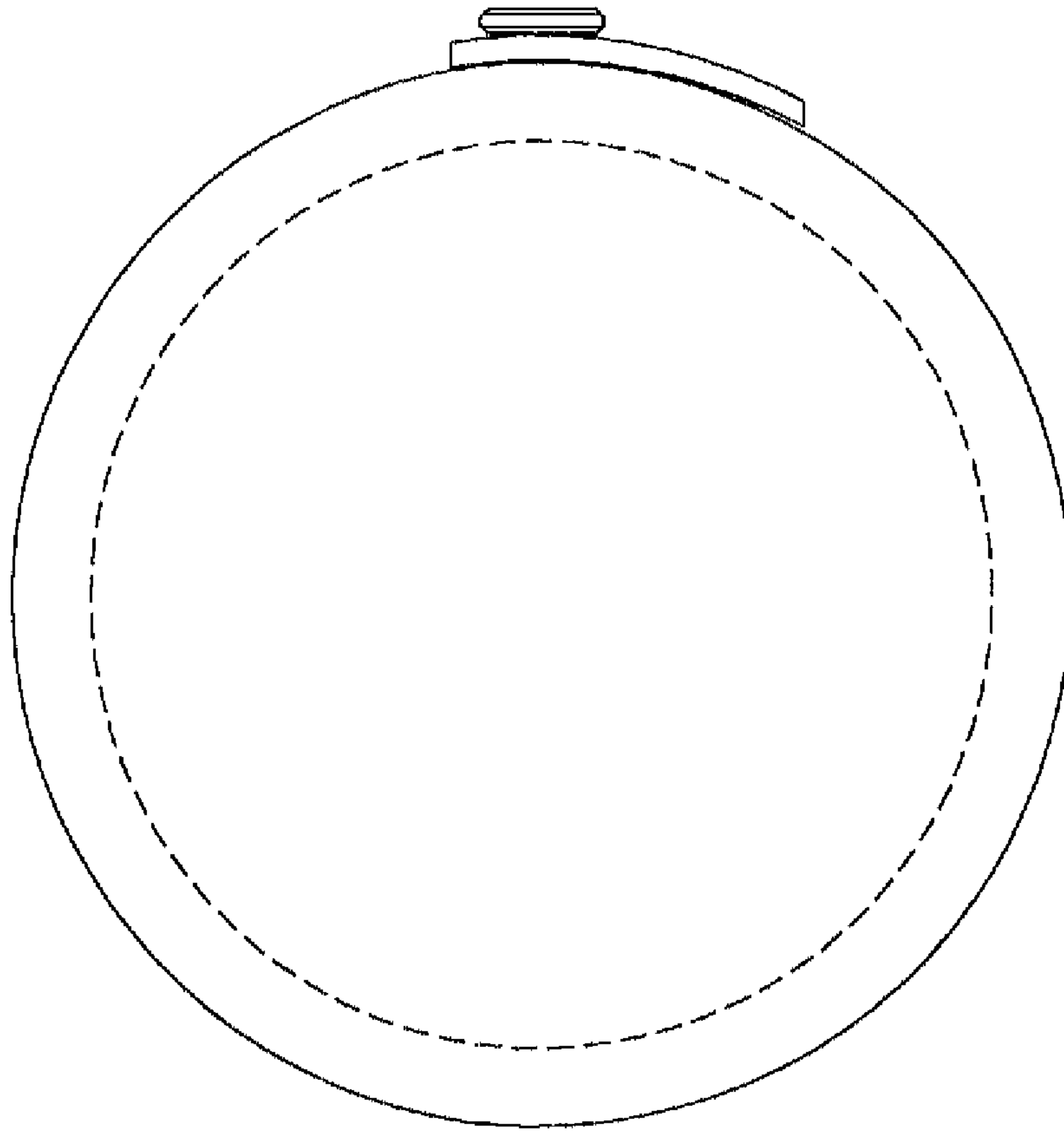


Fig. 3

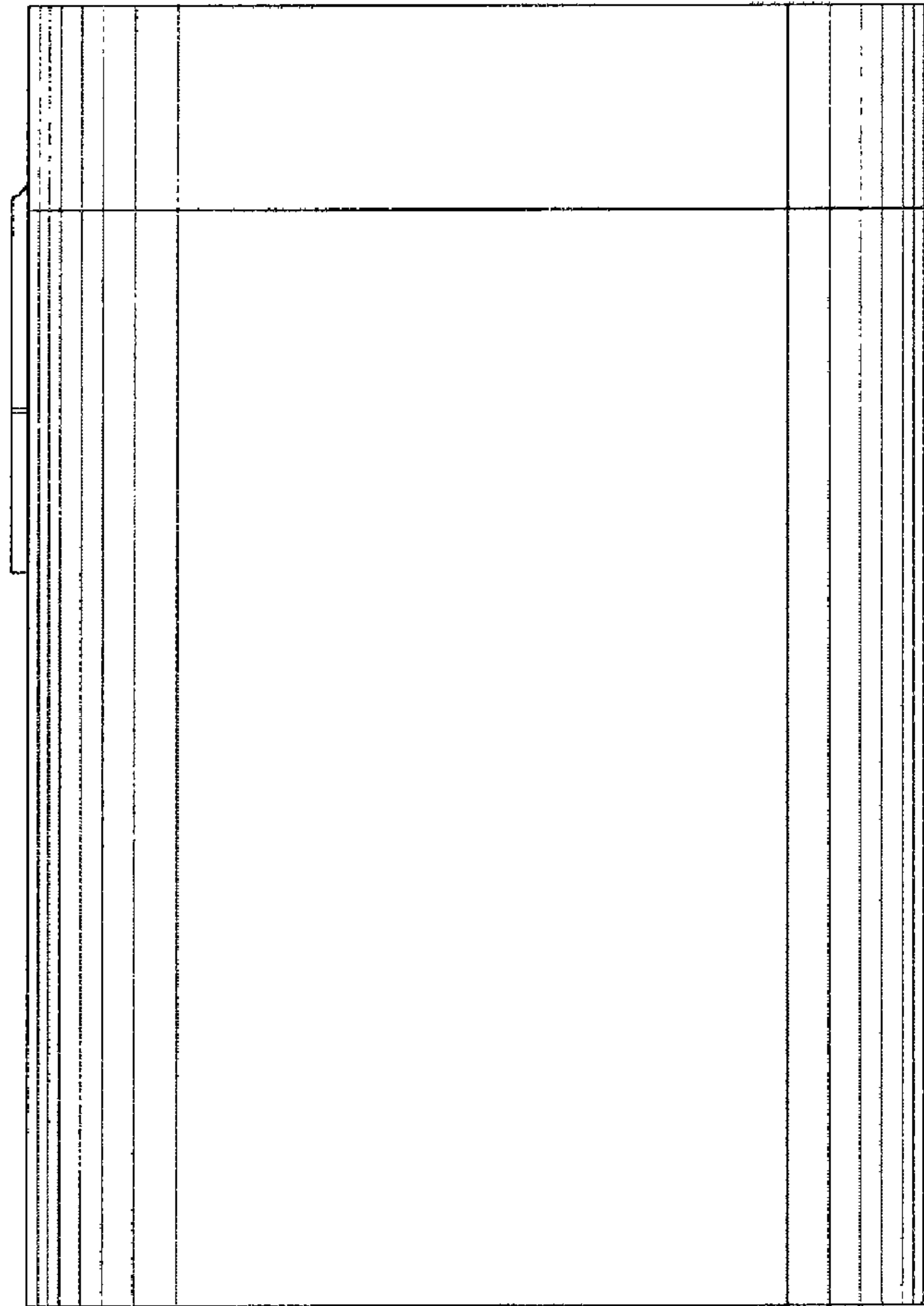


Fig. 4

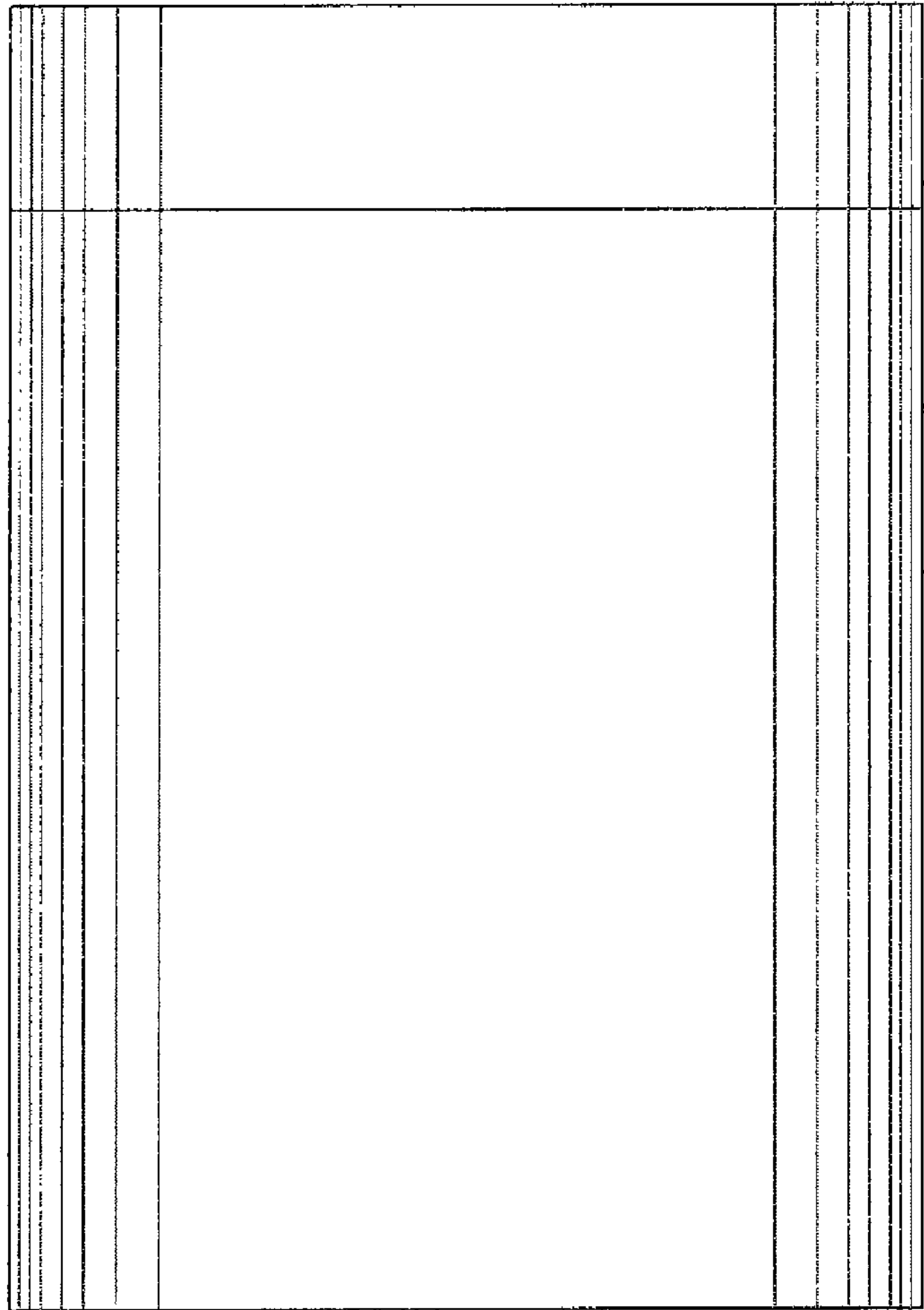


Fig. 5