



US00D673340S

(12) **United States Design Patent**
Dobson, III

(10) **Patent No.:** **US D673,340 S**

(45) **Date of Patent:** **** Dec. 25, 2012**

(54) **DUSTPAN**

(76) **Inventor:** **Eben W. Dobson, III**, Solana Beach, CA
(US)

(**) **Term:** **14 Years**

(21) **Appl. No.:** **29/427,377**

(22) **Filed:** **Jul. 17, 2012**

(51) **LOC (9) Cl.** **07-05**

(52) **U.S. Cl.** **D32/74**

(58) **Field of Classification Search** D32/74,
D32/41; D30/162; D7/691, 688; D4/116;
15/257.5, 257.3, 257.2, 257.1; 134/6
See application file for complete search history.

(56) **References Cited**

U.S. PATENT DOCUMENTS

5,826,297	A *	10/1998	Footer et al.	15/257.2
D426,353	S *	6/2000	Renforth	D30/162
6,643,892	B1 *	11/2003	Murphy	15/257.3
D508,760	S *	8/2005	Berti	D32/74
D594,618	S *	6/2009	ekercio lu	D32/74

D630,401	S *	1/2011	Libman et al.	D32/74
D636,139	S *	4/2011	Jones et al.	D32/74
D643,985	S *	8/2011	Dedrick	D32/74
D667,192	S *	9/2012	Libman et al.	D32/74

* cited by examiner

Primary Examiner — Austin Murphy

(74) *Attorney, Agent, or Firm* — Roeder & Broder LLP;
James P. Broder

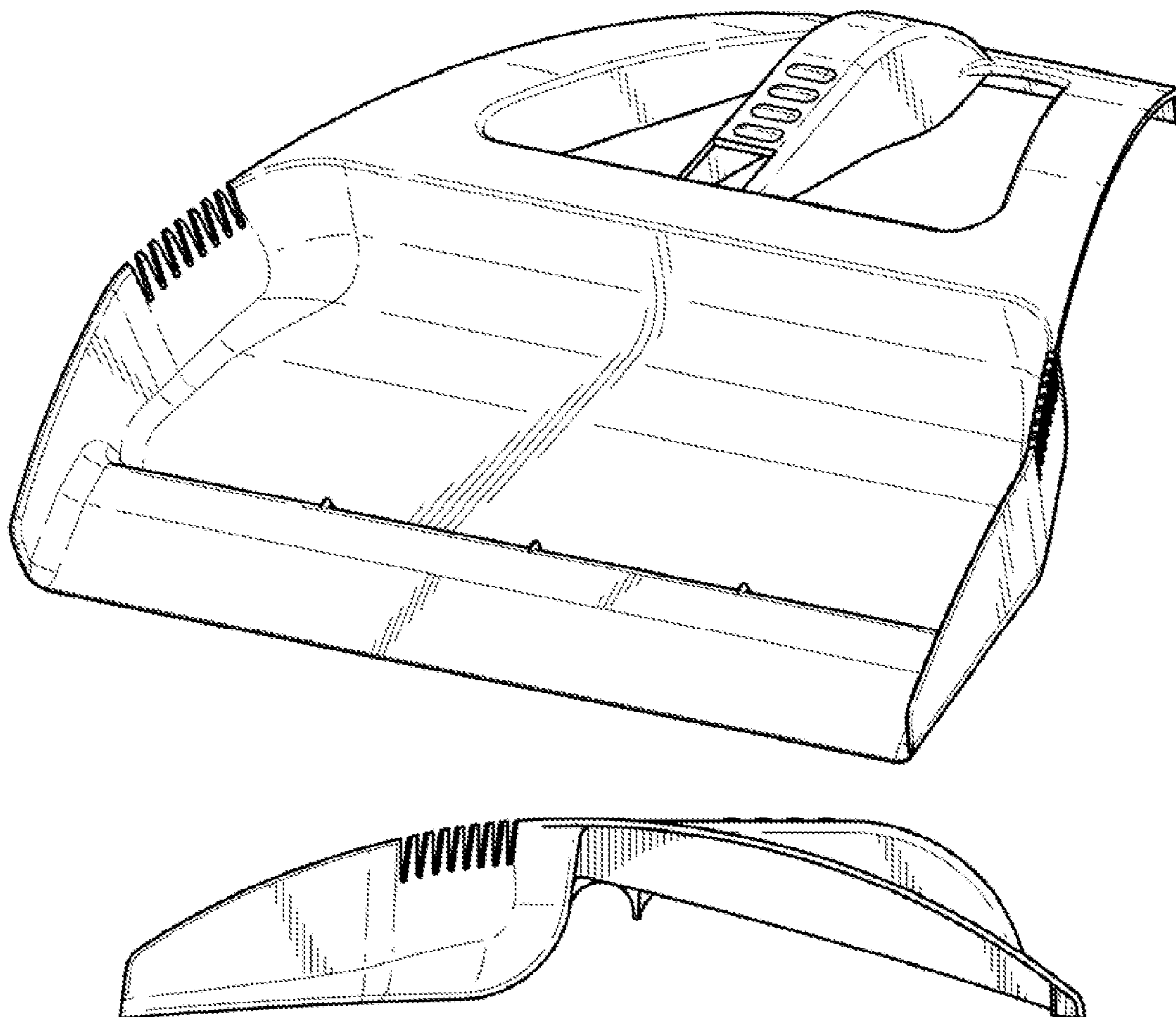
(57) **CLAIM**

The ornamental design for a dustpan, as shown and described.

DESCRIPTION

FIG. 1 is a perspective view of a dustpan;
FIG. 2 is a top view of the dustpan illustrated in FIG. 1;
FIG. 3 is a front view of the dustpan illustrated in FIG. 1;
FIG. 4 is a rear view of the dustpan illustrated in FIG. 1;
FIG. 5 is a bottom view of the dustpan illustrated in FIG. 1;
FIG. 6 is a side view of the dustpan illustrated in FIG. 1; and,
FIG. 7 is a cross-sectional view of the dustpan taken on line
7-7 in FIG. 2.

1 Claim, 4 Drawing Sheets



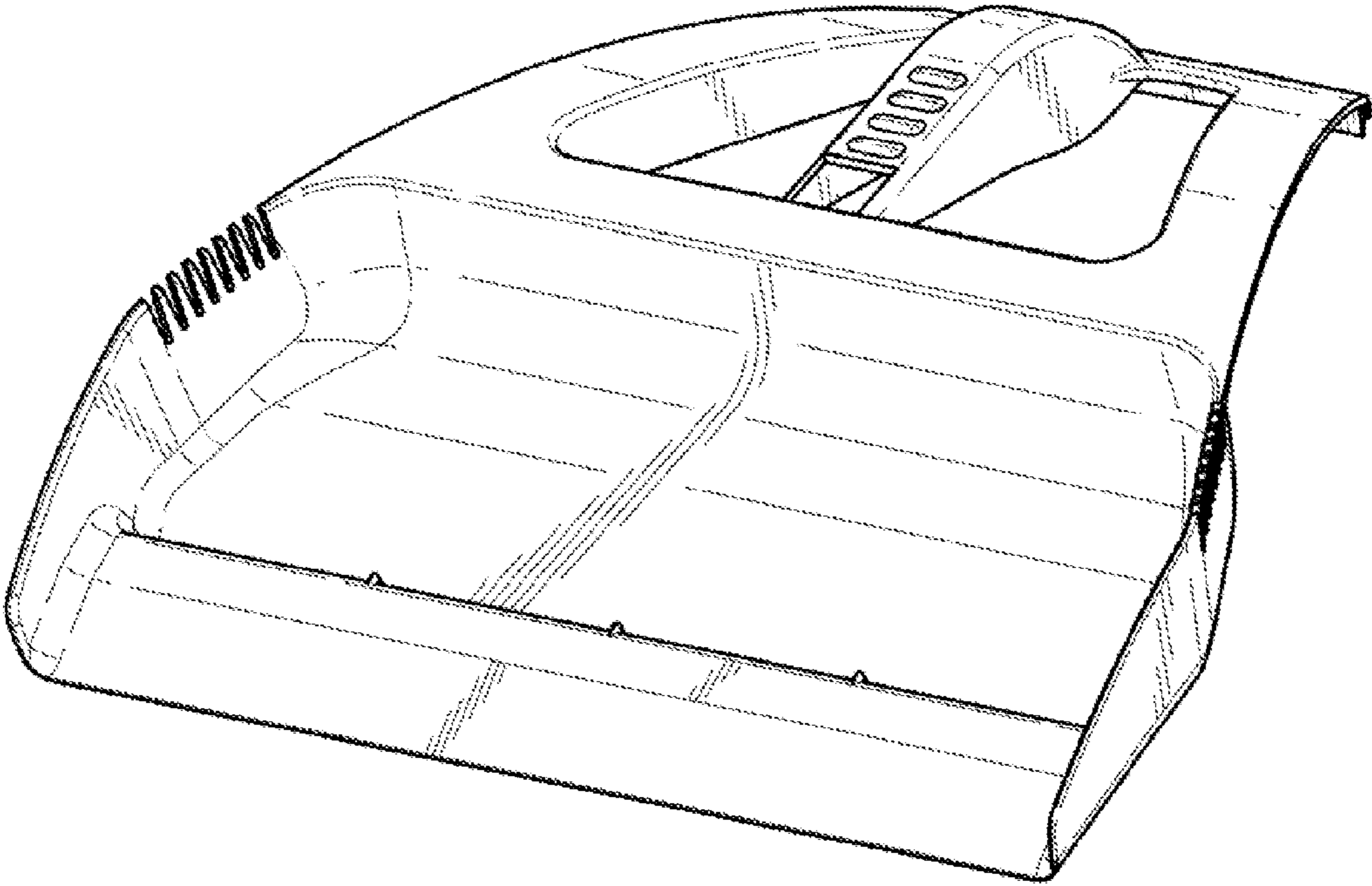


FIG. 1

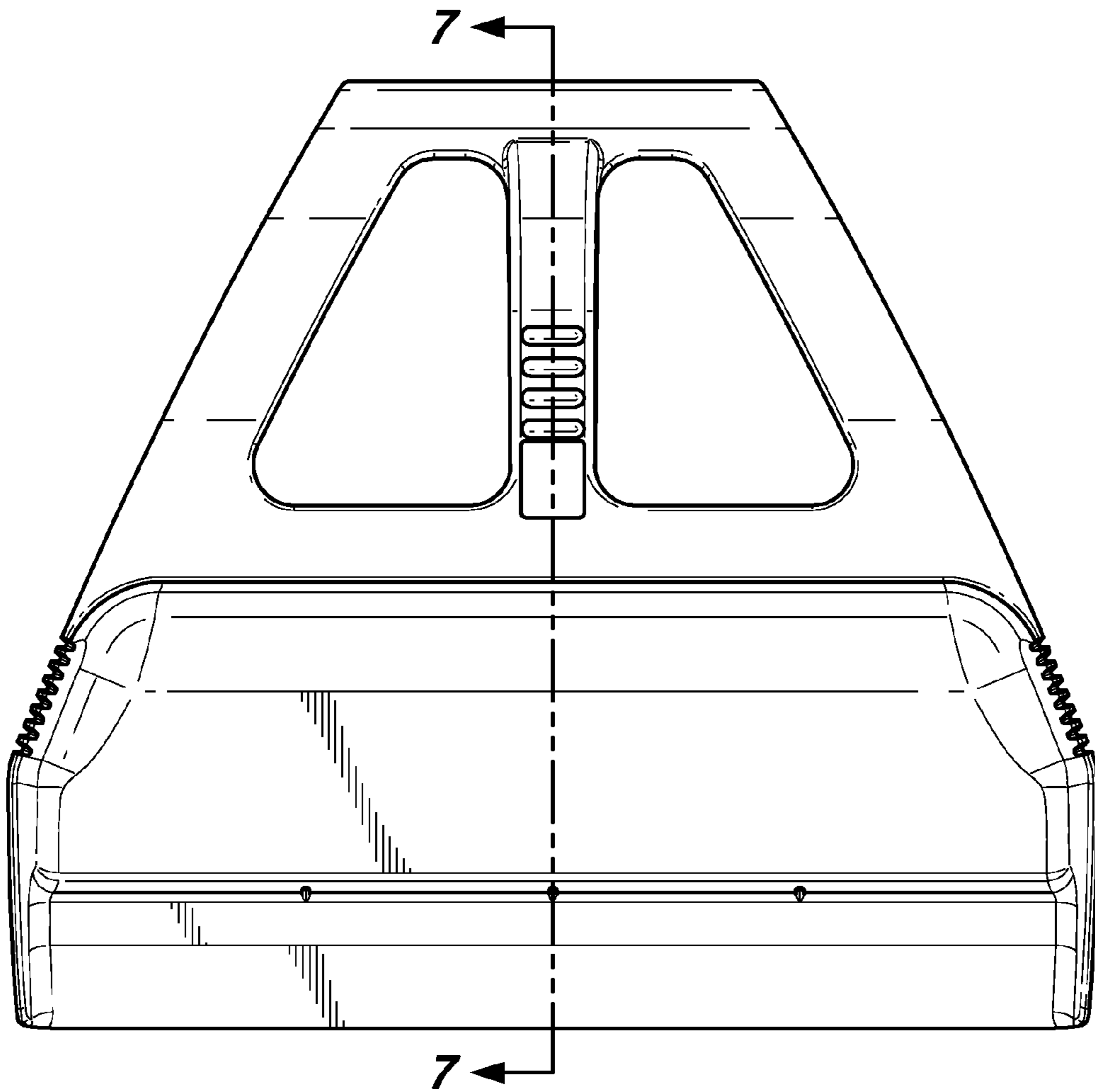


FIG. 2

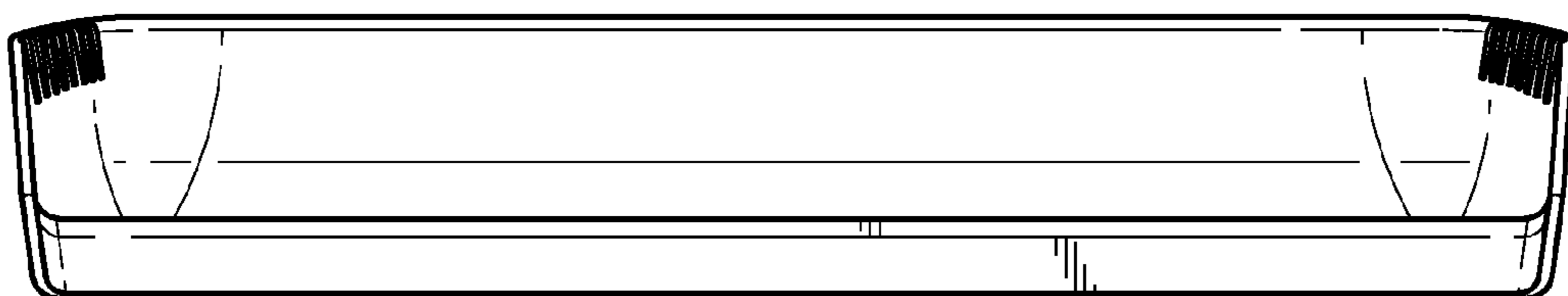


FIG. 3

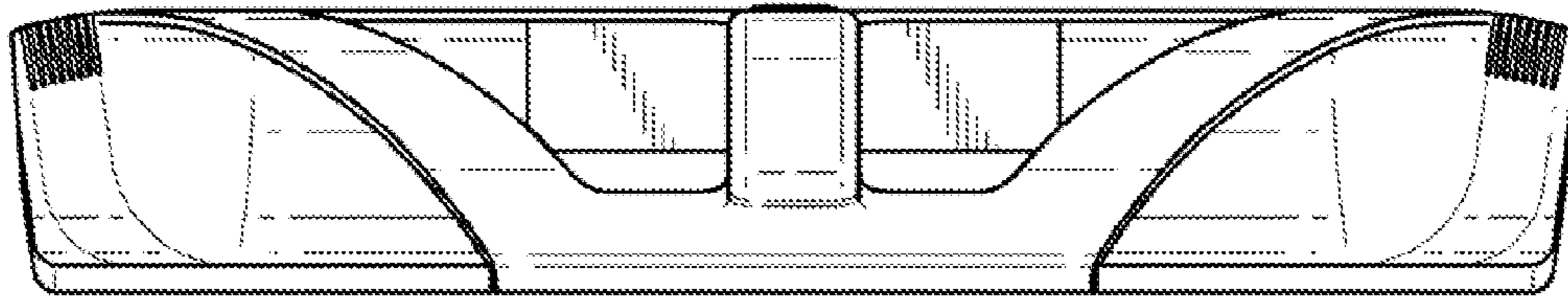


FIG. 4

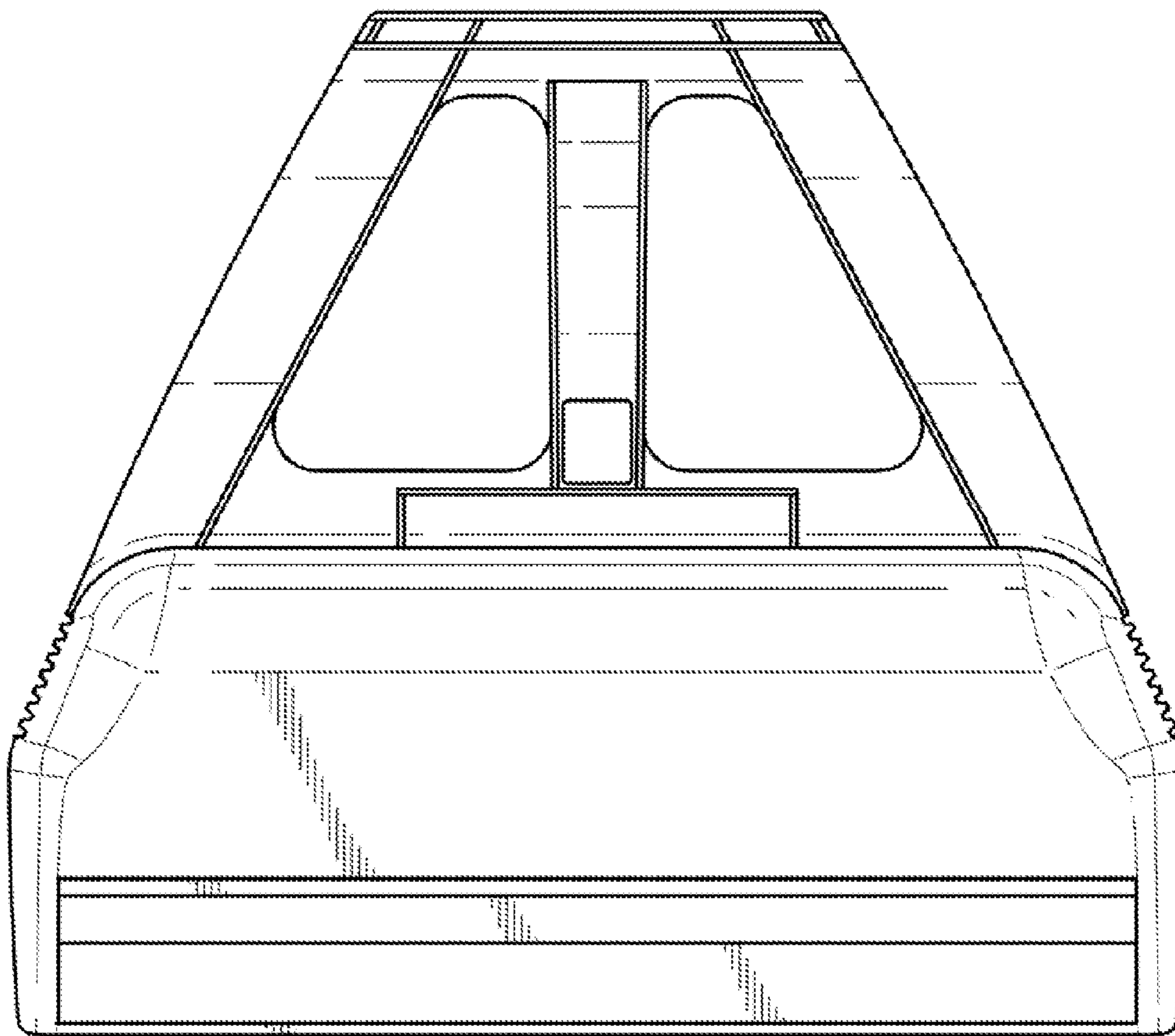


FIG. 5

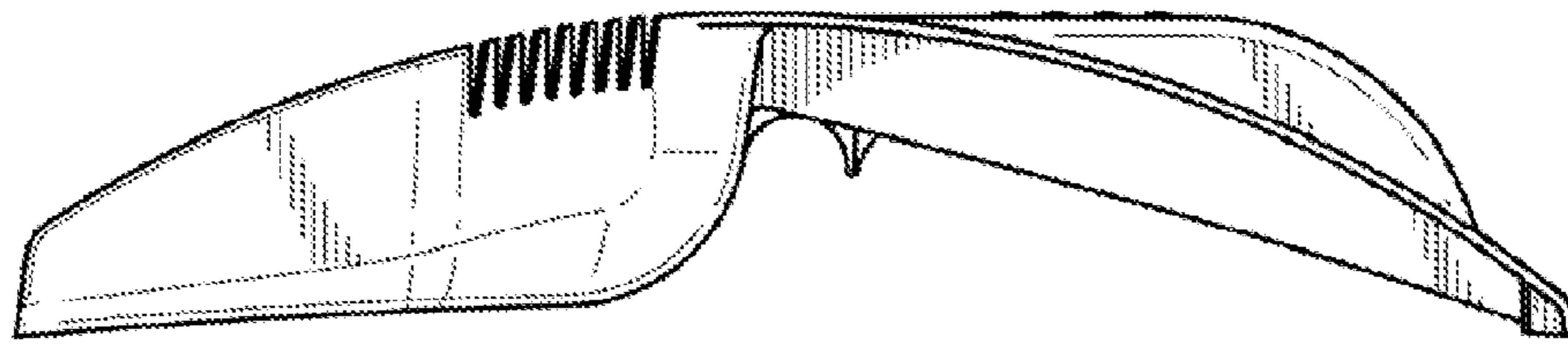


FIG. 6

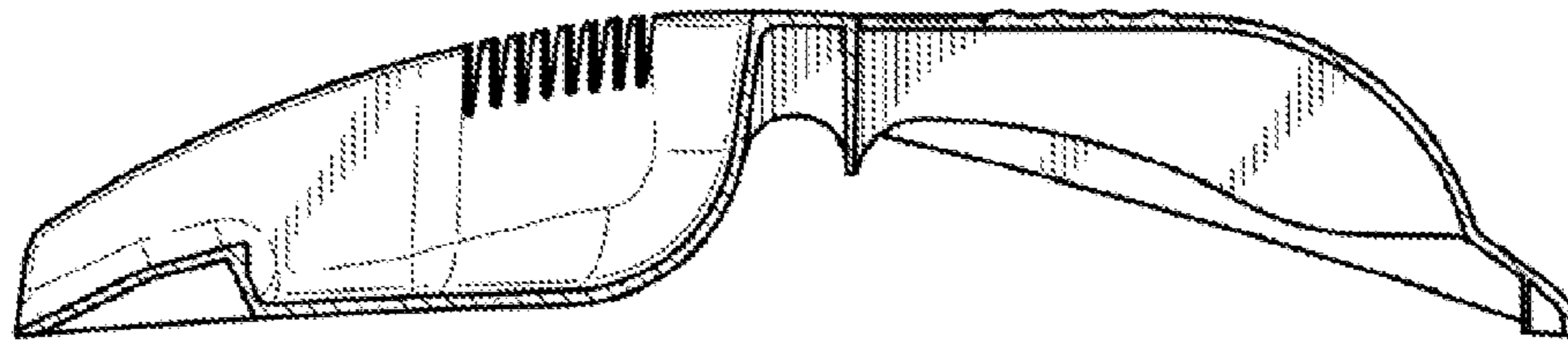


FIG. 7