



US00D673338S

(12) **United States Design Patent**  
**Branham**

(10) **Patent No.:** **US D673,338 S**

(45) **Date of Patent:** **\*\* Dec. 25, 2012**

(54) **SELF-LEVELING PAINT BUCKET**

(76) Inventor: **David Branham**, Roy, WA (US)

(\*\*) Term: **14 Years**

(21) Appl. No.: **29/399,546**

(22) Filed: **Aug. 16, 2011**

(51) **LOC (9) Cl.** ..... **07-07**

(52) **U.S. Cl.** ..... **D32/53**

(58) **Field of Classification Search** ..... D32/53-54;  
15/260-264; 220/904; 248/148, 237  
See application file for complete search history.

(56) **References Cited**

**U.S. PATENT DOCUMENTS**

1,021,903	A *	4/1912	Stahr	248/148
1,423,726	A *	7/1922	Mohr et al.	248/148
2,561,845	A *	7/1951	Curry	248/148
2,750,139	A *	6/1956	Young	248/148
2,837,305	A *	6/1958	Andren	248/148
4,519,565	A *	5/1985	Whitmore	248/237
4,842,229	A *	6/1989	Murray	248/148
4,962,906	A *	10/1990	Fatool et al.	248/148
5,078,350	A *	1/1992	Zorichak	248/148

D350,425	S *	9/1994	Walker	D32/53.1
D368,647	S *	4/1996	Koebbe	D8/355
5,979,600	A *	11/1999	Bitner	182/45
D424,768	S *	5/2000	Tsou	D32/53
6,533,227	B1 *	3/2003	Rom	248/148
D509,034	S *	8/2005	Morelock	D32/53.1
7,984,821	B1 *	7/2011	Malmberg	220/631

\* cited by examiner

*Primary Examiner* — Robin V Webster

(74) *Attorney, Agent, or Firm* — Kyle Fletcher

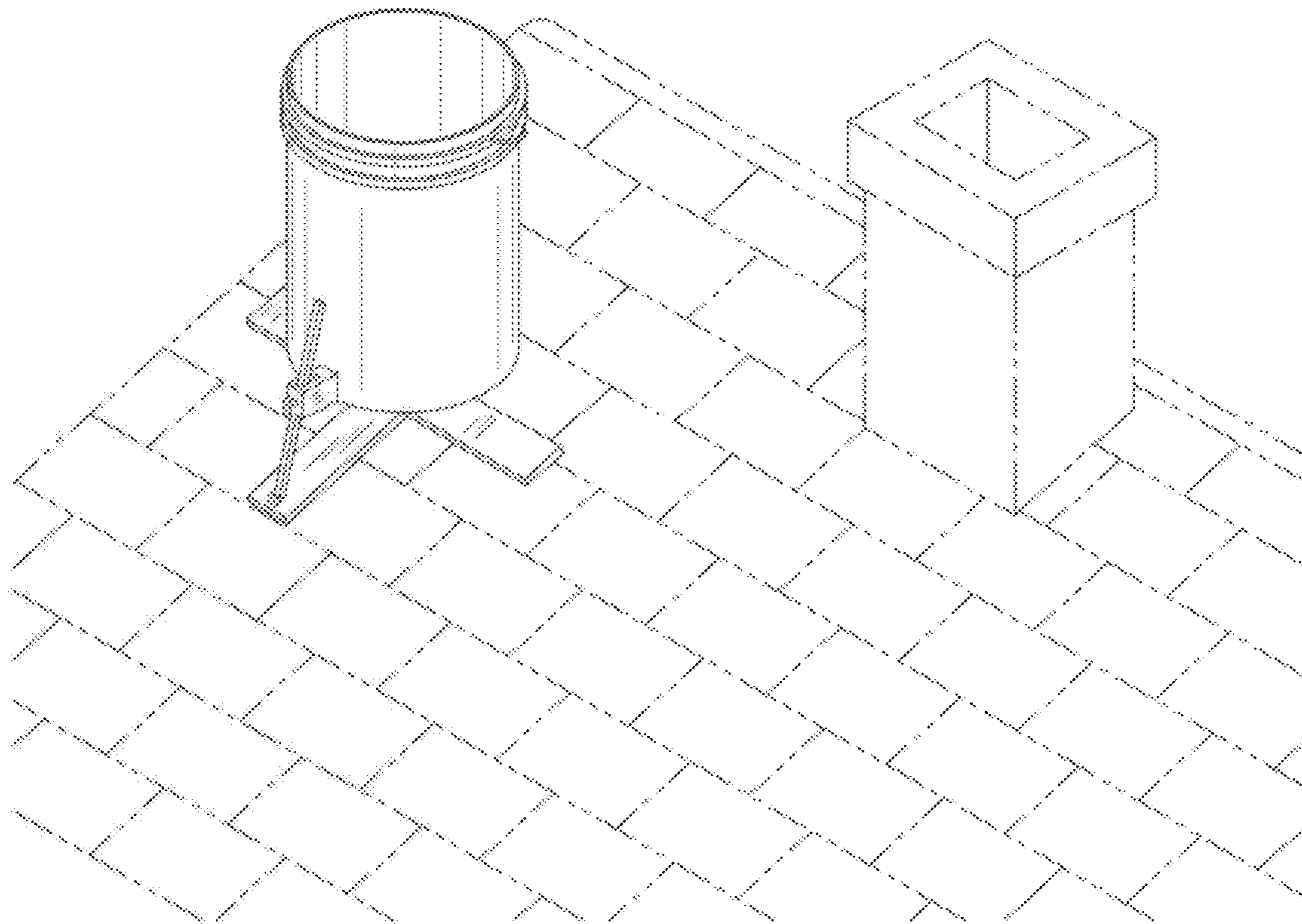
(57) **CLAIM**

The ornamental design for the self-leveling paint bucket, as shown and described.

**DESCRIPTION**

FIG. 1 is a front view of the self-leveling paint bucket. FIG. 2 is a rear view of the claimed design. FIG. 3 is a left side view of the claimed design. FIG. 4 is a top view of the claimed design. FIG. 5 is a bottom view of the claimed design; and, FIG. 6 is a perspective view of the claimed design in use on a roof, which is depicted in dashed lines and is environmental matter forming no part of the claimed design.

**1 Claim, 6 Drawing Sheets**



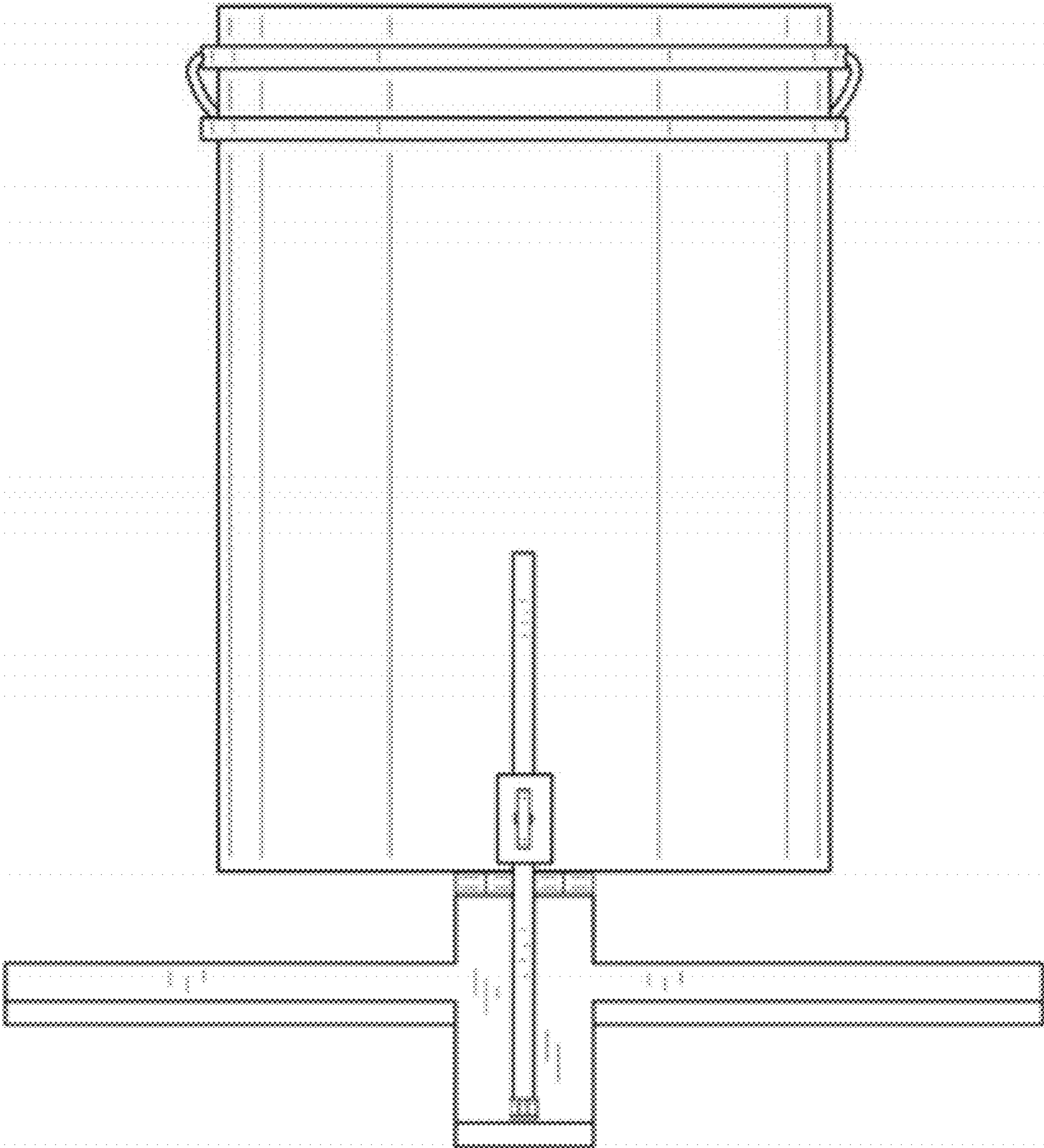


FIG. 1

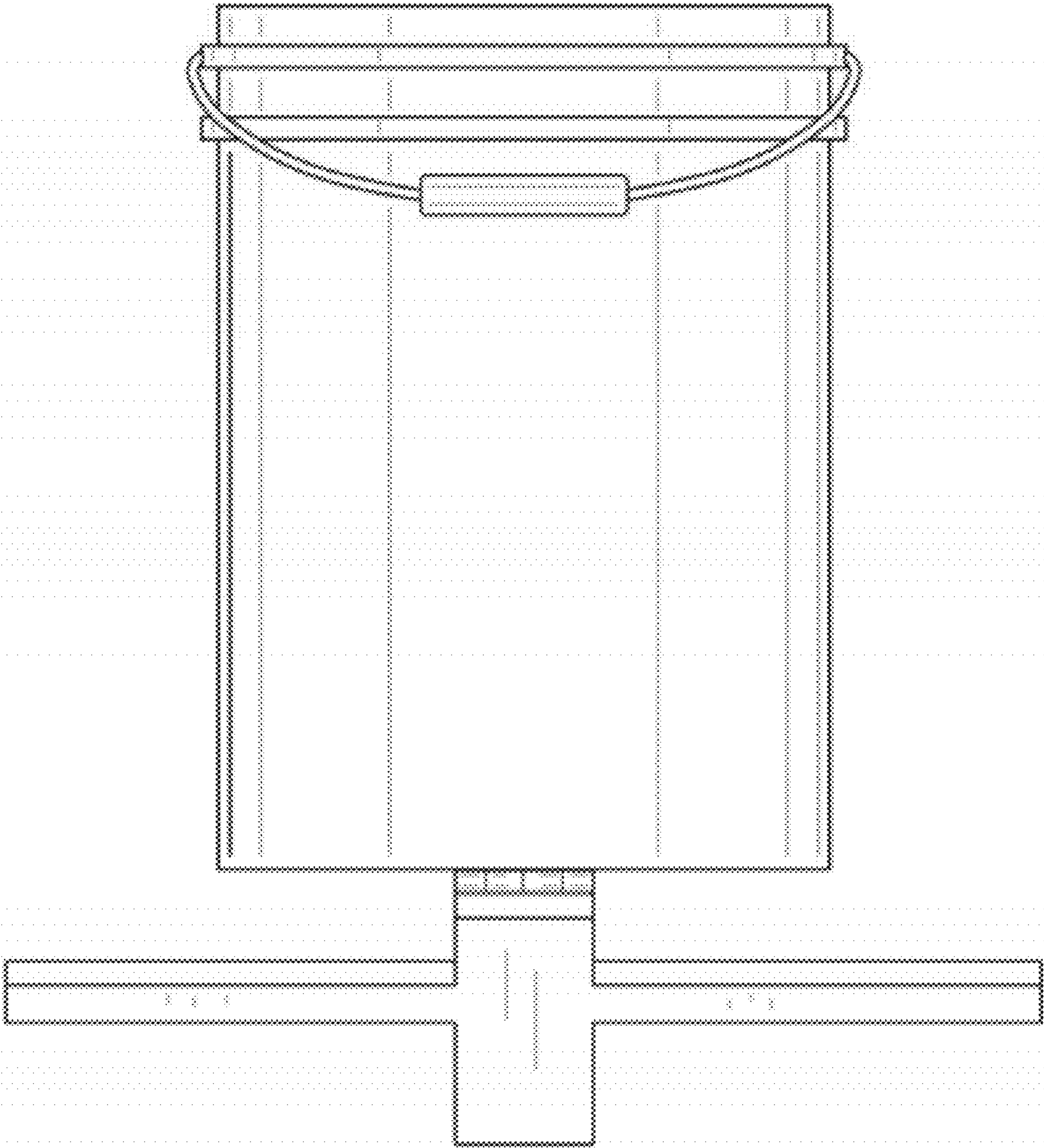


FIG. 2



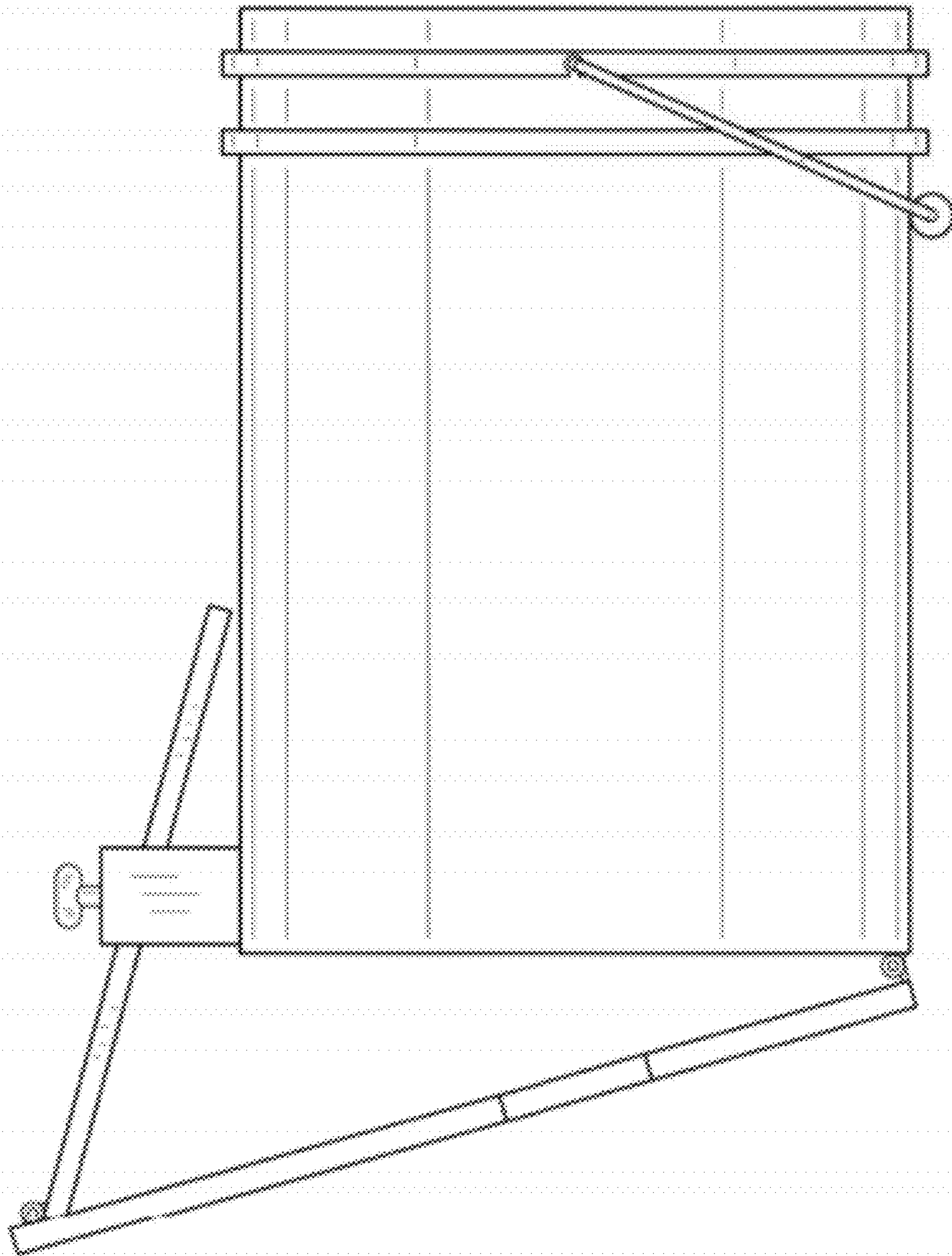


FIG. 3

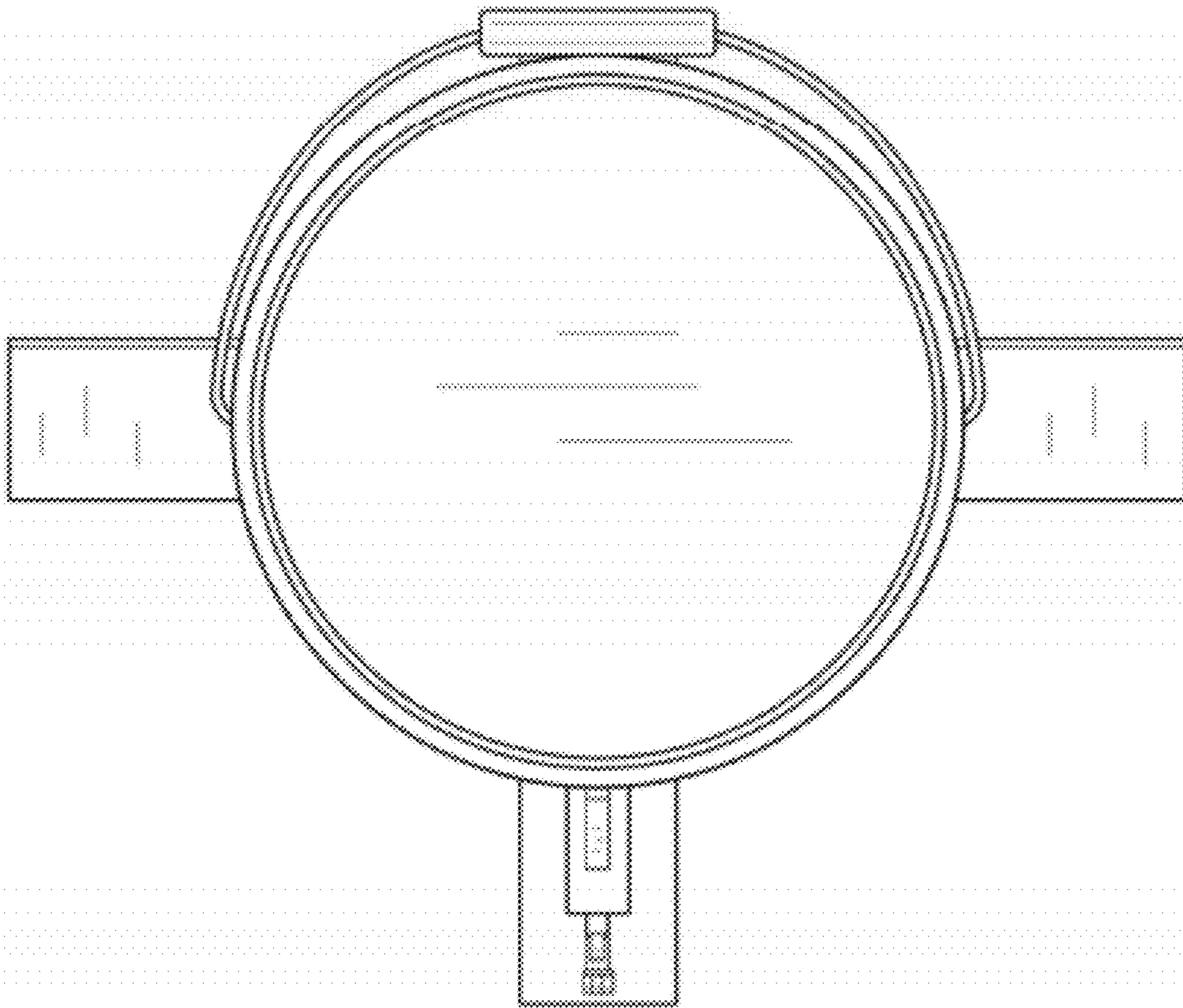


FIG. 4

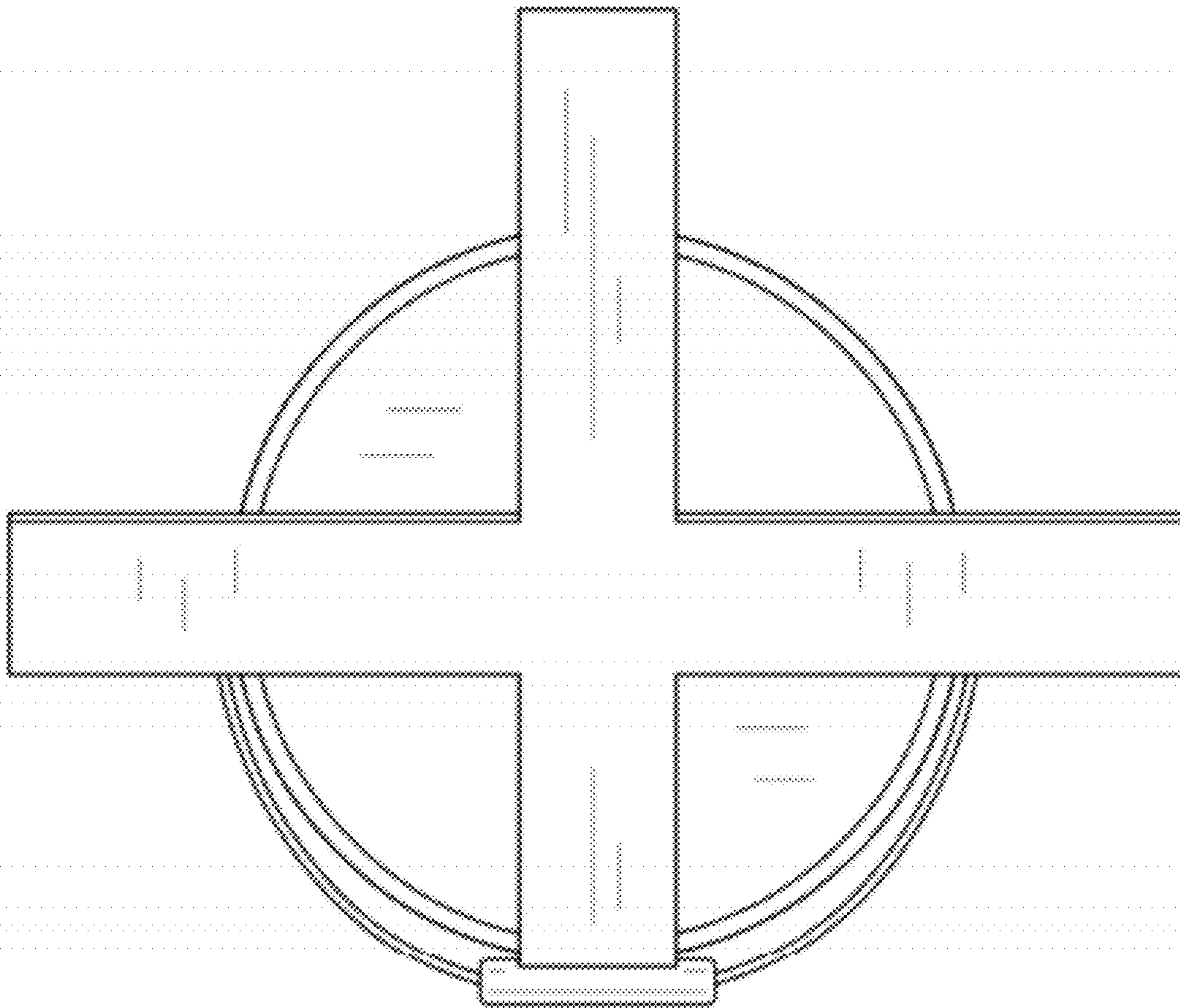


FIG. 5

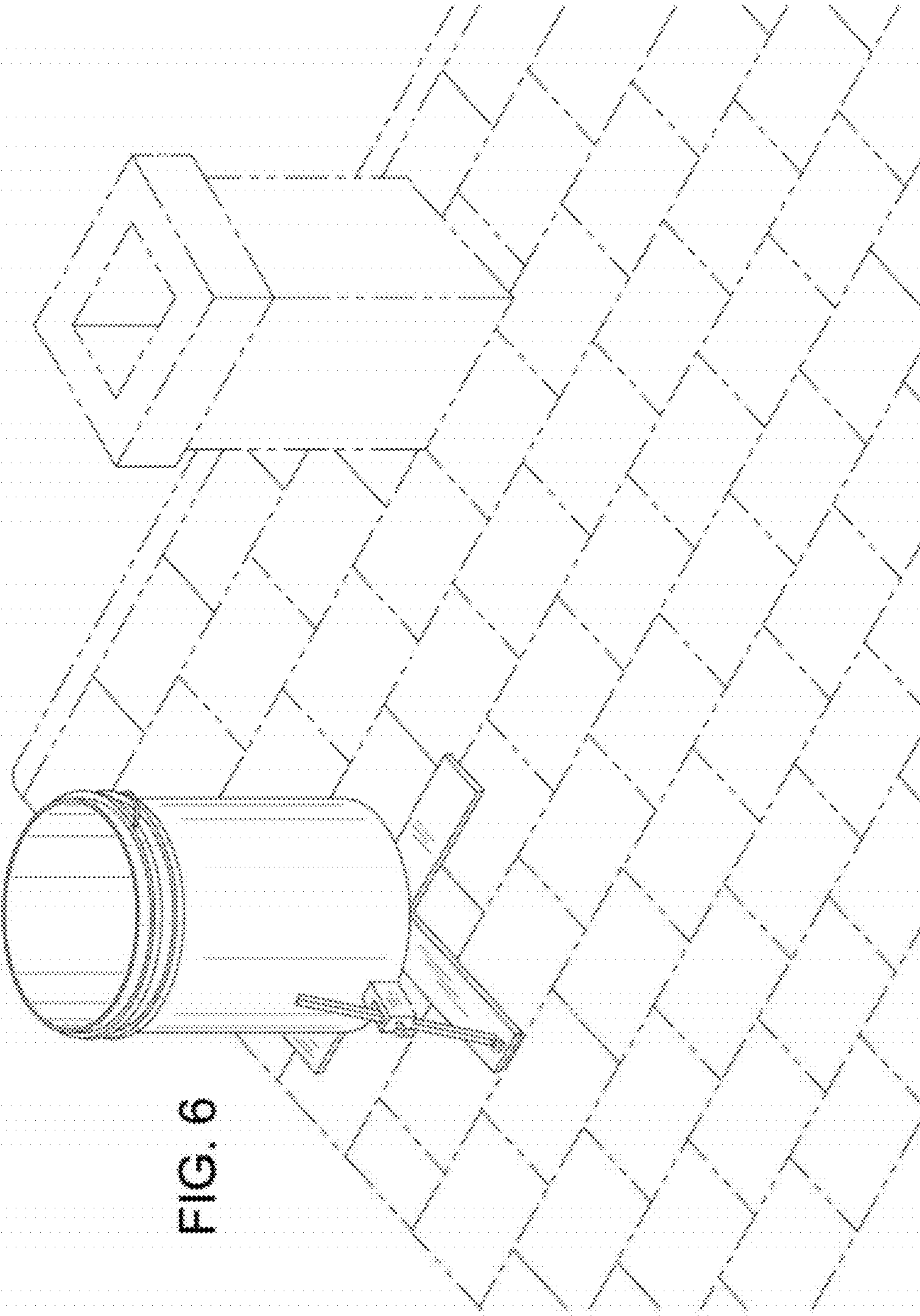


FIG. 6