



US00D673337S

(12) **United States Design Patent**
Chow

(10) **Patent No.:** **US D673,337 S**

(45) **Date of Patent:** **** Dec. 25, 2012**

(54) **STEAM MOP**

(75) Inventor: **Oscar Chow**, Zhong Shang (CN)

(73) Assignee: **Xiaotian (Zhongshan) Industrial Co., Ltd.**, Zhong Shan (CN)

(**) Term: **14 Years**

(21) Appl. No.: **29/408,598**

(22) Filed: **Dec. 14, 2011**

(51) **LOC (9) Cl.** **04-01**

(52) **U.S. Cl.** **D32/45**

(58) **Field of Classification Search** D32/40-45;
15/228, 229.1, 229.3, 231; 401/138-140
See application file for complete search history.

(56) **References Cited**

U.S. PATENT DOCUMENTS

7,163,349 B2 * 1/2007 Policicchio et al. 401/137
8,186,898 B2 * 5/2012 Bradbury et al. 401/139

* cited by examiner

Primary Examiner — Robin V Webster

(74) *Attorney, Agent, or Firm* — Hamre, Schumann, Mueller & Larson, P.C.

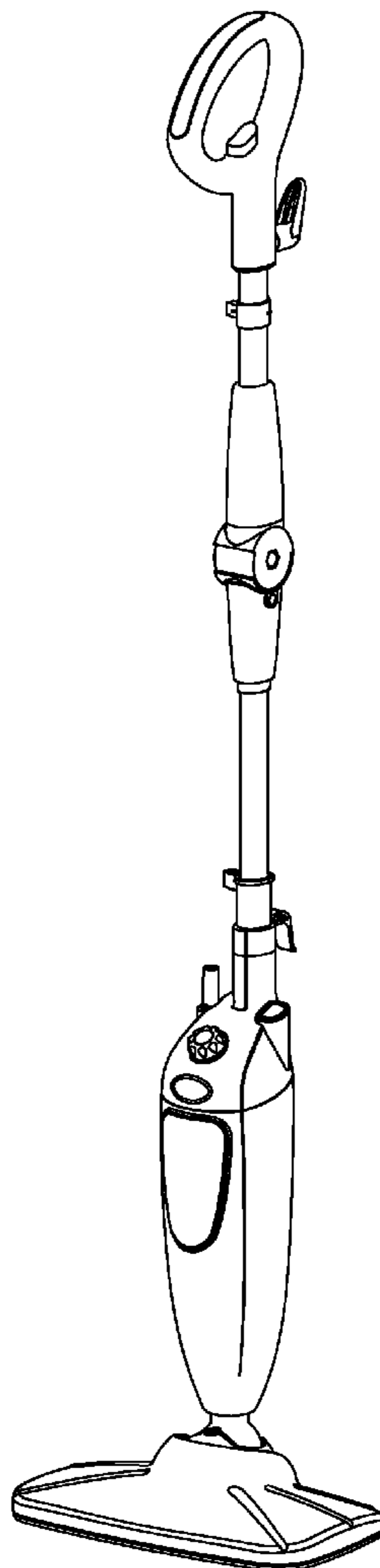
(57) **CLAIM**

The ornamental design for a “steam mop,” as shown and described.

DESCRIPTION

FIG. 1 is a front, top and right side perspective view of a steam mop showing our new design;
FIG. 2 is a front elevational view thereof;
FIG. 3 is a rear elevational view thereof;
FIG. 4 is a left side elevational view thereof;
FIG. 5 is a right side elevational view thereof;
FIG. 6 is a top plan view thereof; and,
FIG. 7 is a bottom plan view thereof.

1 Claim, 6 Drawing Sheets



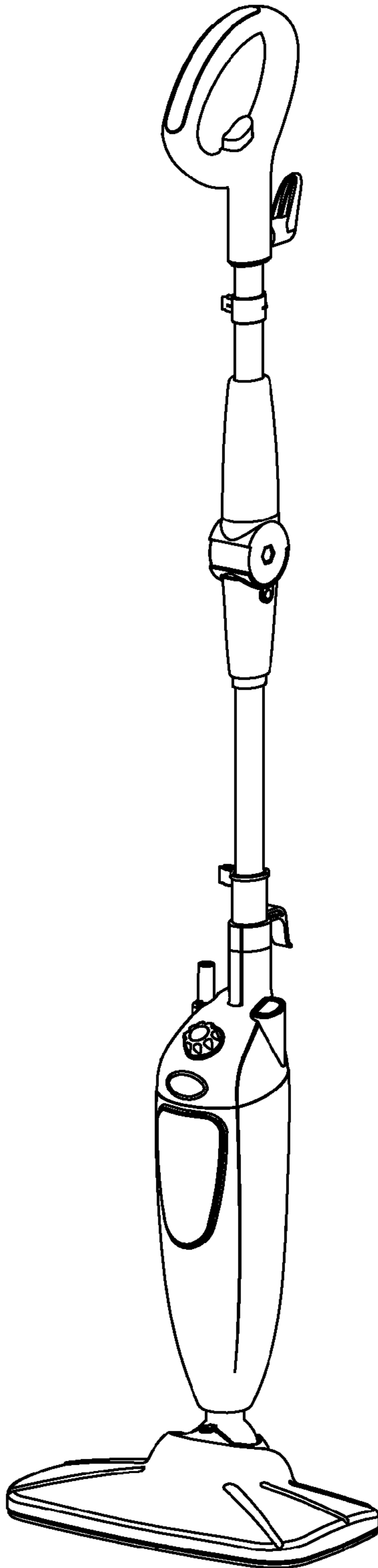


FIG. 1

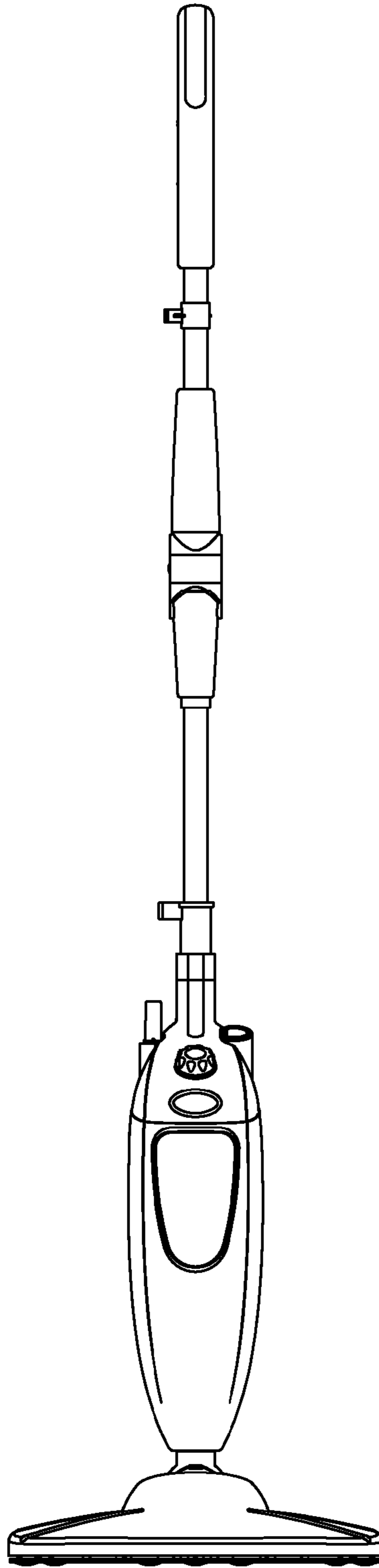


FIG. 2

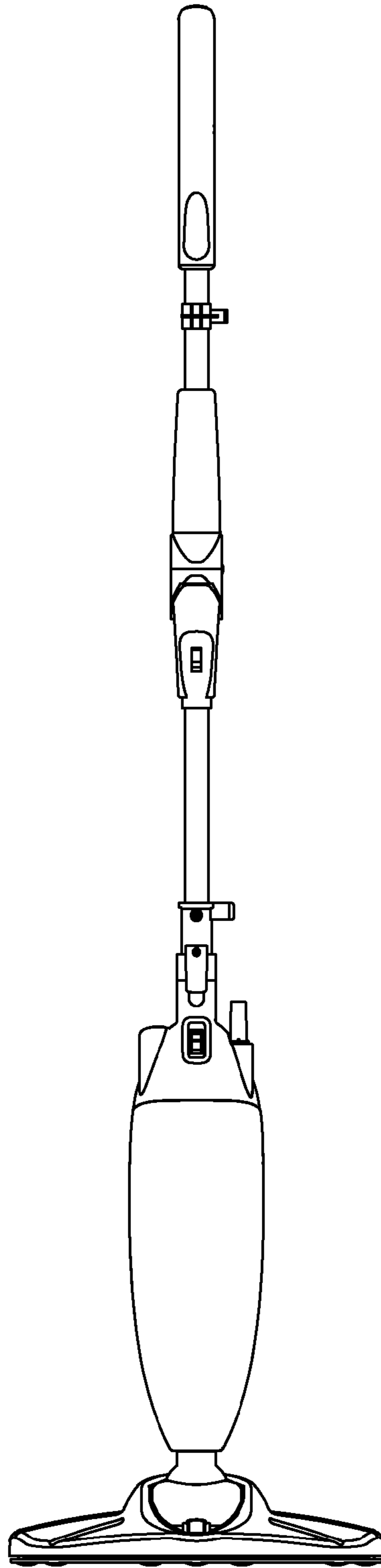


FIG. 3

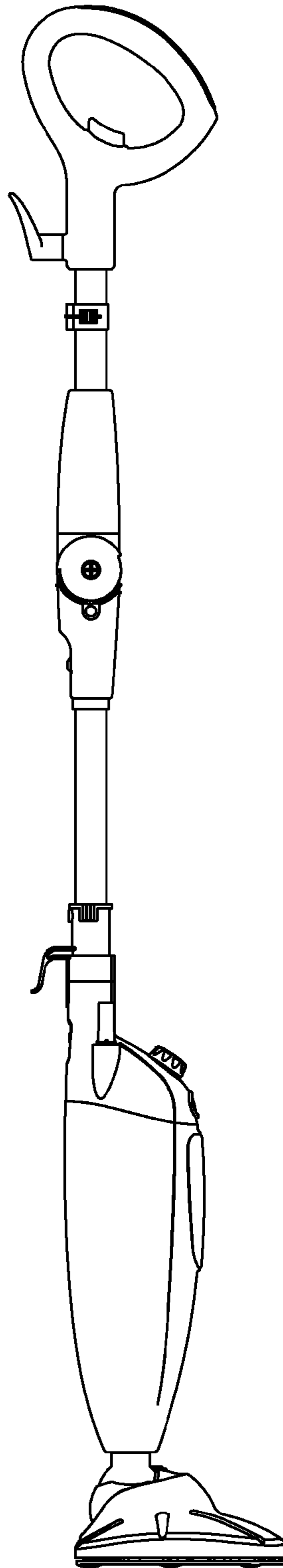


FIG. 4

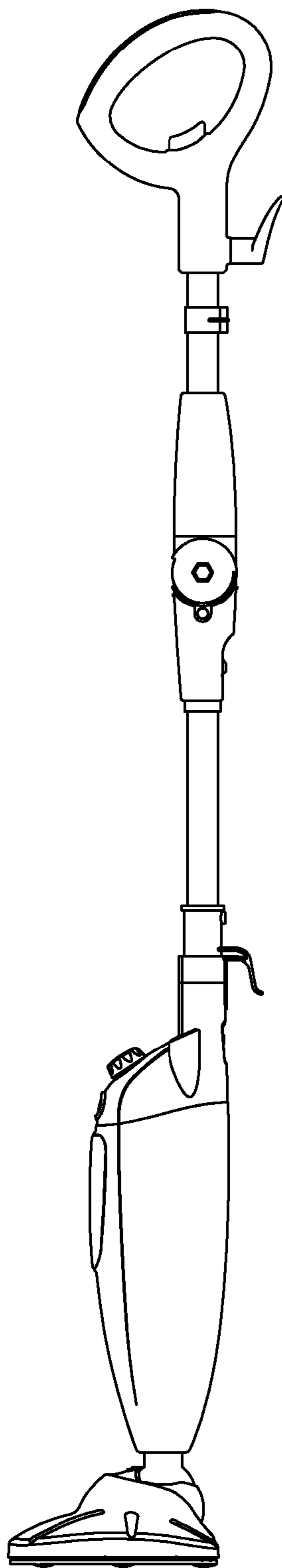


FIG. 5

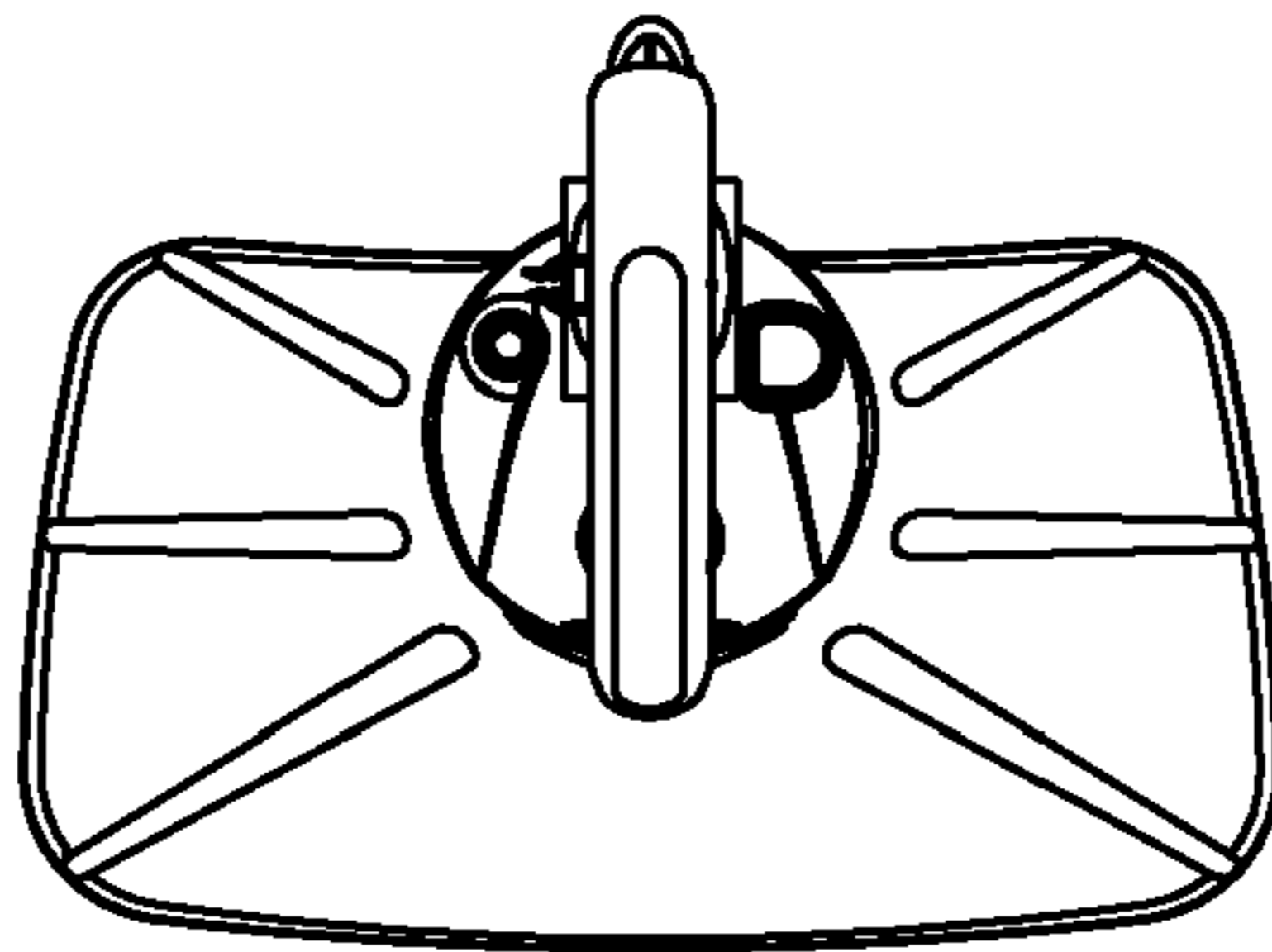


FIG. 6

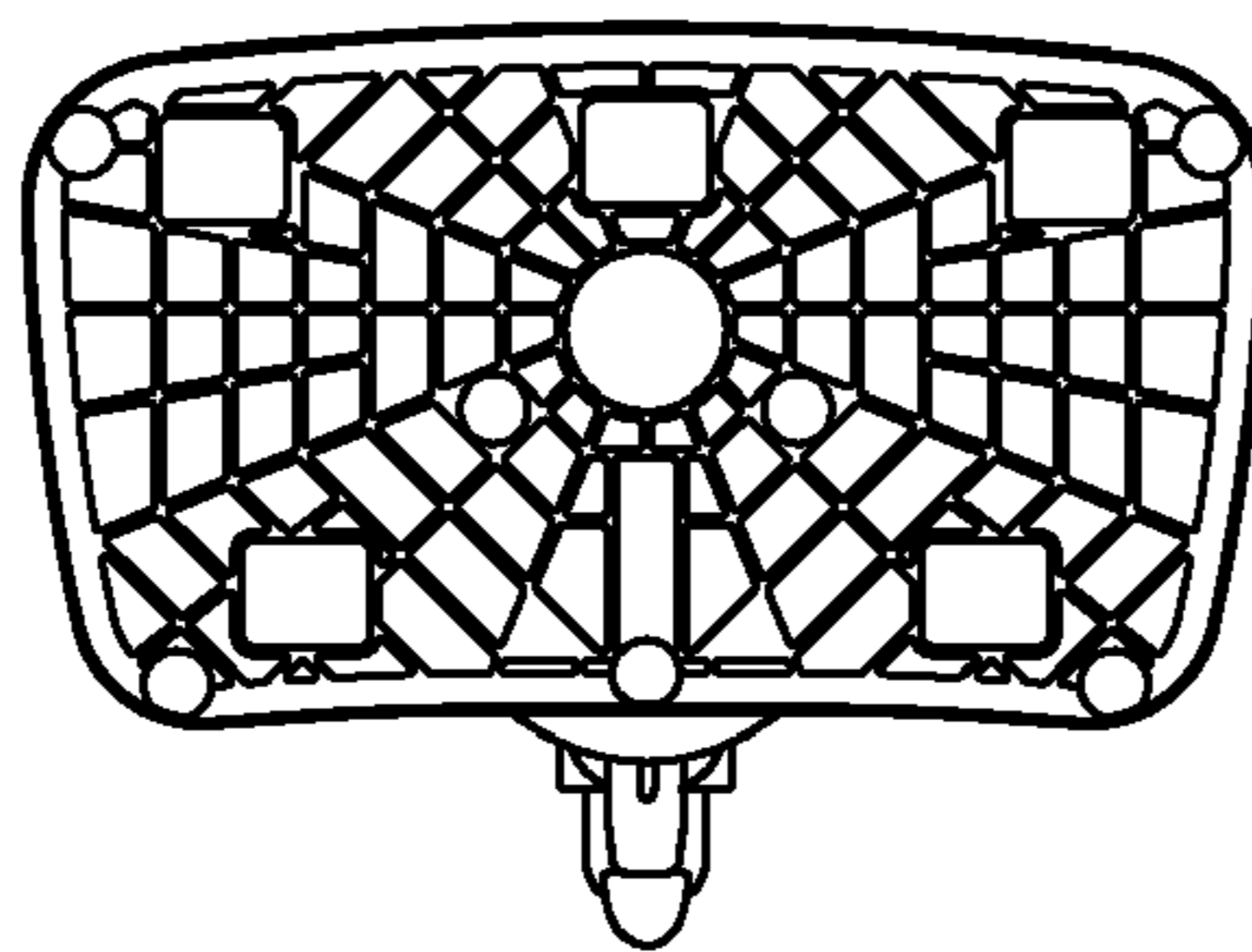


FIG. 7