



US00D673319S

(12) **United States Design Patent**
Guercio et al.

(10) **Patent No.:** **US D673,319 S**
(45) **Date of Patent:** **** Dec. 25, 2012**

(54) **VAPOR PROOF LED FIXTURE**

(75) Inventors: **Vincenzo Guercio**, Wallkill, NY (US);
Jun Xiang, Parsippany, NJ (US)

(73) Assignee: **RAB Lighting Inc.**, Northvale, NJ (US)

(**) Term: **14 Years**

(21) Appl. No.: **29/409,716**

(22) Filed: **Dec. 28, 2011**

Related U.S. Application Data

(62) Division of application No. 29/368,352, filed on Aug. 23, 2010, now Pat. No. Des. 653,795.

(51) **LOC (9) Cl.** **26-03**

(52) **U.S. Cl.** **D26/87**

(58) **Field of Classification Search** D26/63,
D26/68, 79, 85, 87, 92; 362/147, 404-408,
362/431, 432

See application file for complete search history.

(56) **References Cited**

U.S. PATENT DOCUMENTS

2,749,433 A	6/1956	Appleton
D181,594 S	12/1957	Martorella
3,004,144 A	10/1961	Agrell
D240,157 S	6/1976	Dorn
D248,502 S	7/1978	Laughter
D257,065 S	9/1980	Silvestris
D291,835 S	9/1987	Michael
D300,372 S	3/1989	O'Dahanue et al.
D313,483 S	1/1991	Blake
D347,905 S	6/1994	Barbour
D409,789 S	5/1999	Crosby
D467,379 S	12/2002	Hsu
D544,127 S	6/2007	Posey

D583,494 S 12/2008 Friedman et al.
7,611,264 B1 11/2009 Chang et al.
D653,795 S * 2/2012 Guercio et al. D26/89

OTHER PUBLICATIONS

All "NEO" fixtures from the "Quintessentials" collection on p. 260 of the Eurofase Illuminations 2009 Catalog. (C) 2009. (2 pages).

* cited by examiner

Primary Examiner — Clare E Heflin

(74) *Attorney, Agent, or Firm* — Stewart & Irwin, P.C.;
Dennis S. Schell

(57) **CLAIM**

The ornamental design for a vapor proof LED fixture, as shown and described.

DESCRIPTION

FIG. 1 is a perspective view of an embodiment of the new design;

FIG. 2 is a front view of the embodiment;

FIG. 3 is a right view of the embodiment;

FIG. 4 is a left view of the embodiment;

FIG. 5 is a rear view of the embodiment;

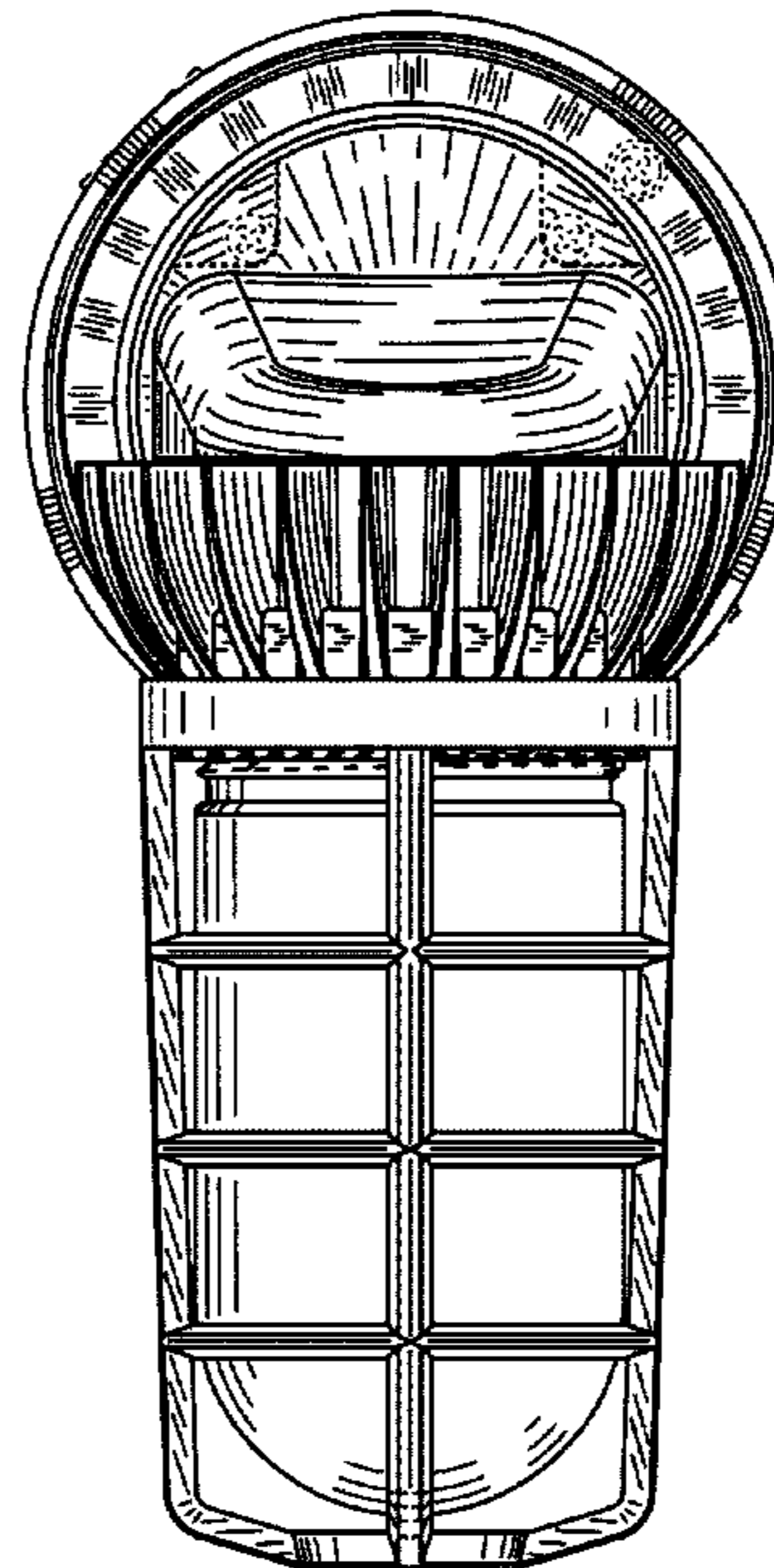
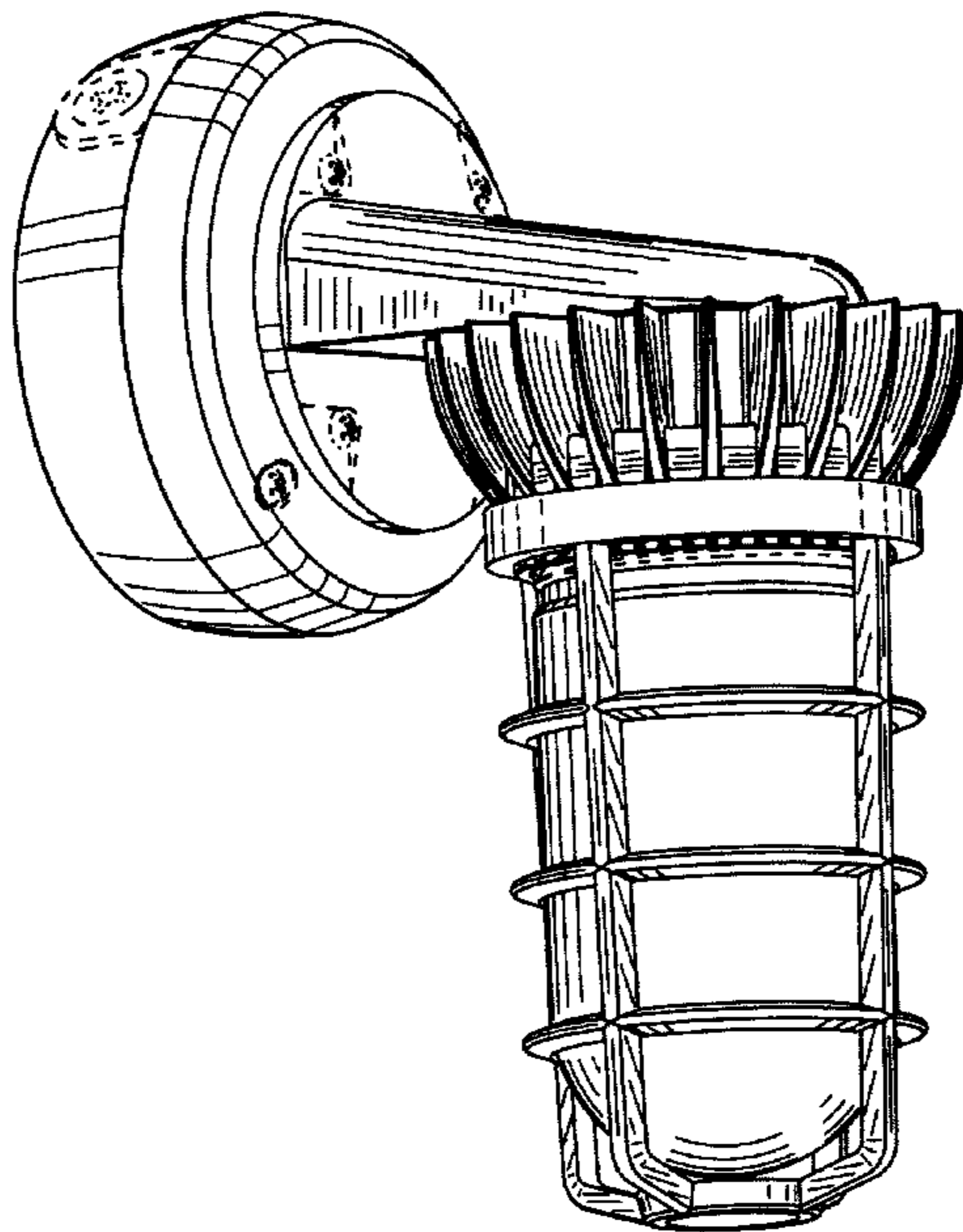
FIG. 6 is a top view of the embodiment;

FIG. 7 is a bottom of the embodiment; and,

FIG. 8 is the perspective view of the embodiment of FIG. 1 with the cage removed.

The design consists of the features of shape, ornament and configuration of the article shown in the drawings. The broken lines shown in the drawings are for the purpose of illustrating portions of the article that form no part of the claimed design.

1 Claim, 8 Drawing Sheets



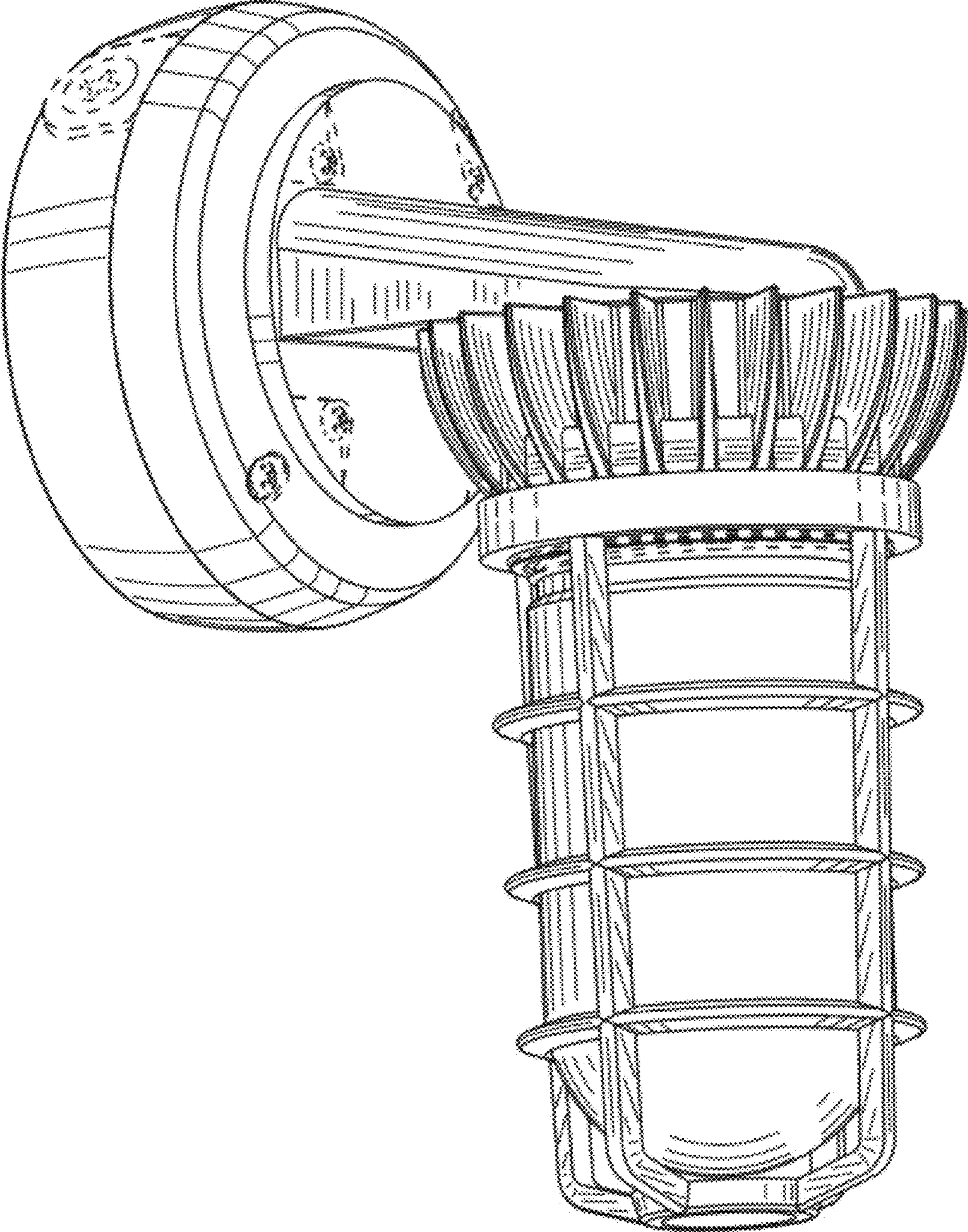


Fig. 1

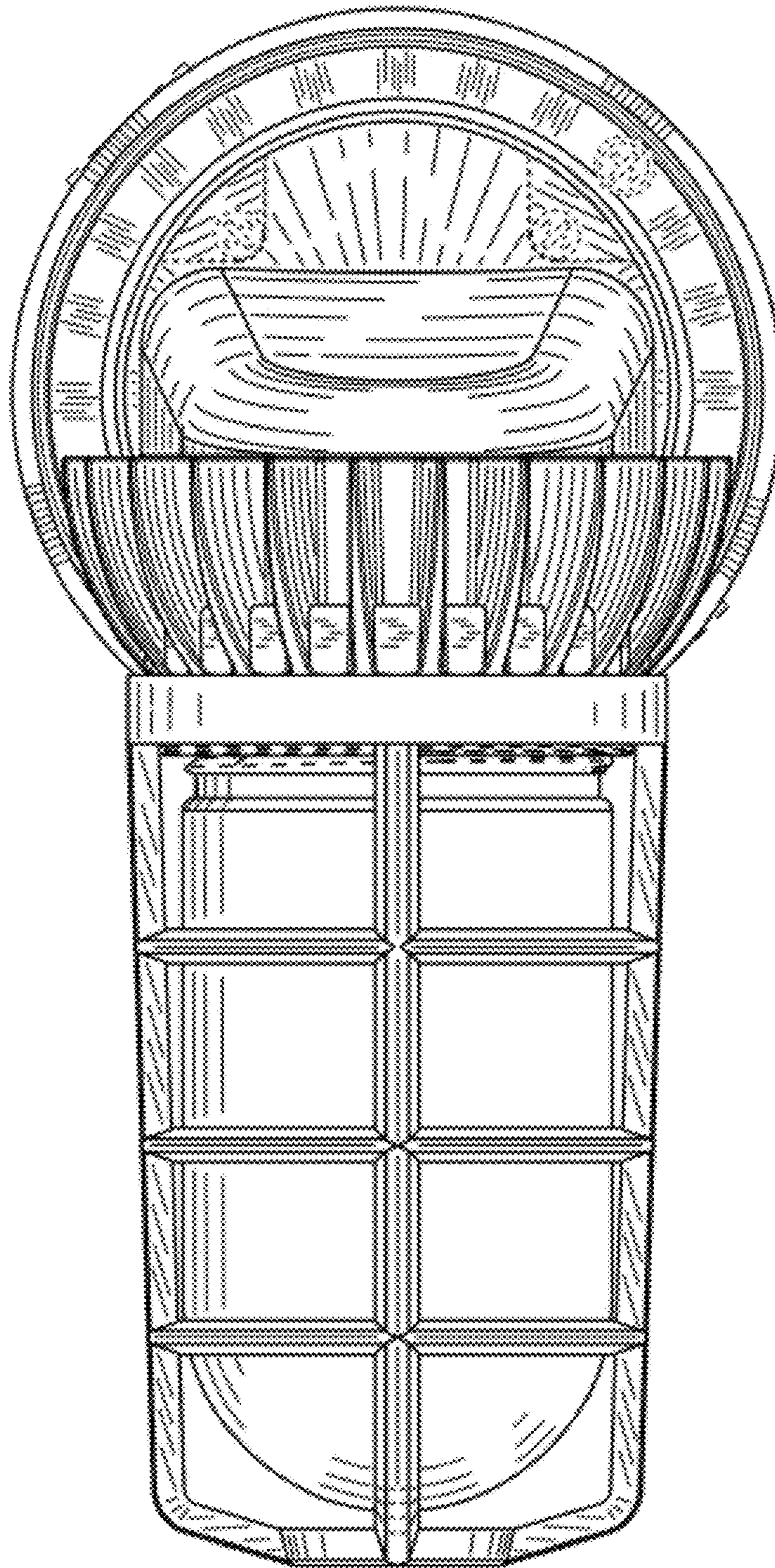


Fig. 2

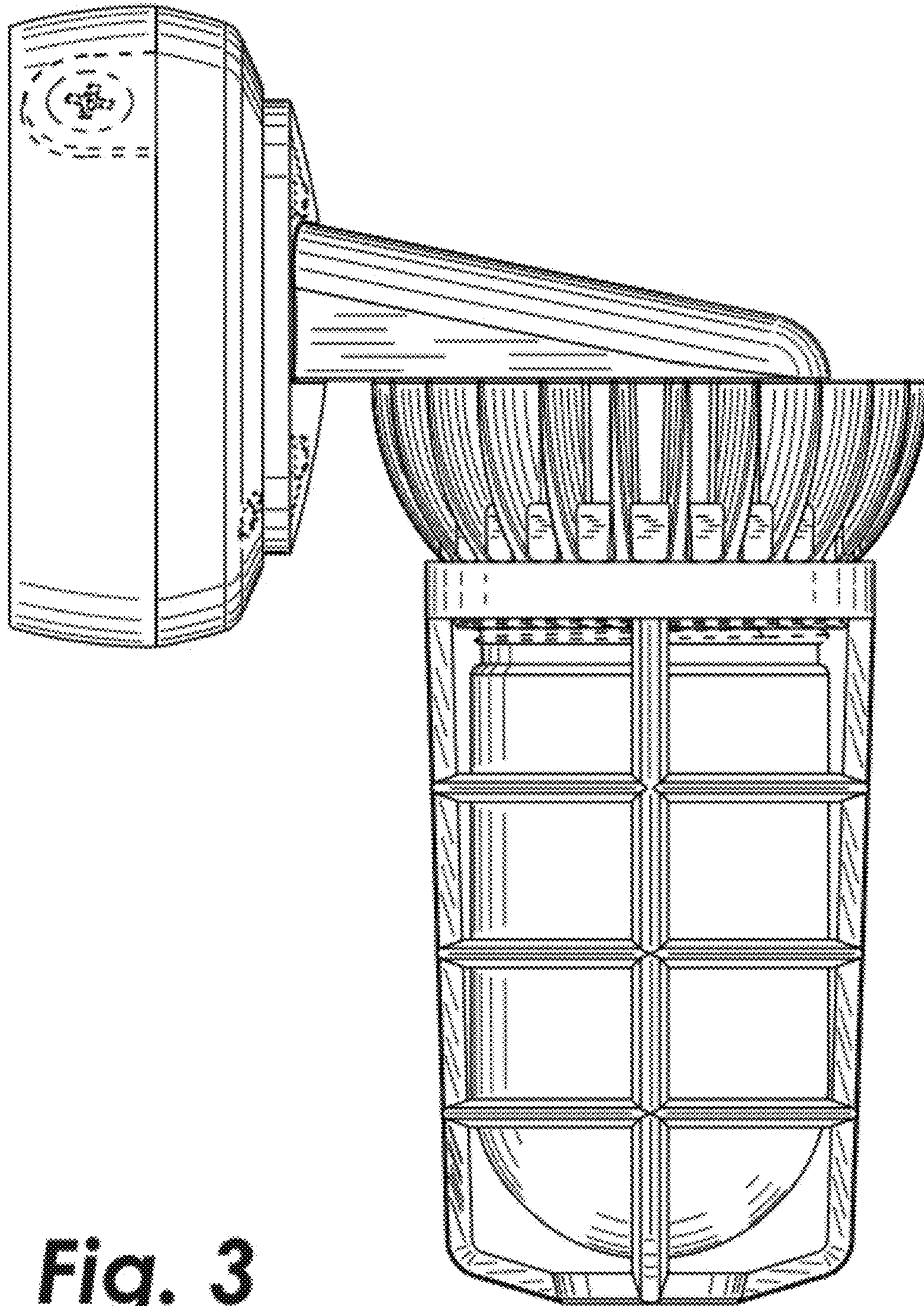


Fig. 3

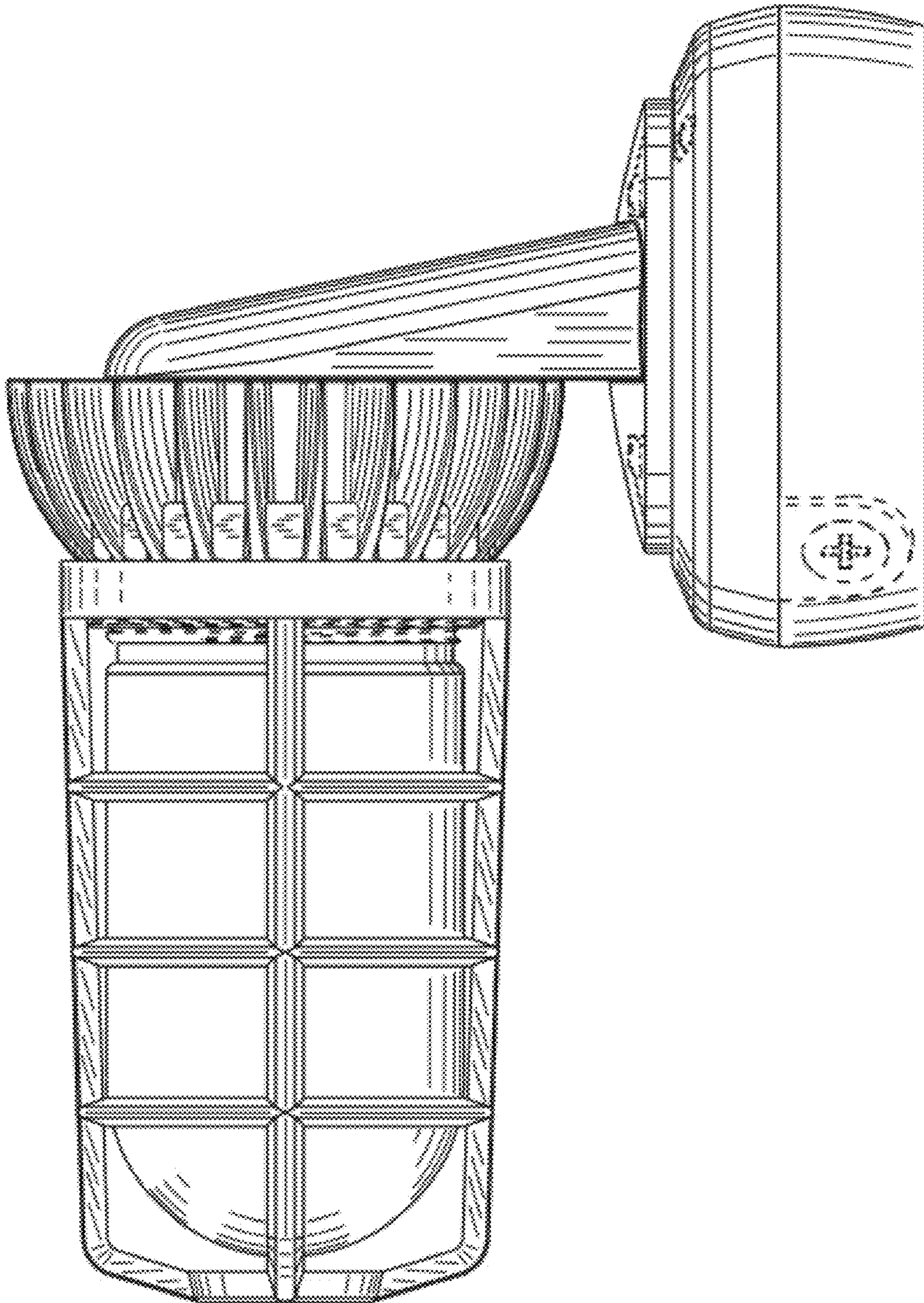


Fig. 4

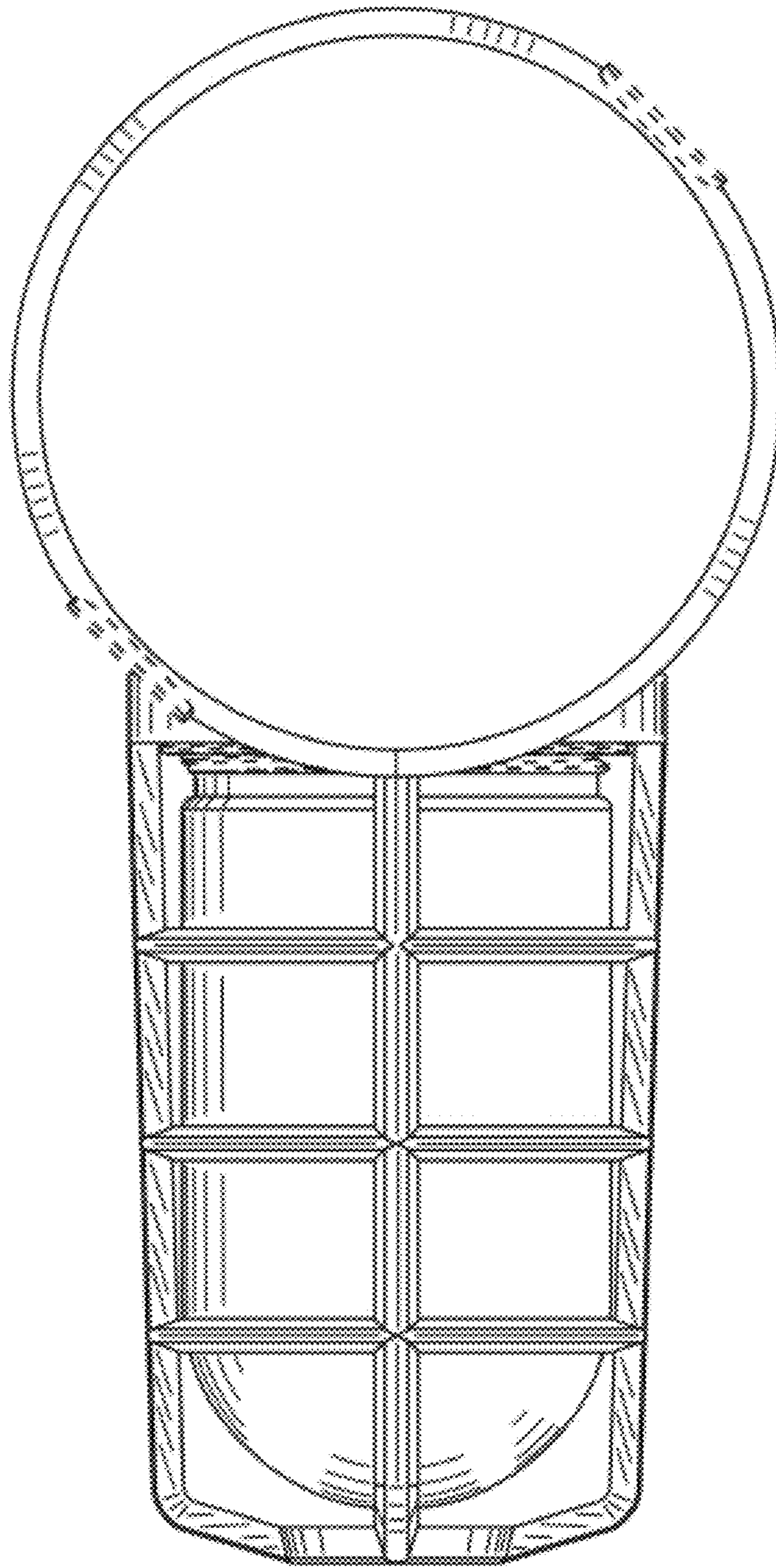


Fig. 5

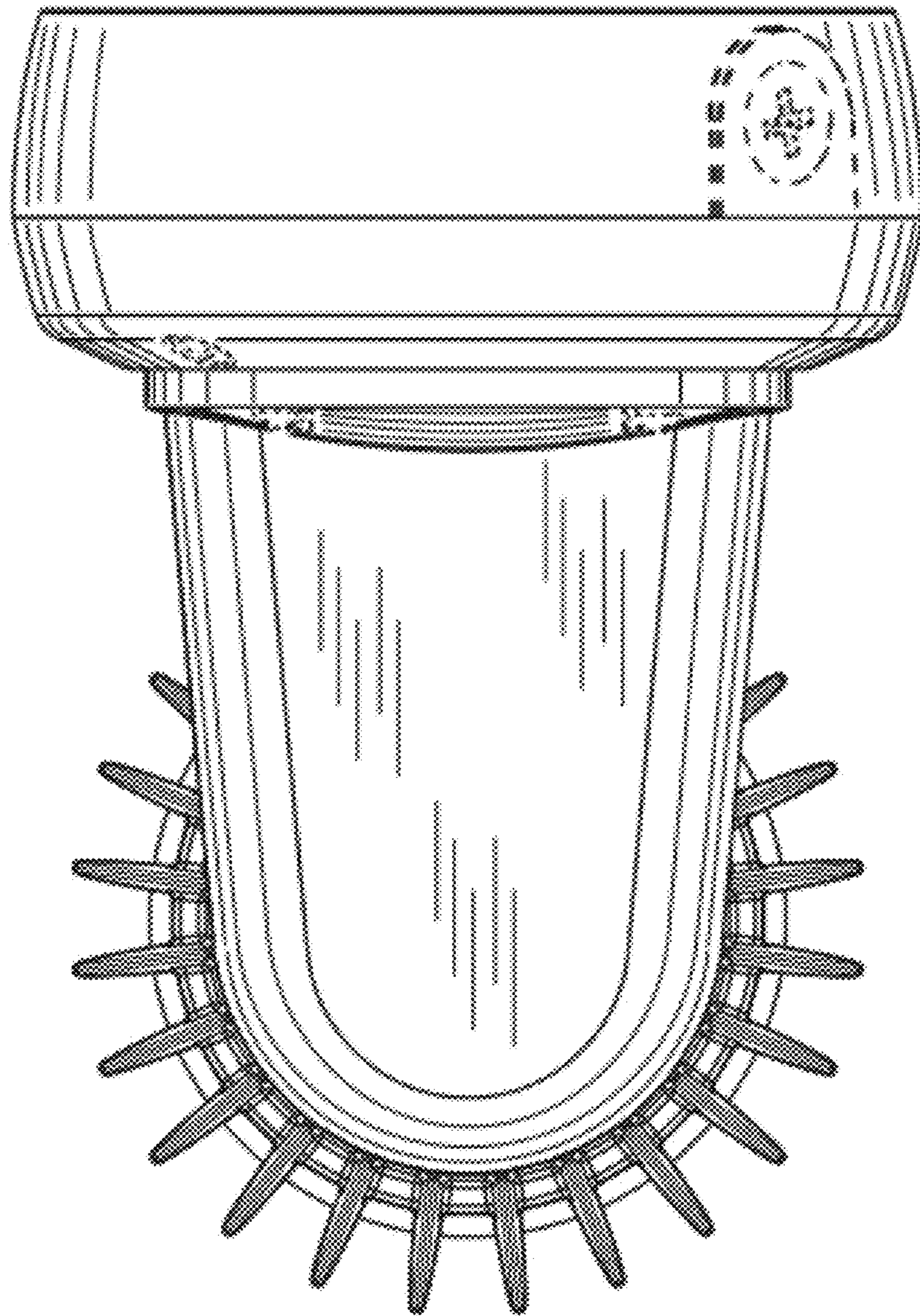


Fig. 6

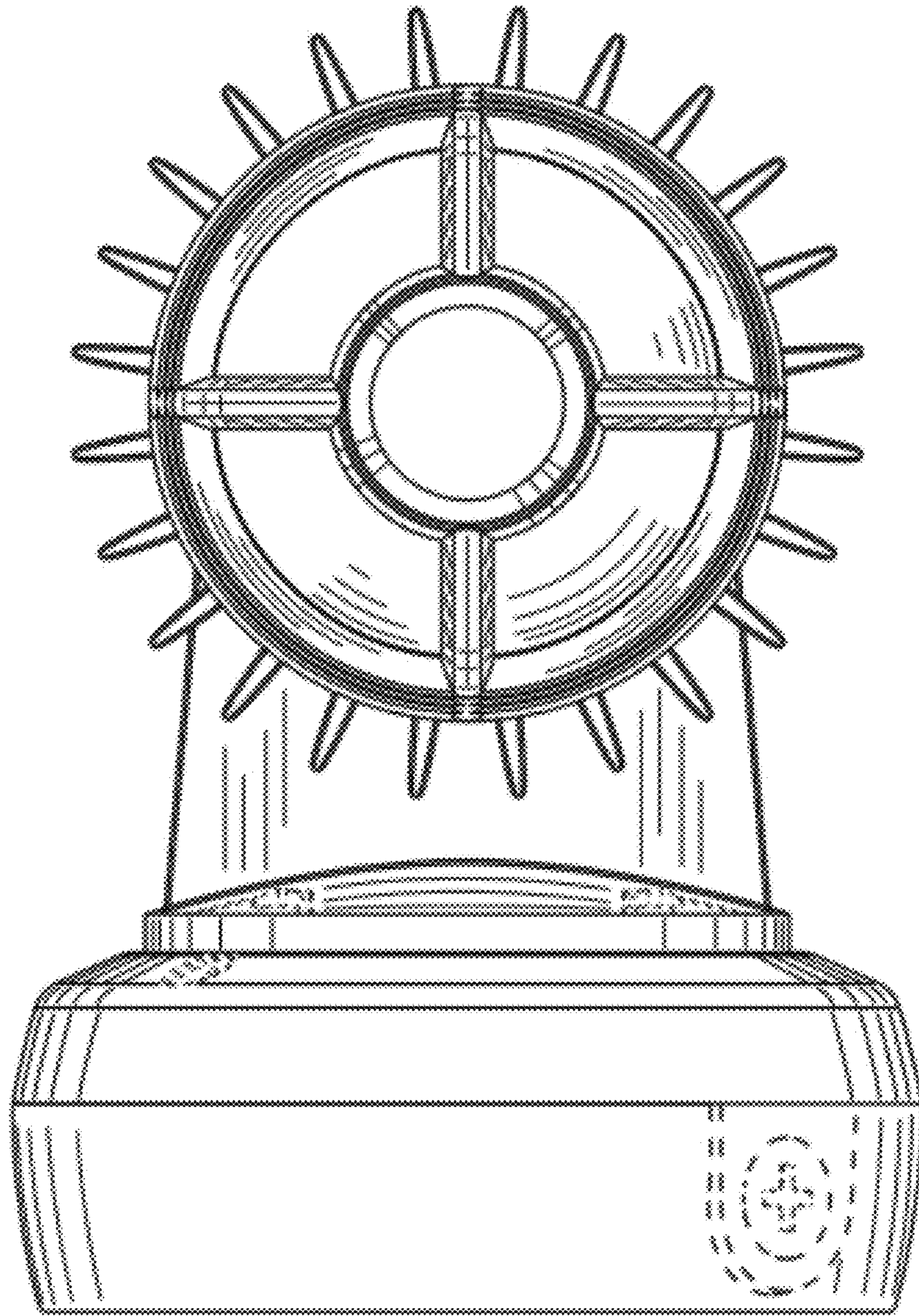


Fig. 7

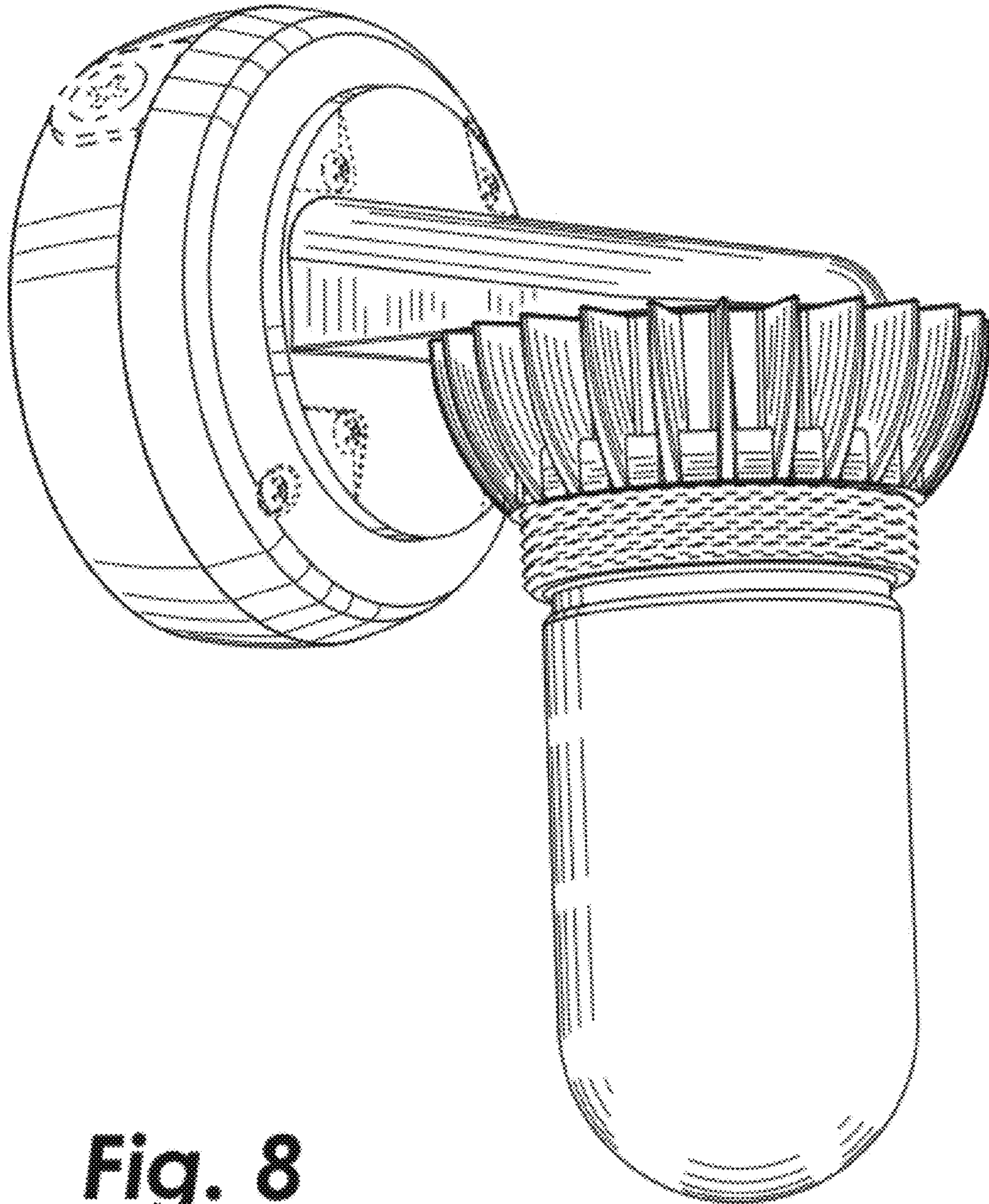


Fig. 8