



US00D673316S

(12) **United States Design Patent**
Oshima et al.

(10) **Patent No.:** **US D673,316 S**
(45) **Date of Patent:** **** Dec. 25, 2012**

(54) **HAND-HELD LIGHT**

FOREIGN PATENT DOCUMENTS

(75) Inventors: **Takanori Oshima**, Minamiawaji (JP);
Shinji Oda, Kusatsu (JP)

JP 1222776 S 11/2004
JP 1401738 S 11/2010

* cited by examiner

(73) Assignee: **SANYO Electric Co., Ltd.**,
Moriguchi-shi, Osaka (JP)

Primary Examiner — Ian Simmons
Assistant Examiner — Carissa C Fitts

(**) Term: **14 Years**

(74) *Attorney, Agent, or Firm* — Westerman, Hattori,
Daniels & Adrian, LLP

(21) Appl. No.: **29/402,338**

(22) Filed: **Sep. 22, 2011**

(57) **CLAIM**

(30) **Foreign Application Priority Data**

The ornamental design for a hand-held light, as shown and described.

Apr. 22, 2011 (JP) 2011-009311

(51) **LOC (9) Cl.** **26-02**

(52) **U.S. Cl.** **D26/50**

(58) **Field of Classification Search** D26/37,
D26/38, 44, 45, 46, 49, 50; 362/157, 158,
362/183, 184, 187, 188, 194–199, 200–208
See application file for complete search history.

DESCRIPTION

(56) **References Cited**

U.S. PATENT DOCUMENTS

D254,633 S *	4/1980	Simmons	D26/50
D417,922 S *	12/1999	Mulder et al.	D26/50
D445,519 S *	7/2001	Burns	D26/38
D481,148 S *	10/2003	Brown	D26/50
D567,417 S *	4/2008	Wu et al.	D26/37
D640,401 S *	6/2011	Wu et al.	D26/50

FIG. 1 is a perspective view of a hand-held light, showing our new design;
FIG. 2 is a front elevational view thereof, the rear elevational view being identical thereto;
FIG. 3 is a top plan view thereof;
FIG. 4 is a bottom plan view thereof;
FIG. 5 is a right side elevational view thereof, the left side being identical thereto; and,
FIG. 6 is a cross-sectional view taken along 6-6 of FIG. 5.
The broken lines illustrate environmental structure and form no part of the claimed design.

1 Claim, 5 Drawing Sheets

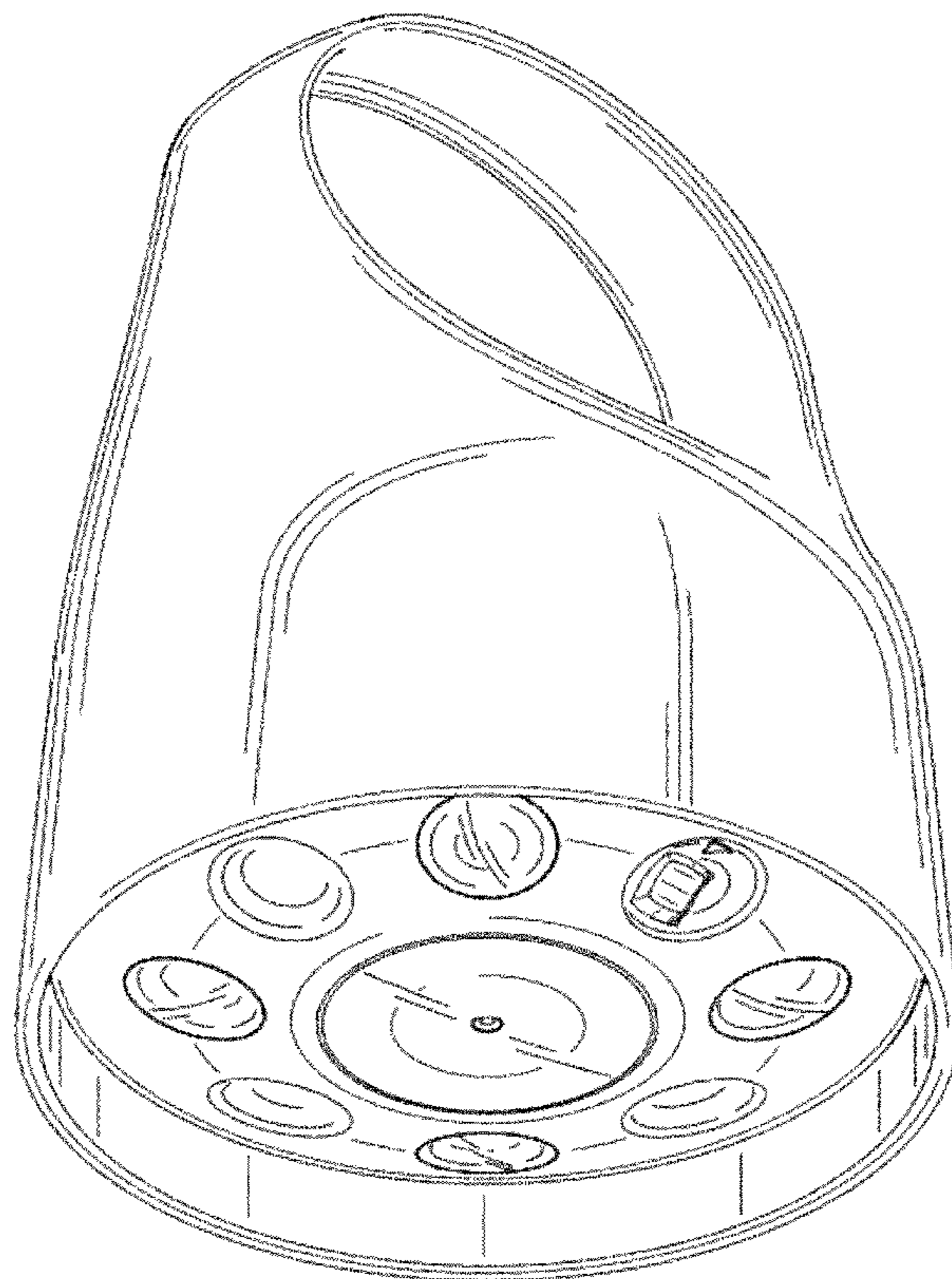


FIG. 1

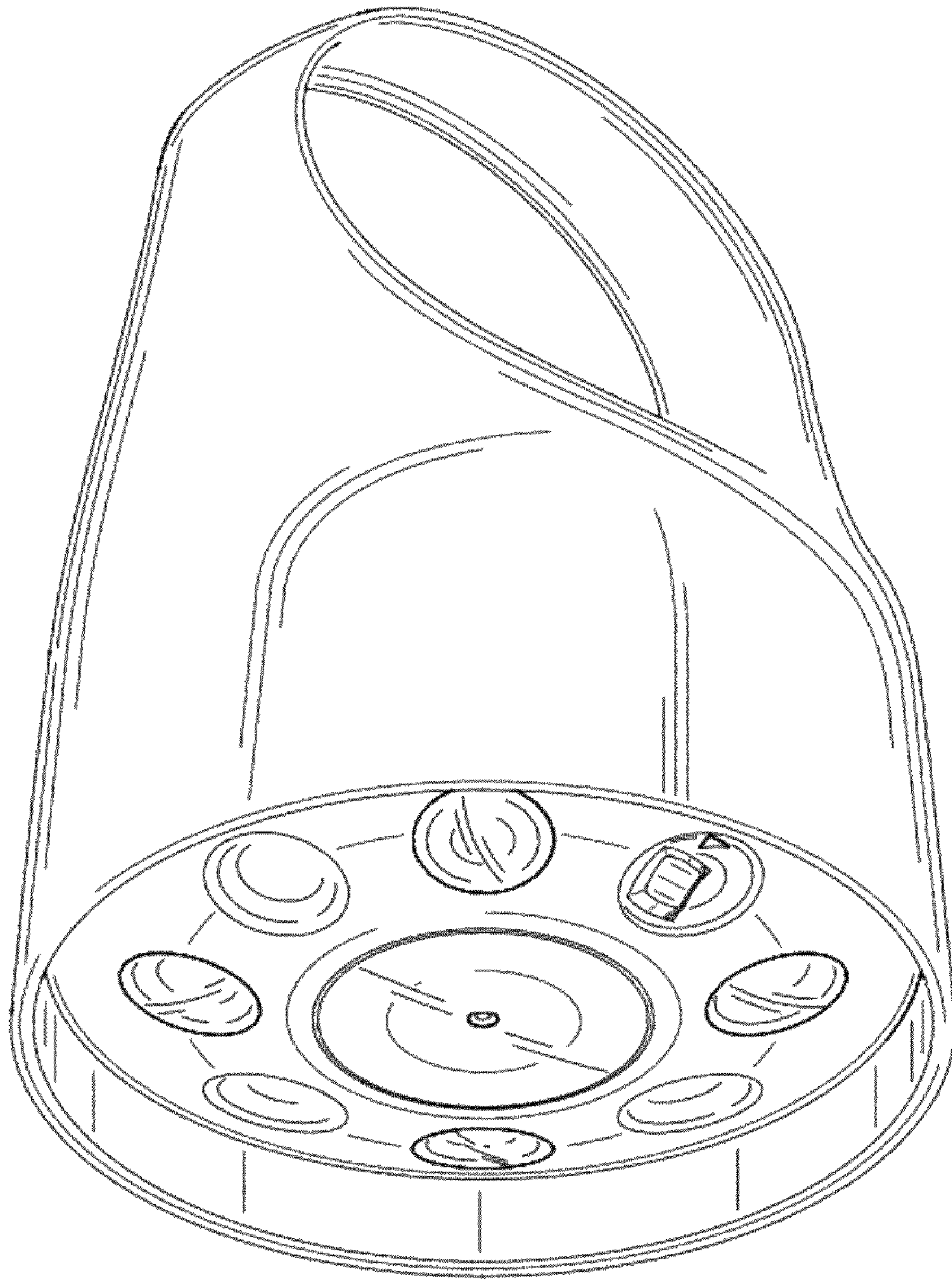


FIG.2

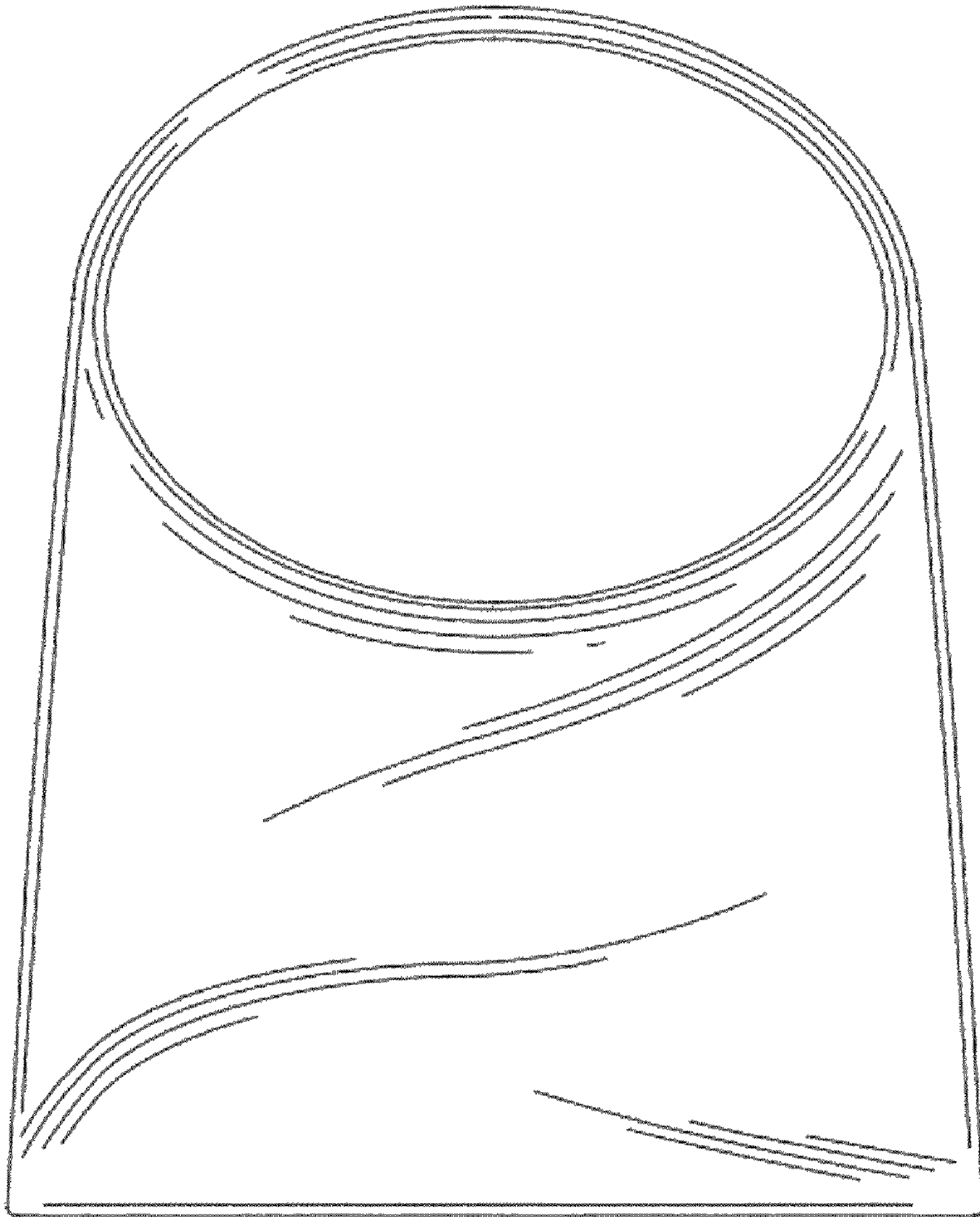


FIG.3

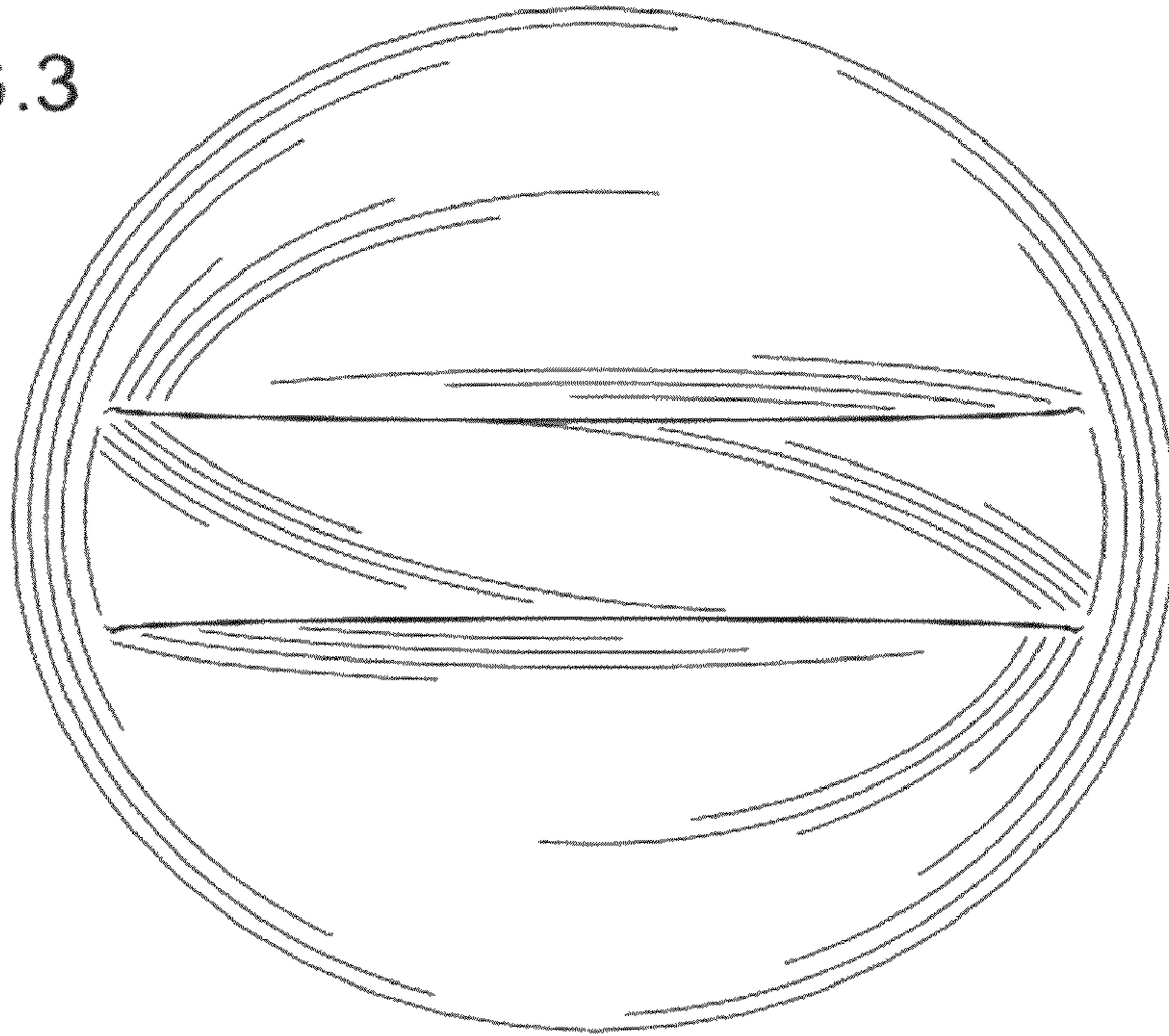


FIG.4

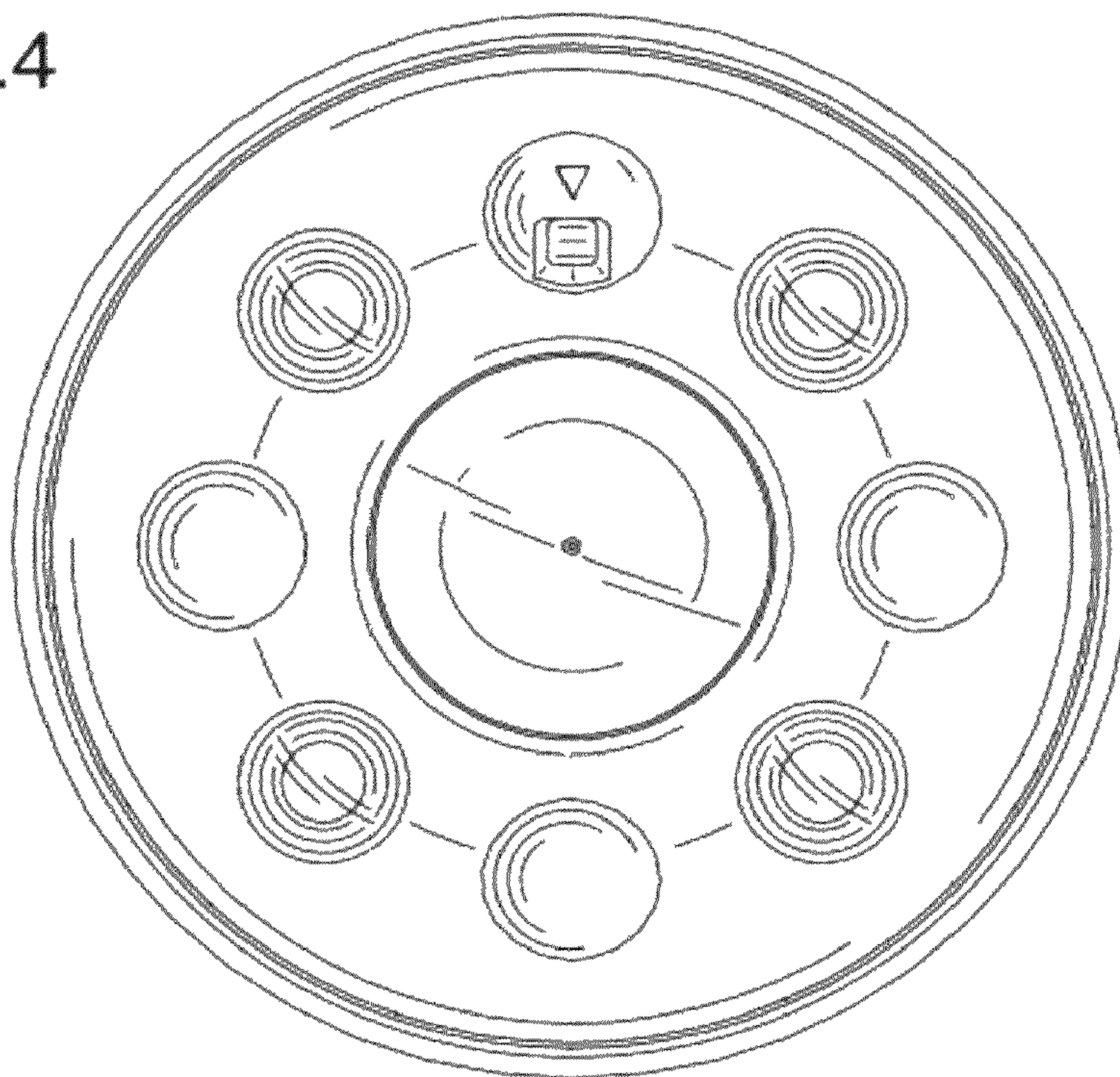


FIG.5

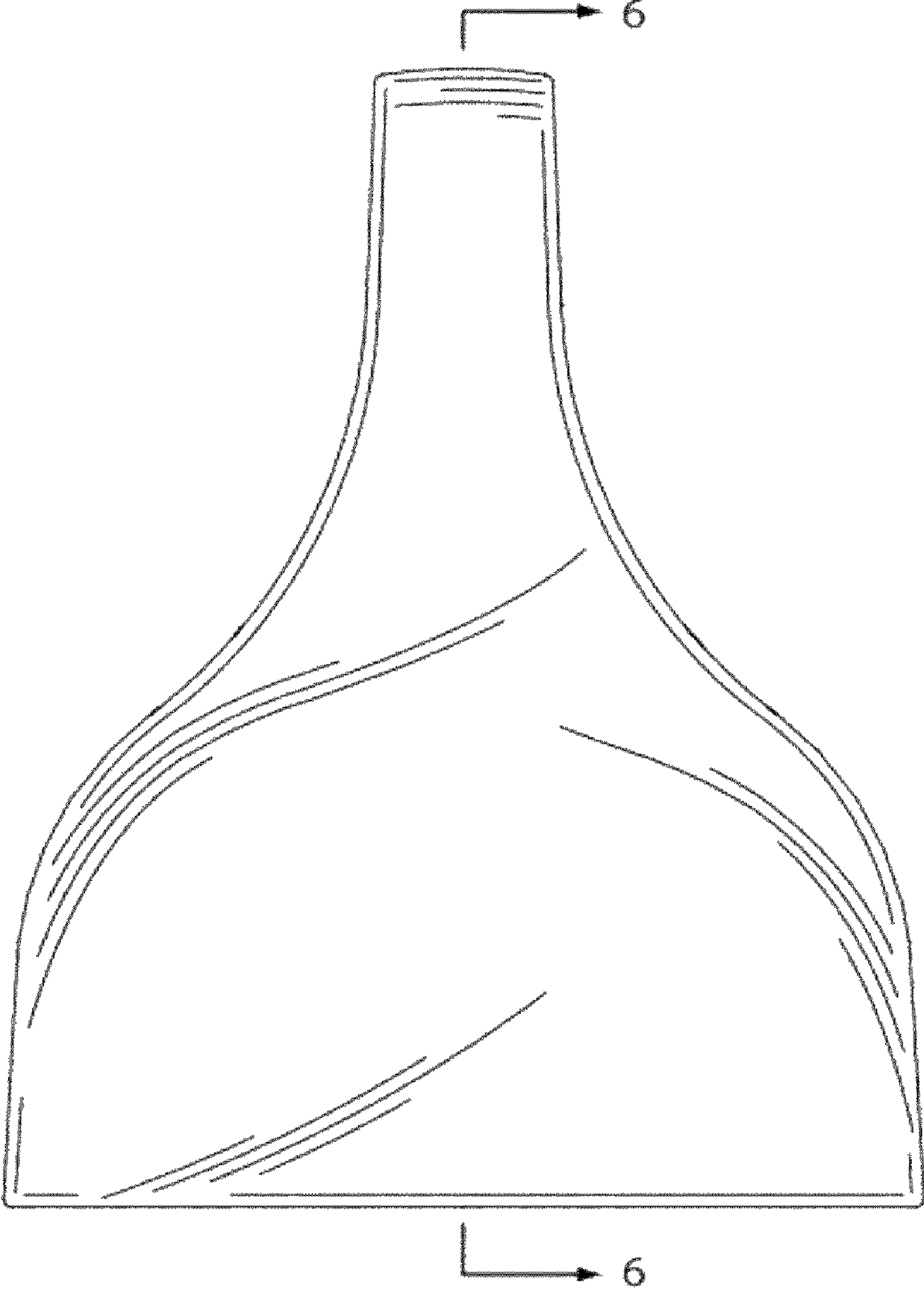


FIG.6

