

US00D673315S

(12) **United States Design Patent**
Milz et al.

(10) **Patent No.:** **US D673,315 S**

(45) **Date of Patent:** **** Dec. 25, 2012**

(54) **FLASHLIGHT**

(75) Inventors: **Erik Milz**, Superior, CO (US); **Scott Cardwell**, Erie, CO (US)

(73) Assignee: **TerraLUX, Inc.**, Longmont, CO (US)

(**) Term: **14 Years**

(21) Appl. No.: **29/387,191**

(22) Filed: **Mar. 10, 2011**

(51) **LOC (9) Cl.** **26-02**

(52) **U.S. Cl.** **D26/49**

(58) **Field of Classification Search** D26/37,
D26/38, 46, 49; 362/157, 158, 183, 184,
362/196, 200-208

See application file for complete search history.

(56) **References Cited**

U.S. PATENT DOCUMENTS

D442,307 S *	5/2001	Parker	D26/49
D481,816 S *	11/2003	Sharrah et al.	D26/49
D495,078 S *	8/2004	Galli	D26/49
D496,115 S *	9/2004	Lin	D26/49
D521,170 S *	5/2006	Craft et al.	D26/49
D522,154 S *	5/2006	Man	D26/49
D531,746 S *	11/2006	Zhu	D26/49
D553,282 S *	10/2007	Zhu	D26/49
D554,281 S *	10/2007	Bushee et al.	D26/37

D570,511 S *	6/2008	Shiu	D26/49
D599,928 S *	9/2009	Shiu	D26/49
D604,877 S *	11/2009	Kung	D26/49
D621,538 S *	8/2010	Bushee	D26/49
D655,027 S *	2/2012	Milz et al.	D26/49

* cited by examiner

Primary Examiner — Ian Simmons

Assistant Examiner — Carissa C Fitts

(74) *Attorney, Agent, or Firm* — Bingham McCutchen LLP

(57) **CLAIM**

The ornamental design for a flashlight, substantially as shown and described.

DESCRIPTION

FIG. 1 is a perspective view of a flashlight incorporating the design;

FIG. 2 is a top view thereof;

FIG. 3 is a bottom view thereof;

FIG. 4 is a left-side elevation view thereof;

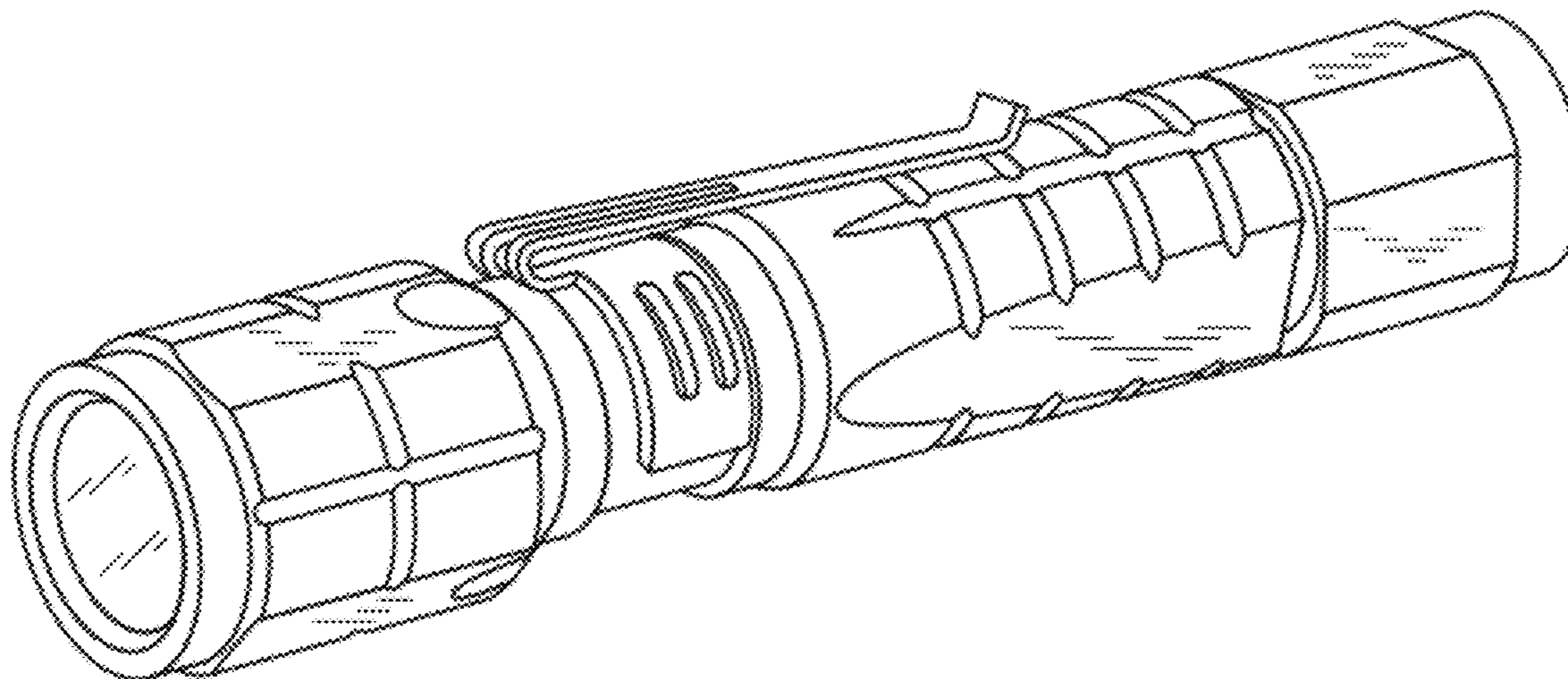
FIG. 5 is a right-side elevation view thereof;

FIG. 6 is a front view thereof; and,

FIG. 7 is a back view thereof.

The broken lines showing features on the back of the flashlight are for environmental purposes only and form no part of the claimed design.

1 Claim, 4 Drawing Sheets



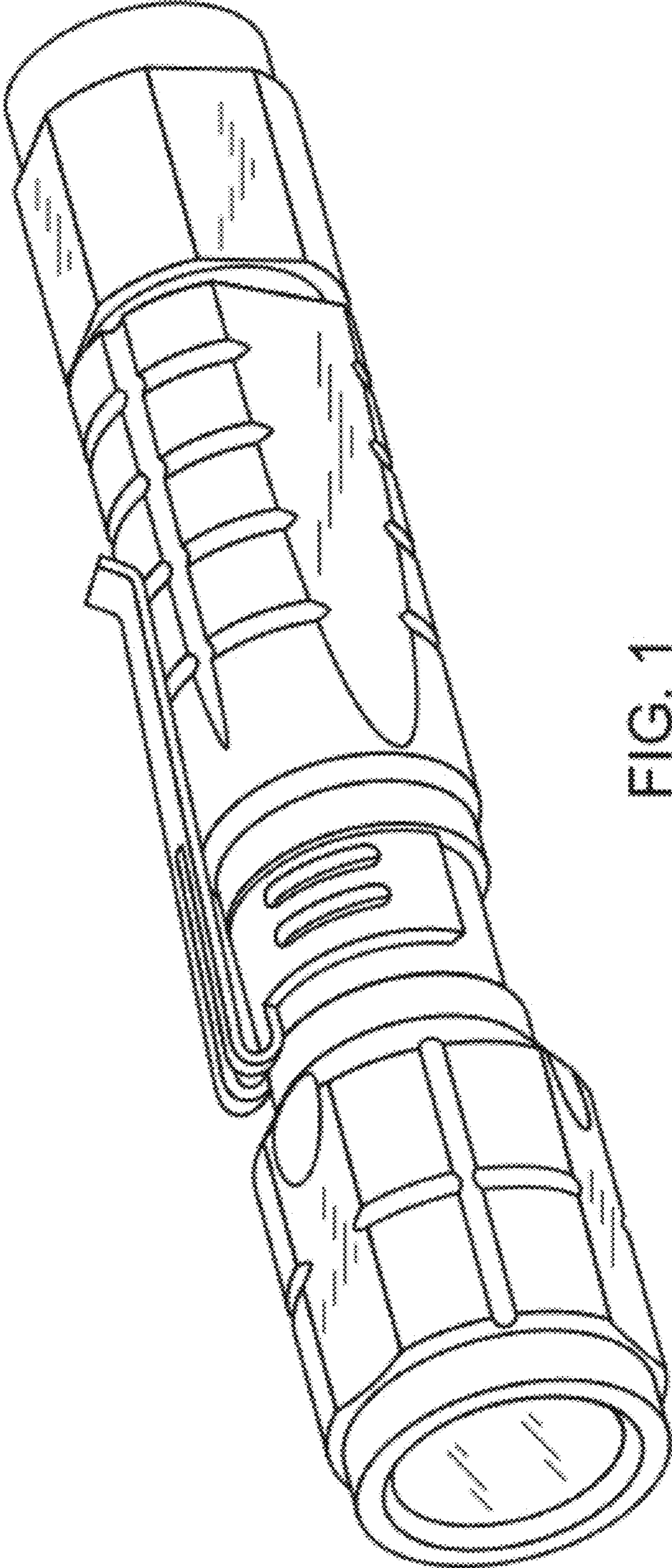


FIG. 1

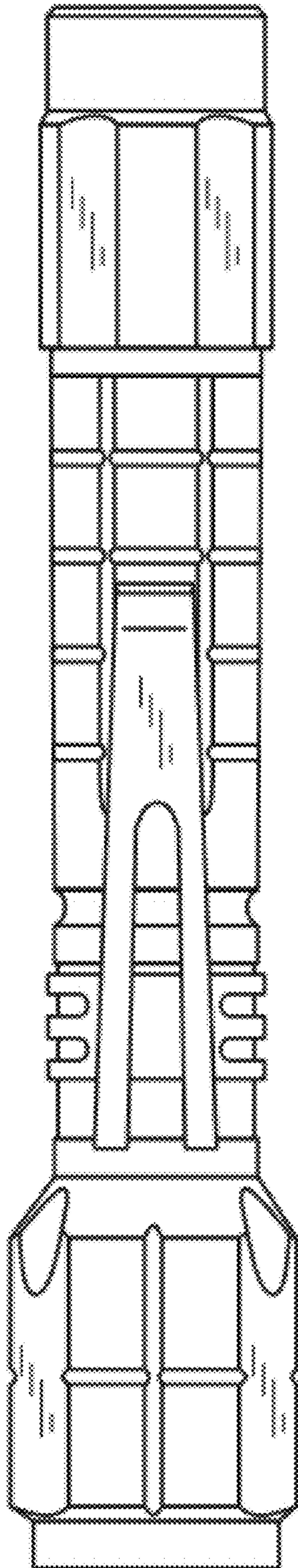


FIG. 2

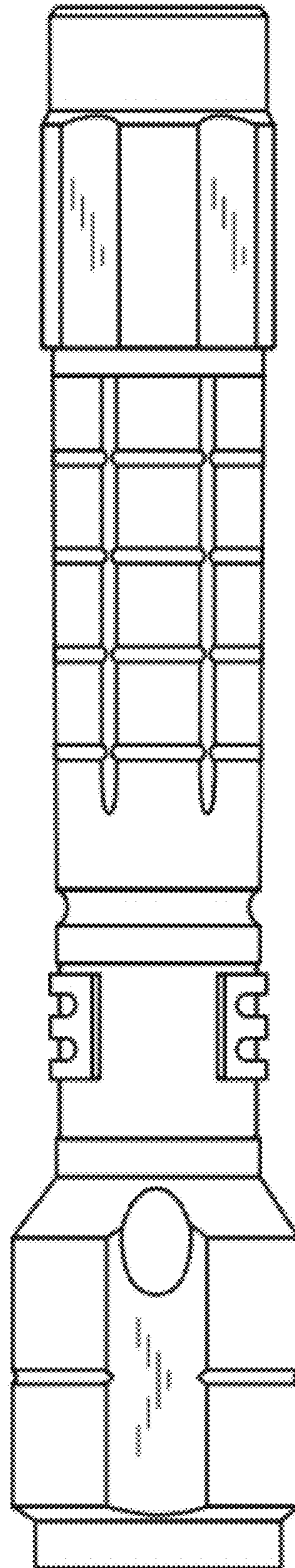


FIG. 3

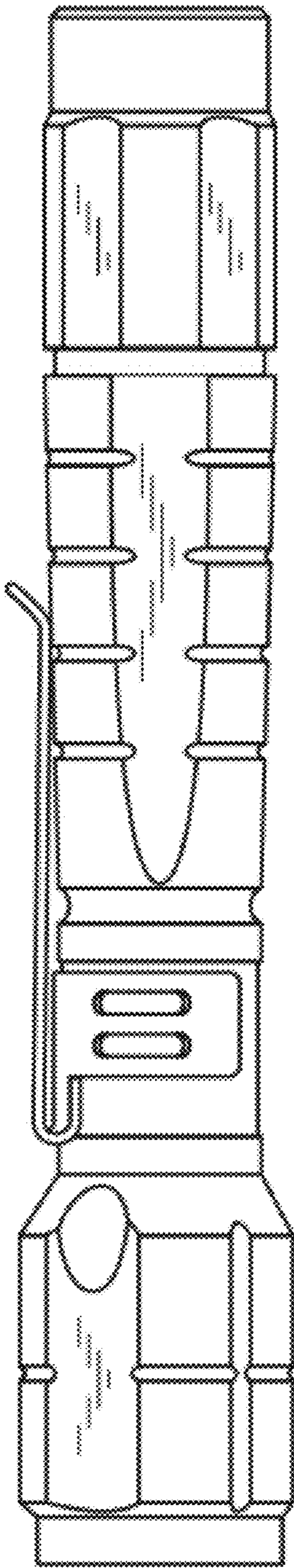


FIG. 4

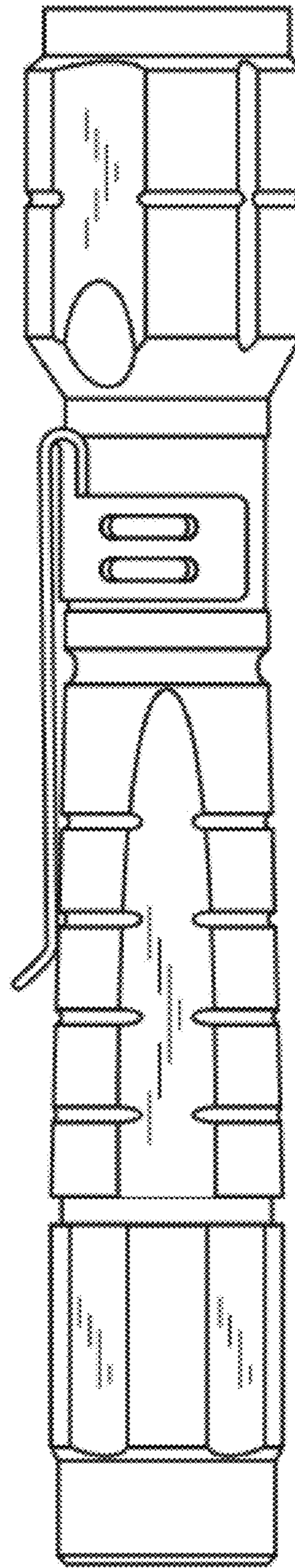


FIG. 5

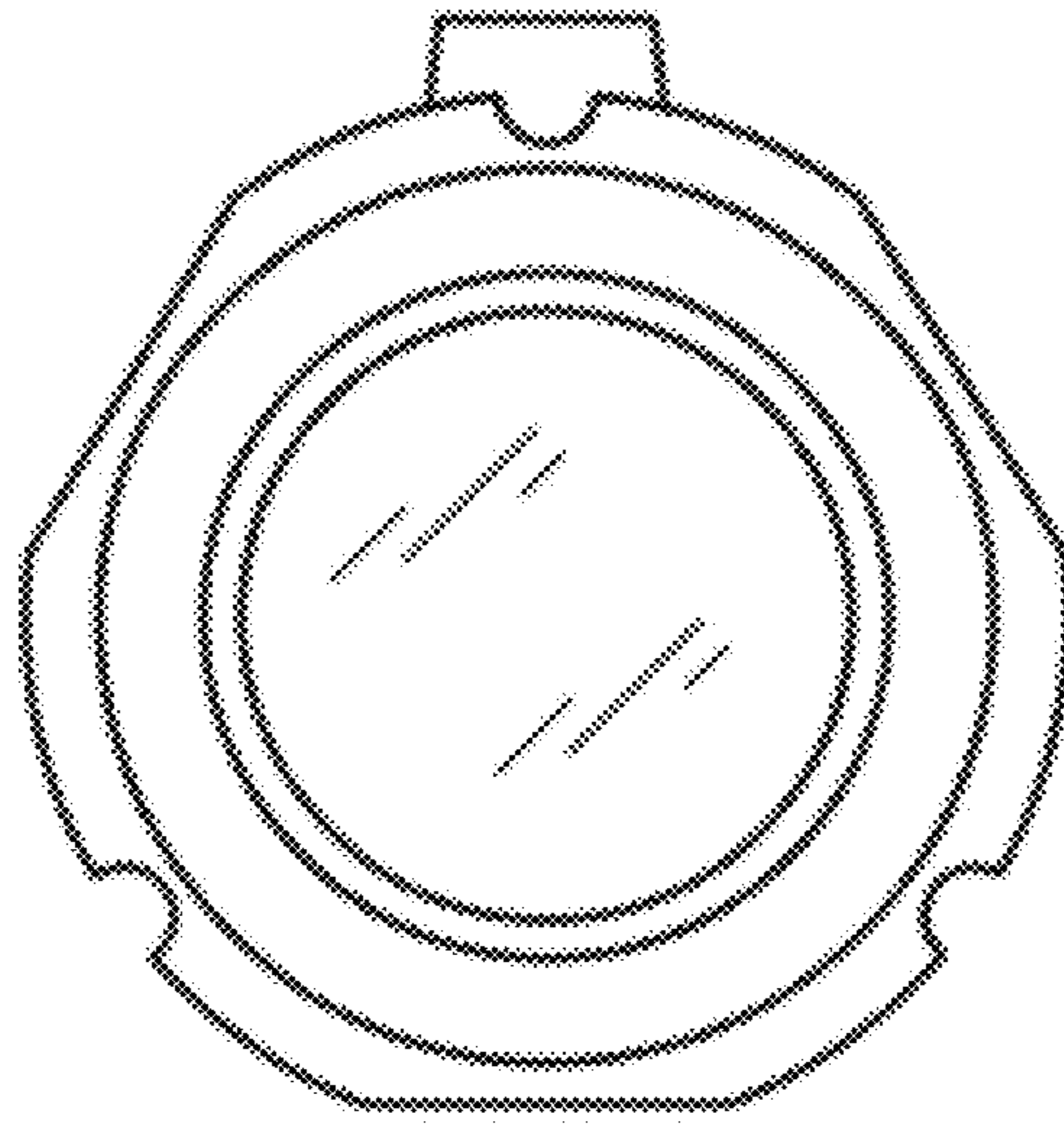


FIG. 6

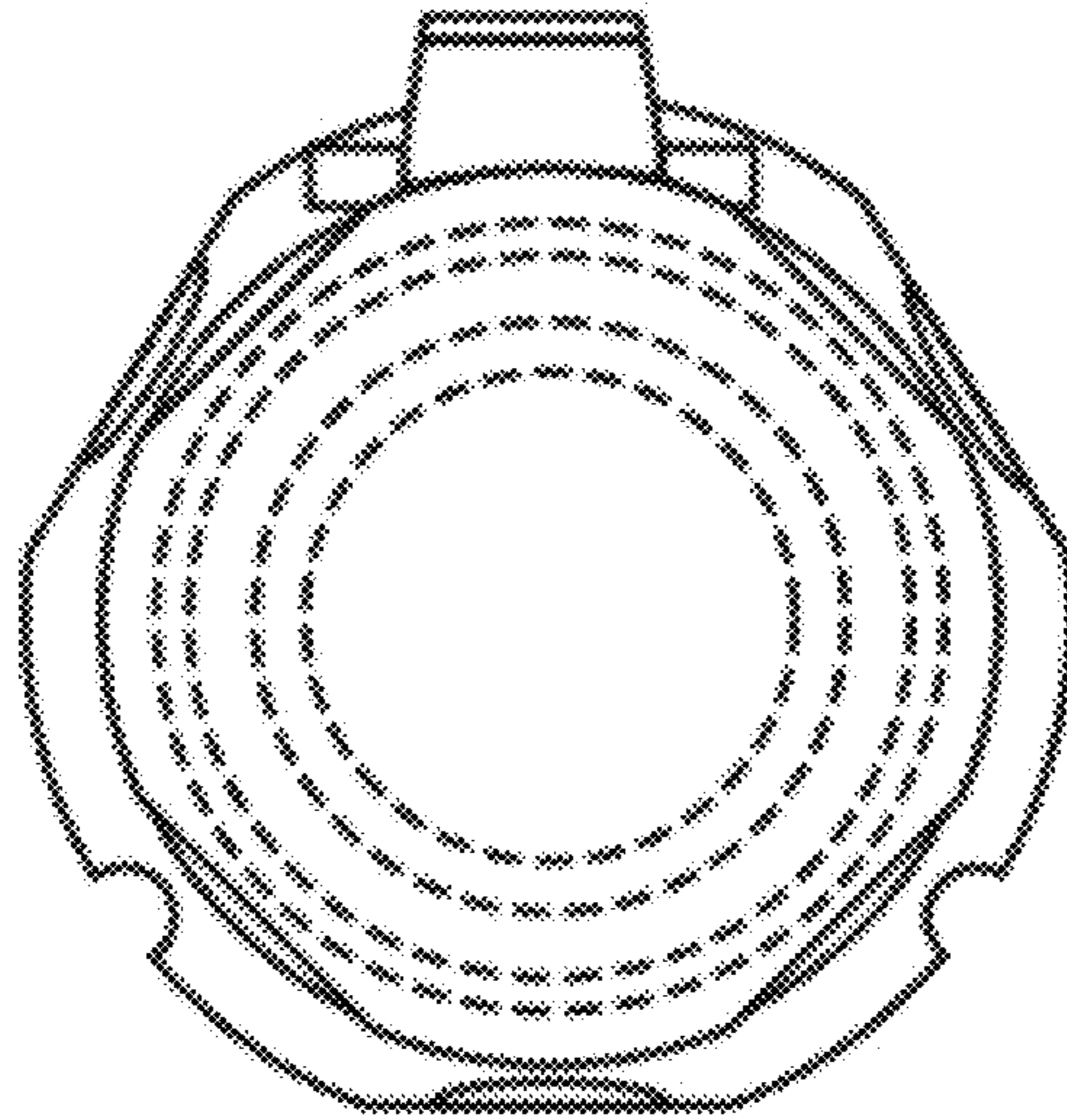


FIG. 7