



US00D673314S

(12) **United States Design Patent**
Levinger

(10) **Patent No.:** **US D673,314 S**

(45) **Date of Patent:** **** Dec. 25, 2012**

(54) **COMBINATION LIGHT AND CIGAR CUTTING BLADE**

(76) **Inventor:** **Frederick N. Levinger**, Palm Beach Gardens, FL (US)

(**) **Term:** **14 Years**

(21) **Appl. No.:** **29/413,091**

(22) **Filed:** **Feb. 10, 2012**

(51) **LOC (9) Cl.** **26-02**

(52) **U.S. Cl.** **D26/38; D26/49; D3/209**

(58) **Field of Classification Search** D26/37, D26/38, 40, 42, 46, 49, 51; 362/157, 158, 362/184, 194-208, 253; D27/194, 195; D3/209
See application file for complete search history.

(56) **References Cited**

U.S. PATENT DOCUMENTS

D253,494	S	*	11/1979	Sit-Lae	D26/49
5,535,763	A		7/1996	Conte		
D386,271	S	*	11/1997	Shiau	D26/46
5,738,117	A		4/1998	Fontaine, Jr.		
5,799,662	A		9/1998	Conte		
D403,451	S	*	12/1998	Ting	D26/37
5,862,808	A		1/1999	Albarello		
D407,508	S	*	3/1999	Chiu	D26/37
5,888,061	A		3/1999	Reynolds		
D413,401	S	*	8/1999	McDonald et al.	D26/49
D414,887	S	*	10/1999	McDonald et al.	D26/46
D414,893	S	*	10/1999	Moore	D27/195
D417,525	S	*	12/1999	Brushett	D27/195
6,026,574	A		2/2000	Ghavami et al.		
6,032,679	A		3/2000	McGlauffin		
6,102,047	A		8/2000	Manderick		
D431,355	S	*	10/2000	Boyd, Jr.	D3/209
D468,659	S	*	1/2003	Rauber	D11/81
D488,245	S	*	4/2004	McDonald et al.	D26/49
D495,076	S	*	8/2004	Mandel	D26/37

D497,215	S	*	10/2004	Shaljian	D26/51
6,907,886	B2		6/2005	Kemanjian		
D531,743	S	*	11/2006	Opolka	D26/37
D537,208	S	*	2/2007	Shaljian	D28/55
D560,007	S	*	1/2008	McMillan et al.	D26/37
D563,004	S	*	2/2008	Biglarians	D26/38
D608,942	S	*	1/2010	Hbaidu	D27/195
D612,968	S	*	3/2010	Ma	D26/49
D624,220	S	*	9/2010	Shaljian	D26/38
2005/0174754	A1	*	8/2005	Fang	362/118
2005/0257797	A1		11/2005	Taylor		
2009/0133705	A1		5/2009	Smith		
2011/0146696	A1		6/2011	Dipple		

* cited by examiner

Primary Examiner — Ian Simmons

Assistant Examiner — Carissa C Fitts

(74) *Attorney, Agent, or Firm* — Salter & Michaelson

(57) **CLAIM**

The ornamental design for a combination light and cigar cutting blade, as shown and described.

DESCRIPTION

FIG. 1 is a top front perspective view of a combination light and cigar cutting blade;

FIG. 2 is a left-side elevational view thereof;

FIG. 3 is a right-side elevational view thereof;

FIG. 4 is a top elevational view thereof;

FIG. 5 is a bottom elevational view thereof;

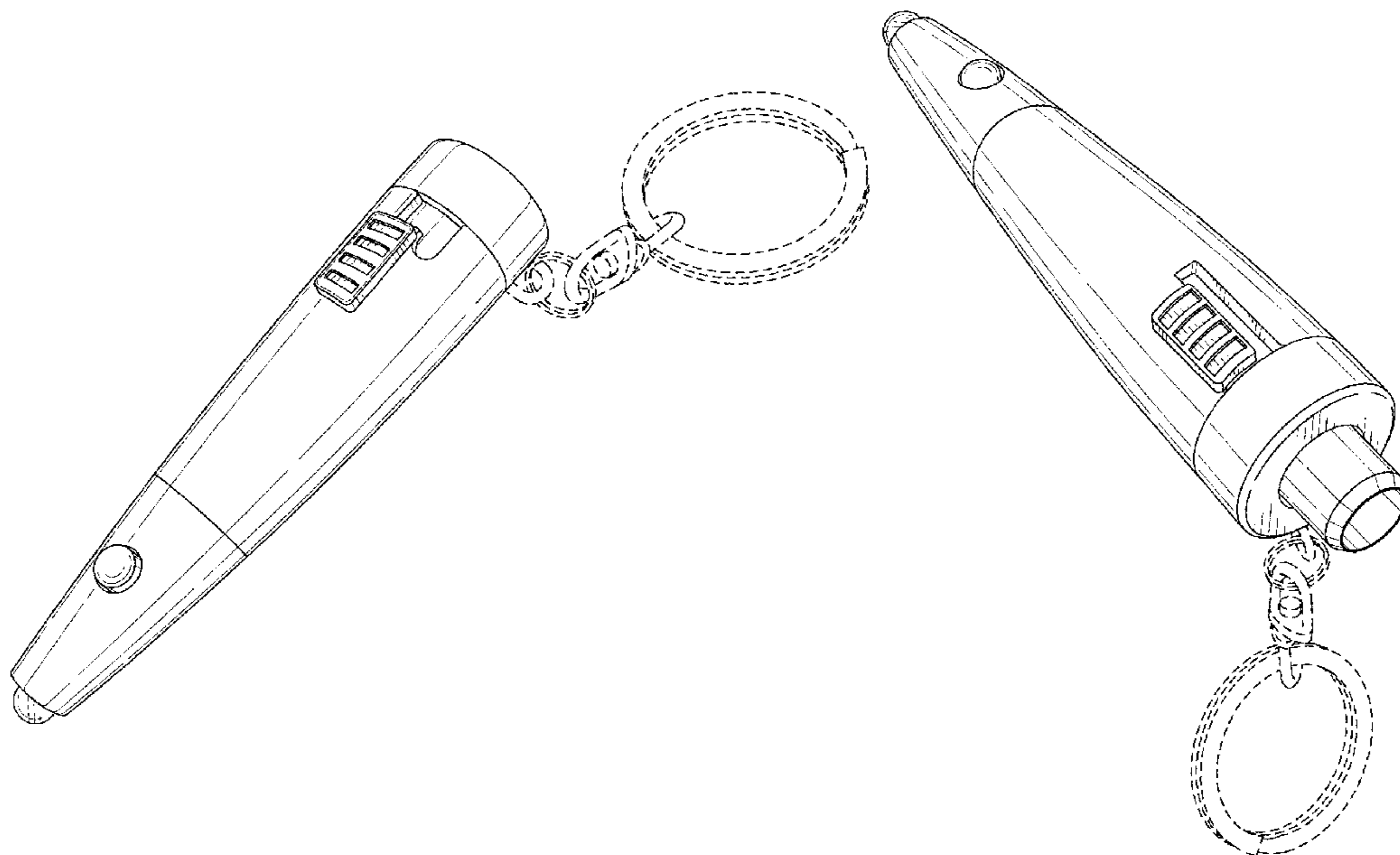
FIG. 6 is a front elevational view thereof;

FIG. 7 is a rear elevational view thereof; and,

FIG. 8 is a top rear perspective view thereof with the cutter in open position.

The portions shown in broken lines are included for illustrative purposes only and form no part of the claimed design.

1 Claim, 7 Drawing Sheets



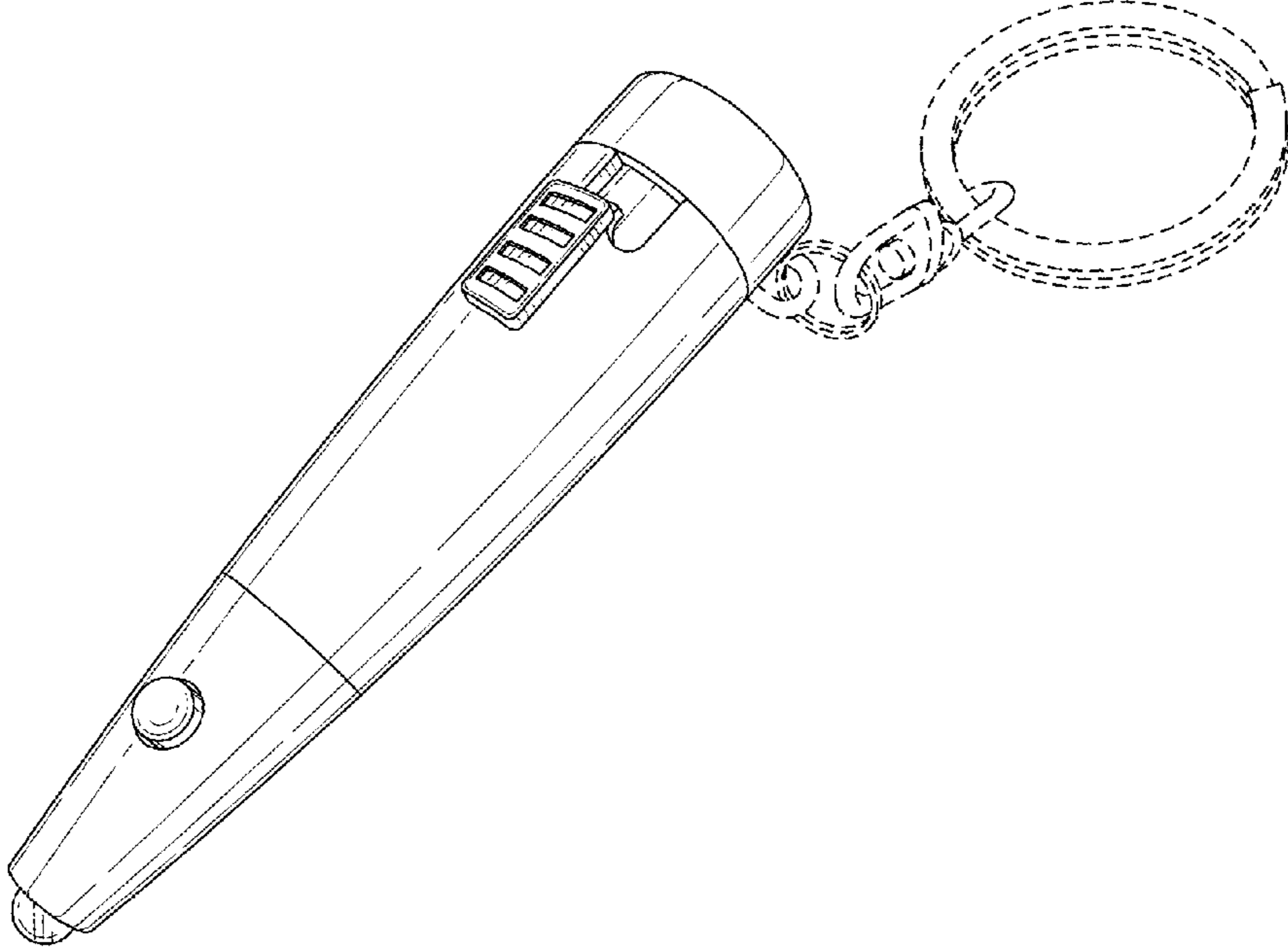


FIG. 1

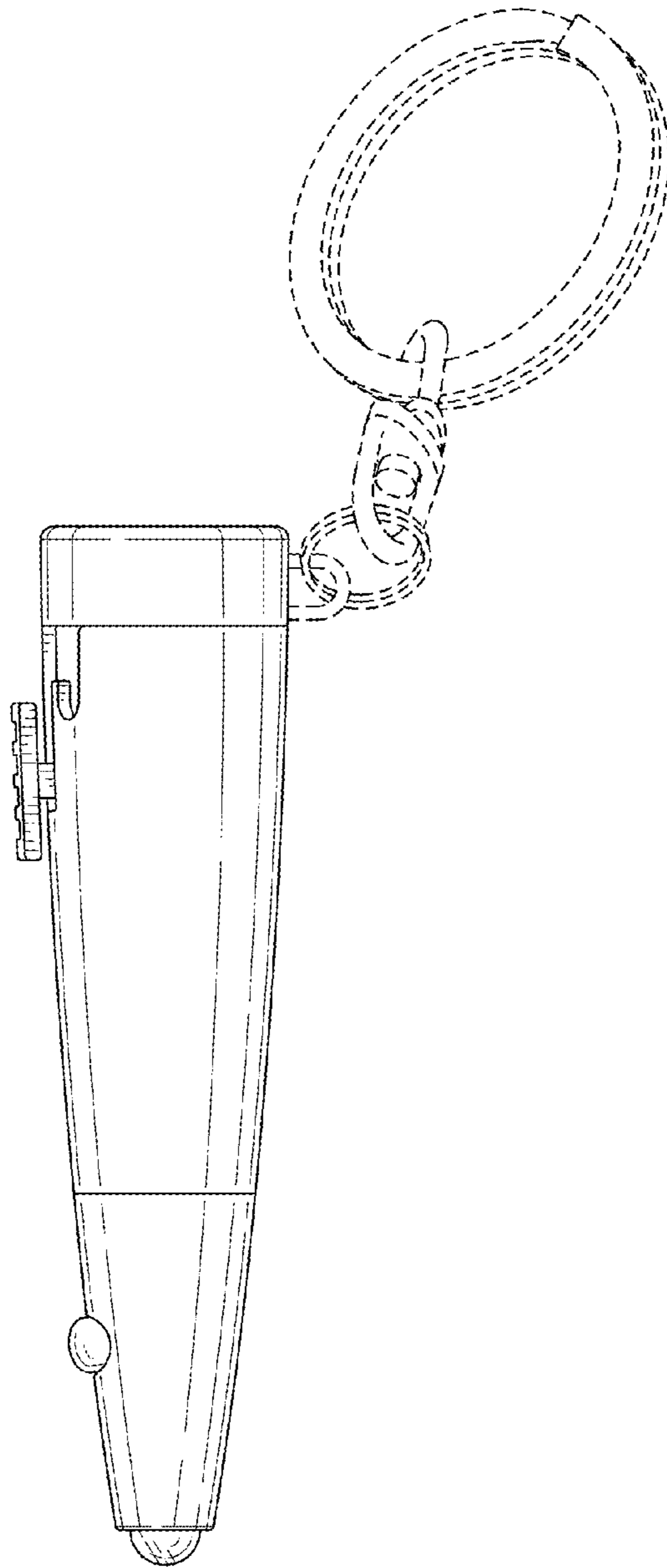


FIG. 2

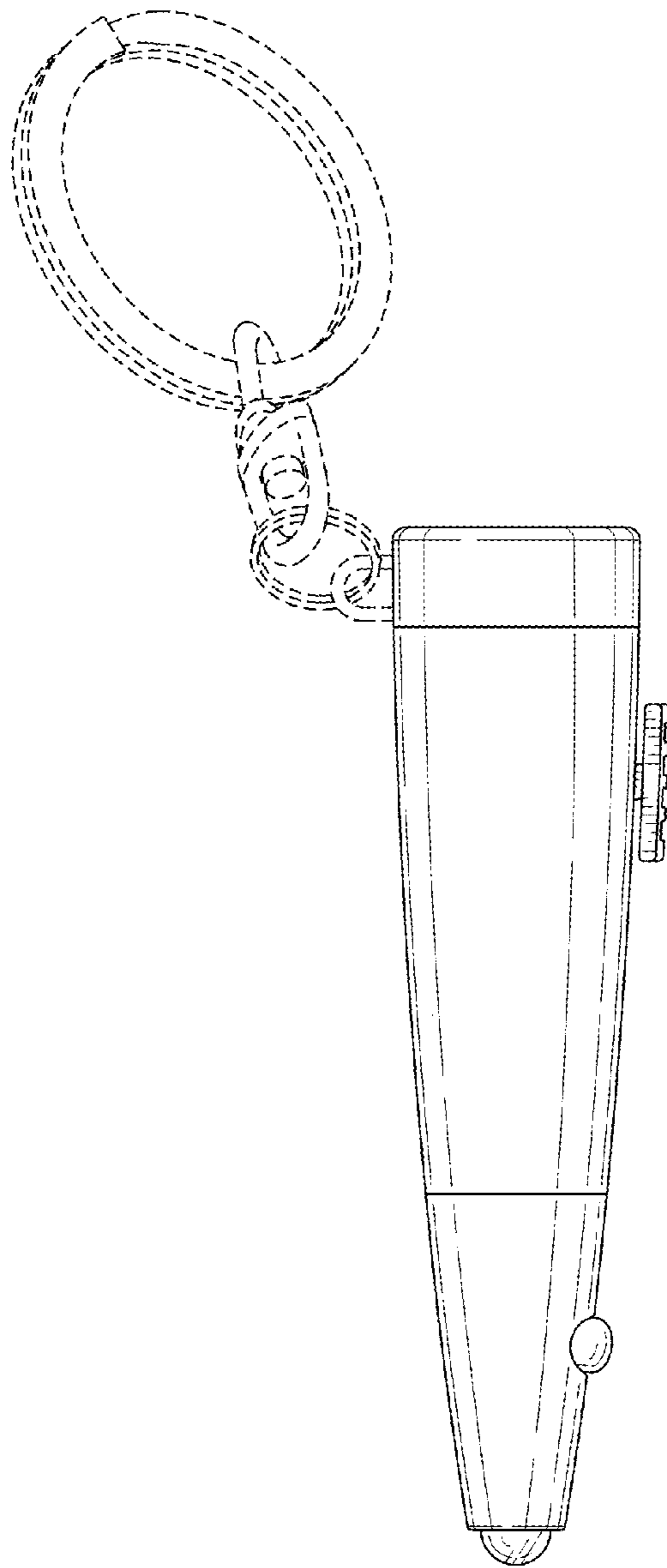


FIG. 3

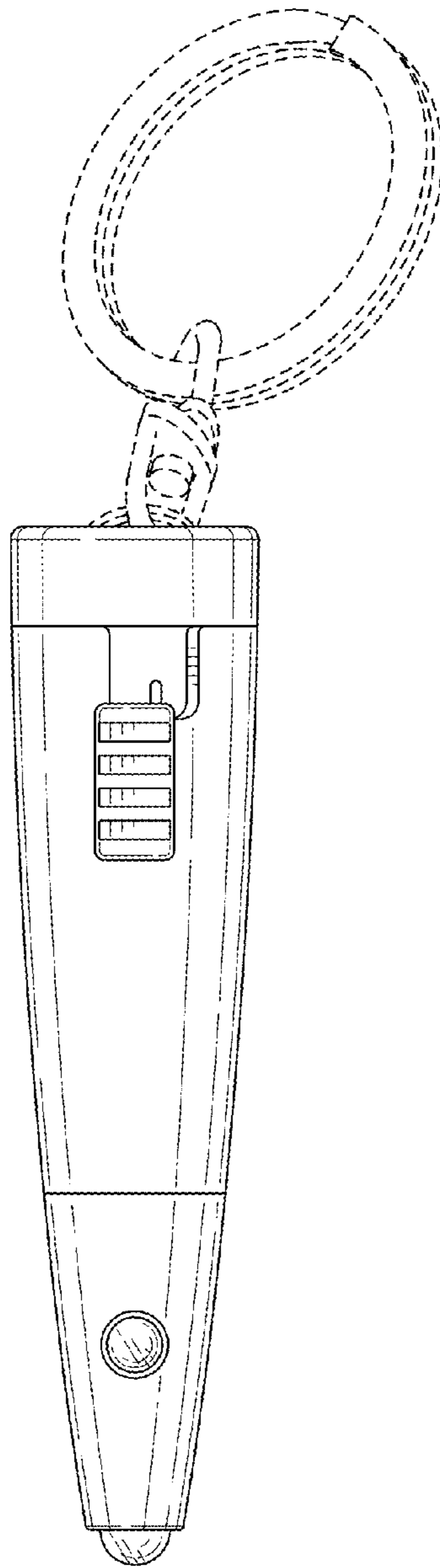


FIG. 4

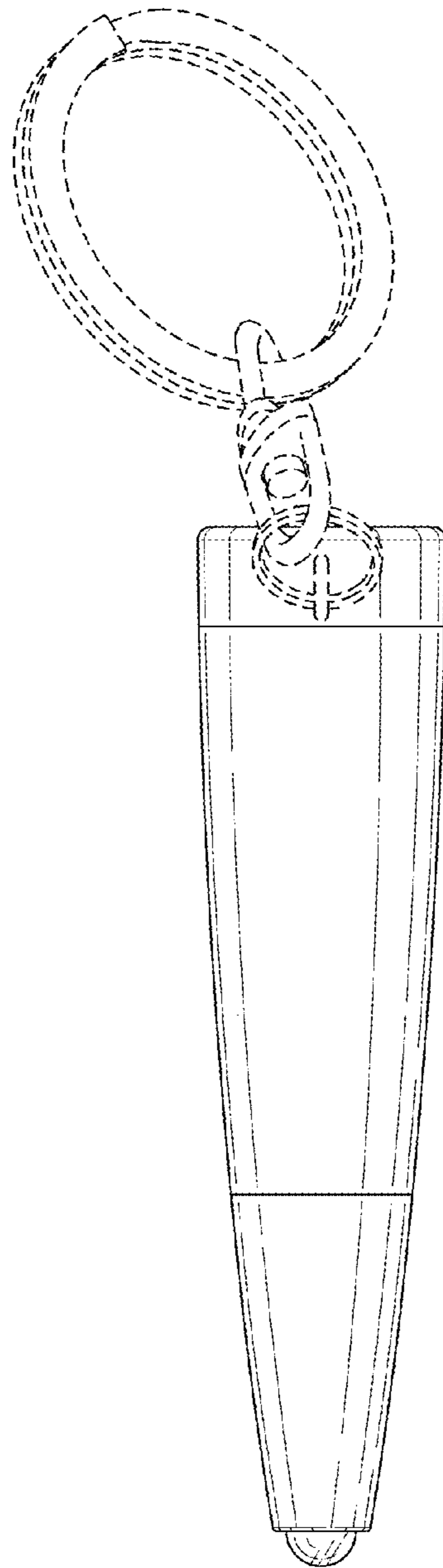


FIG. 5

FIG. 6

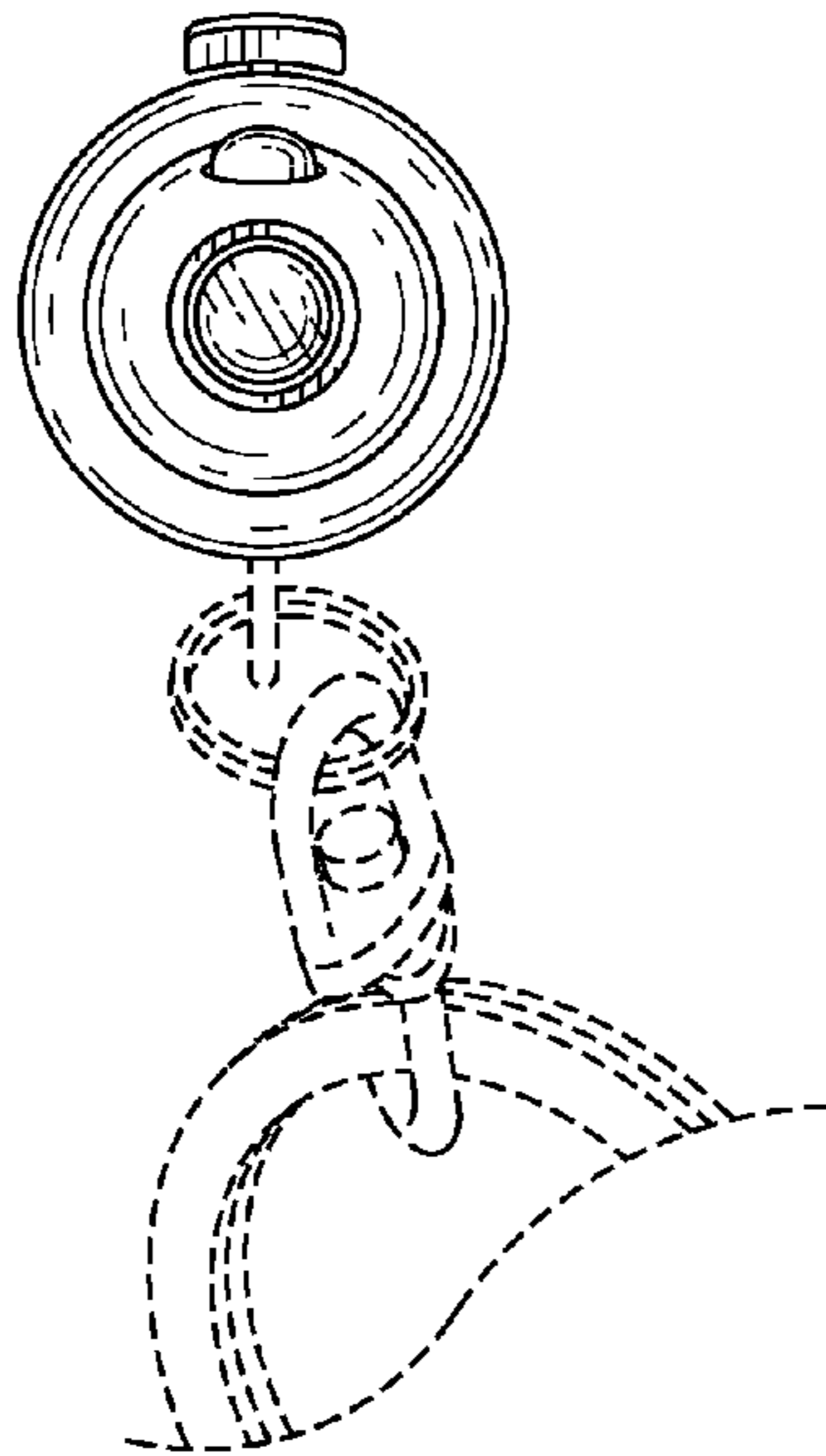
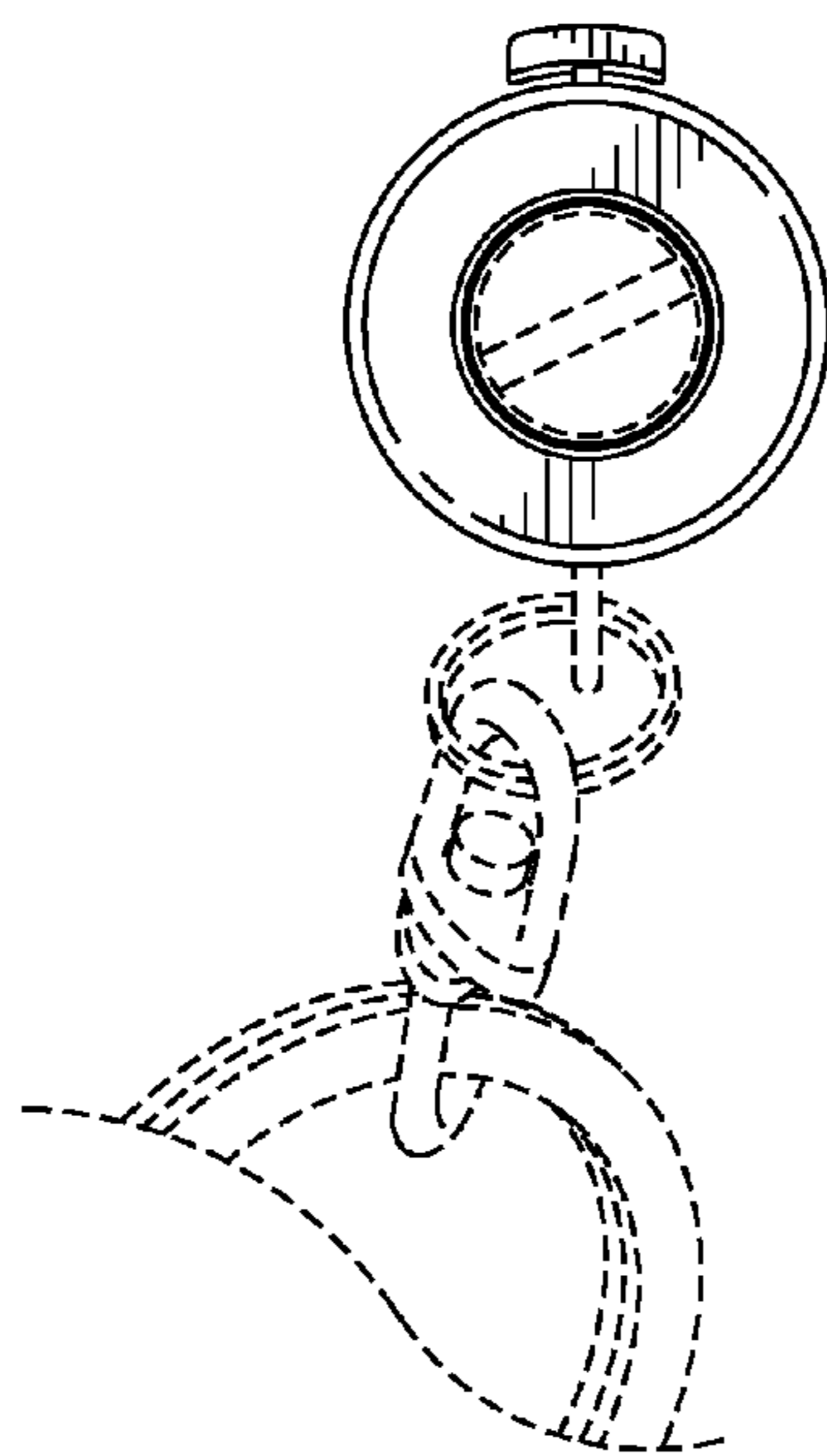


FIG. 7



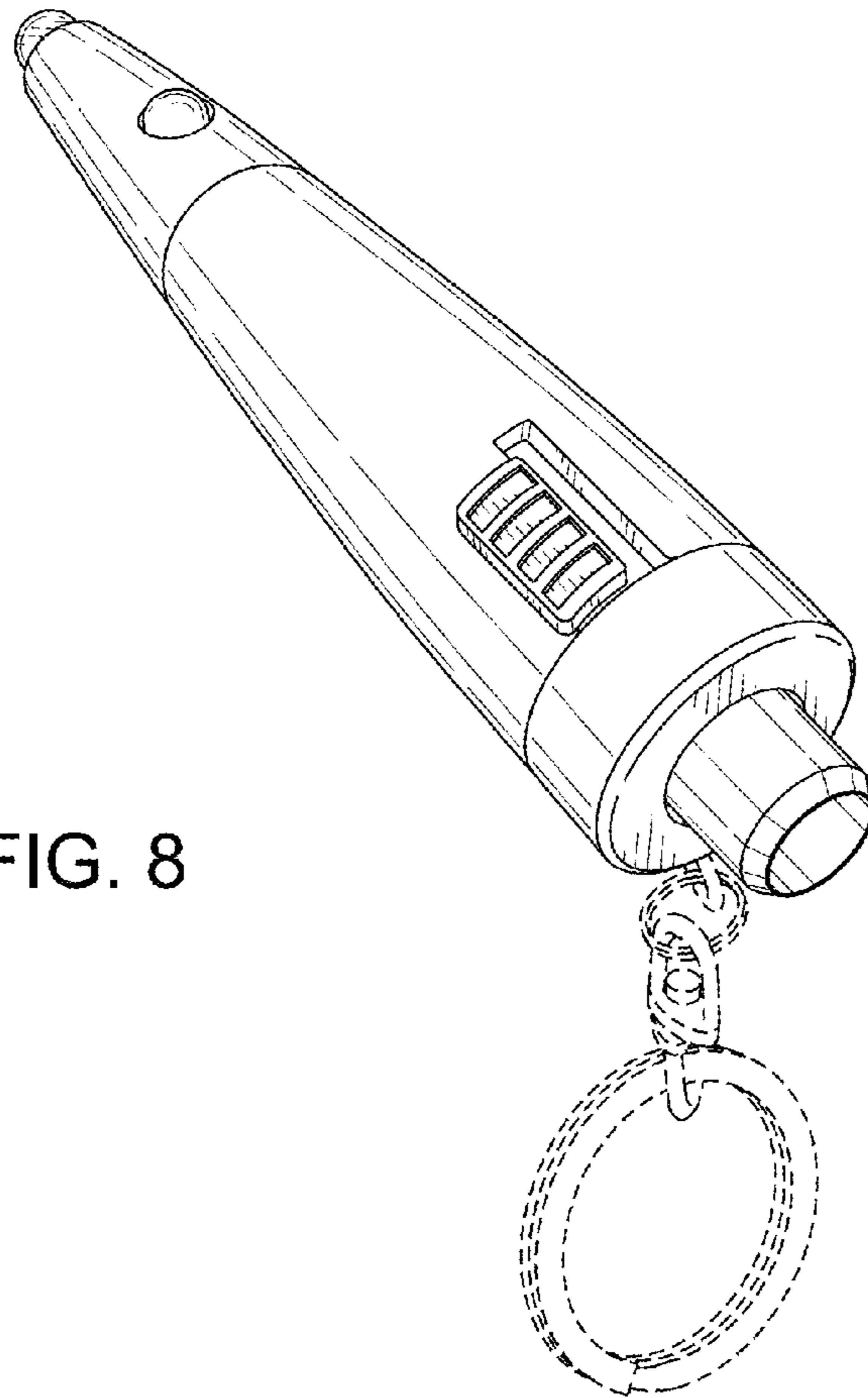


FIG. 8