



US00D673312S

(12) **United States Design Patent**
Bieling et al.

(10) **Patent No.:** **US D673,312 S**

(45) **Date of Patent:** **** Dec. 25, 2012**

(54) **TAILLIGHT FOR A VEHICLE**

(74) *Attorney, Agent, or Firm* — Crowell & Moring LLP

(75) Inventors: **Matthias Bieling**, Stuttgart (DE);
Hans-Dieter Futschik, Stuttgart (DE);
Stefan Handt, Stuttgart (DE); **Gorden**
Wagener, Stuttgart (DE)

(57) **CLAIM**

The ornamental design for a taillight for a vehicle, as shown and described.

(73) Assignee: **Daimler AG**, Stuttgart (DE)

DESCRIPTION

(**) Term: **14 Years**

This application contains subject matter related to the following co-pending U.S. design patent applications:

(21) Appl. No.: **29/371,338**

Application Ser. No. 29/371,337, filed herewith and entitled "Taillight for a Vehicle";

(22) Filed: **Jan. 6, 2011**

Application Ser. No. 29/371,336, filed herewith and entitled "Taillight for a Vehicle";

(30) **Foreign Application Priority Data**

Application Ser. No. 29/311,765, filed Jun. 15, 2009 and entitled "Vehicle and Vehicle Shaped Articles;"

Jul. 7, 2010 (DE) 402010003618

Application Ser. No. 29/311,766, filed Jun. 15, 2009 and entitled "Rear Portion of a Vehicle and Vehicle Shaped Articles;" and

(51) **LOC (9) Cl.** **26-06**

(52) **U.S. Cl.** **D26/28**

(58) **Field of Classification Search** D26/28-36;
362/459-468, 475-478, 485-487

Application Ser. No. 29/311,649, filed May 15, 2009 and entitled "Taillight for a Vehicle."

See application file for complete search history.

FIG. 1 is a left perspective view of a first embodiment of a taillight for a vehicle according to our design;

(56) **References Cited**

FIG. 2 is a front view thereof;

U.S. PATENT DOCUMENTS

FIG. 3 is a left side view thereof; and

| | | | |
|--------------|---------|-----------------|--------|
| D507,991 S | 8/2005 | Pfeiffer et al. | |
| D514,026 S | 1/2006 | Pfeiffer et al. | |
| D523,976 S | 6/2006 | Pfeiffer et al. | |
| D528,231 S * | 9/2006 | Ikeda | D26/28 |
| D528,686 S * | 9/2006 | Kato | D26/28 |
| D529,208 S * | 9/2006 | Ikeda | D26/28 |
| D535,409 S * | 1/2007 | Yamaguchi | D26/28 |
| D550,380 S * | 9/2007 | Lin | D26/28 |
| D602,616 S * | 10/2009 | Okamura et al. | D26/28 |

FIG. 4 is a top view thereof.

FIG. 5 is a right perspective view of a second embodiment of the taillight for a vehicle according to our design, with the taillight for a vehicle for the opposite side of the vehicle being depicted in the first embodiment;

* cited by examiner

FIG. 6 is a front view thereof;

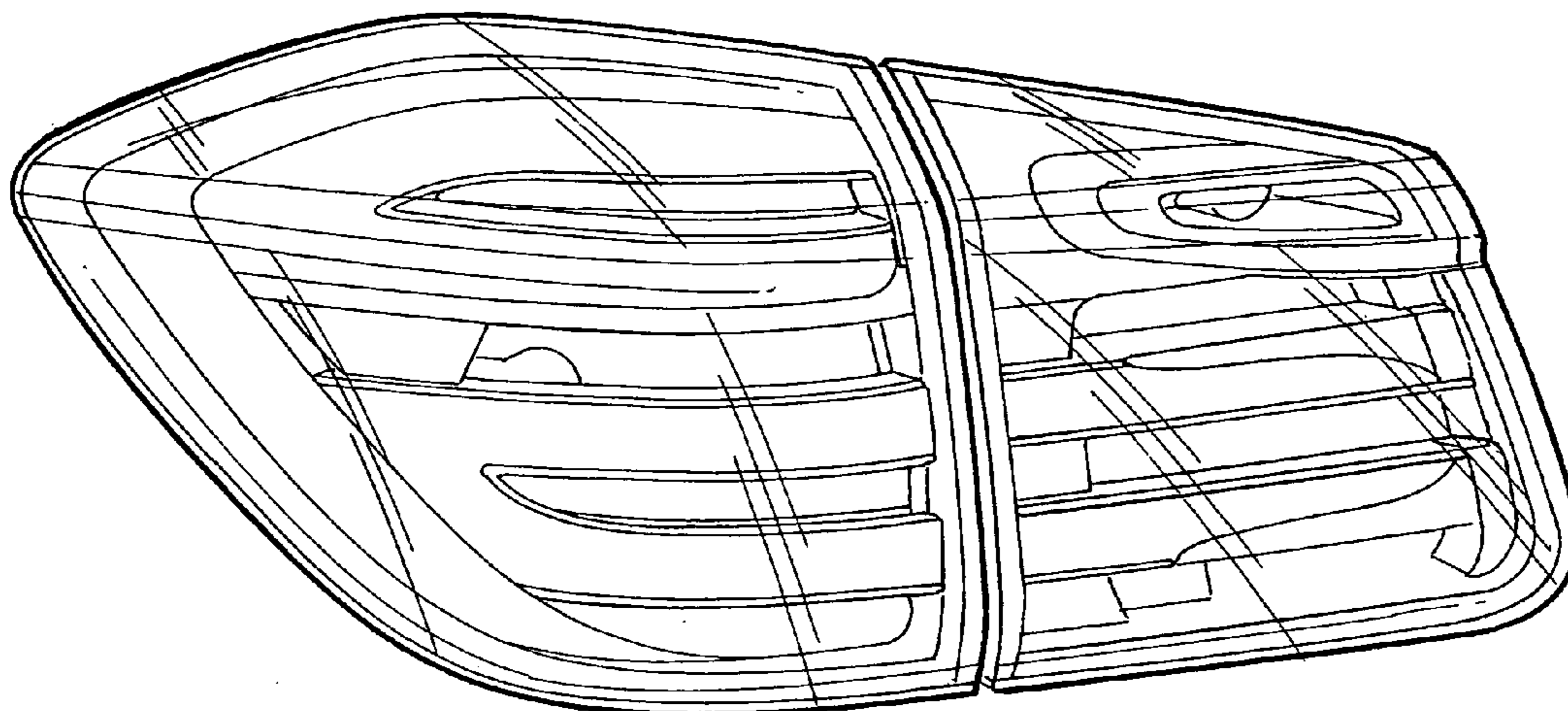
FIG. 7 is a right side view thereof; and,

FIG. 8 is a top view thereof.

The broken lines are for illustrative purposes only and form no part of the claimed design.

Primary Examiner — Marcus Jackson

1 Claim, 6 Drawing Sheets



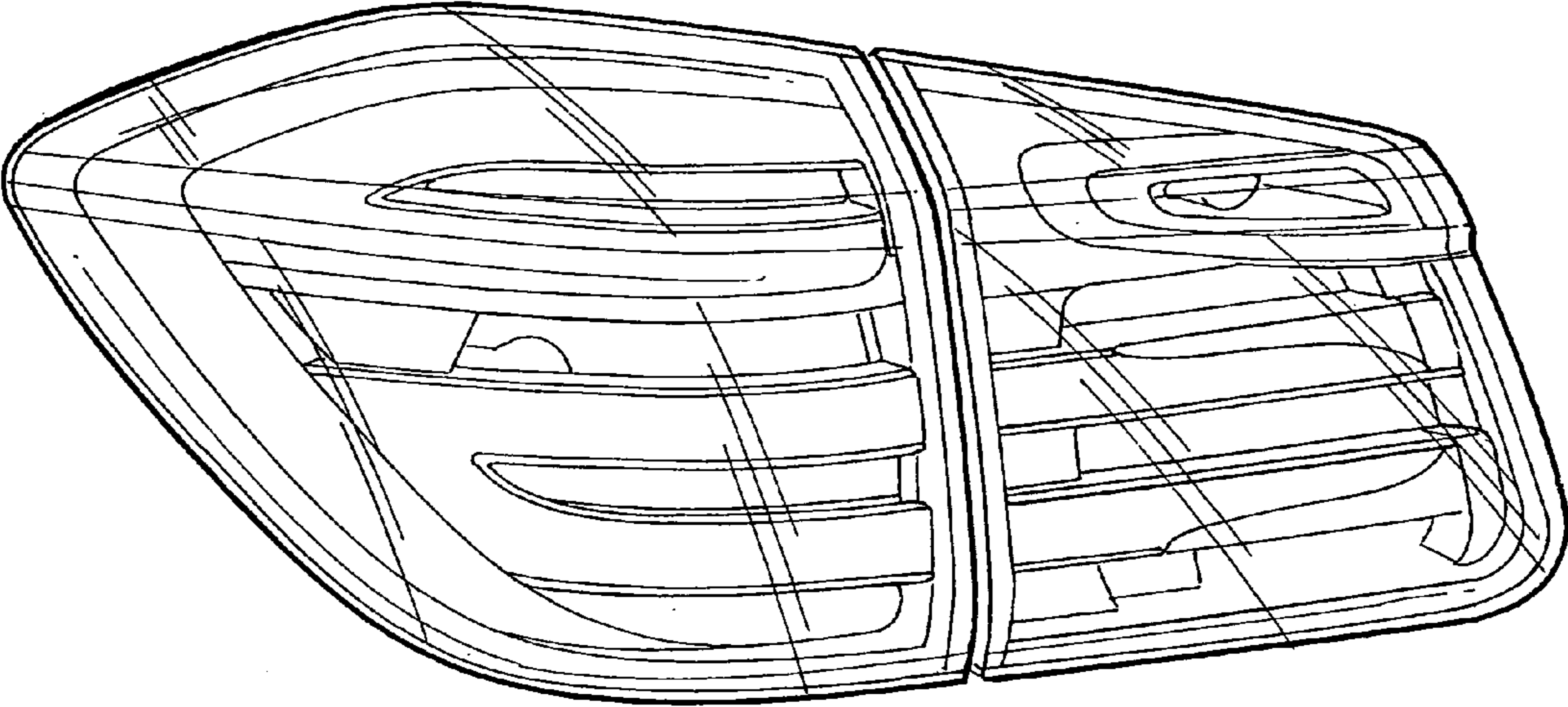


FIG. 1

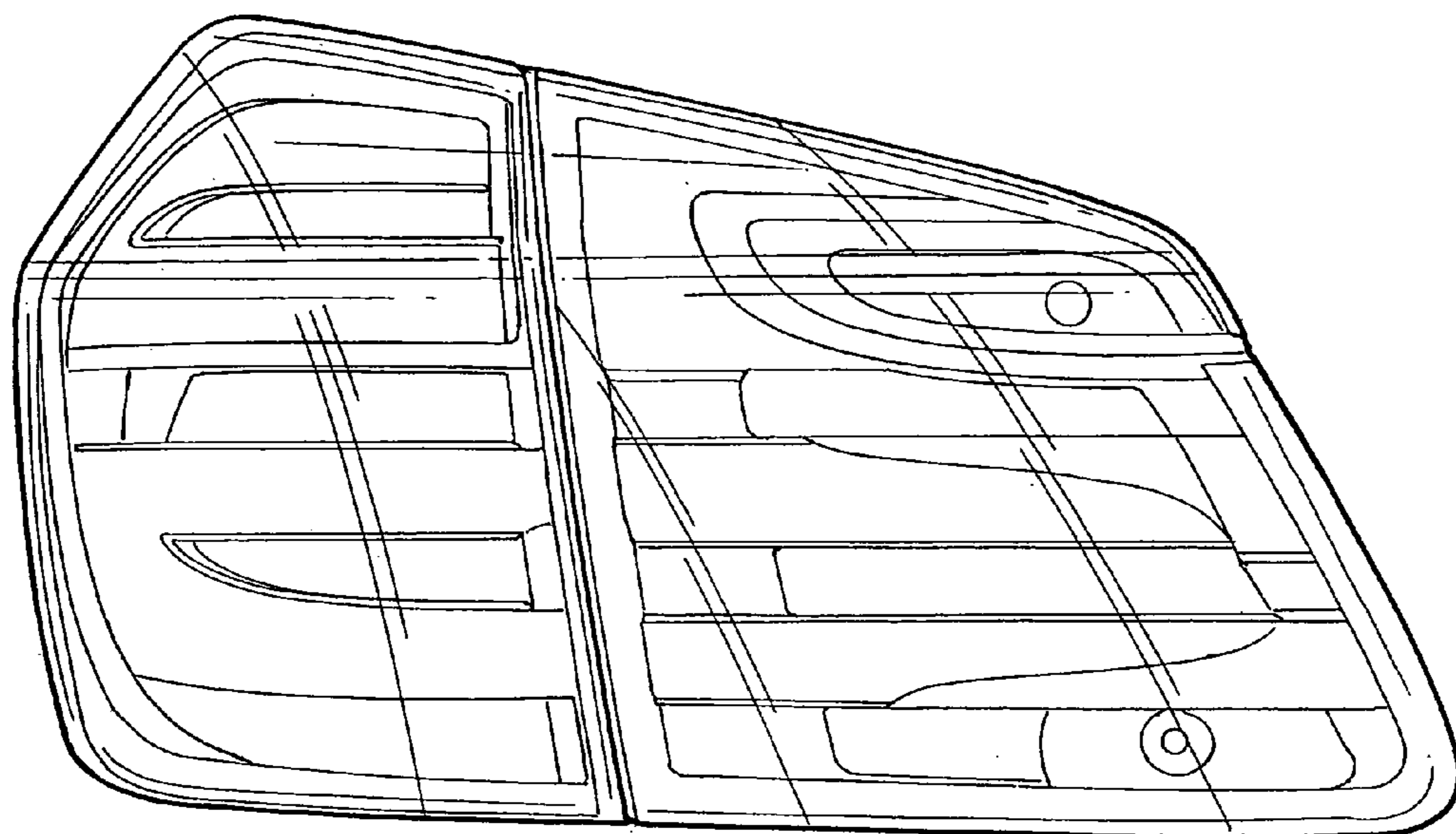


FIG. 2

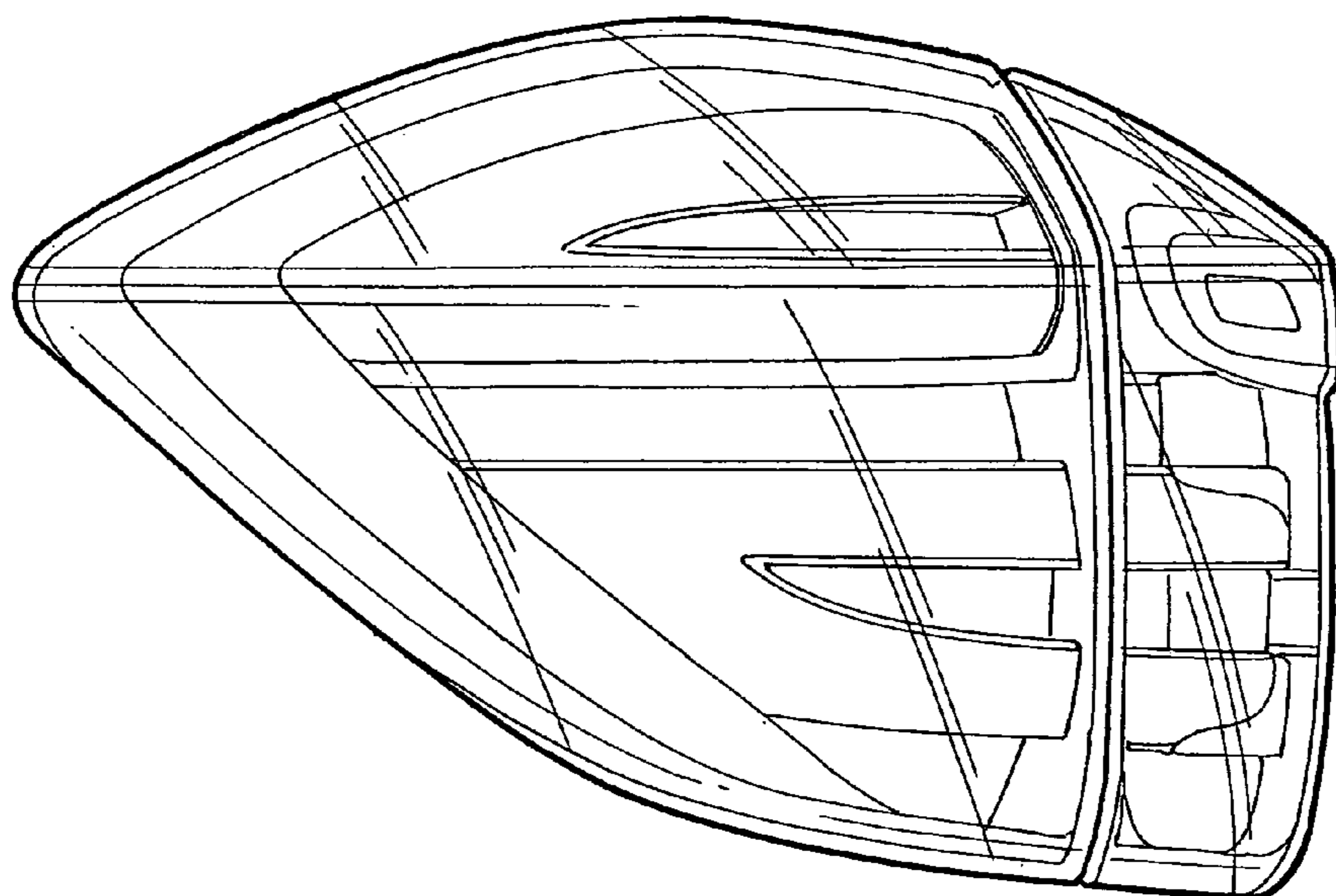


FIG. 3

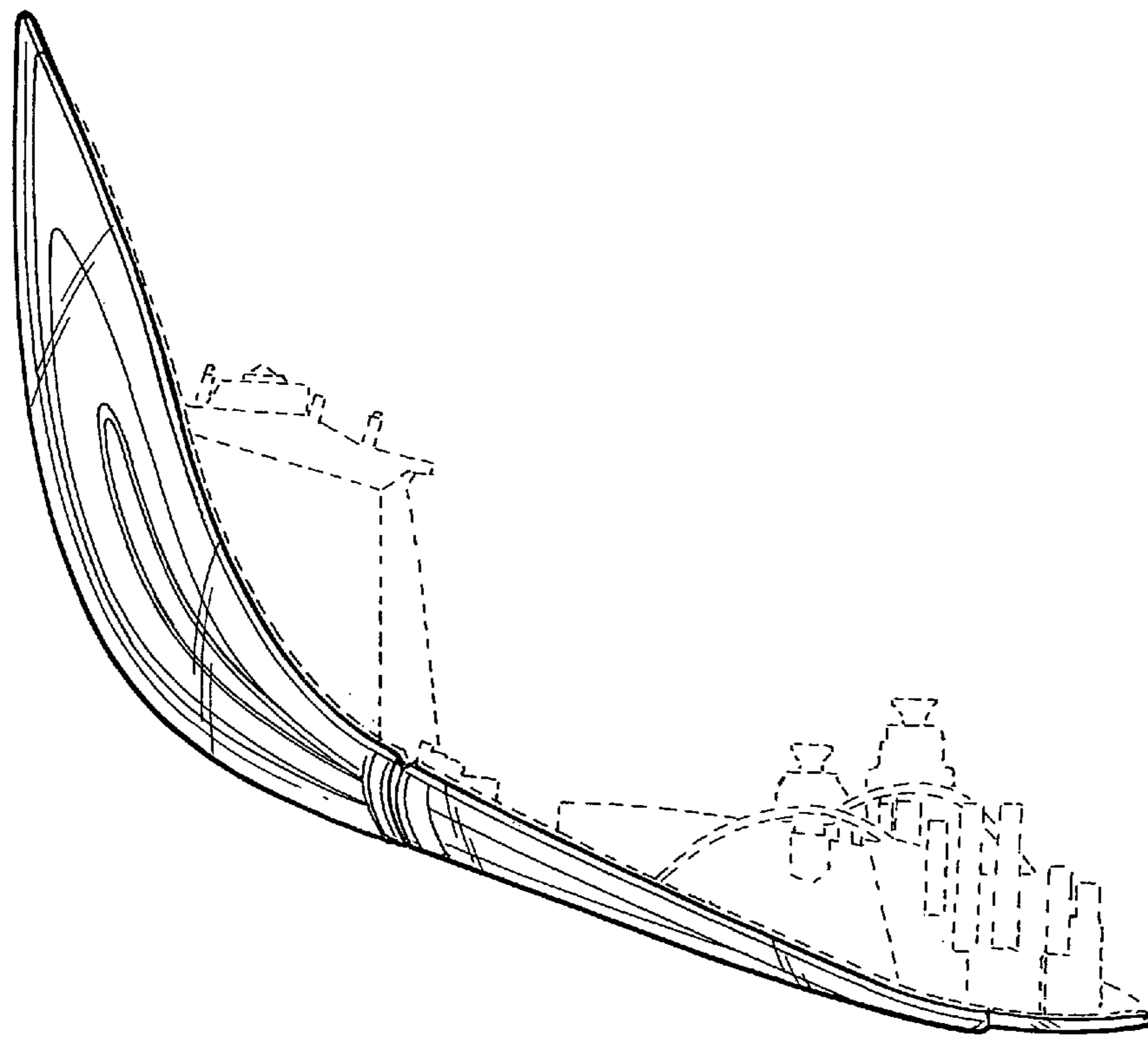


FIG. 4

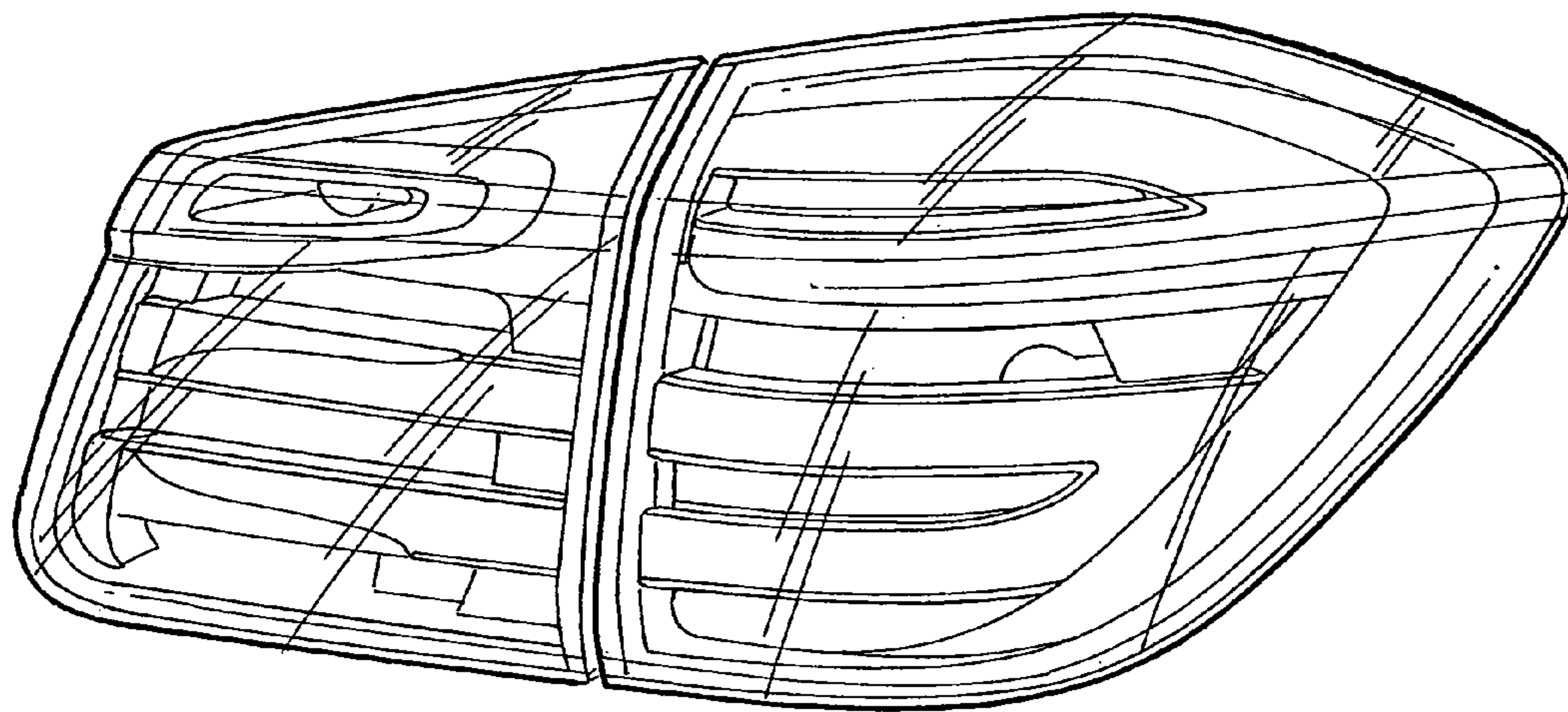


FIG. 5

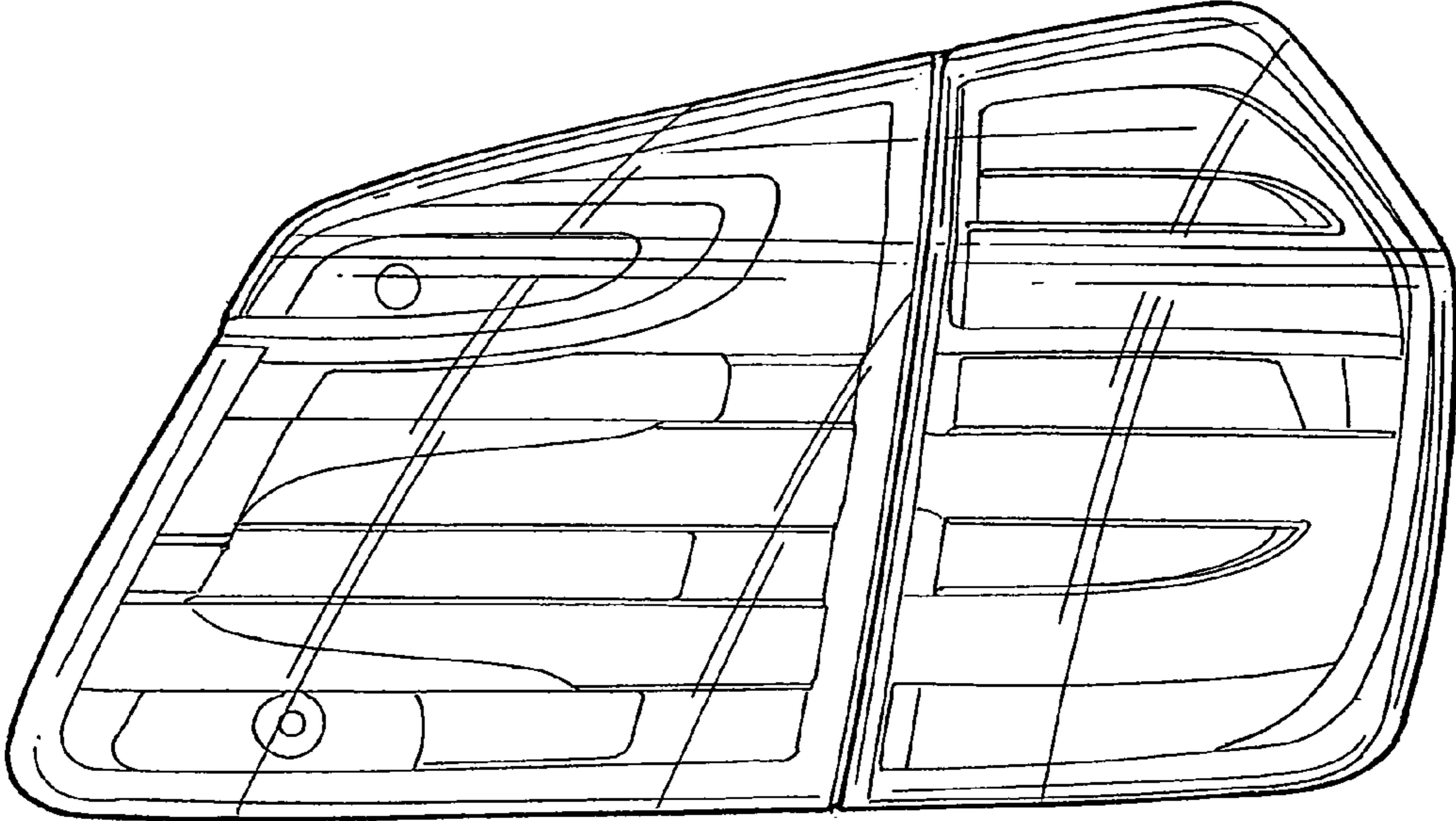


FIG. 6

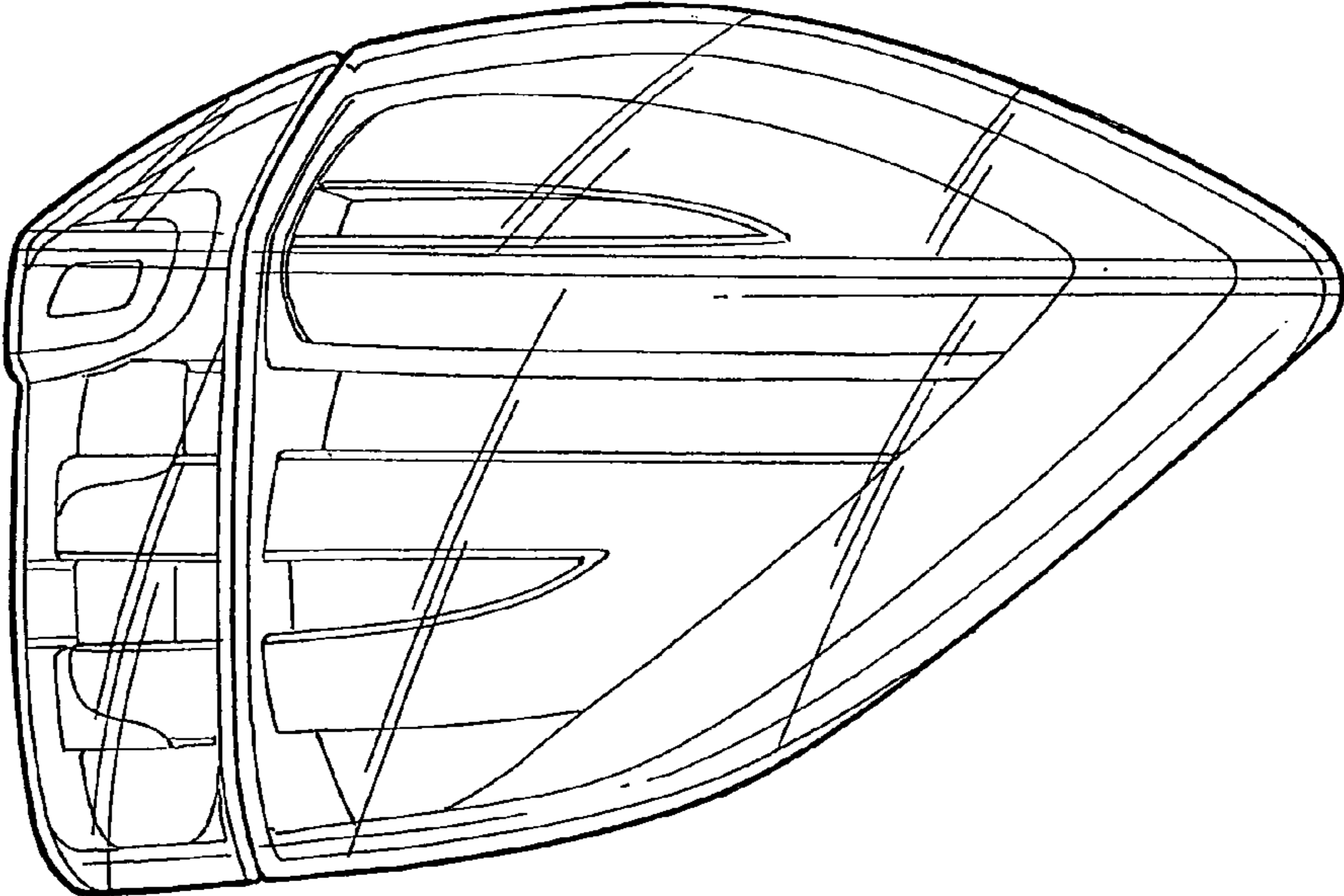


FIG. 7

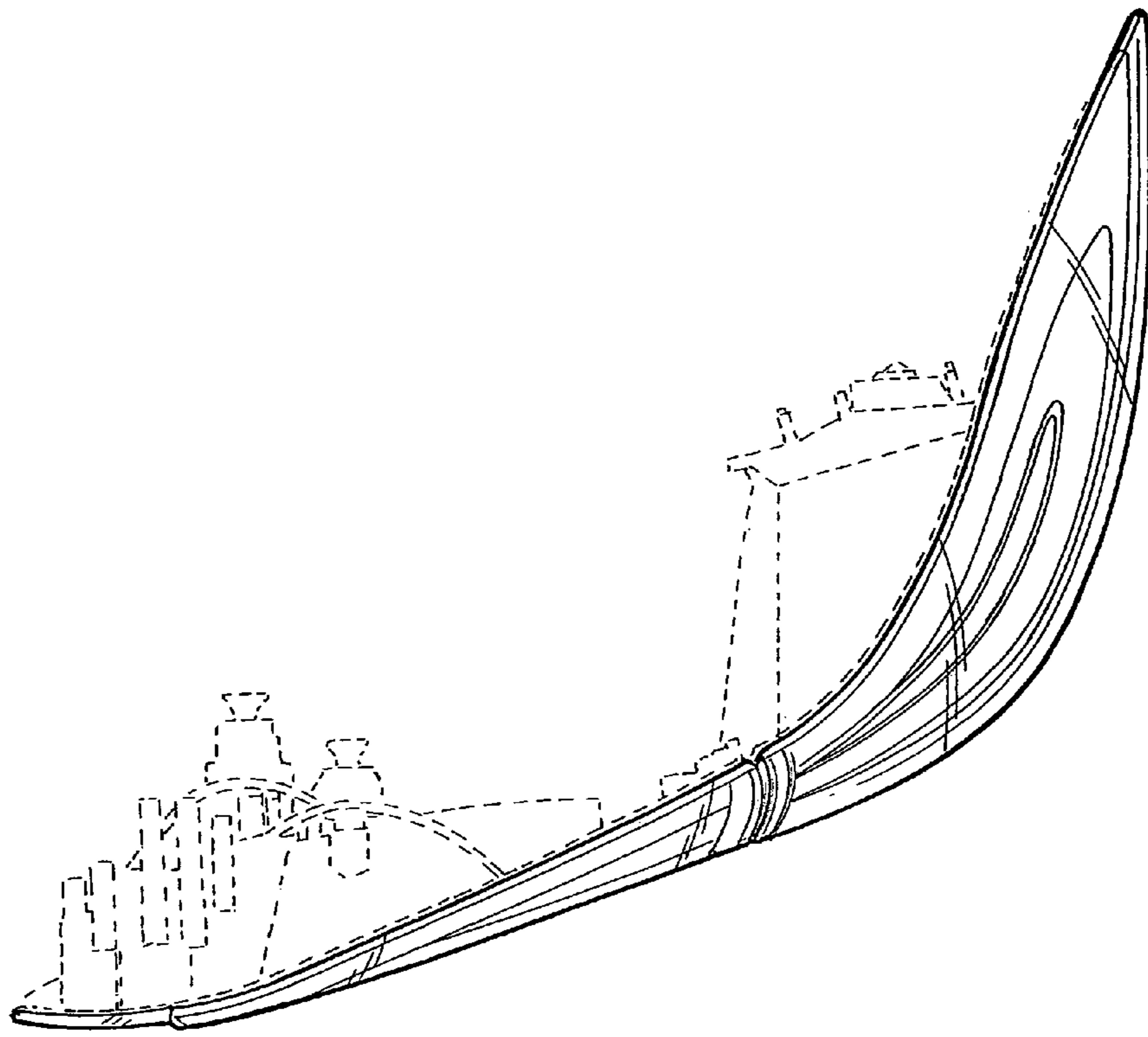


FIG. 8