



US00D673308S

(12) **United States Design Patent**
Tsai

(10) **Patent No.:** **US D673,308 S**

(45) **Date of Patent:** **** Dec. 25, 2012**

(54) **LED LIGHT**

(75) **Inventor:** **Wen-Kuei Tsai, Taipei (TW)**

(73) **Assignee:** **Top Energy Saving System Corp., New Taipei (TW)**

(**) **Term:** **14 Years**

(21) **Appl. No.:** **29/402,064**

(22) **Filed:** **Sep. 20, 2011**

(30) **Foreign Application Priority Data**

Mar. 23, 2011 (TW) 100301378U01

(51) **LOC (9) Cl.** **26-04**

(52) **U.S. Cl.** **D26/2**

(58) **Field of Classification Search** D26/1-4;
313/313, 315, 316, 317, 318, 493; 315/52,
315/53, 56, 57, 58

See application file for complete search history.

(56) **References Cited**

U.S. PATENT DOCUMENTS

D535,038 S * 1/2007 Egawa et al. D26/2
D582,578 S * 12/2008 Tsai et al. D26/2
D584,838 S * 1/2009 To et al. D26/2

D594,995 S * 6/2009 Komar D26/2
D601,722 S * 10/2009 Foo D26/2
D631,989 S * 2/2011 Bobel D26/2
D635,280 S * 3/2011 Chao D26/2
D640,805 S * 6/2011 Li et al. D26/2
D645,580 S * 9/2011 Yoshinobu D26/2
D657,075 S * 4/2012 Guohui D26/2

* cited by examiner

Primary Examiner — Marcus Jackson

(74) *Attorney, Agent, or Firm* — Stout, Uxa, Buyan & Mullins, LLP

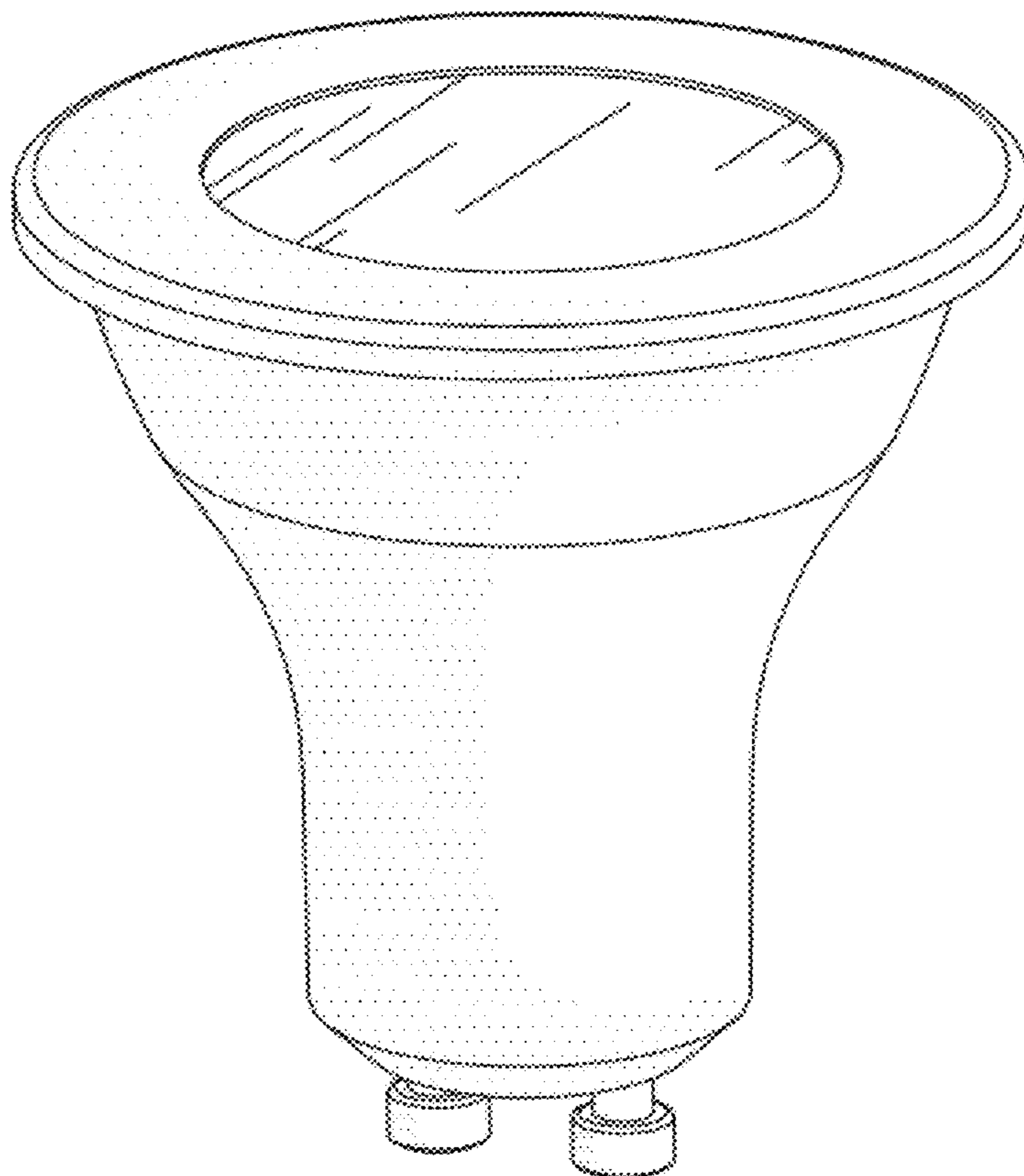
(57) **CLAIM**

The ornamental design for an LED light, as shown and described.

DESCRIPTION

FIG. 1 is a perspective view of a design for an LED light showing our new design;
FIG. 2 is a front elevational view thereof;
FIG. 3 is a rear elevational view thereof;
FIG. 4 is a left side elevational view thereof;
FIG. 5 is a right side elevational view thereof;
FIG. 6 is a top plan view thereof; and,
FIG. 7 is a bottom plan view thereof.

1 Claim, 7 Drawing Sheets



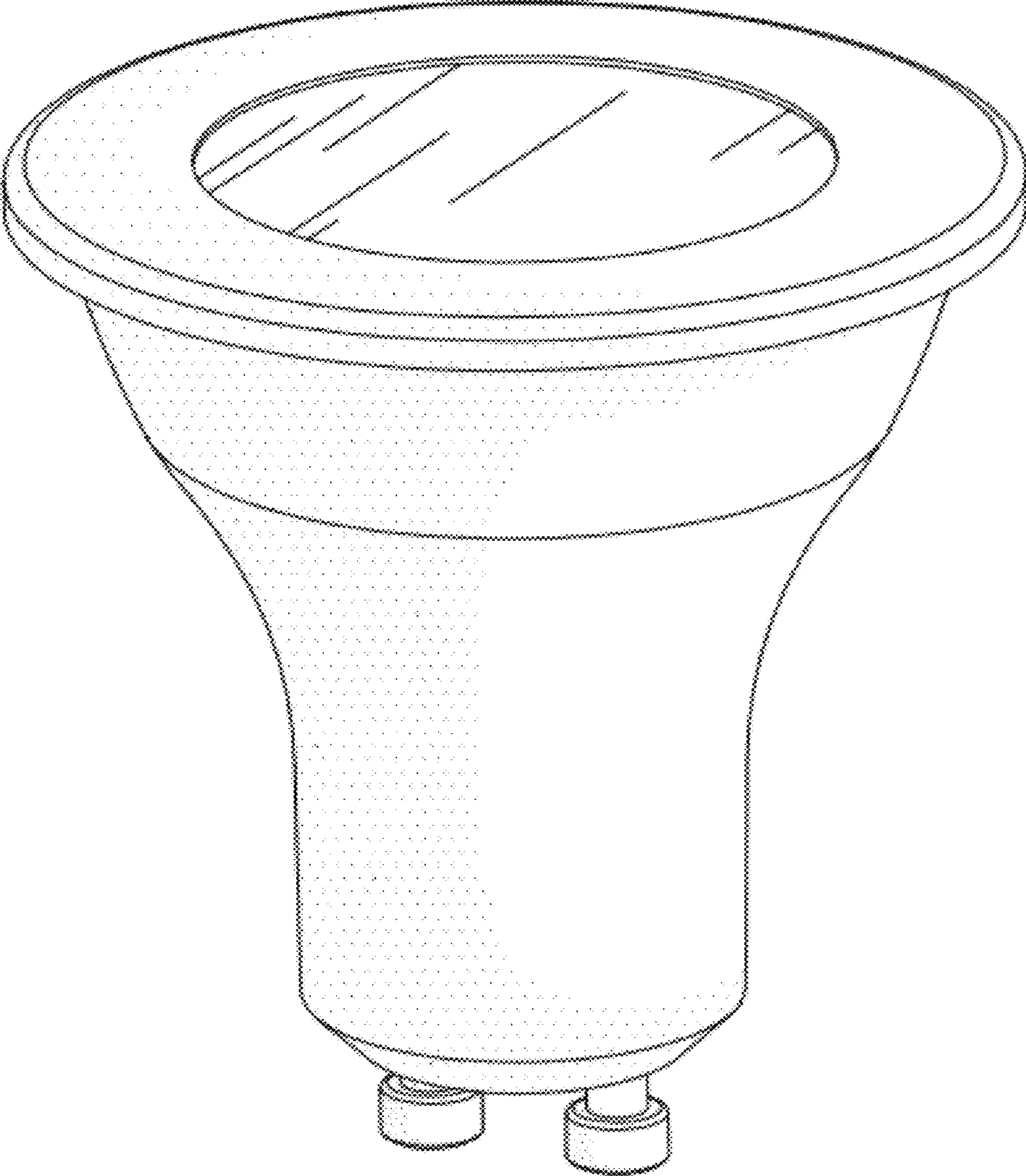


FIG. 1

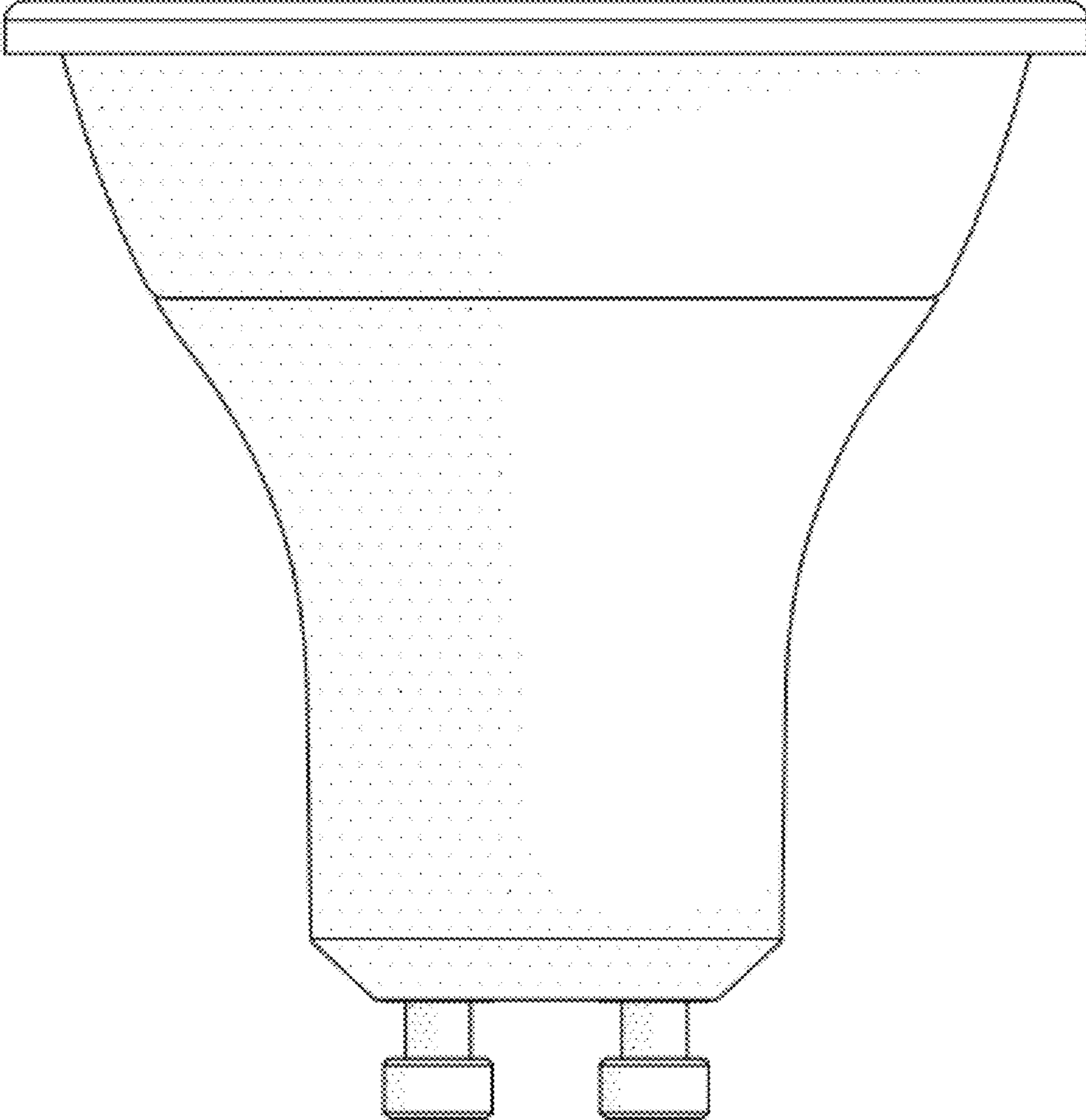


FIG.2

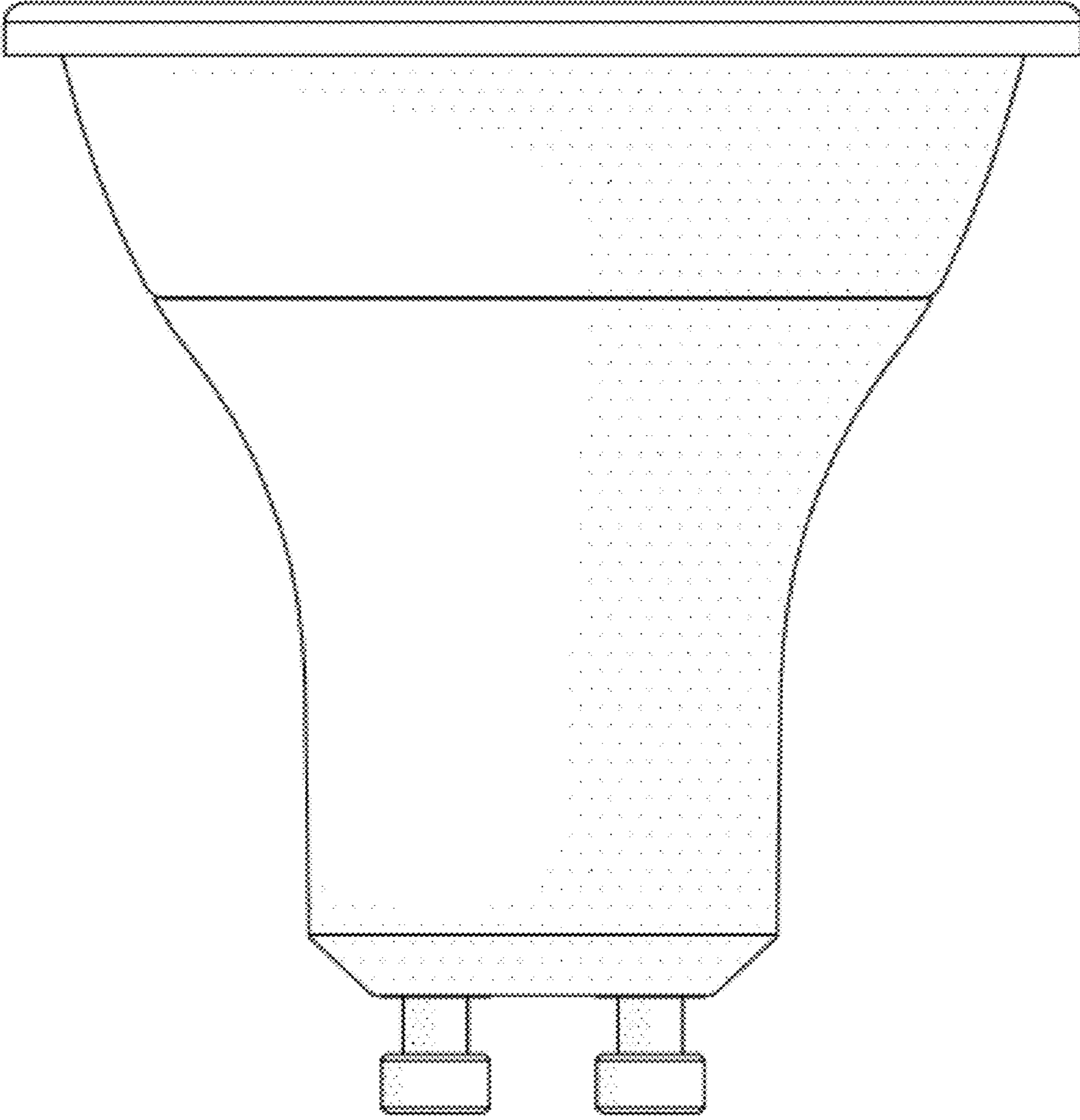


FIG.3

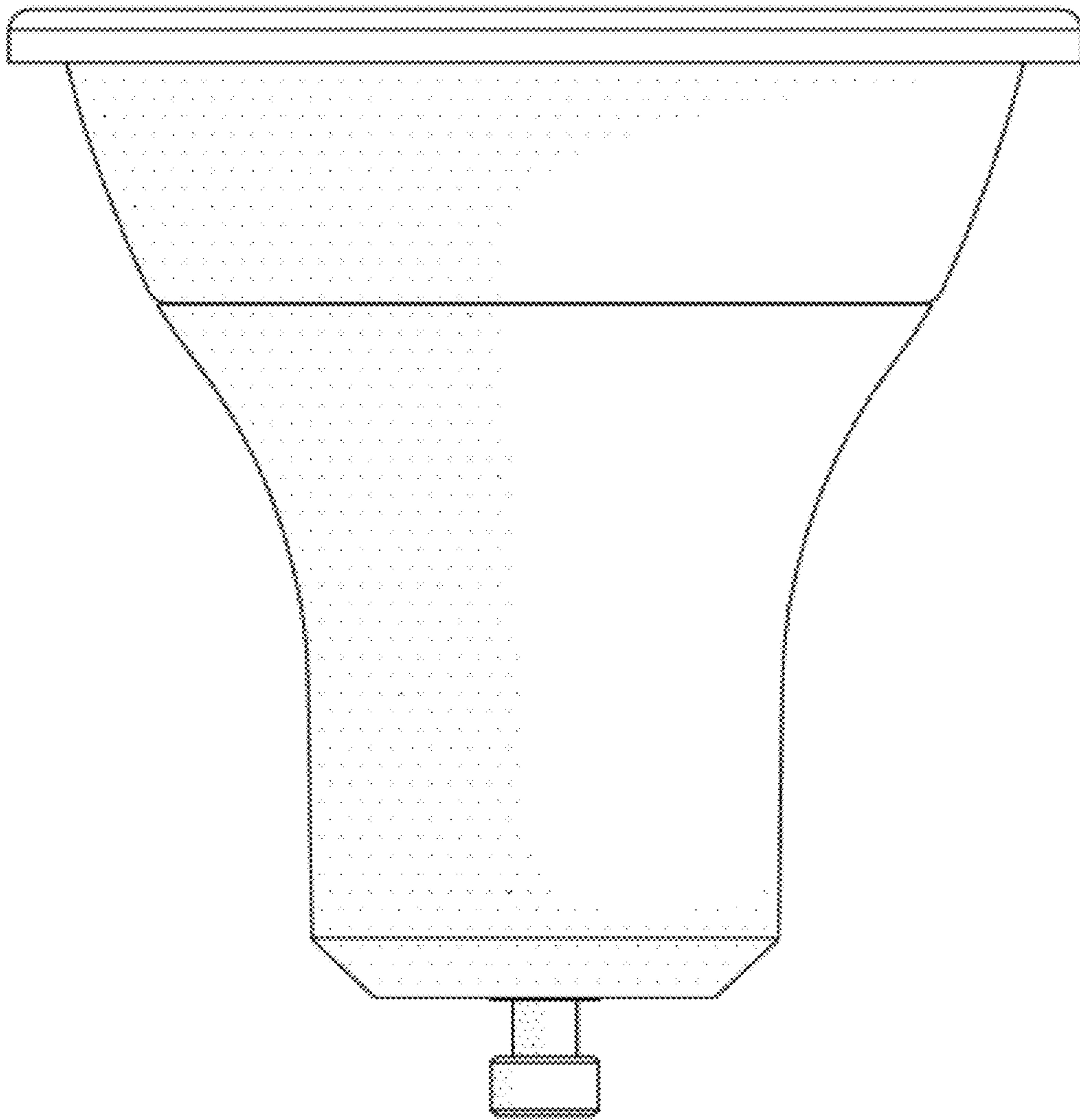


FIG. 4

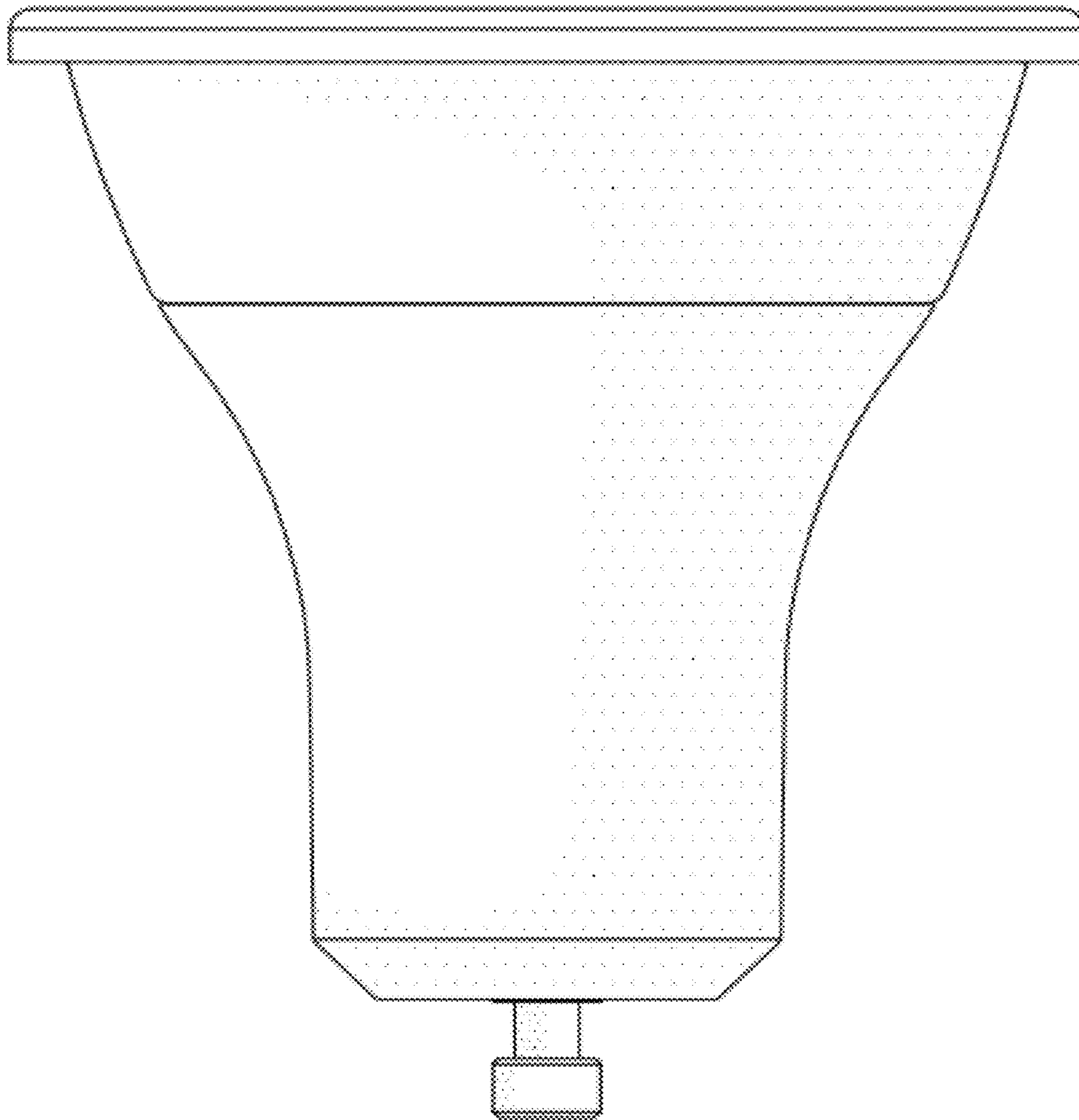


FIG.5

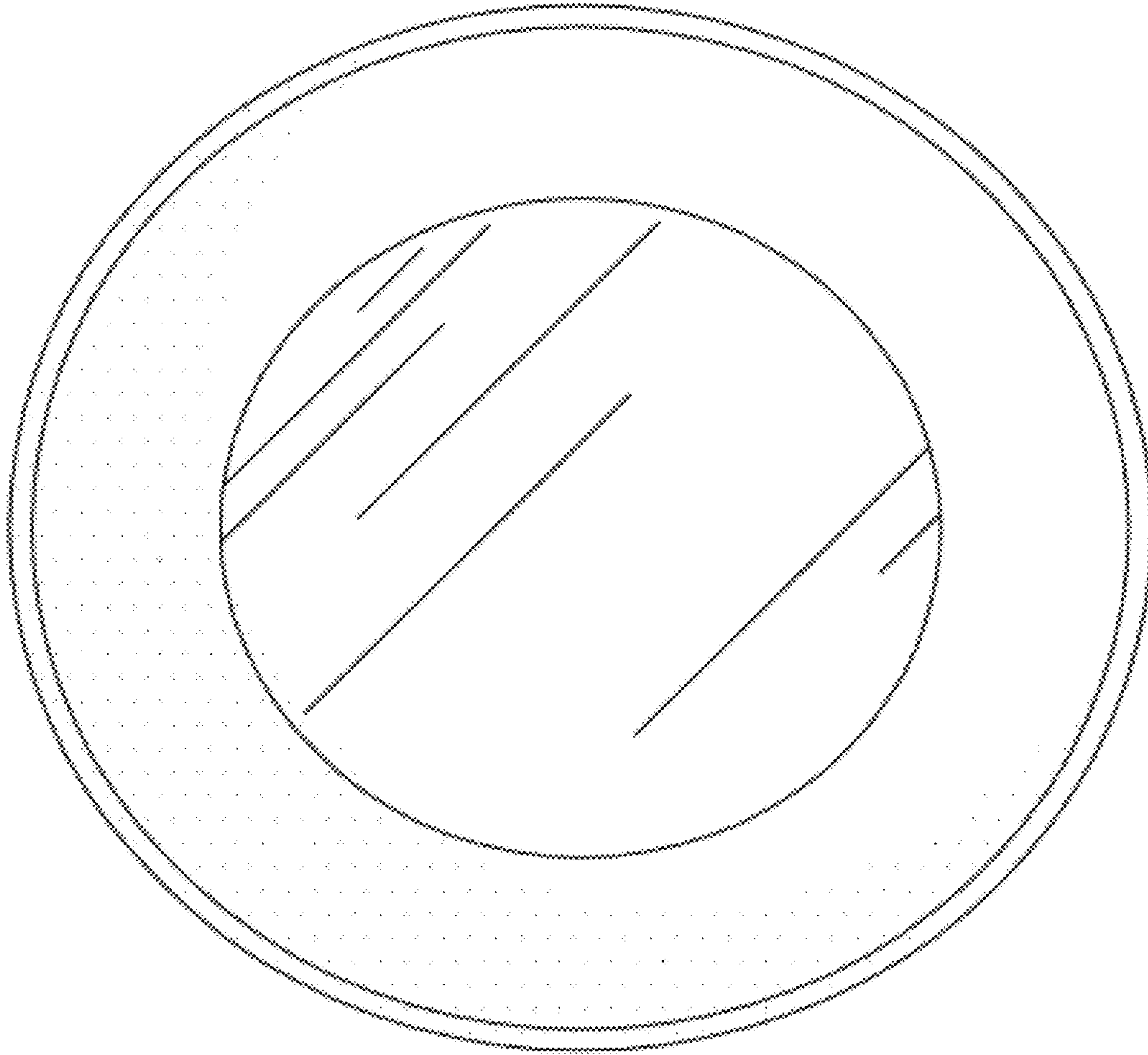


FIG. 6

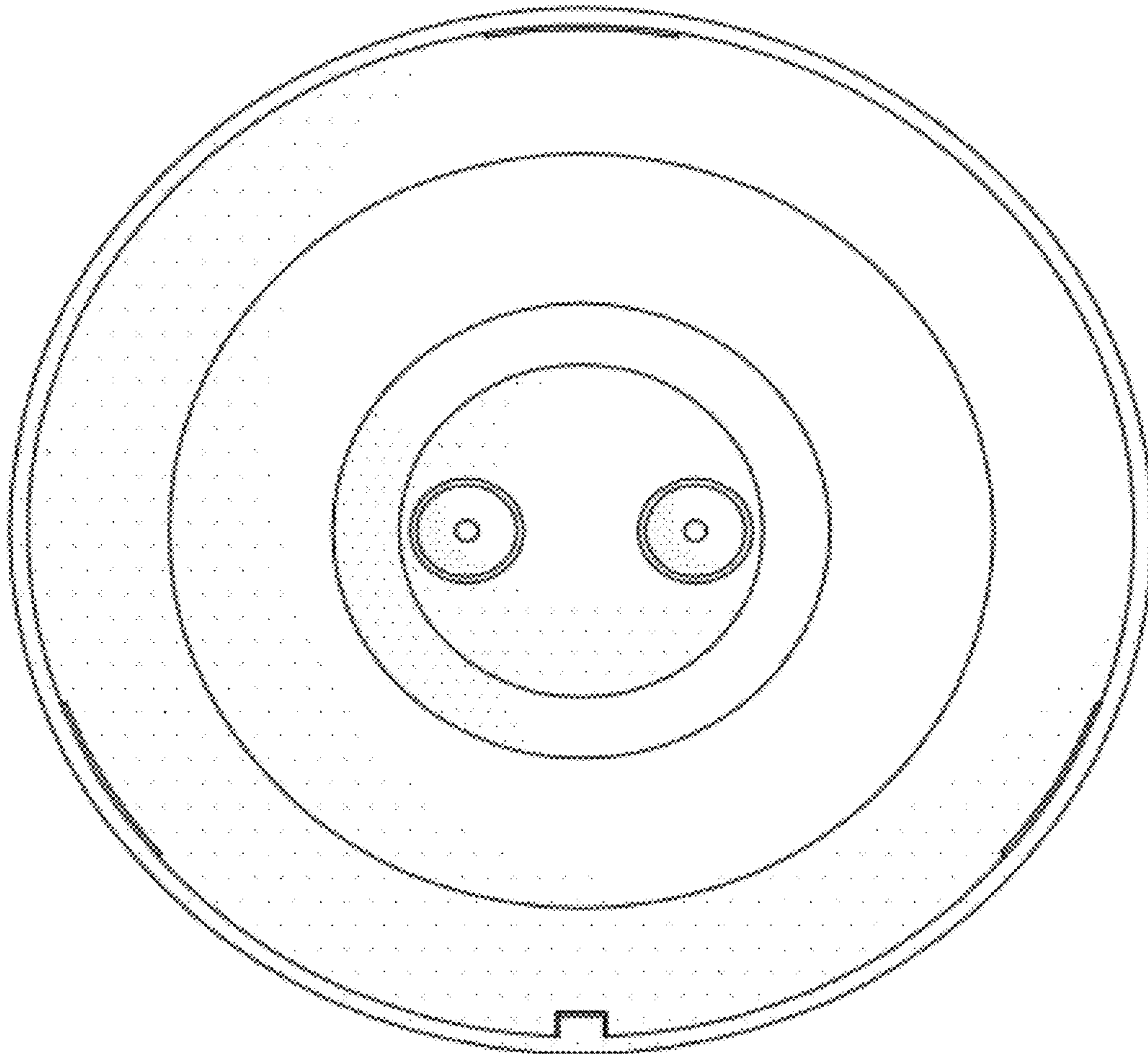


FIG. 7