



US00D673307S

(12) **United States Design Patent**  
**Moghal**

(10) **Patent No.:** **US D673,307 S**  
(45) **Date of Patent:** **\*\* Dec. 25, 2012**

(54) **LIGHT BAR**

(75) Inventor: **Khurram Zeshan Moghal**, Senoia, GA  
(US)

(73) Assignee: **Cooper Technologies Company**,  
Houston, TX (US)

(\*\*) Term: **14 Years**

(21) Appl. No.: **29/391,768**

(22) Filed: **May 12, 2011**

(51) **LOC (9) Cl.** ..... **26-04**

(52) **U.S. Cl.** ..... **D26/1**

(58) **Field of Classification Search** ..... D26/1-4;  
313/313, 315, 316, 317, 318, 493; 315/52,  
315/53, 56, 57, 58

See application file for complete search history.

(56) **References Cited**

**U.S. PATENT DOCUMENTS**

6,231,214	B1	5/2001	Haugaard	
6,986,593	B2	1/2006	Holder et al.	
7,001,047	B2	2/2006	Holder et al.	
7,083,304	B2	8/2006	Holder et al.	
7,114,832	B2	10/2006	Holder et al.	
7,172,319	B2	2/2007	Holder et al.	
7,246,917	B2	7/2007	Holder et al.	
D570,003	S *	5/2008	Uemoto et al.	D26/24
D571,938	S *	6/2008	Uemoto et al.	D26/24
D573,298	S	7/2008	Kinnune et al.	
D574,548	S	8/2008	Wilcox et al.	
D574,549	S	8/2008	Kinnune et al.	
D576,330	S	9/2008	Ruud et al.	
D576,331	S	9/2008	Ruud et al.	
D576,332	S	9/2008	Ruud et al.	
D577,847	S	9/2008	Ruud et al.	
7,427,167	B2	9/2008	Holder et al.	
7,438,447	B2	10/2008	Holder et al.	
D592,342	S	5/2009	Kinnune et al.	
D592,351	S	5/2009	Kinnune et al.	
D594,576	S *	6/2009	Chan et al.	D26/1
7,543,941	B2	6/2009	Holder et al.	

7,566,147	B2	7/2009	Wilcox et al.
7,581,855	B2	9/2009	Holder et al.
7,585,084	B2	9/2009	Kinnune et al.
7,591,570	B2	9/2009	Holder et al.
D603,077	S	10/2009	Kinnune et al.
7,618,163	B2	11/2009	Wilcox
7,637,630	B2	12/2009	Wilcox et al.
7,637,642	B2	12/2009	Kinnune et al.
7,674,018	B2	3/2010	Holder et al.
7,686,469	B2	3/2010	Ruud et al.
D617,935	S	6/2010	Miletich et al.

(Continued)

*Primary Examiner* — Marcus Jackson

(74) *Attorney, Agent, or Firm* — King & Spalding LLP

(57) **CLAIM**

The ornamental design for a light bar, as shown and described.

**DESCRIPTION**

FIG. 1 is a perspective view of a light bar, showing my new design;

FIG. 2 is a top plan view thereof;

FIG. 3 is a left-side elevation view thereof;

FIG. 4 is a right-side elevation view thereof;

FIG. 5 is a front elevation view thereof;

FIG. 6 is a rear elevation view thereof;

FIG. 7 is a bottom plan view thereof;

FIG. 8 is a perspective view of another new ornamental design for a light bar;

FIG. 9 is a top plan view of the light bar of FIG. 8;

FIG. 10 is a left-side elevation view of the light bar of FIG. 8;

FIG. 11 is a right-side elevation view of the light bar of FIG. 8;

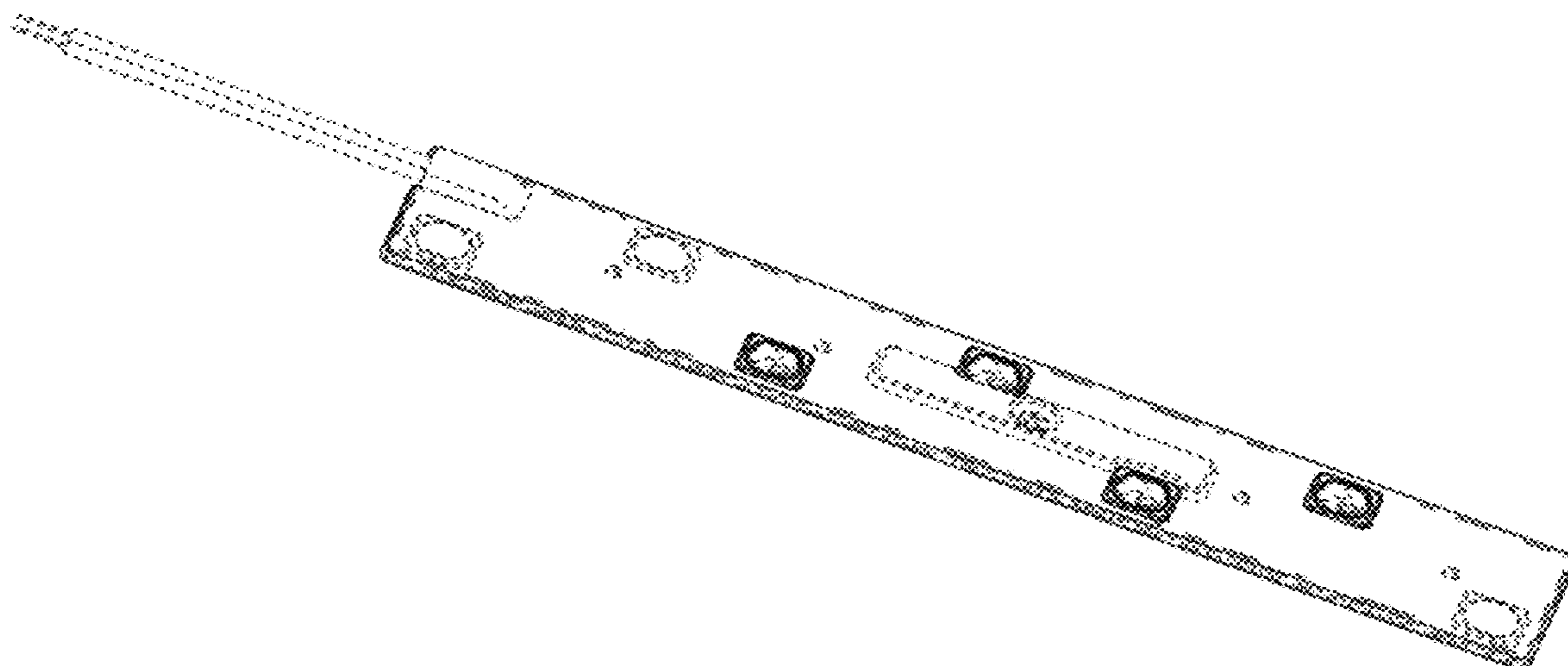
FIG. 12 is a front elevation view of the light bar of FIG. 8;

FIG. 13 is a rear elevation view of the light bar of FIG. 8; and,

FIG. 14 is a bottom plan view of the light bar of FIG. 8.

The broken lines shown represent unclaimed subject matter and form no part of the claimed design.

**1 Claim, 6 Drawing Sheets**



# US D673,307 S

Page 2

U.S. PATENT DOCUMENTS					
7,748,872	B2	7/2010	Holder et al.	2008/0239722	A1 10/2008 Wilcox
7,771,087	B2	8/2010	Wilcox et al.	2008/0272380	A1 11/2008 Wilcox
7,789,547	B2	9/2010	Holder et al.	2008/0273325	A1 11/2008 Wilcox et al.
7,798,670	B2	9/2010	Kinnune	2008/0273326	A1 11/2008 Wilcox et al.
7,841,734	B2	11/2010	Wilcox	2008/0273327	A1 11/2008 Wilcox et al.
7,841,750	B2	11/2010	Wilcox et al.	2009/0016052	A1 1/2009 Holder et al.
7,850,334	B2	12/2010	Holder et al.	2009/0086472	A1 4/2009 Kinnune
7,850,345	B2	12/2010	Holder et al.	2009/0086490	A1 4/2009 Kinnune et al.
7,854,536	B2	12/2010	Holder et al.	2009/0086491	A1 4/2009 Ruud et al.
7,891,835	B2	2/2011	Wilcox	2009/0251898	A1 10/2009 Kinnune et al.
D636,514	S	4/2011	Ruud et al.	2009/0262532	A1 10/2009 Wilcox et al.
D636,516	S	4/2011	Ruud et al.	2009/0298376	A1 12/2009 Guillien et al.
D638,566	S	5/2011	Goelz et al.	2010/0014290	A1 1/2010 Wilcox
7,938,558	B2	5/2011	Wilcox et al.	2010/0027271	A1 2/2010 Wilcox et al.
7,942,559	B2	5/2011	Holder et al.	2010/0134046	A1 6/2010 Holder et al.
7,942,560	B2	5/2011	Holder et al.	2010/0149809	A1 6/2010 Ruud et al.
7,952,262	B2	5/2011	Wilcox et al.	2010/0165625	A1 7/2010 Holder et al.
D665,105	S *	8/2012	Betsuda et al. .... D26/1	2010/0172135	A1 7/2010 Holder et al.
D665,518	S *	8/2012	Takahashi et al. .... D26/1	2010/0238669	A1 9/2010 Holder et al.
2004/0155565	A1	8/2004	Holder et al.	2010/0271708	A1 10/2010 Wilcox
2006/0061989	A1	3/2006	Holder et al.	2010/0302786	A1 12/2010 Wilcox et al.
2008/0078524	A1	4/2008	Wilcox et al.	2011/0103051	A1 5/2011 Wilcox et al.
2008/0080162	A1	4/2008	Wilcox et al.	2011/0115360	A1 5/2011 Holder et al.
2008/0080196	A1	4/2008	Ruud et al.		

\* cited by examiner

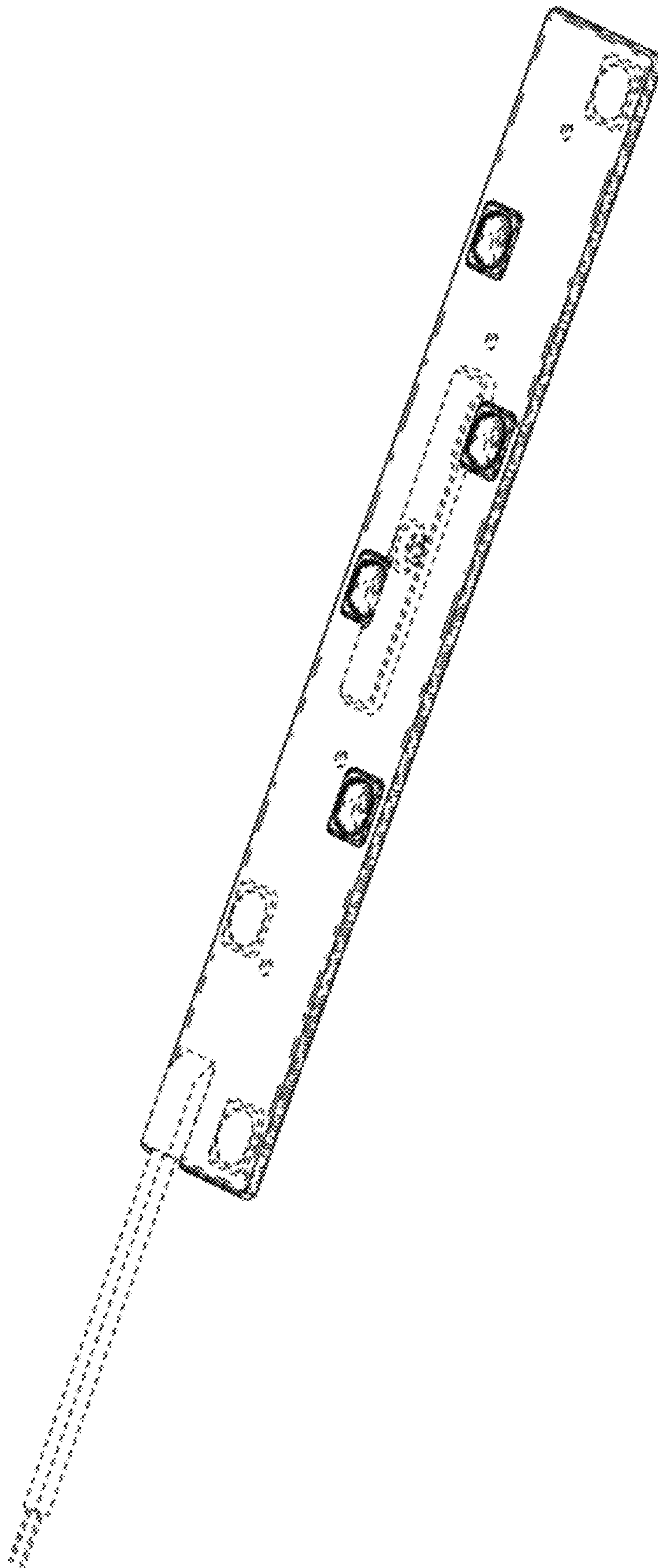


FIG. 1

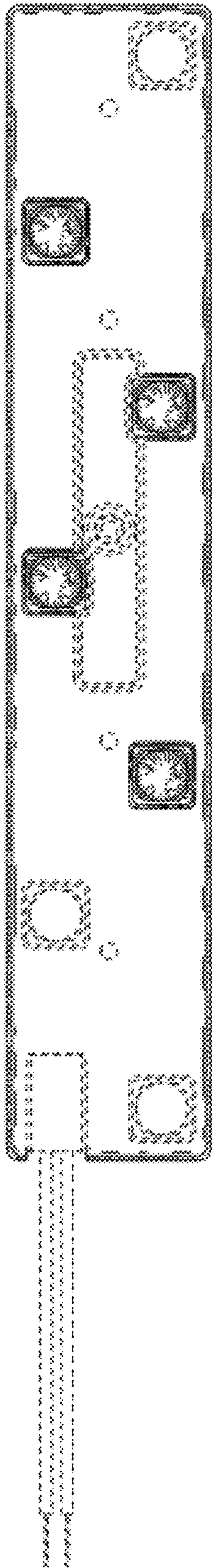


FIG. 2



FIG. 3



FIG. 4

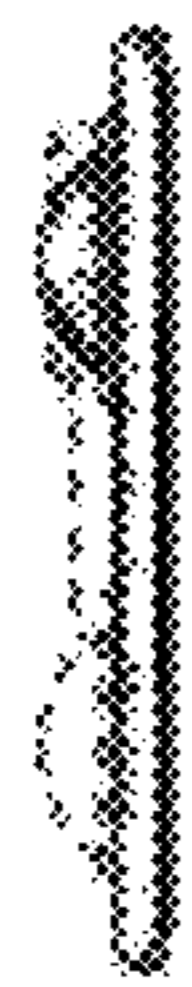


FIG. 5



FIG. 6

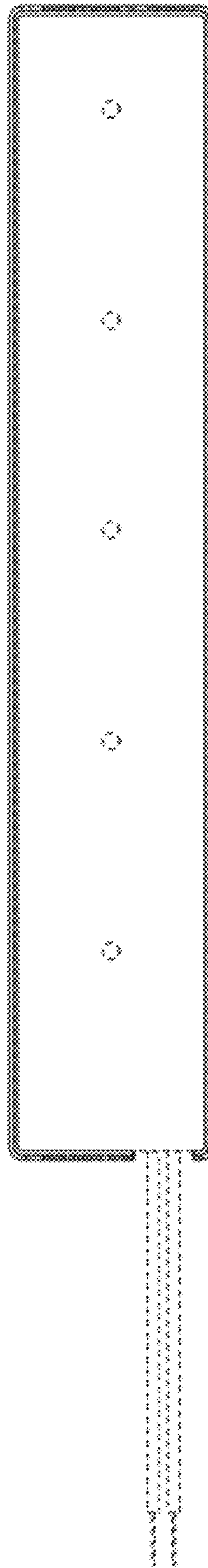


FIG. 7

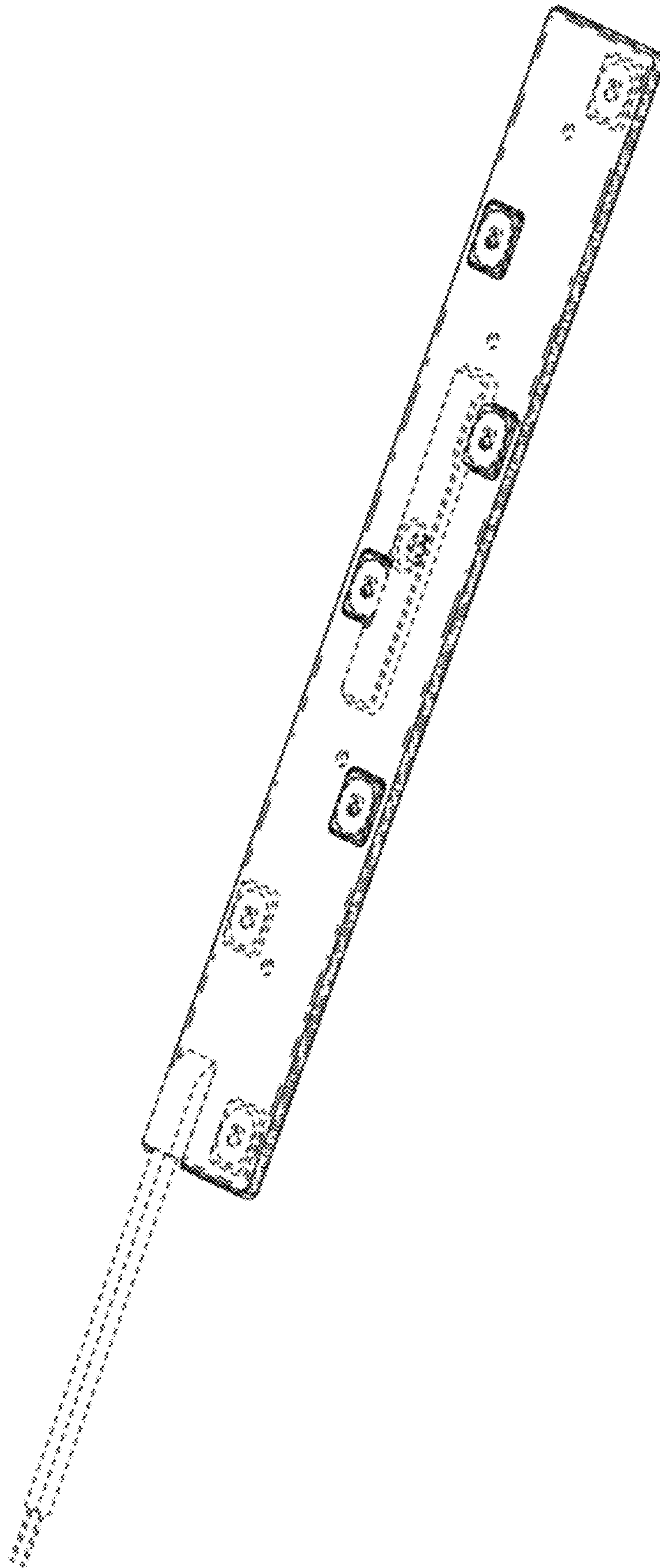


FIG. 8

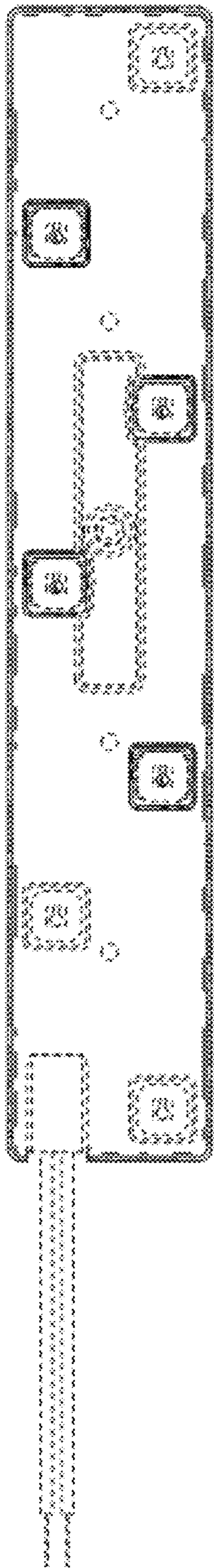


FIG. 9



FIG. 10



FIG. 11

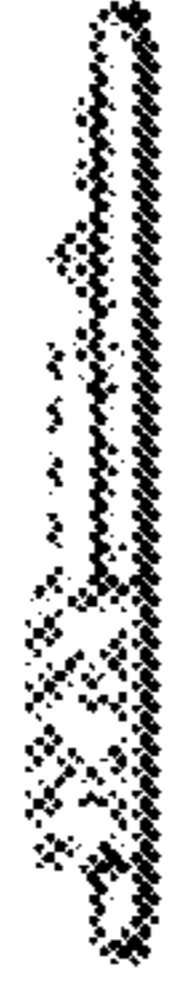


FIG. 12

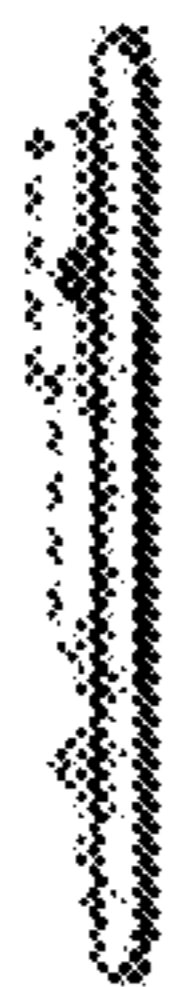


FIG. 13

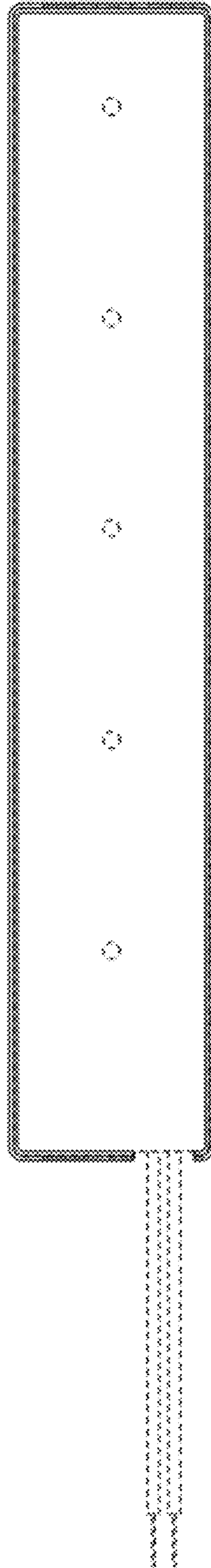


FIG. 14