



US00D673306S

(12) **United States Design Patent**
Chung

(10) **Patent No.:** **US D673,306 S**

(45) **Date of Patent:** **** Dec. 25, 2012**

(54) **BASE FASTENER FOR A BALUSTER**

Primary Examiner — Robert Delehanty

(76) Inventor: **Min-Ju Chung**, Taichung (TW)

(74) *Attorney, Agent, or Firm* — Whyte Hirschboeck Dudek SC

(**) Term: **14 Years**

(21) Appl. No.: **29/393,242**

(22) Filed: **Jun. 1, 2011**

(57) **CLAIM**

(51) **LOC (9) Cl.** **25-01**

The ornamental design for base fastener for a baluster, as shown and described.

(52) **U.S. Cl.** **D25/133; D25/38.1**

(58) **Field of Classification Search** D25/38.1,
D25/39, 42, 43, 44, 48.5, 126, 133; 256/22,
256/34, 73, 27, 31, 65.14; 52/153

See application file for complete search history.

DESCRIPTION

(56) **References Cited**

FIG. 1 is a perspective view of base fastener for a baluster showing my new design;

U.S. PATENT DOCUMENTS

FIG. 2 is a front elevational view thereof;

D26,363 S * 12/1896 Thomas D25/126

FIG. 3 is a rear elevational view thereof;

5,364,076 A * 11/1994 Nicholls 256/24

FIG. 4 is a left side elevational view thereof;

D599,915 S * 9/2009 Godwin D25/133

FIG. 5 is a right side elevational view thereof; and,

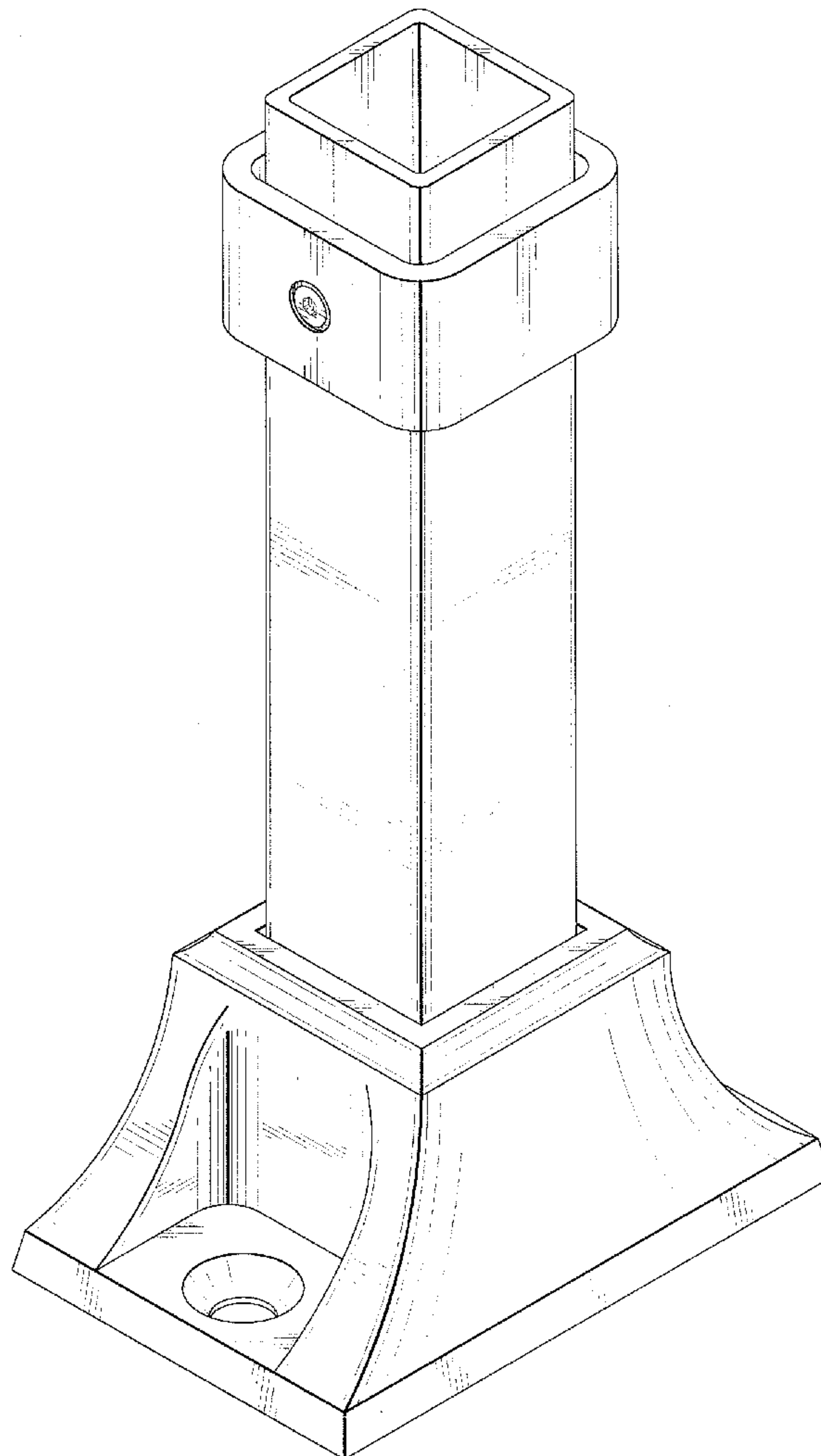
D610,718 S * 2/2010 Ringus et al. D25/133

FIG. 6 is a bottom plan view thereof.

8,033,530 B2 * 10/2011 Timothy 256/22

* cited by examiner

1 Claim, 6 Drawing Sheets



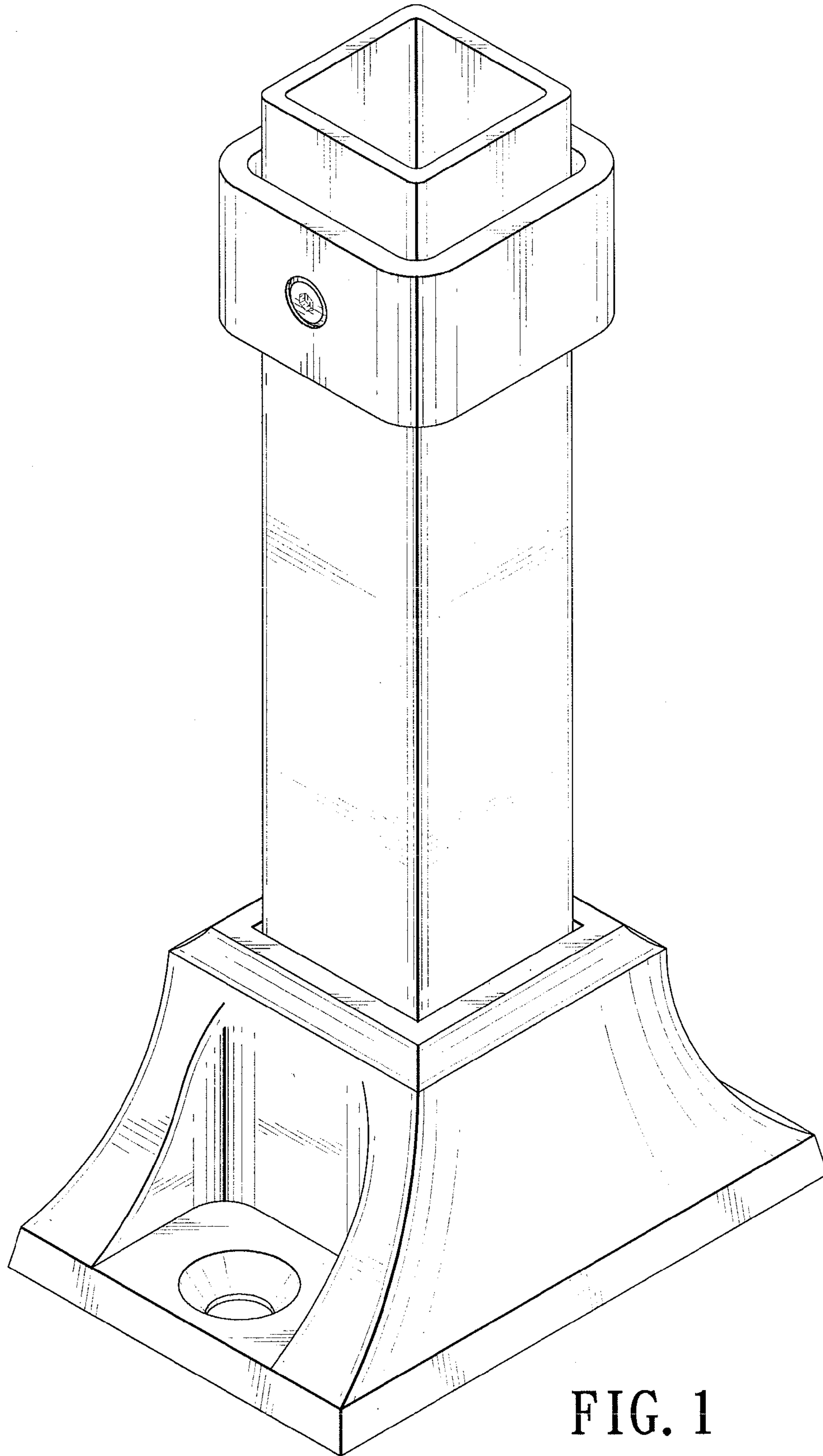


FIG. 1

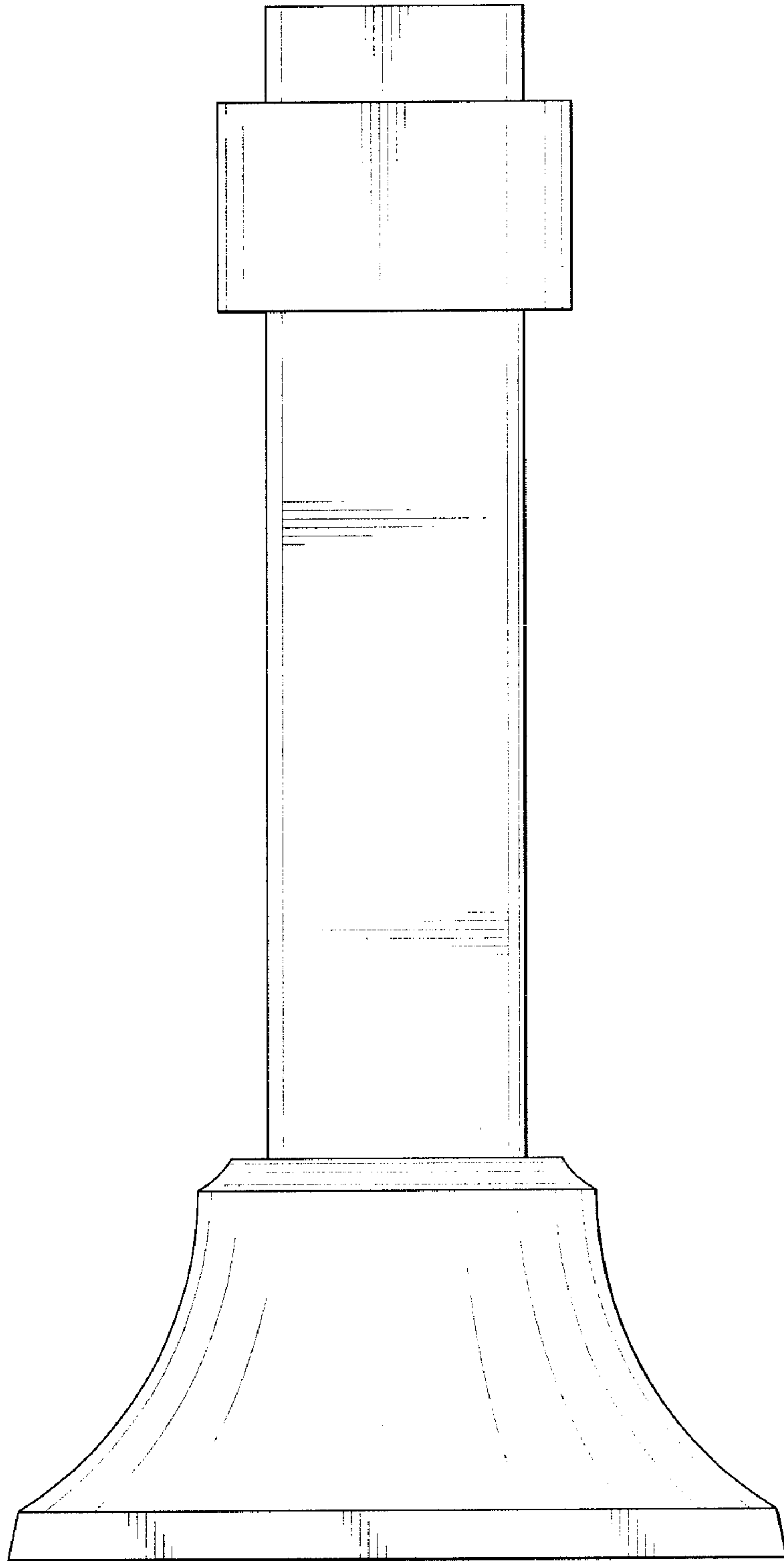


FIG. 2

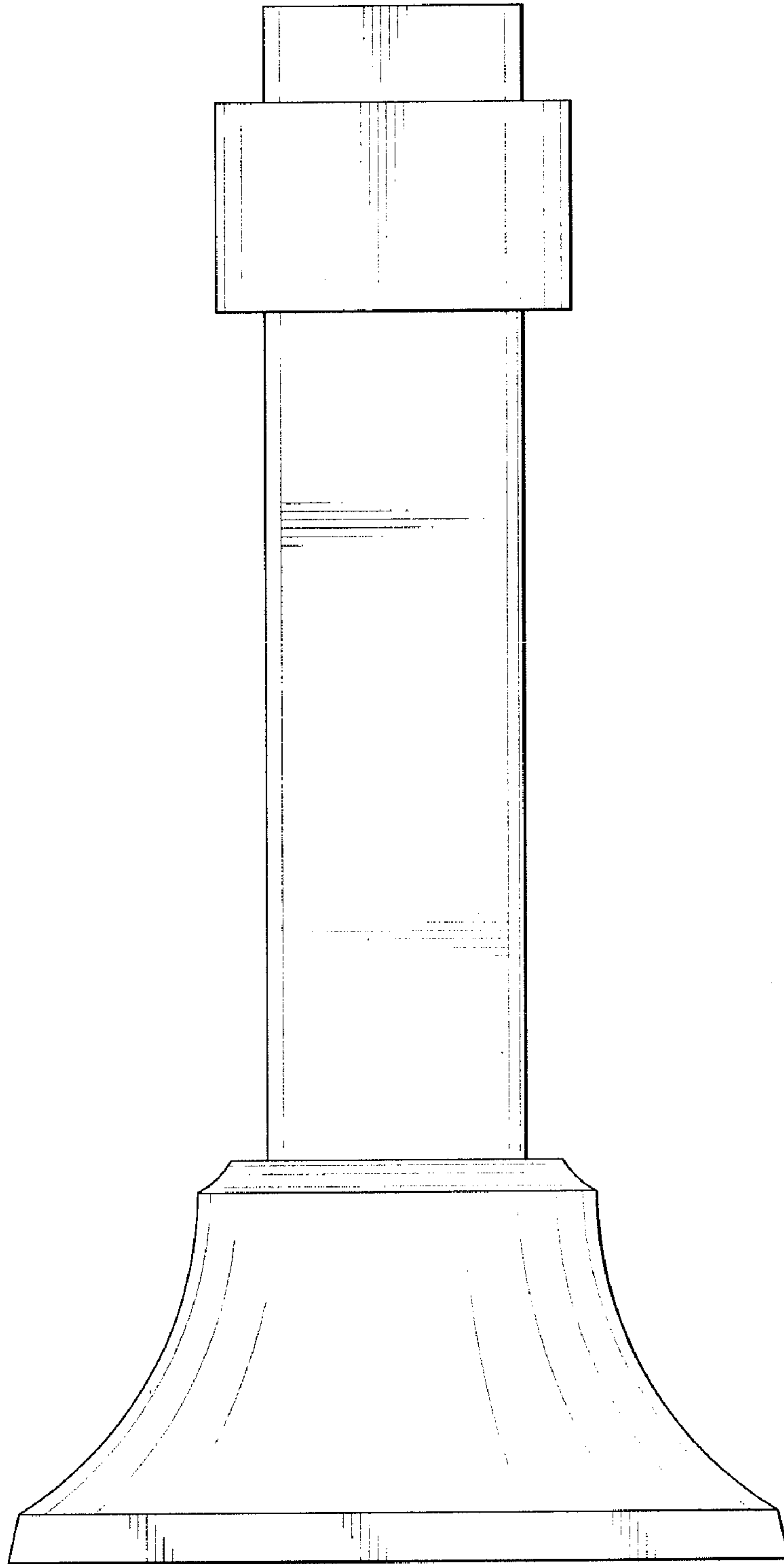


FIG. 3

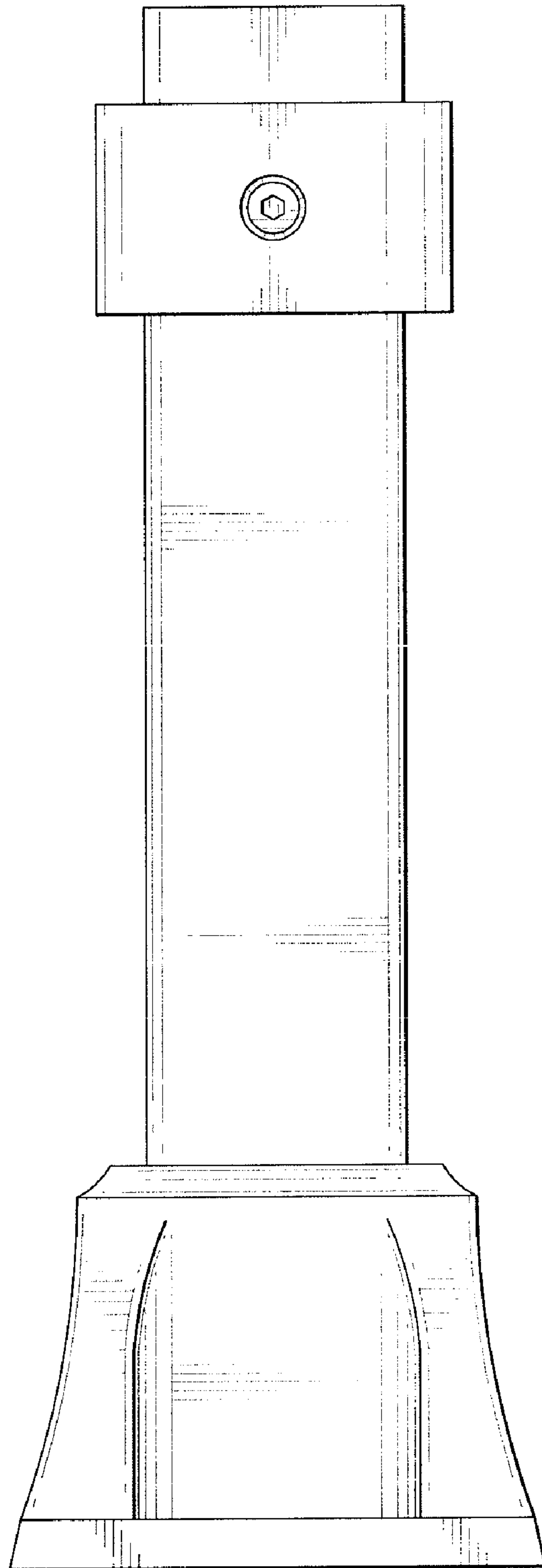


FIG. 4

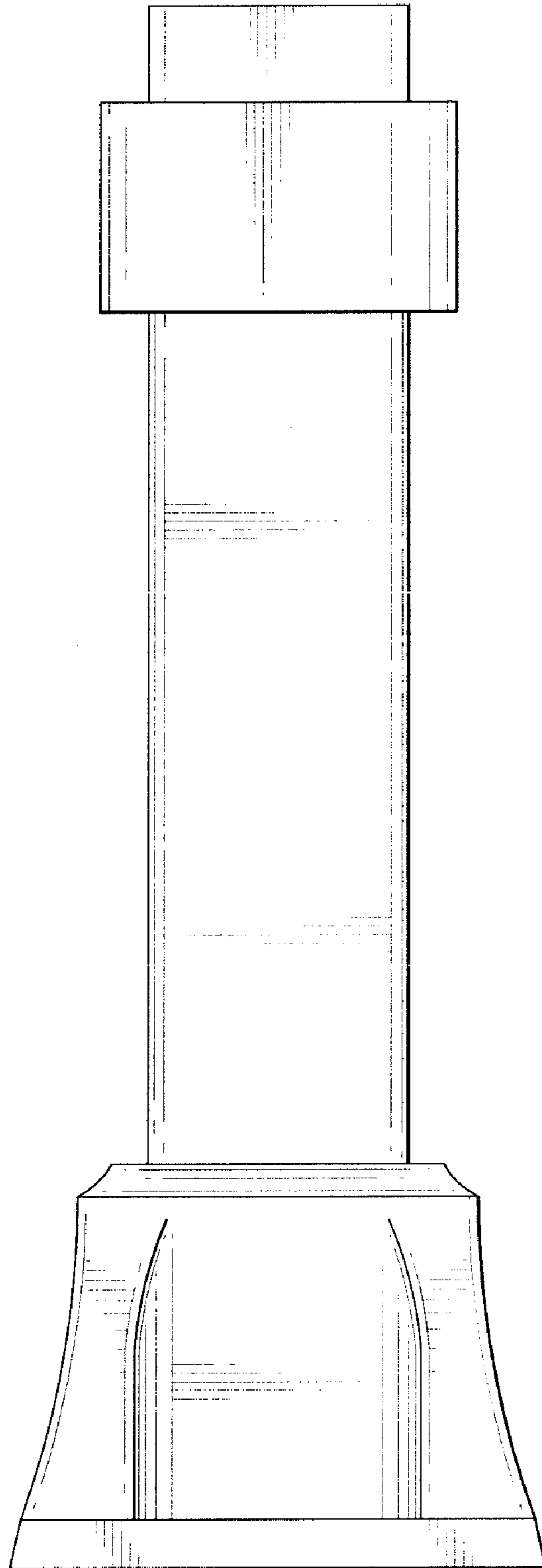


FIG. 5

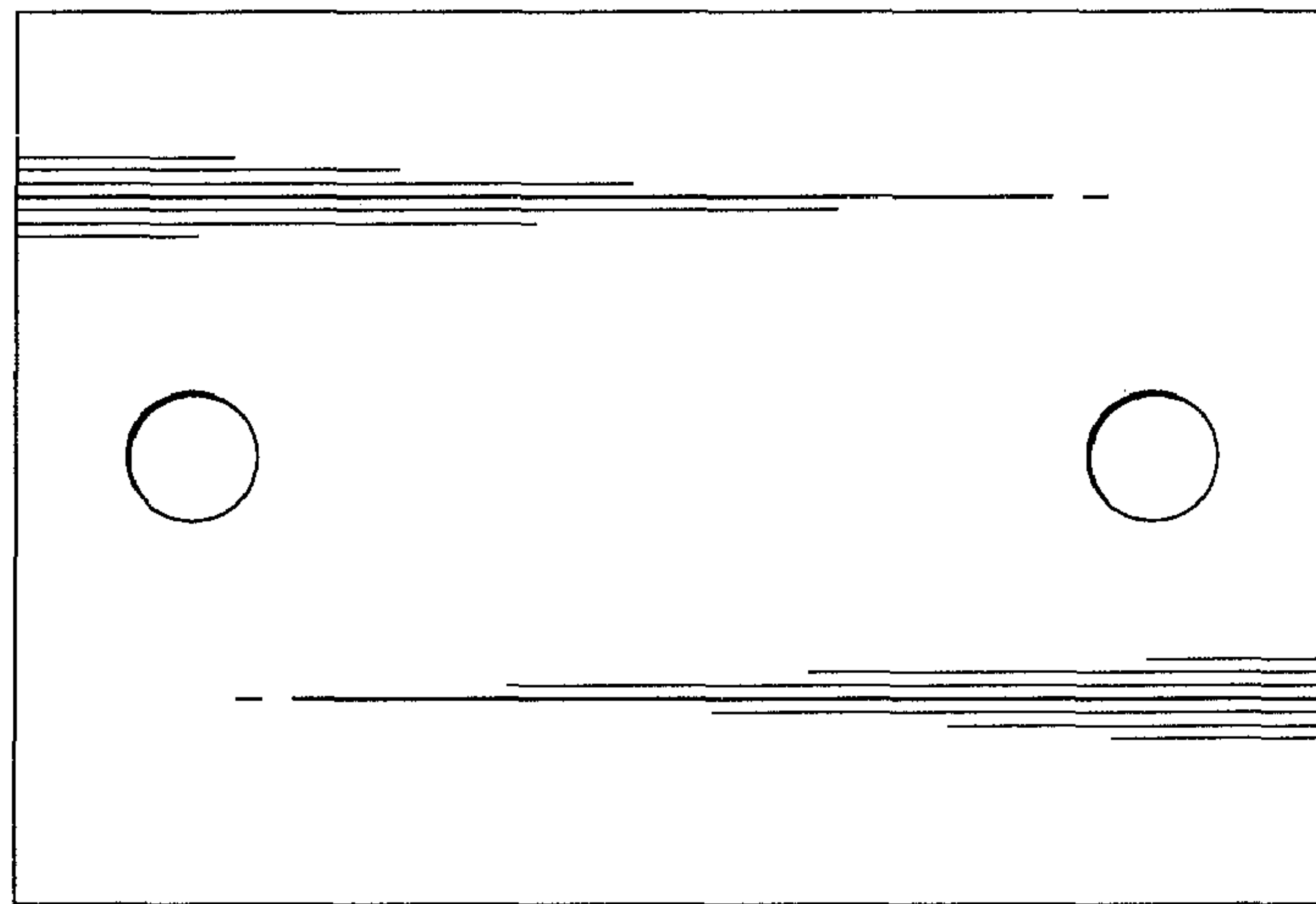


FIG. 6