

US00D673301S

(12) **United States Design Patent**  
**D’Avela**

(10) **Patent No.:** **US D673,301 S**  
(45) **Date of Patent:** **\*\* Dec. 25, 2012**

(54) **MASONRY BLOCK**

(75) Inventor: **Canan D’Avela**, Yuma, AZ (US)

(73) Assignee: **Concrete Products Group LLC**, North Hamel, MN (US)

(\*\*) Term: **14 Years**

(21) Appl. No.: **29/408,054**

(22) Filed: **Dec. 6, 2011**

(51) **LOC (9) Cl.** ..... **25-01**

(52) **U.S. Cl.** ..... **D25/114**

(58) **Field of Classification Search** ..... D25/102–118,  
D25/138, 152, 157–162, 164; D21/484–491,  
D21/499–504; 405/16, 284, 286; 52/503–505,  
52/574, 575, 596–612; 404/27–42  
See application file for complete search history.

(56) **References Cited**

**U.S. PATENT DOCUMENTS**

1,367,786	A *	2/1921	Lund	.....	52/611
5,115,614	A	5/1992	McGrath		
D340,775	S *	10/1993	Sauve	.....	D25/118
D377,397	S *	1/1997	Craig	.....	D25/118
6,295,772	B1 *	10/2001	Whitson	.....	D25/118
D467,009	S *	12/2002	Agee	.....	D25/113
D633,630	S *	3/2011	Jacot et al.	.....	D25/118

**OTHER PUBLICATIONS**

“Integral Flashing System” (publicly available before Dec. 6, 2011), 4 pages.  
“A Simple Solution to Through-Wall Flashing” (publicly available before Dec. 6, 2011), 2 pages.  
“Flashing Strategies for Concrete Masonry Walls,” TEK 19-4A (2008), 4 pages.  
“Flashing Details for Concrete Masonry Walls,” TEK 19-5A (2008), 6 pages.

“Characteristics of Concrete Masonry Units with Integral Water Repellent,” TEK 19-7 (2008), 6 pages.  
“Precision Block,” RCP Block & Brick (publicly available before Dec. 6, 2011), 4 pages.  
“Design for Dry Single-Wythe Concrete Masonry Walls,” TEK 19-2A (2008), 4 pages.  
“Concrete Masonry Units Size and Shape Guide” (publicly available before Dec. 6, 2011), 8 pages.  
“ASTM Specifications for Concrete Masonry Units,” TEK 1-1E (2007), 4 pages.  
“Concrete Block Sizes and Shapes,” Allied Concrete Co. (publicly available before Dec. 6, 2011), 12 pages.

(Continued)

*Primary Examiner* — Anhdao Doan

(74) *Attorney, Agent, or Firm* — Fish & Richardson P.C.

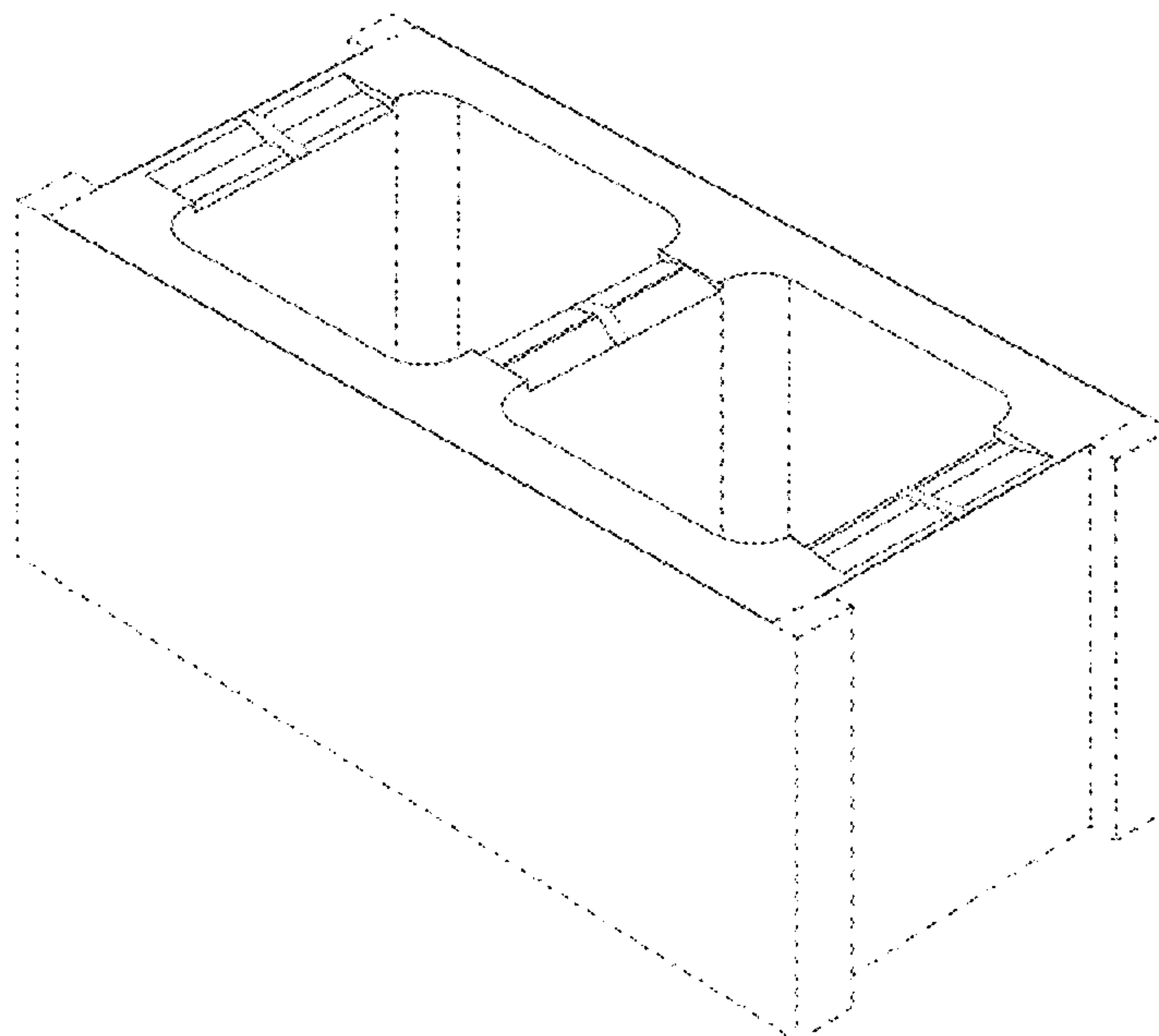
(57) **CLAIM**

The ornamental design for a masonry block, substantially as shown and described.

**DESCRIPTION**

FIG. 1 is a perspective view of a masonry block.  
FIG. 2 is a top view of the masonry block of FIG. 1.  
FIG. 3 is a left view of the masonry block of FIG. 1.  
FIG. 4 is a right view of the masonry block of FIG. 1.  
FIG. 5 is a front view of the masonry block of FIG. 1.  
FIG. 6 is a rear view of the masonry block of FIG. 1; and,  
FIG. 7 is a bottom view of the masonry block of FIG. 1.  
The broken lines immediately adjacent the claimed areas represent the bounds of the claim, and all other broken lines in the drawing views are included for the purpose of illustrating portions of the masonry block that form no part of the claimed design. None of the broken lines form a part of the claimed design.

**1 Claim, 7 Drawing Sheets**



OTHER PUBLICATIONS

“Shapes & Sizes Directory,” Superlite Block (publicly available before Dec. 6, 2011), 72 pages.

“Quik>Brik Brochure” (2007), 2 pages.

\* cited by examiner

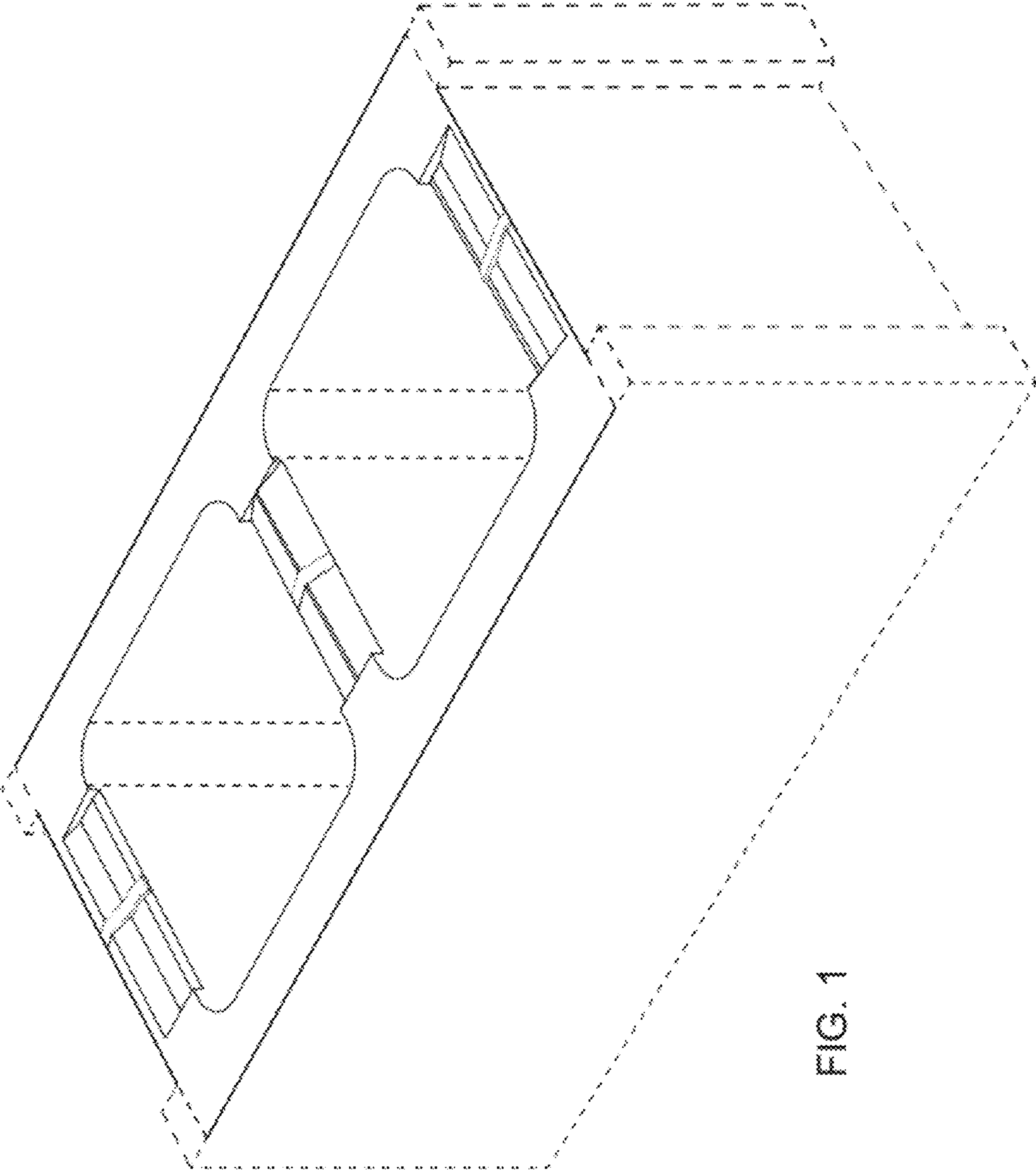


FIG. 1

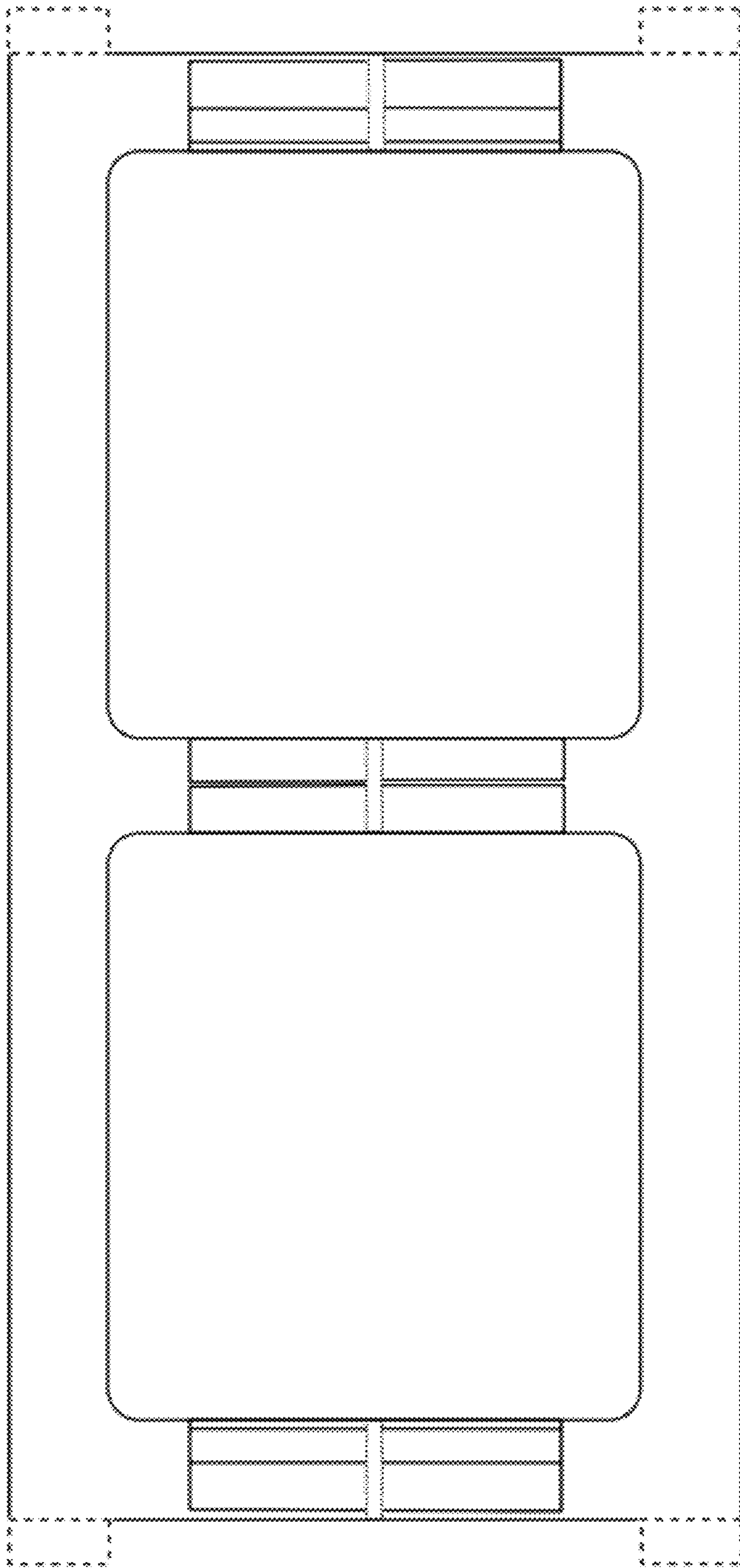


FIG. 2

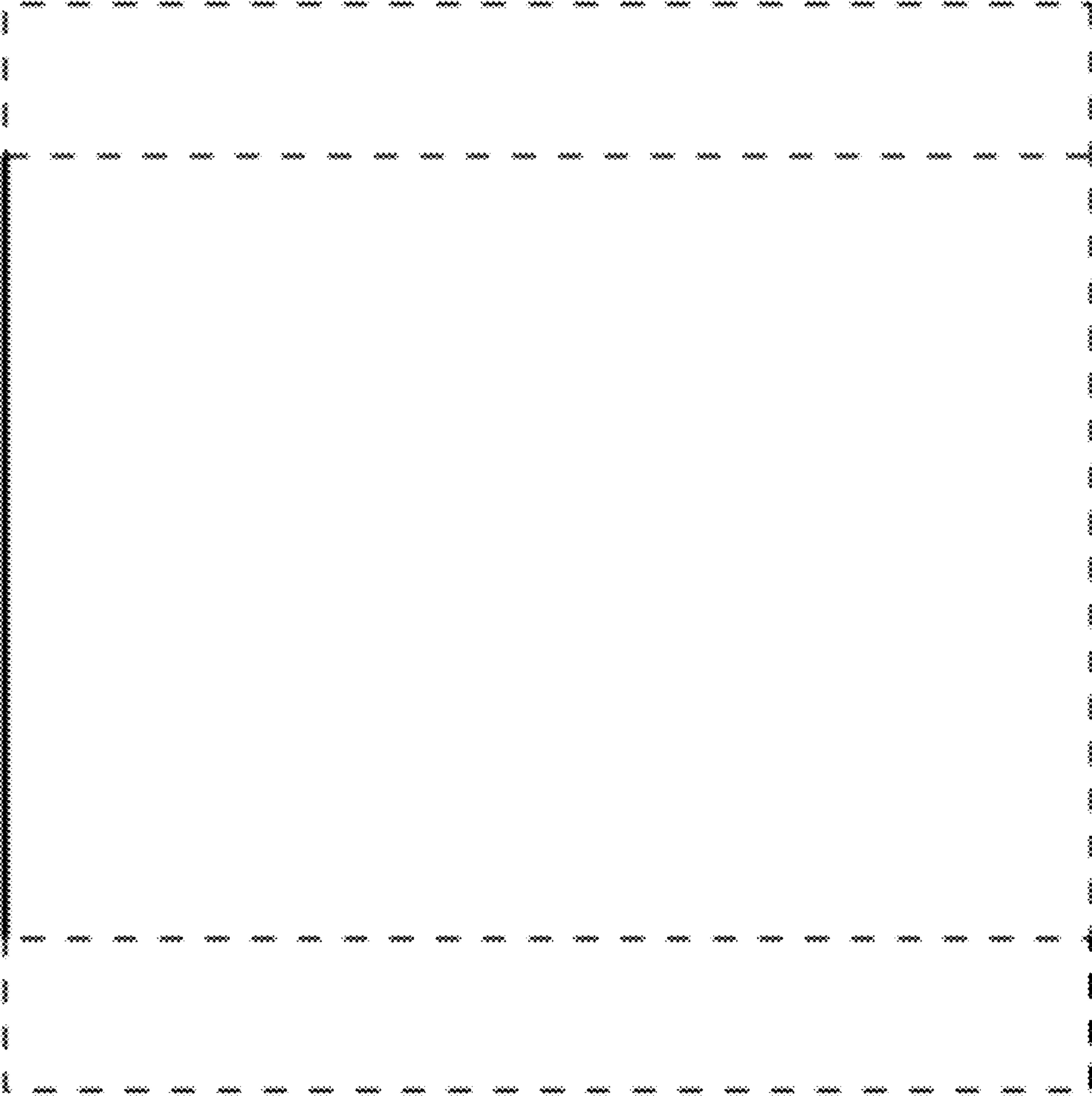


FIG. 3

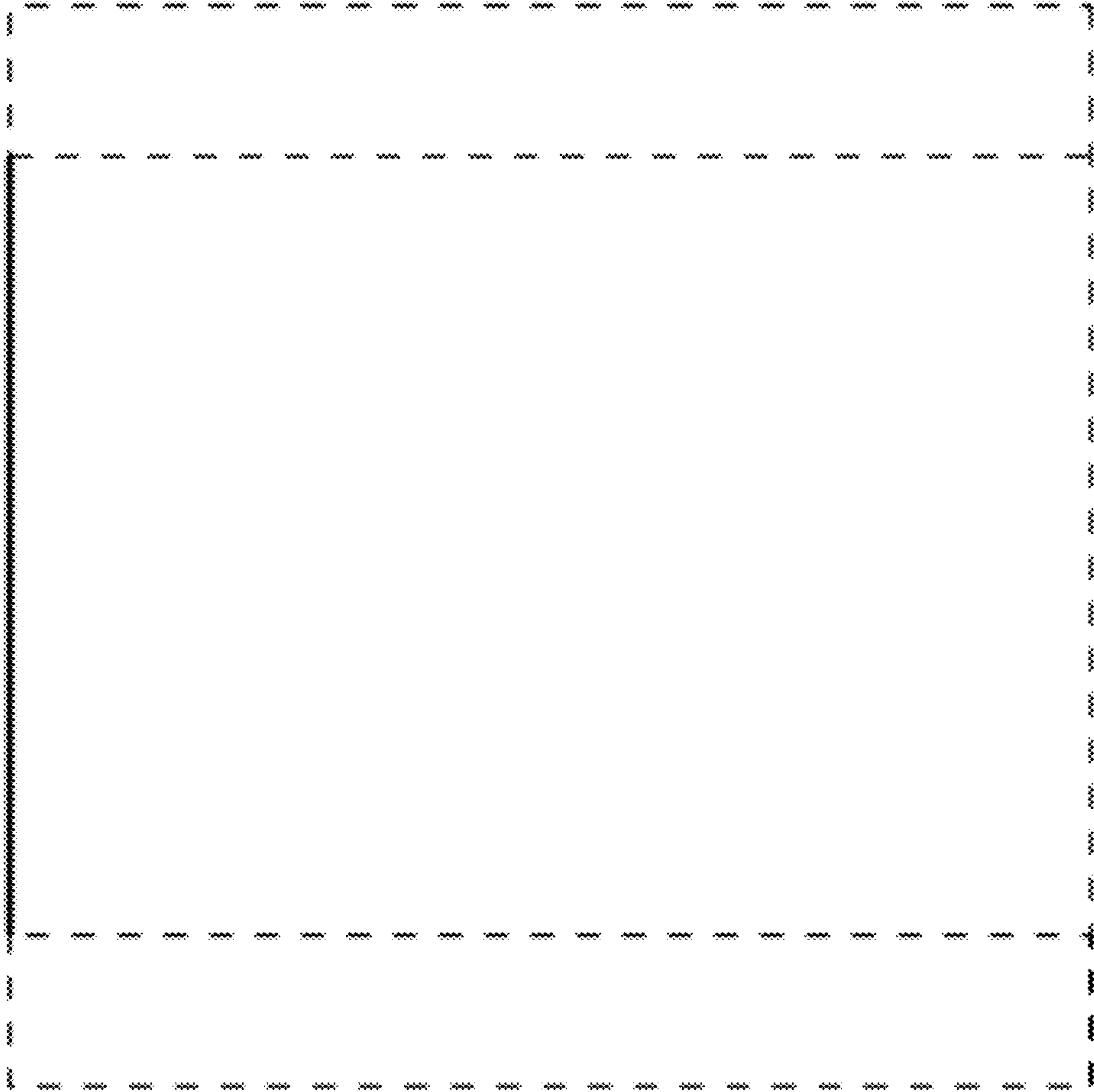


FIG. 4



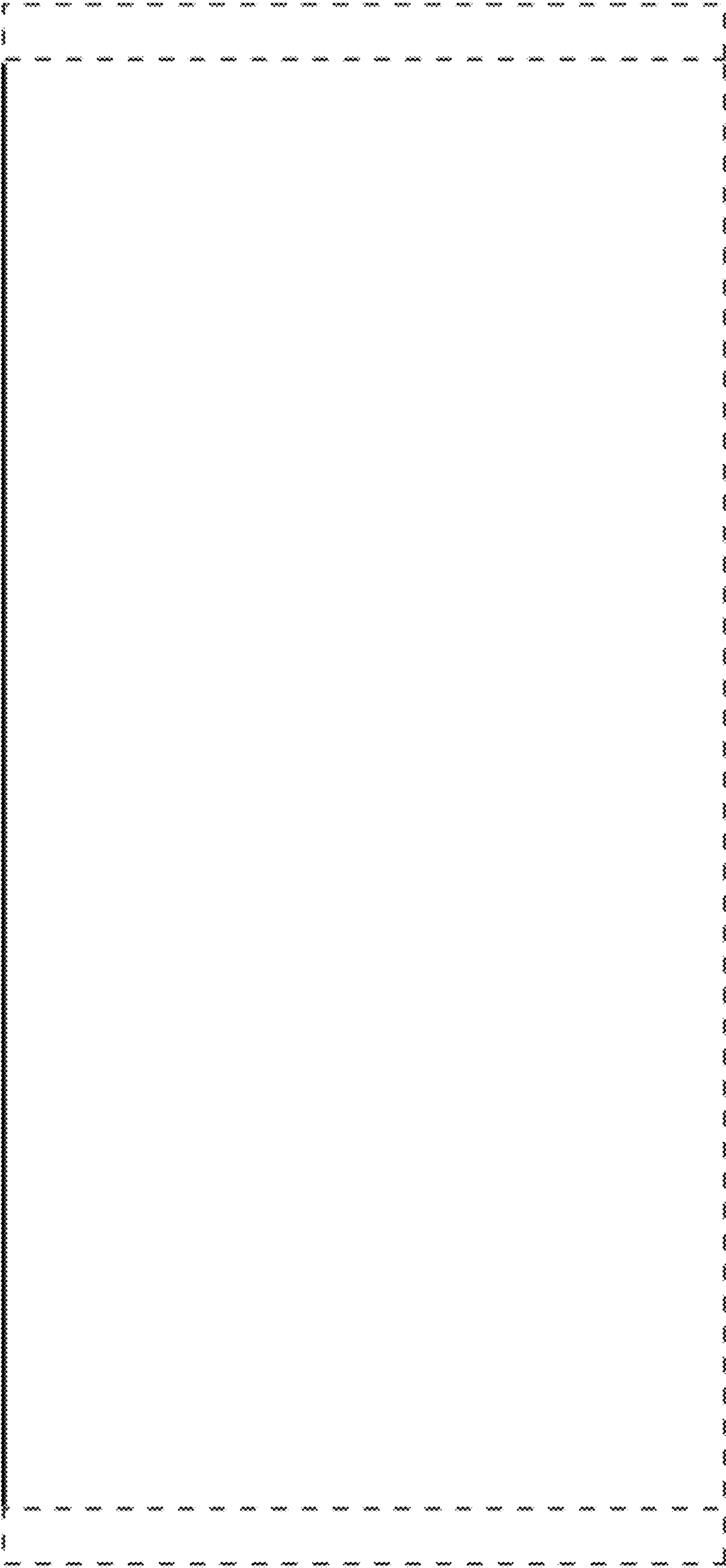


FIG. 5

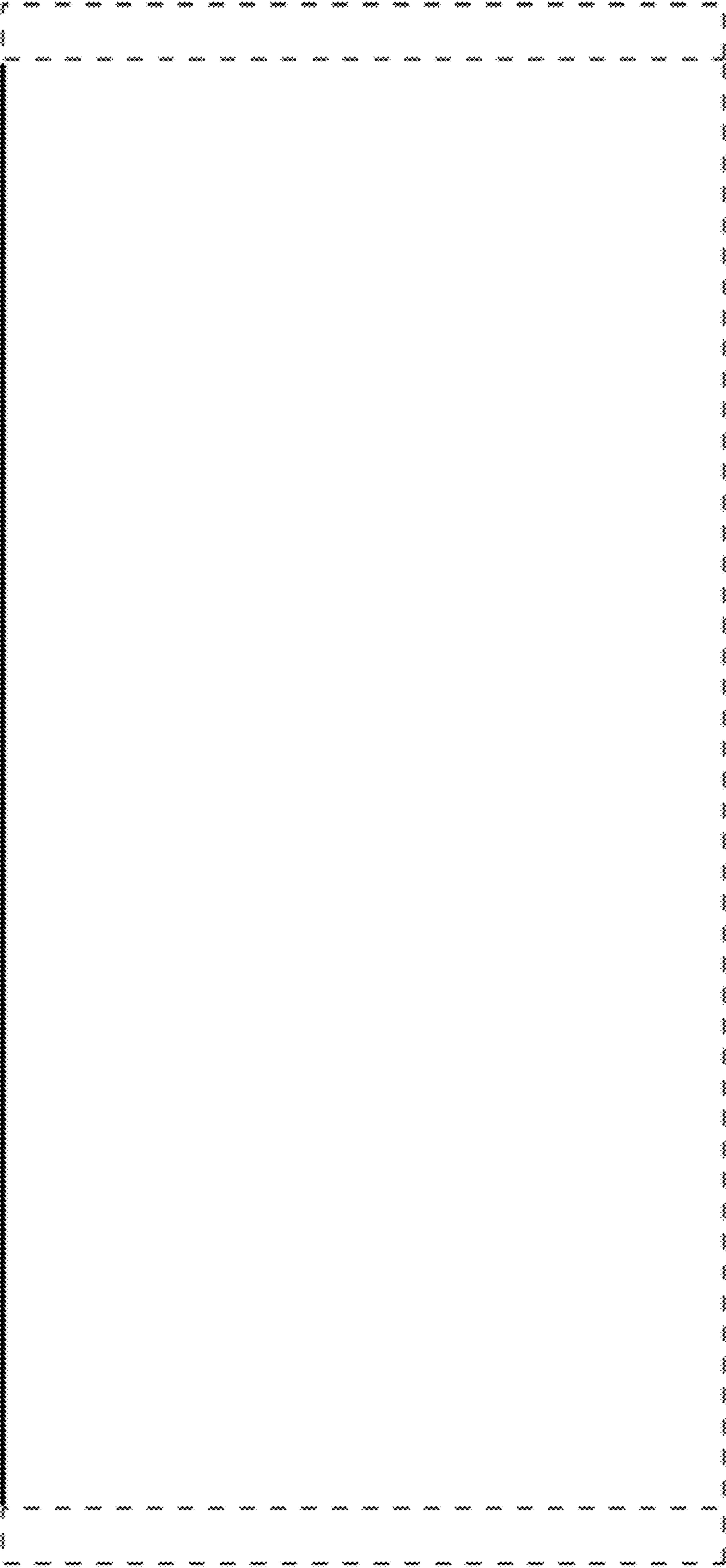


FIG. 6



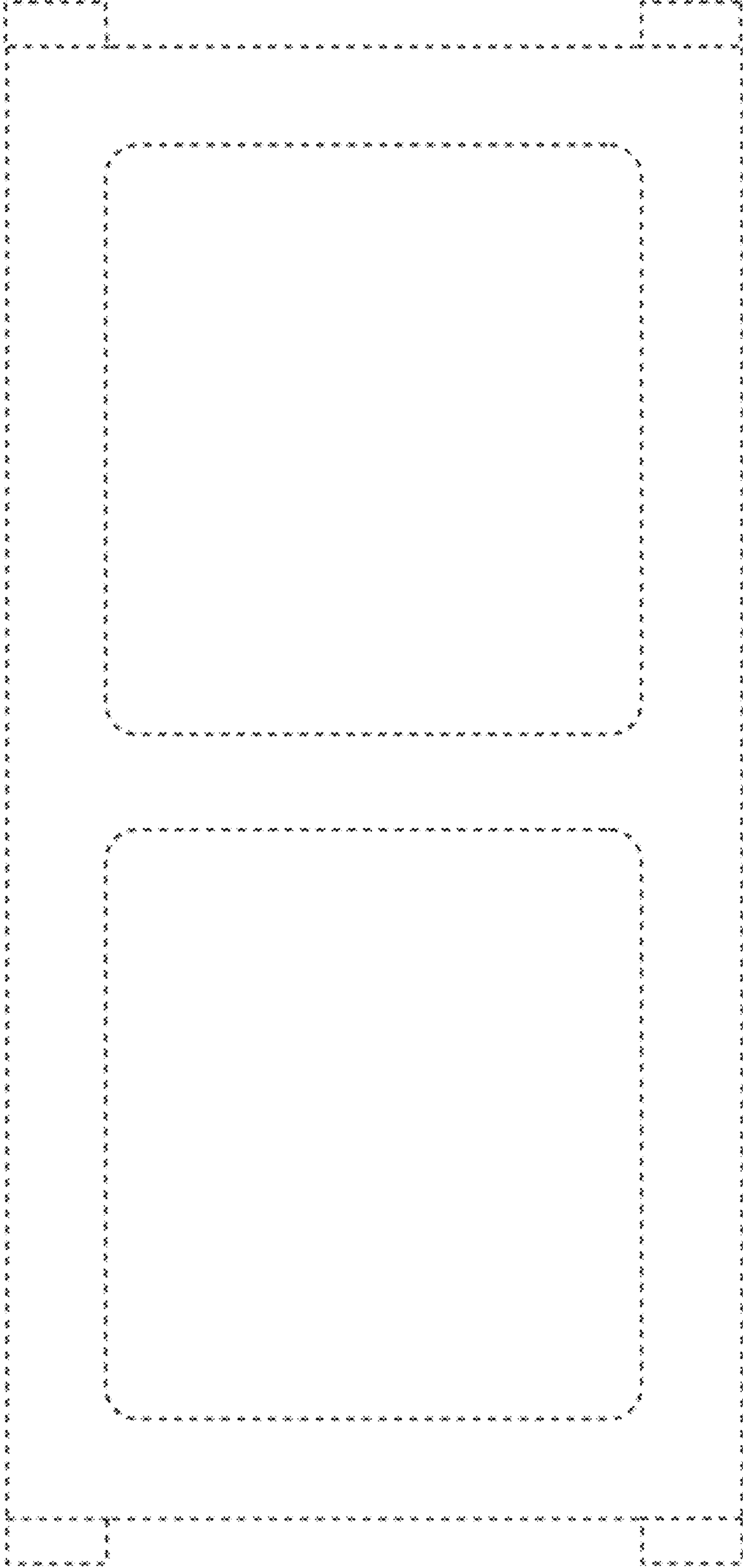


FIG. 7