



US00D673300S

(12) **United States Design Patent**
Ifko

(10) **Patent No.:** **US D673,300 S**

(45) **Date of Patent:** **** Dec. 25, 2012**

(54) **CASING CORNER PIECE**

(75) Inventor: **Stefan Ifko**, Woodbridge (CA)

(73) Assignee: **S.I.L. Plastic Sales & Supplies Inc.**,
Woodbridge (CA)

(**) Term: **14 Years**

(21) Appl. No.: **29/393,951**

(22) Filed: **Jun. 10, 2011**

(51) **LOC (9) Cl.** **25-01**

(52) **U.S. Cl.** **D25/102**

(58) **Field of Classification Search** D25/102;
52/656.5, 656.7, 658, 255, 211, 717.01, 745.15,
52/288.1, 287.1

See application file for complete search history.

(56) **References Cited**

U.S. PATENT DOCUMENTS

D286,434	S	*	10/1986	Schmidt	D25/48.7
6,047,507	A	*	4/2000	Lappin et al.	52/212
6,067,760	A	*	5/2000	Nowell	52/204.57
6,073,412	A	*	6/2000	Verch	52/656.5
D442,702	S	*	5/2001	Wilson	D25/102
D617,470	S	*	6/2010	Stouffer	D25/102

* cited by examiner

Primary Examiner — Doris Clark

(74) *Attorney, Agent, or Firm* — Bereskin & Parr
LLP/S.E.N.C.L, s.r.l.

(57) **CLAIM**

The ornamental design for a casing corner piece, as shown and described.

DESCRIPTION

FIG. 1 is an upper perspective view of the casing corner piece of the present design;

FIG. 2 is a lower perspective of the casing corner piece of FIG. 1;

FIG. 3 is a front view of the casing corner piece of FIG. 1;

FIG. 4 is a right side view of the casing corner piece of FIG. 1;

FIG. 5 is a back view of the casing corner piece of FIG. 1;

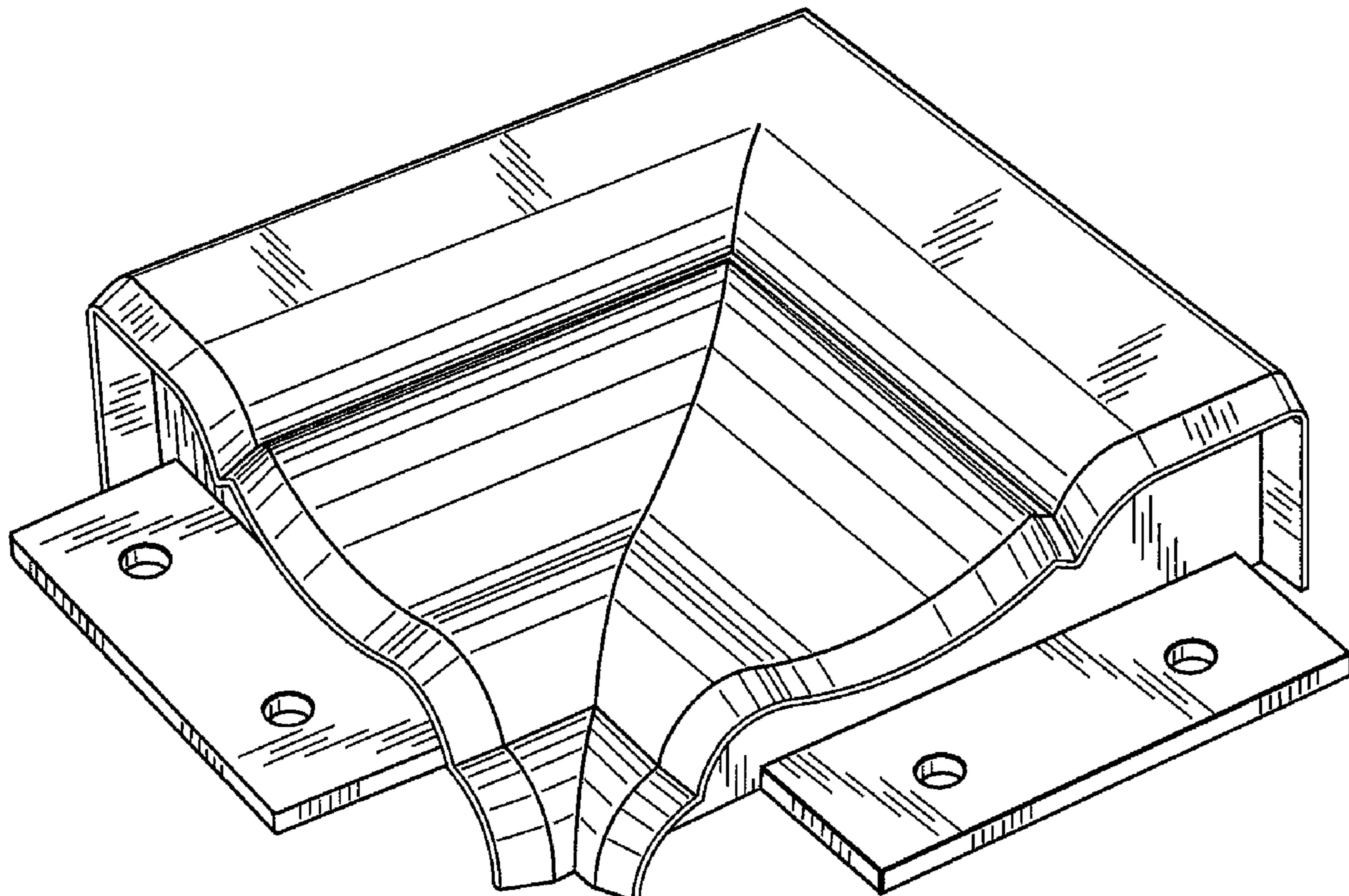
FIG. 6 is a left side view of the casing corner piece of FIG. 1;

FIG. 7 is a top view of the casing corner piece of FIG. 1;

FIG. 8 is a bottom view of the casing corner piece of FIG. 1; and,

FIG. 9 is a front perspective view of the casing corner piece of FIG. 1, shown in combination with horizontal and vertical casing members illustrated in broken line, the portions shown in broken line helping to illustrate environment and forming no part of the claimed design.

1 Claim, 5 Drawing Sheets



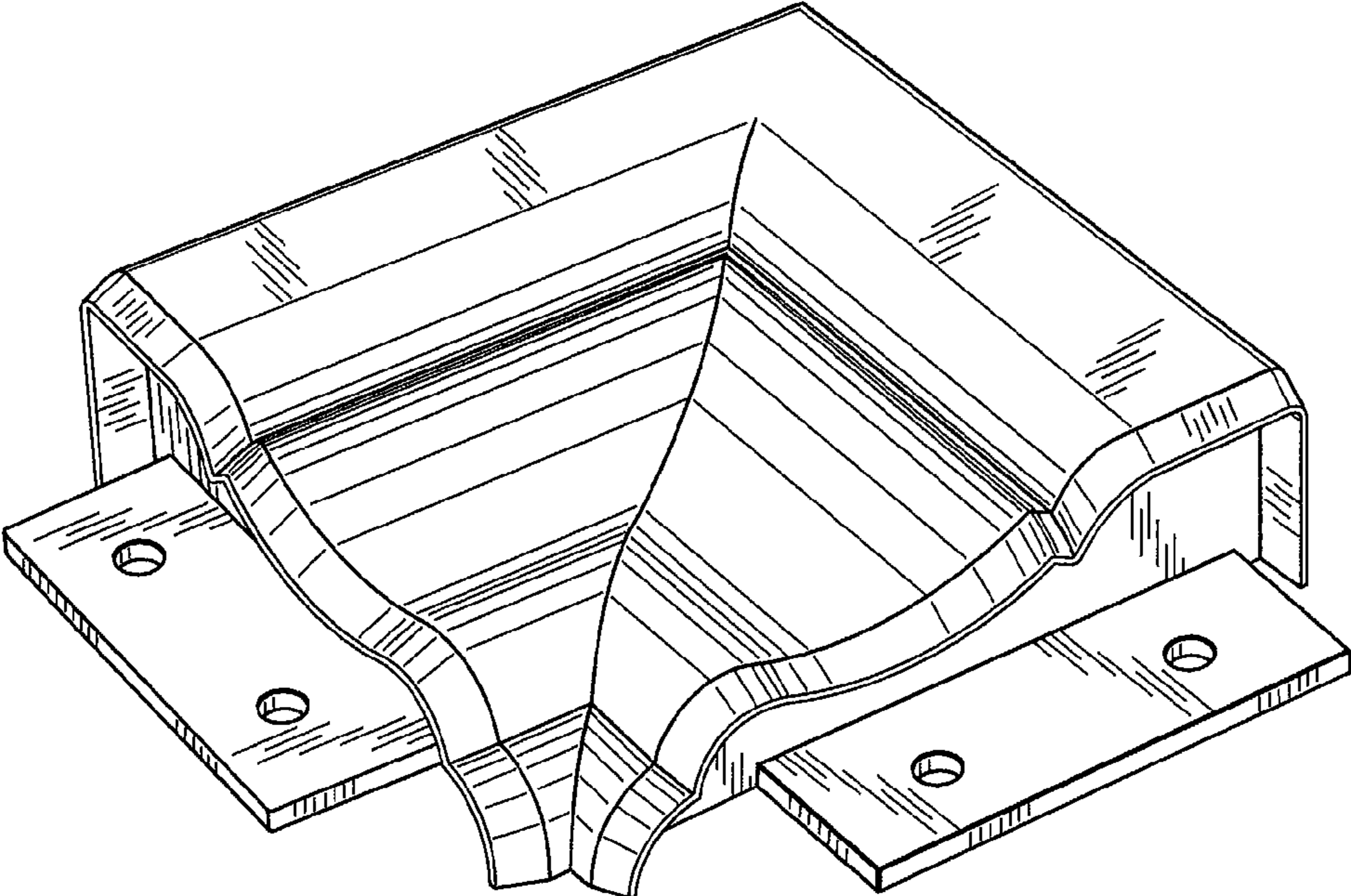


FIG. 1

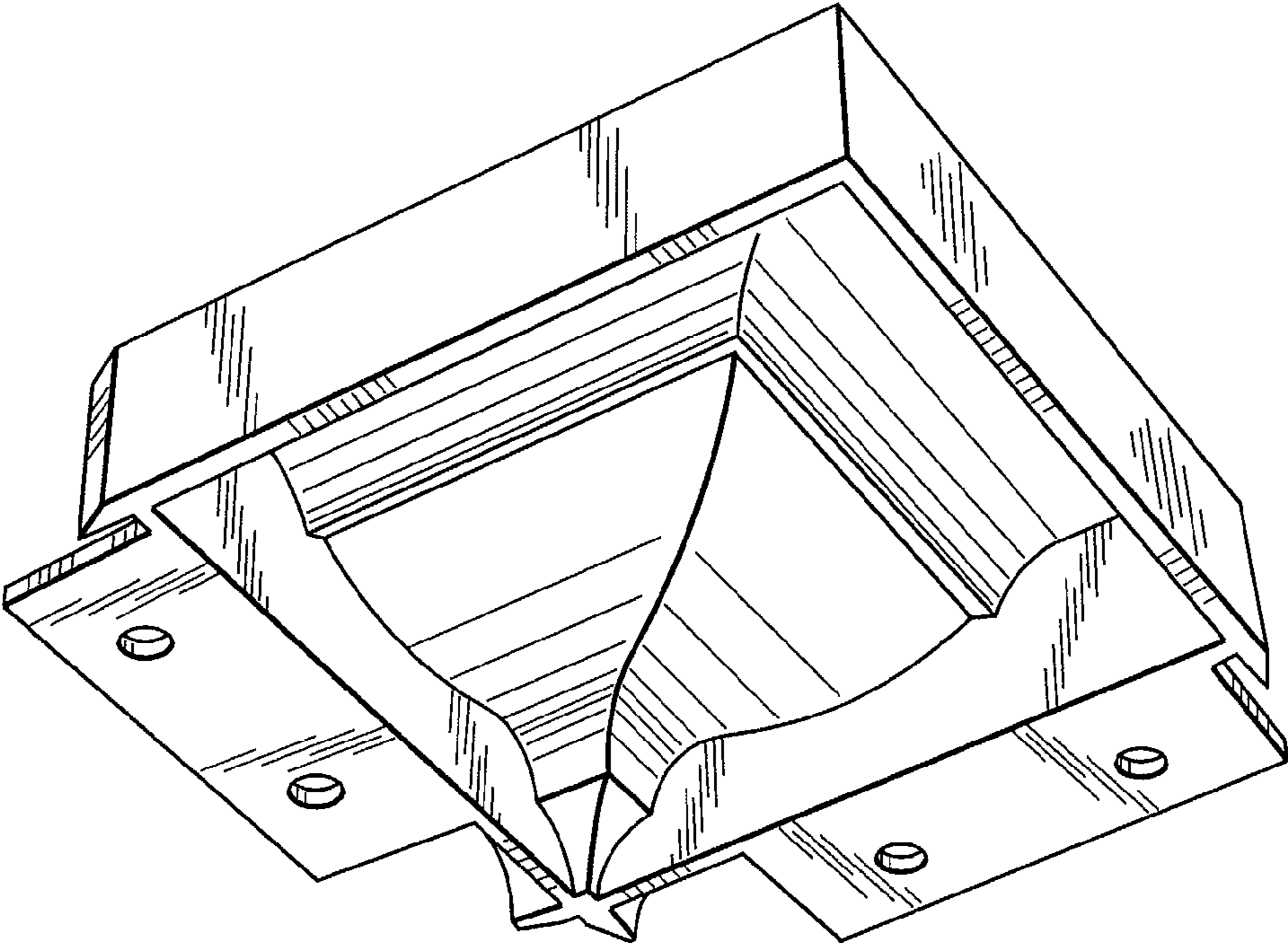


FIG. 2

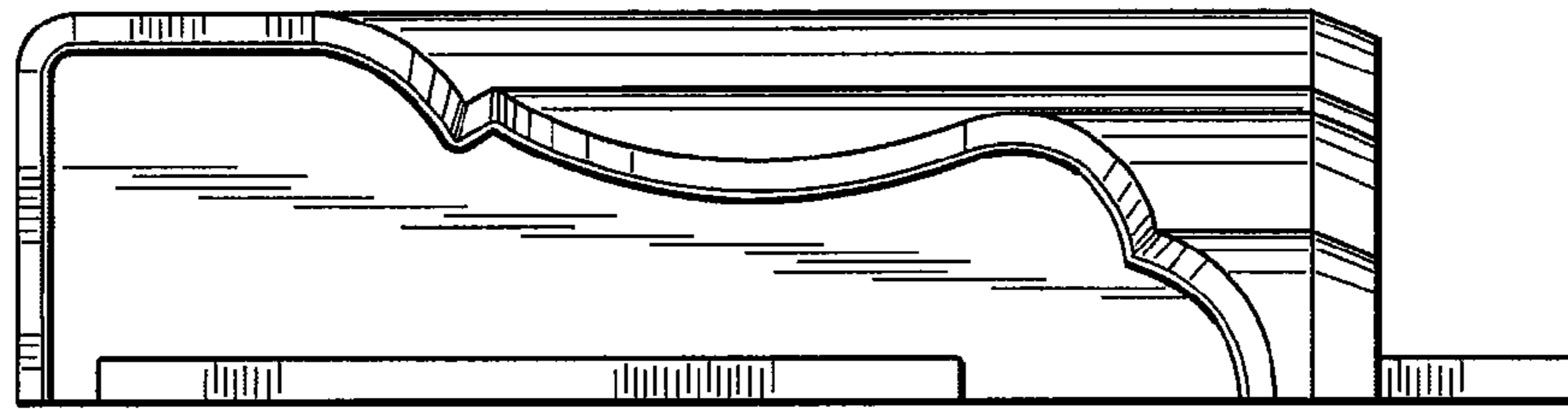


FIG. 3

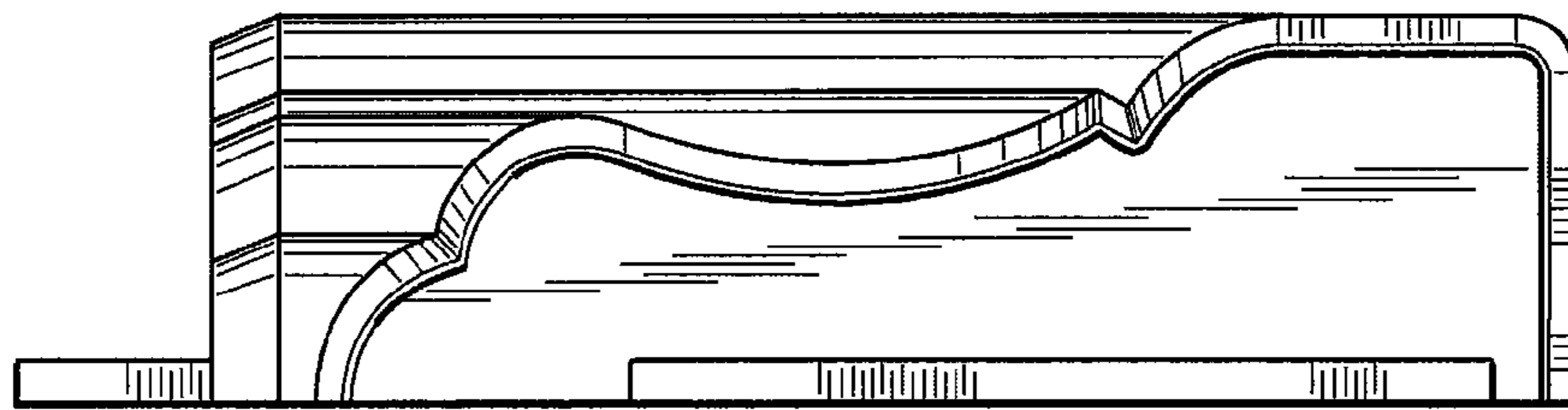


FIG. 4

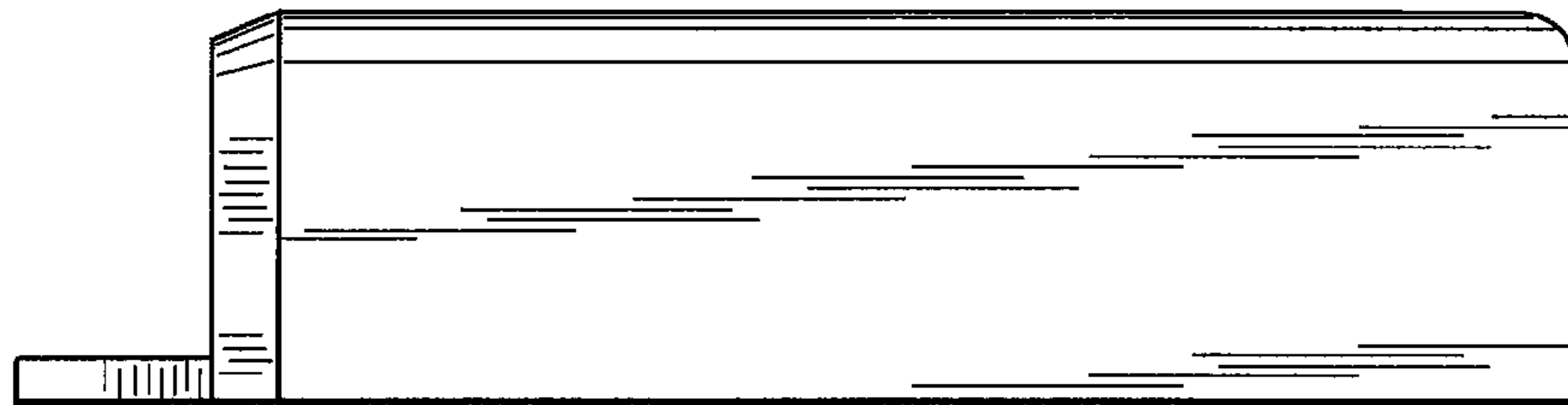


FIG. 5

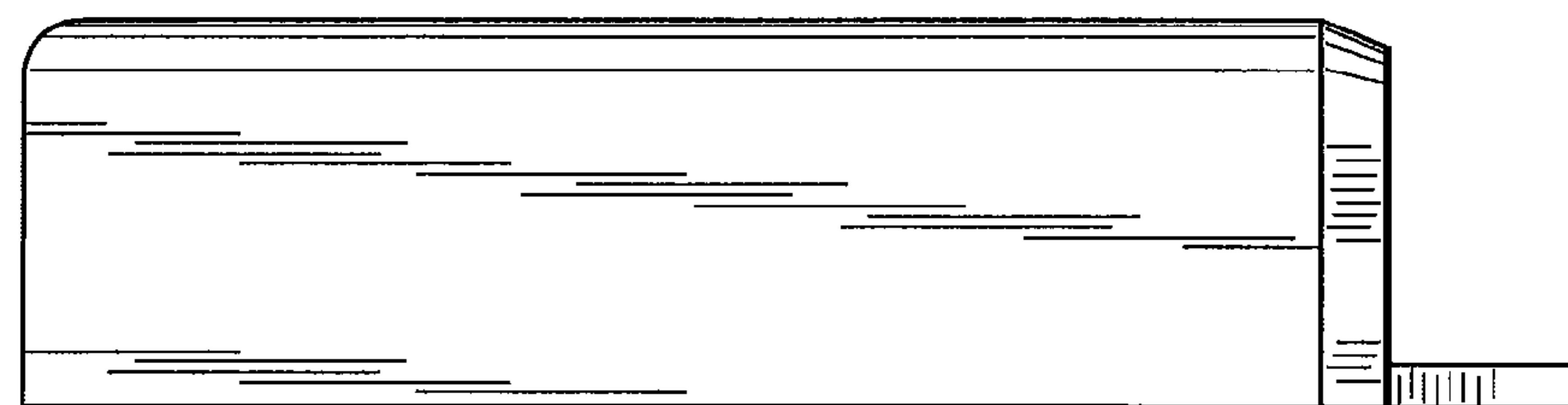


FIG. 6

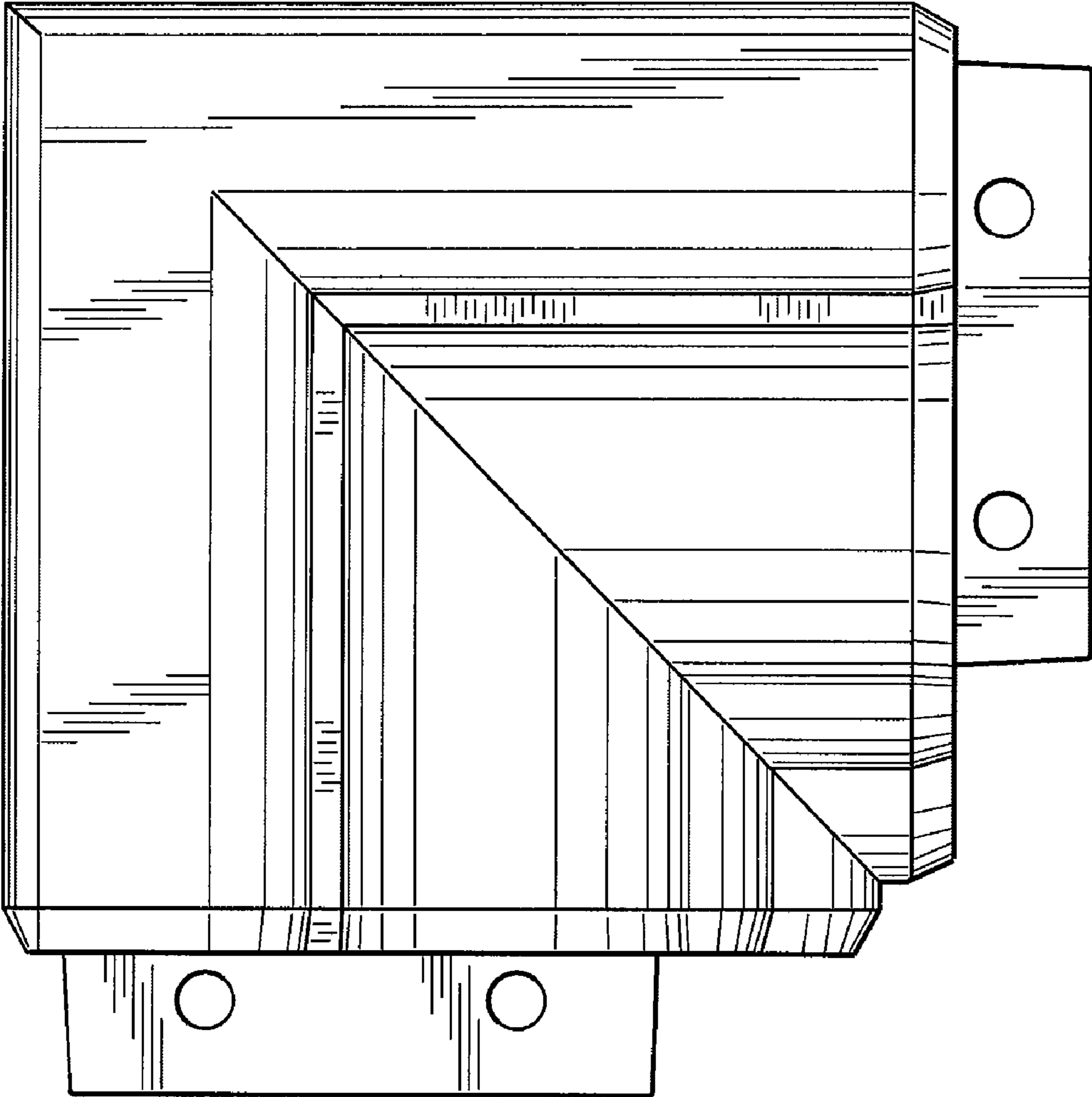


FIG. 7

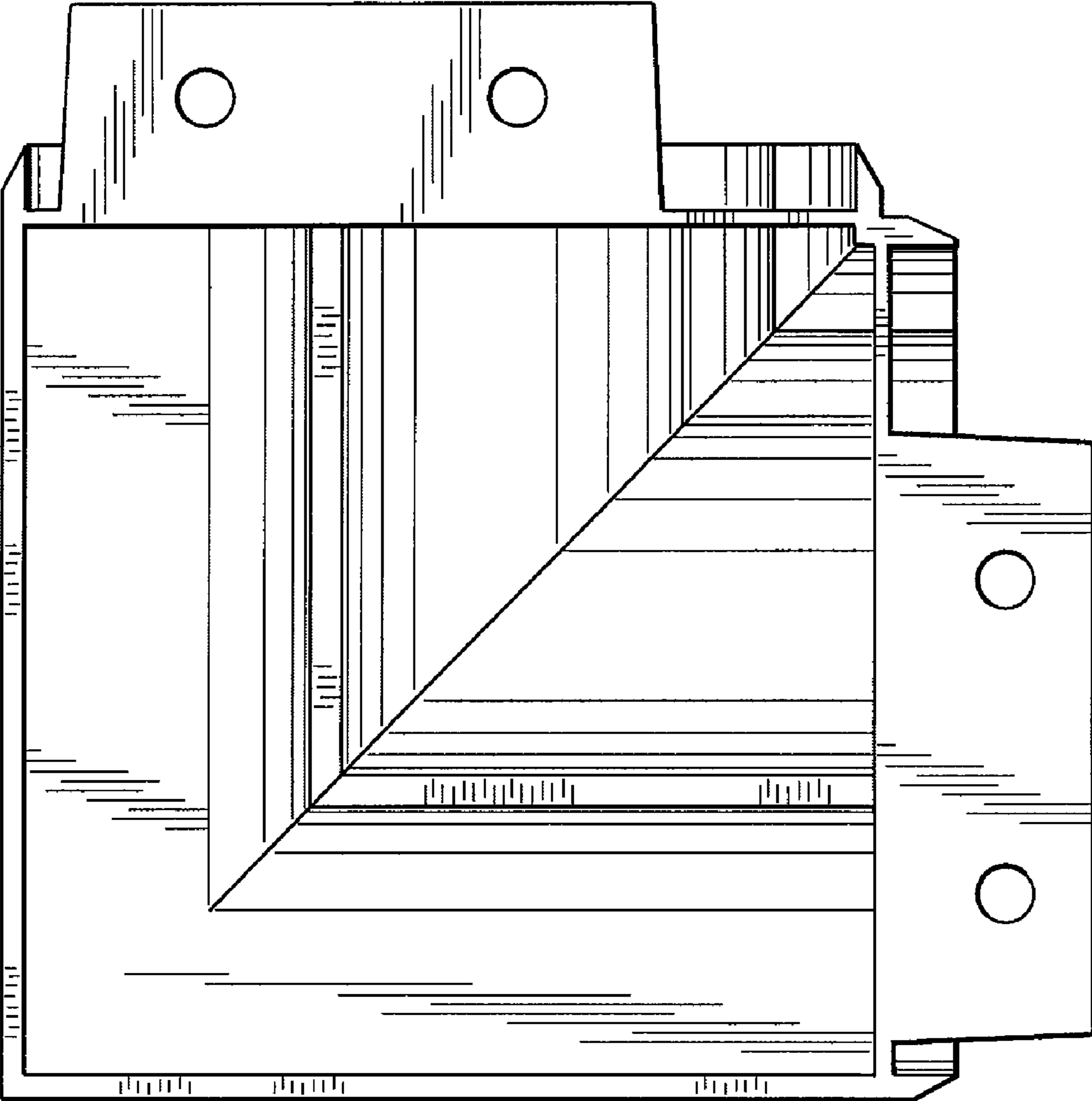


FIG. 8

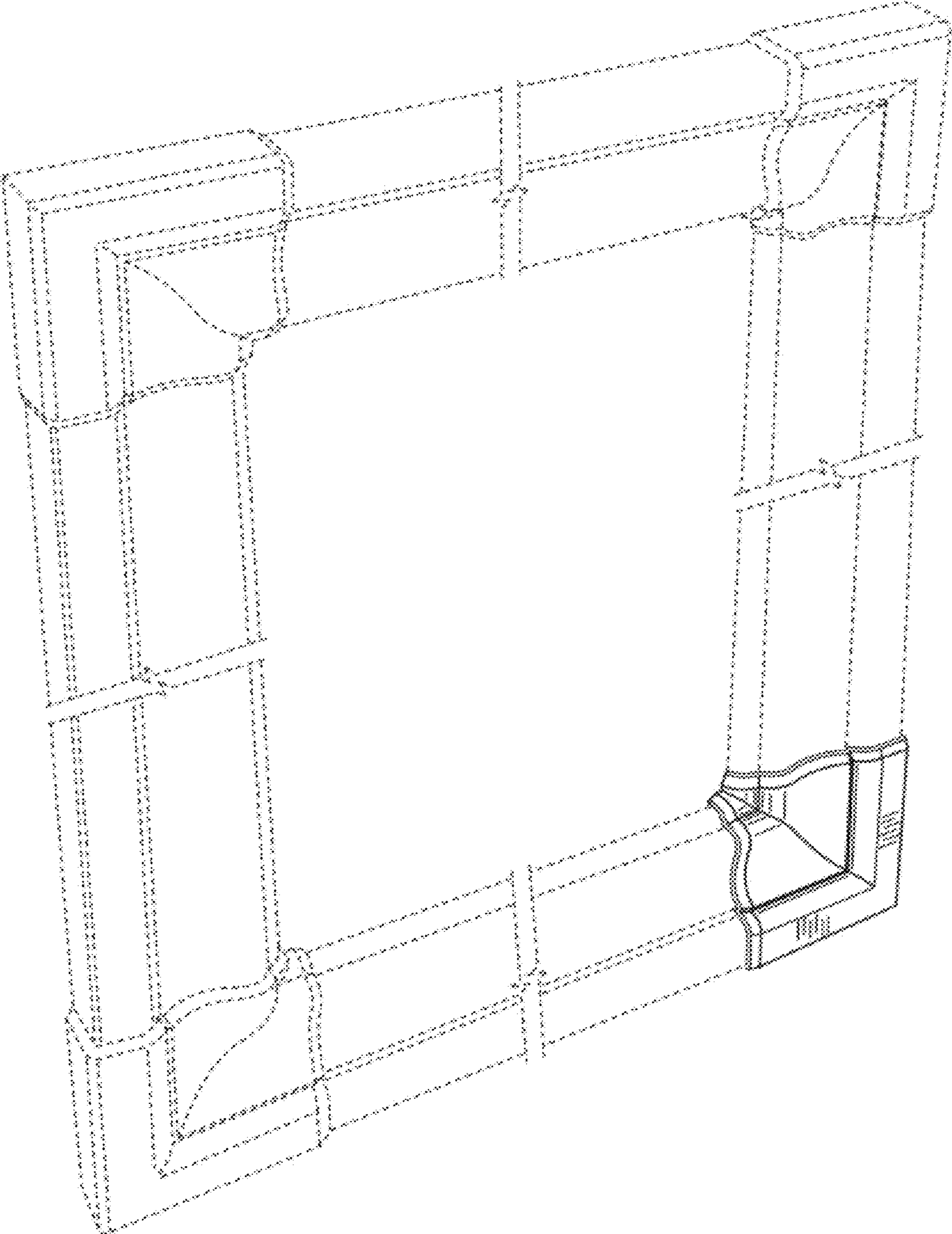


FIG. 9