



US00D673299S

(12) **United States Design Patent**
Balducki

(10) **Patent No.:** **US D673,299 S**

(45) **Date of Patent:** **** Dec. 25, 2012**

(54) **HALF-STEP STAIRCASE STRUCTURE**

Primary Examiner — Doris Clark

(76) **Inventor:** **John R. Balducki**, Oskaloosa, IA (US)

(74) *Attorney, Agent, or Firm* — Richard L. Miller

(**) **Term:** **14 Years**

(57) **CLAIM**

(21) **Appl. No.:** **29/373,633**

The ornamental design for a half-step staircase structure, as shown and described.

(22) **Filed:** **May 4, 2011**

(51) **LOC (9) Cl.** **25-04**

(52) **U.S. Cl.** **D25/63**

(58) **Field of Classification Search** D25/63;
52/182, 187, 190, 191

See application file for complete search history.

DESCRIPTION

(56) **References Cited**

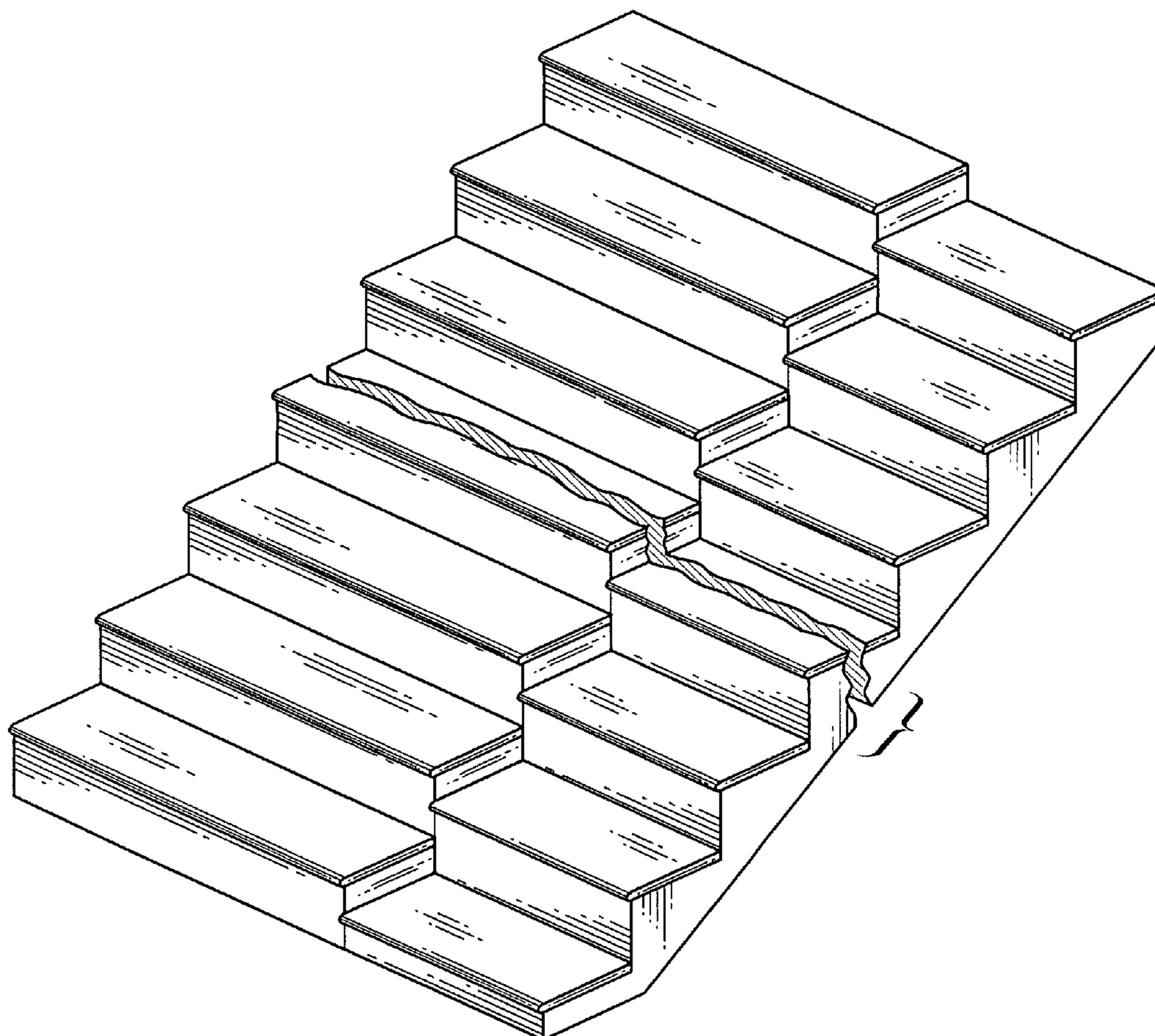
U.S. PATENT DOCUMENTS

2,044,260	A	6/1936	Schiele	
2,206,862	A *	7/1940	Boyd	52/182
D287,283	S	12/1986	Johnson	
5,355,904	A	10/1994	Wallum	
D481,467	S *	10/2003	Brice	D25/63
D566,298	S *	4/2008	Bornhorst et al.	D25/63
7,686,138	B2	3/2010	Schmidt	
2003/0024177	A1 *	2/2003	Hirata	52/182

* cited by examiner

FIG. 1 is a three quarter front, top, left perspective view of a half-step staircase structure showing my new design.
 FIG. 2 is a front elevational view thereof, taken in the direction of arrow 2 in FIG. 6;
 FIG. 3 is a left side view thereof taken in the direction of arrow 3 in FIG. 6;
 FIG. 4 is a right side view taken in the direction of arrow 4 in FIG. 6;
 FIG. 5 is a top view taken in the direction of arrow 5 in FIG. 6; and,
 FIG. 6 is a view identical to FIG. 1 with directional arrows included.
 It is to be understood that bracket in all figure indicates that the precise staircase structure is not claimed.

1 Claim, 4 Drawing Sheets



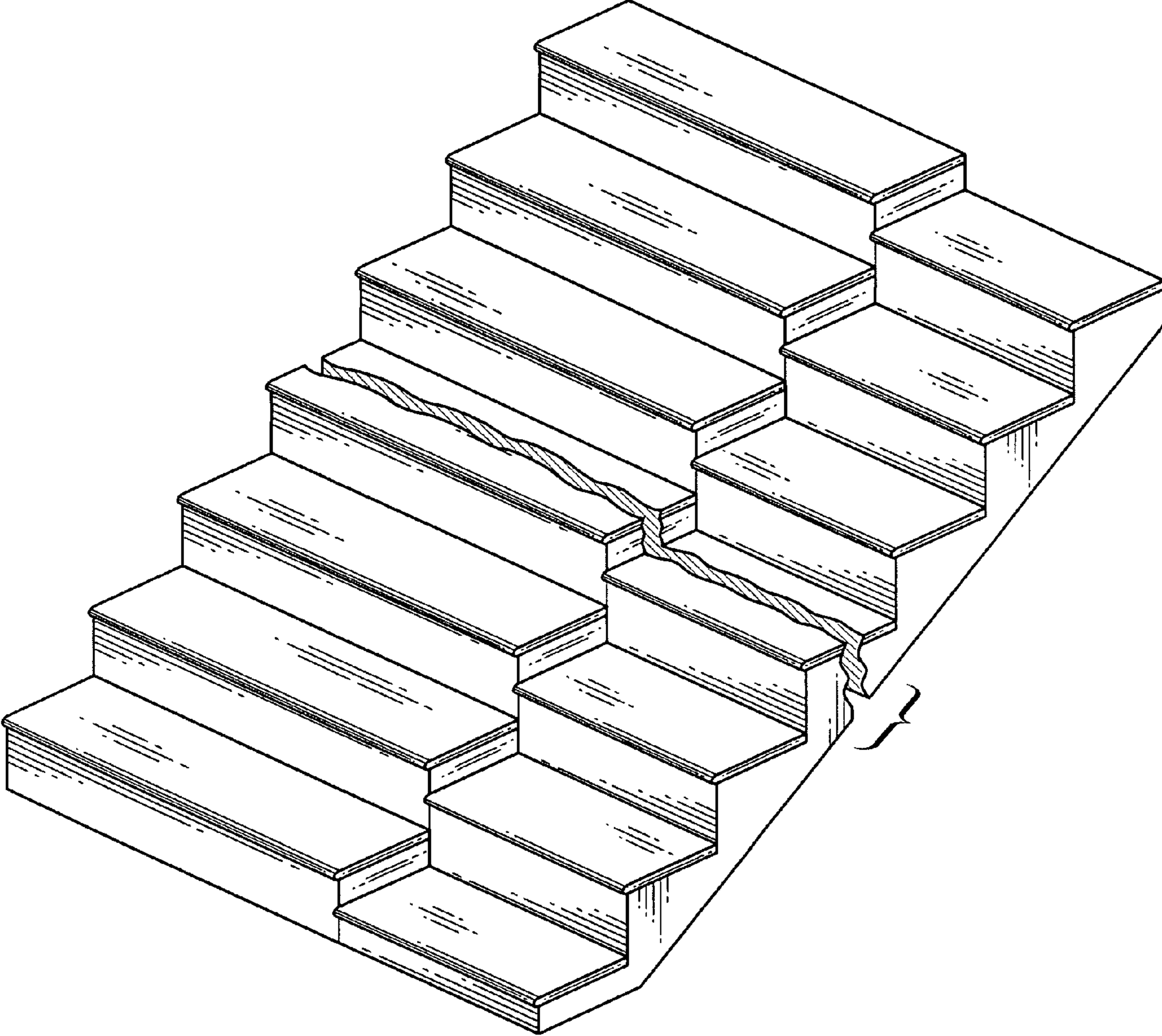


FIG. 1

FIG. 2

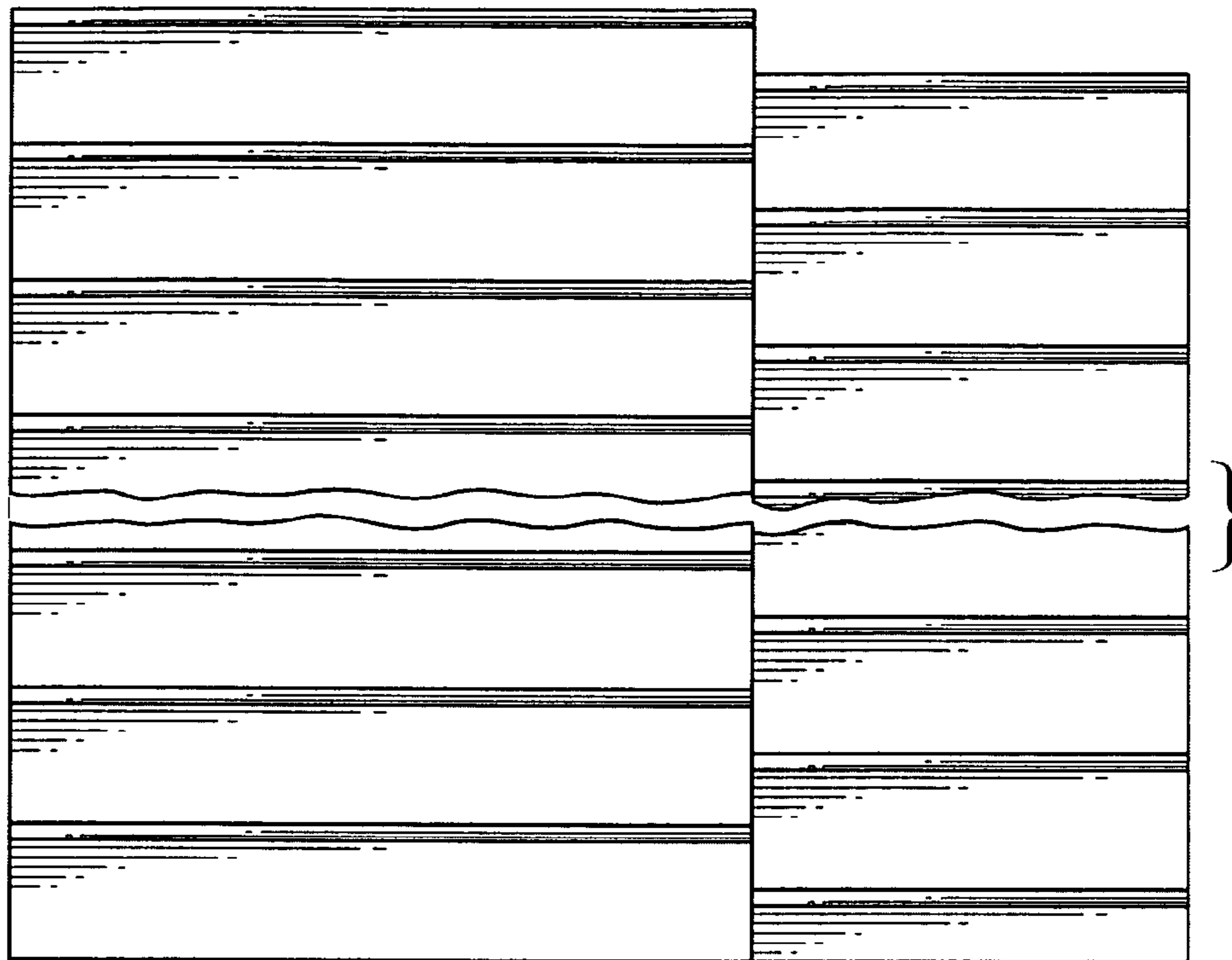
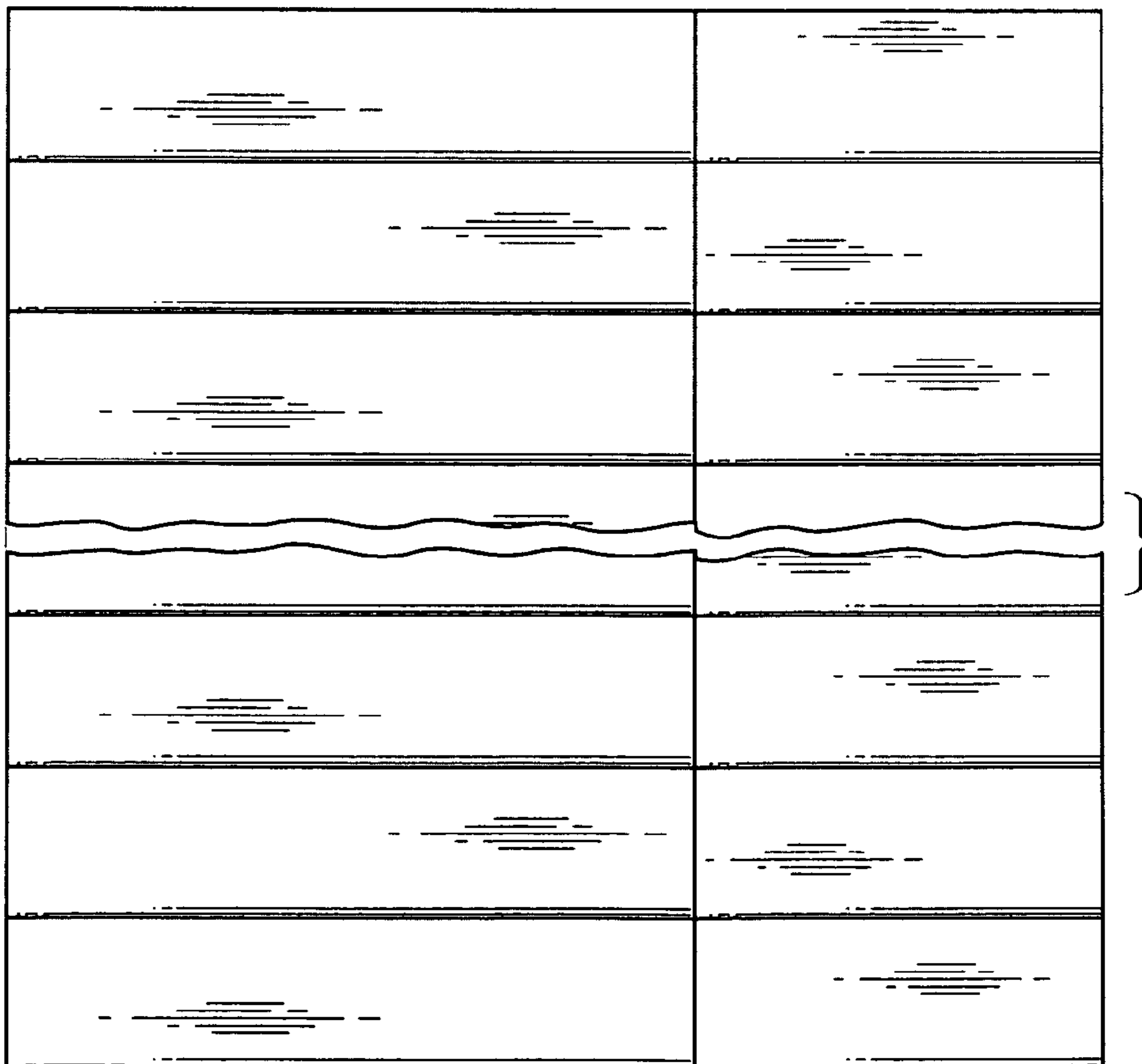


FIG. 5



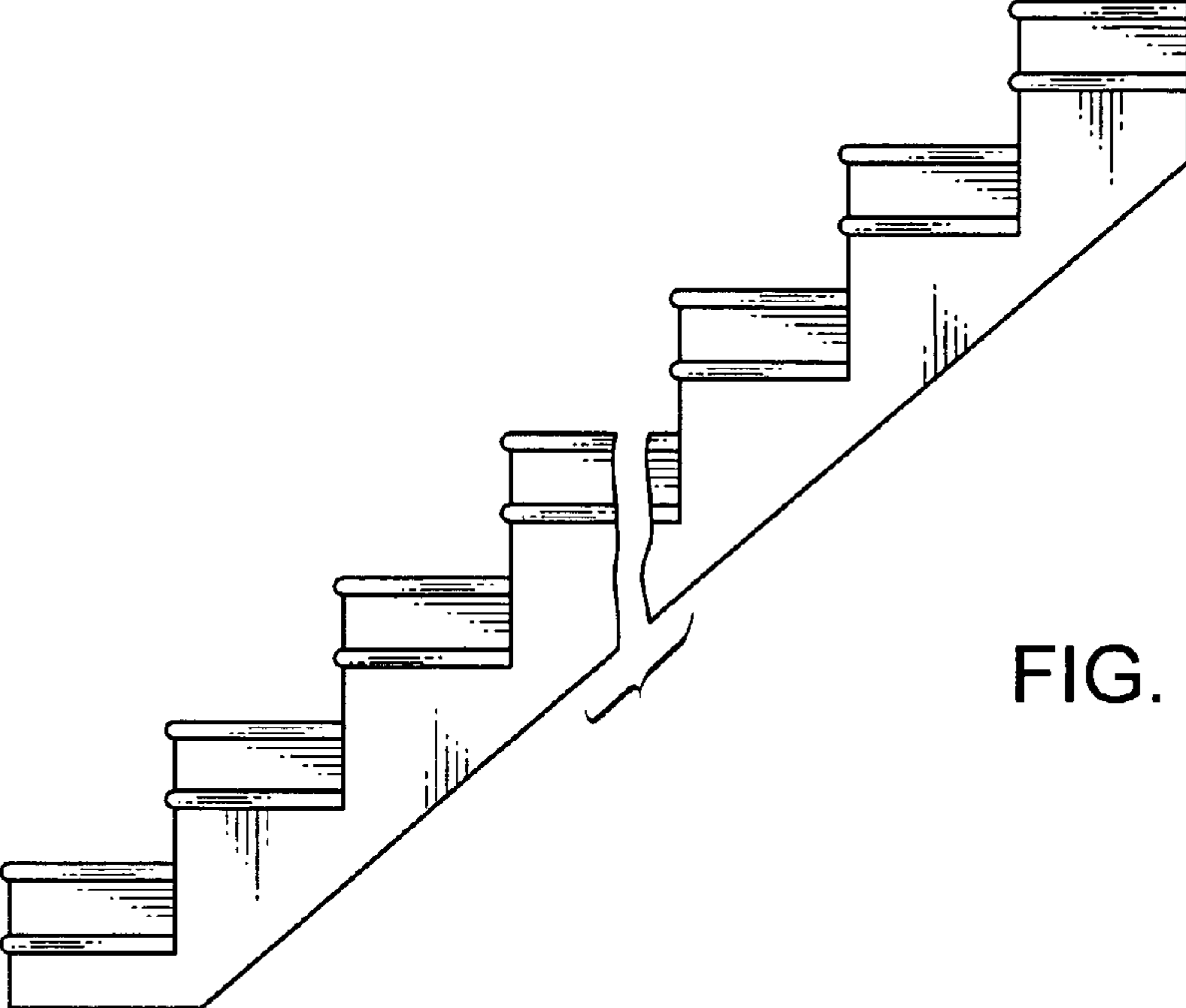


FIG. 3

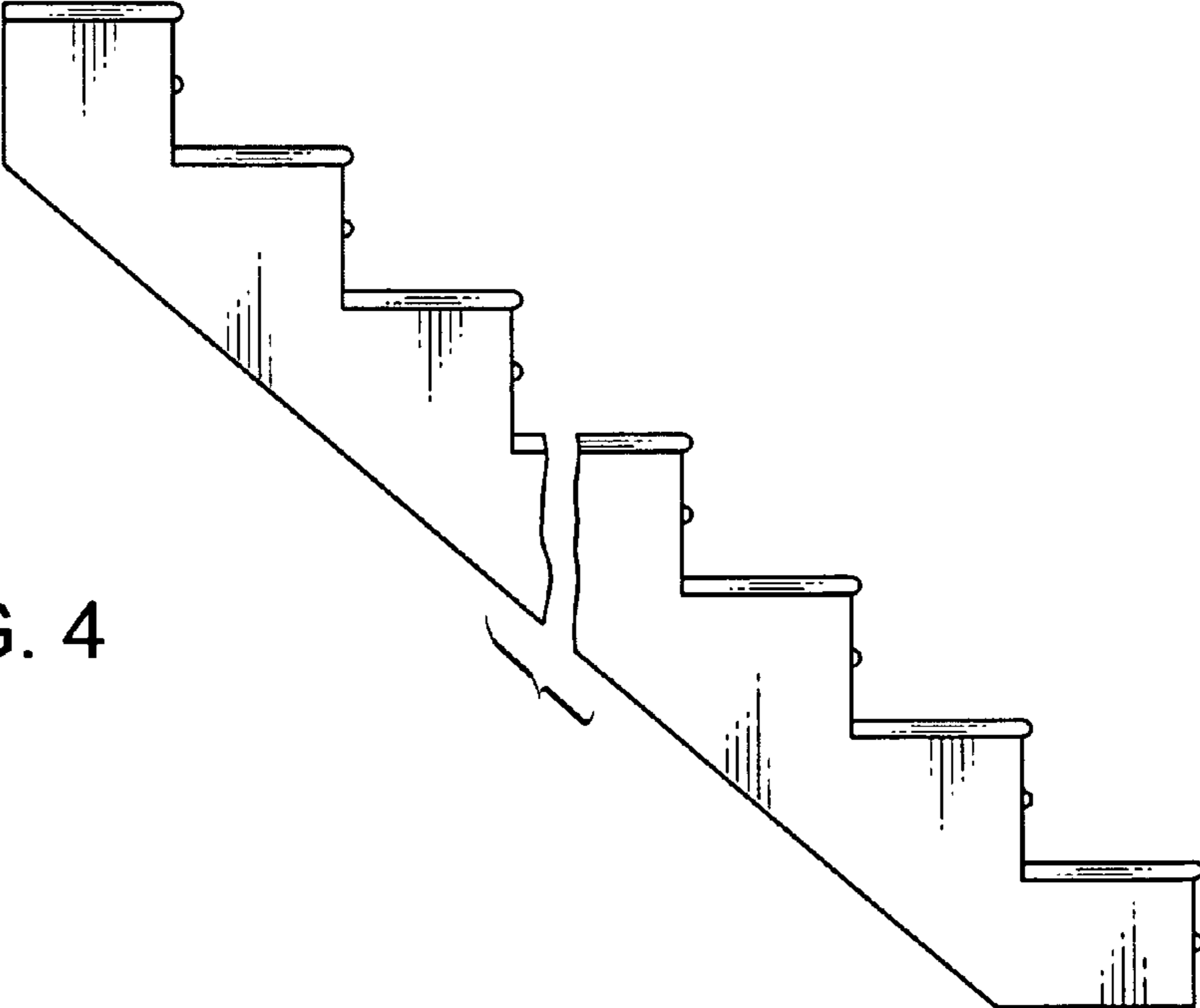


FIG. 4

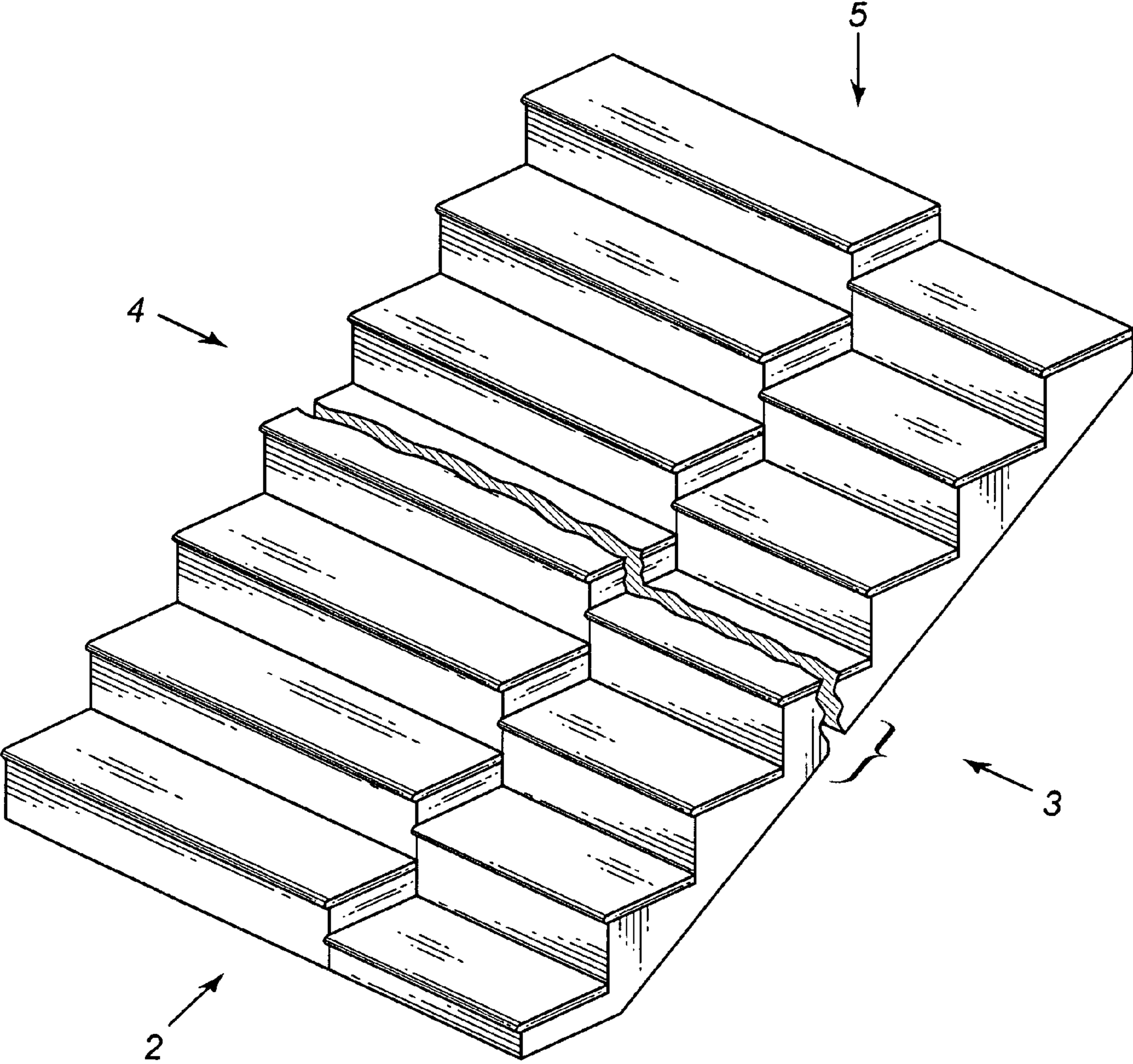


FIG. 6