

US00D673298S

(12) **United States Design Patent**
Perrin et al.

(10) **Patent No.:** **US D673,298 S**

(45) **Date of Patent:** **** Dec. 25, 2012**

(54) **SPRAYHEAD**

(75) Inventors: **Timothy E. Perrin**, Hartford, WI (US);
Theodore E. Dhein, Sussex, WI (US)

(73) Assignee: **Bradley Fixtures Corporation**,
Menomonee Falls, WI (US)

(**) Term: **14 Years**

(21) Appl. No.: **29/424,858**

(22) Filed: **Jun. 15, 2012**

Related U.S. Application Data

(62) Division of application No. 29/343,135, filed on Sep. 8, 2009, now Pat. No. Des. 662,605.

(51) **LOC (9) Cl.** **24-02**

(52) **U.S. Cl.** **D24/232; D23/249**

(58) **Field of Classification Search** D24/216-234;
D23/200, 213, 226, 232, 238-257, 291, 284;
4/619-620, 623-624, 675-678, 615-616,
4/294-295; 16/801; 137/110.1, 441; 604/294,
604/301; 239/579, 487, 553

See application file for complete search history.

(56) **References Cited**

U.S. PATENT DOCUMENTS

2,458,876 A	1/1949	Rehn	
2,482,960 A	9/1949	Benson	
3,090,050 A	5/1963	Fraser et al.	
3,413,660 A	12/1968	Lagarelli et al.	
D216,884 S	3/1970	Wright	
3,599,251 A	8/1971	Wright	
3,629,876 A	12/1971	Wright	
3,809,315 A	5/1974	Wright	
3,925,829 A *	12/1975	Bost	4/615
4,012,798 A	3/1977	Liautaud	
D250,594 S *	12/1978	Gardner	D23/213
4,363,146 A *	12/1982	Liautaud	4/620
4,585,175 A *	4/1986	Formentos	239/553

4,675,924 A	6/1987	Allison et al.
4,881,283 A	11/1989	Liautaud
5,008,963 A	4/1991	Stein
5,157,798 A	10/1992	Van Kammen
5,216,765 A	6/1993	Paterson et al.
5,265,288 A	11/1993	Allison
5,381,567 A	1/1995	Tanner et al.
5,530,972 A	7/1996	Tanner
5,566,406 A	10/1996	Demeny et al.
D388,507 S	12/1997	Gurries, II
5,754,990 A	5/1998	Gurries, II
6,205,599 B1	3/2001	Anders
6,296,626 B1	10/2001	Stein
D466,589 S	12/2002	Miedzius
D468,816 S	1/2003	Adams
6,520,431 B2	2/2003	Donovan
D498,293 S	11/2004	Sutopo
D507,042 S	7/2005	Sutopo
D529,185 S	9/2006	Zhou
D530,800 S	10/2006	Hisey
D531,287 S	10/2006	Bates
D539,396 S	3/2007	Plikuhn et al.

(Continued)

Primary Examiner — T. Chase Nelson
Assistant Examiner — Mark Cavanna
(74) *Attorney, Agent, or Firm* — Foley & Lardner LLP

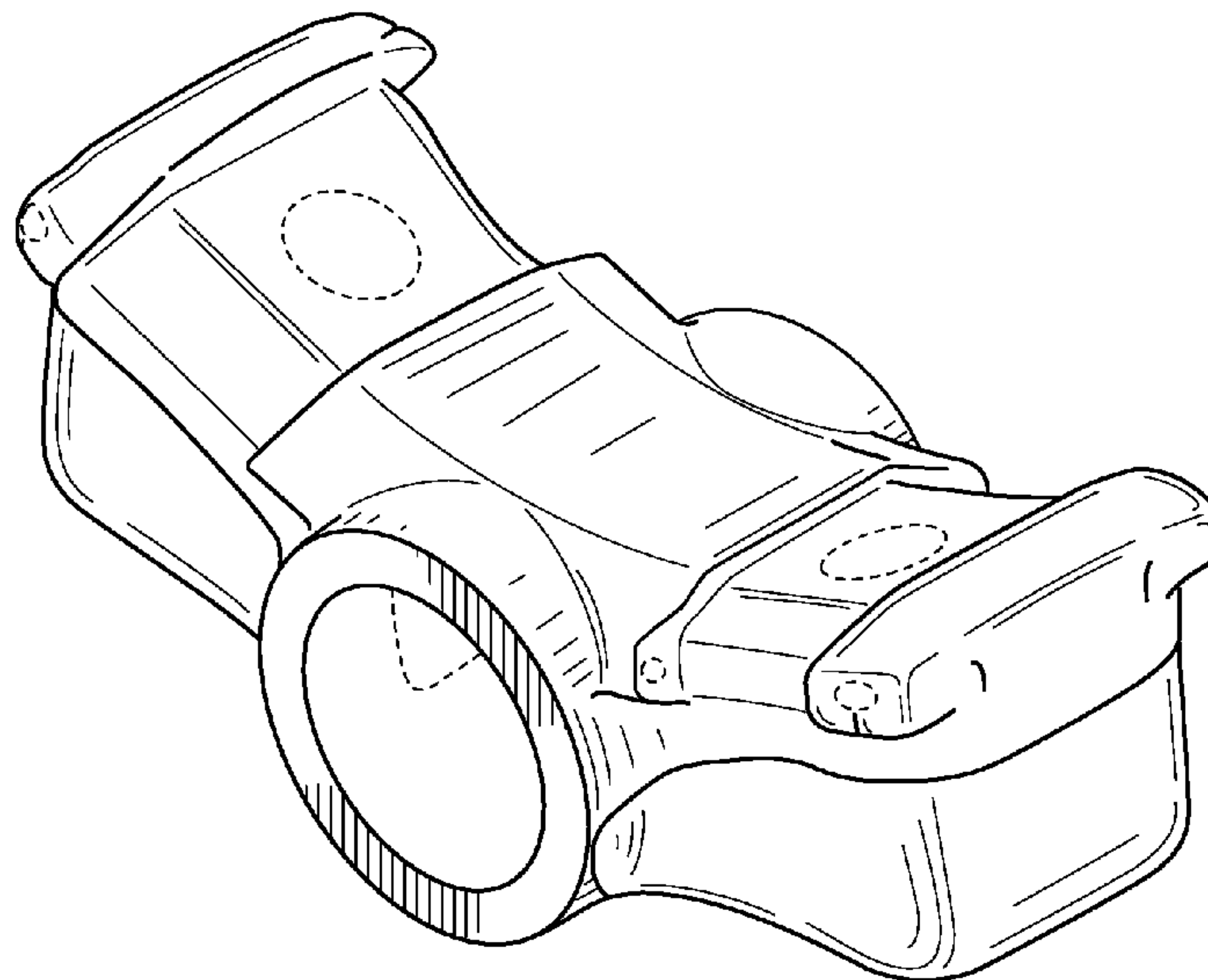
(57) **CLAIM**

We claim the ornamental design for a sprayhead, as shown and described.

DESCRIPTION

FIG. 1 is a top perspective view of the claimed design;
FIG. 2 is a top view thereof;
FIG. 3 is a bottom view thereof;
FIG. 4 is a right side view thereof, the left side view is a mirror image of FIG. 4; and,
FIG. 5 is a front view thereof.
The broken lines in the drawings are for illustrative purposes only and form no part of the claimed design.

1 Claim, 3 Drawing Sheets



US D673,298 S

Page 2

U.S. PATENT DOCUMENTS

D545,947 S	7/2007	Bruce	7,857,795 B2	12/2010	Perrin et al.
D562,438 S	2/2008	Jones et al.	D630,308 S	1/2011	Webb
D568,989 S	5/2008	Kammer et al.	D630,309 S	1/2011	Webb
D569,970 S	5/2008	Kammer et al.	D634,821 S	3/2011	Thomas
D610,660 S	2/2010	Slothower	2007/0089233 A1	4/2007	Smith et al.
D612,064 S	3/2010	Strandberg et al.	2007/0204398 A1	9/2007	Dubois
7,806,348 B2	10/2010	Kline et al.	2009/0288251 A1	11/2009	Strandberg et al.

* cited by examiner

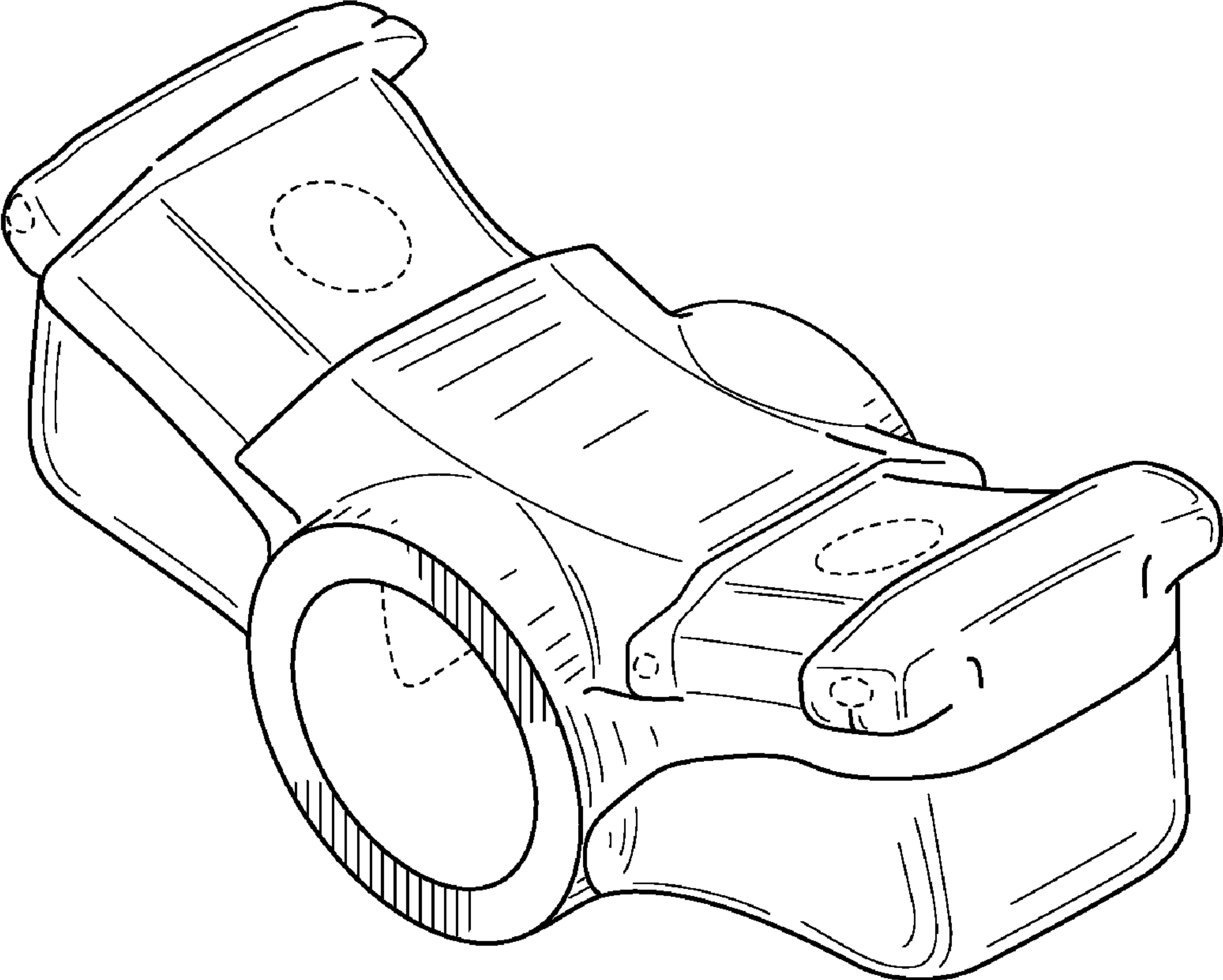


FIG. 1

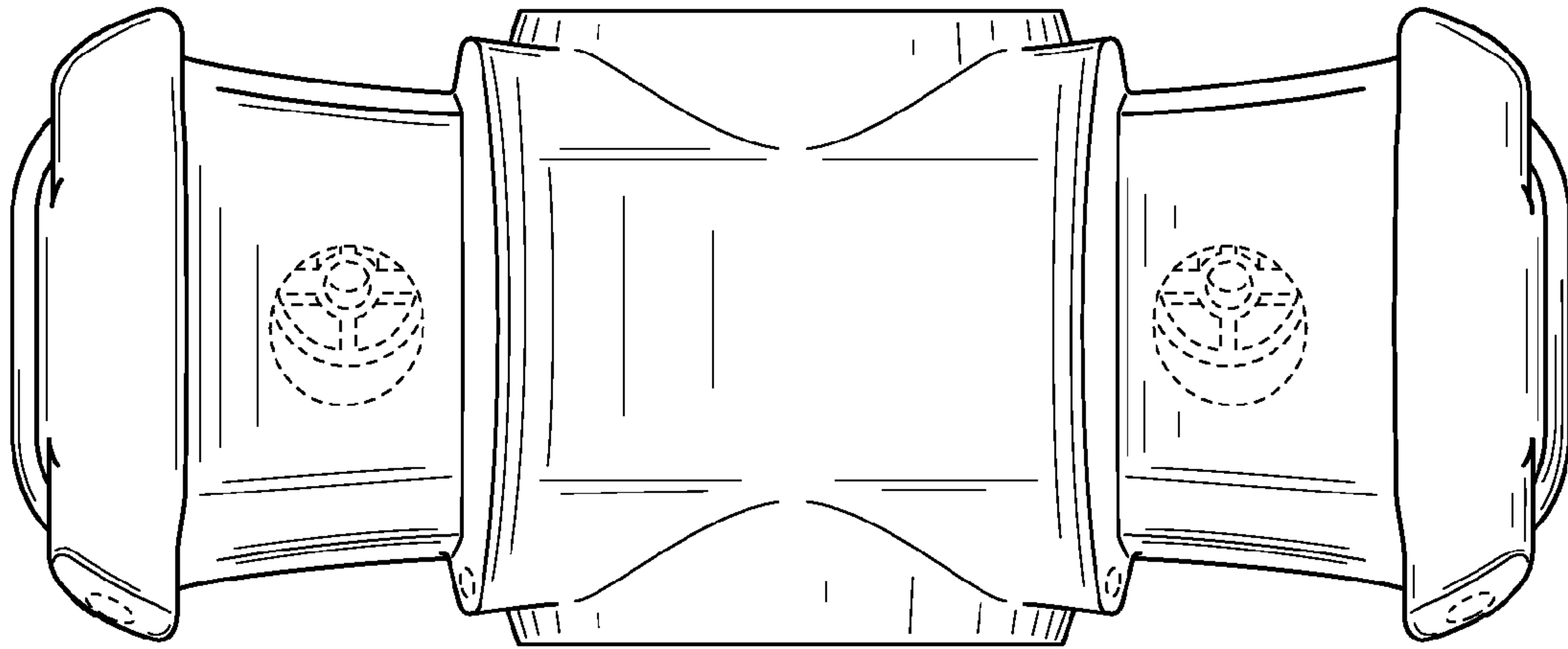


FIG. 2

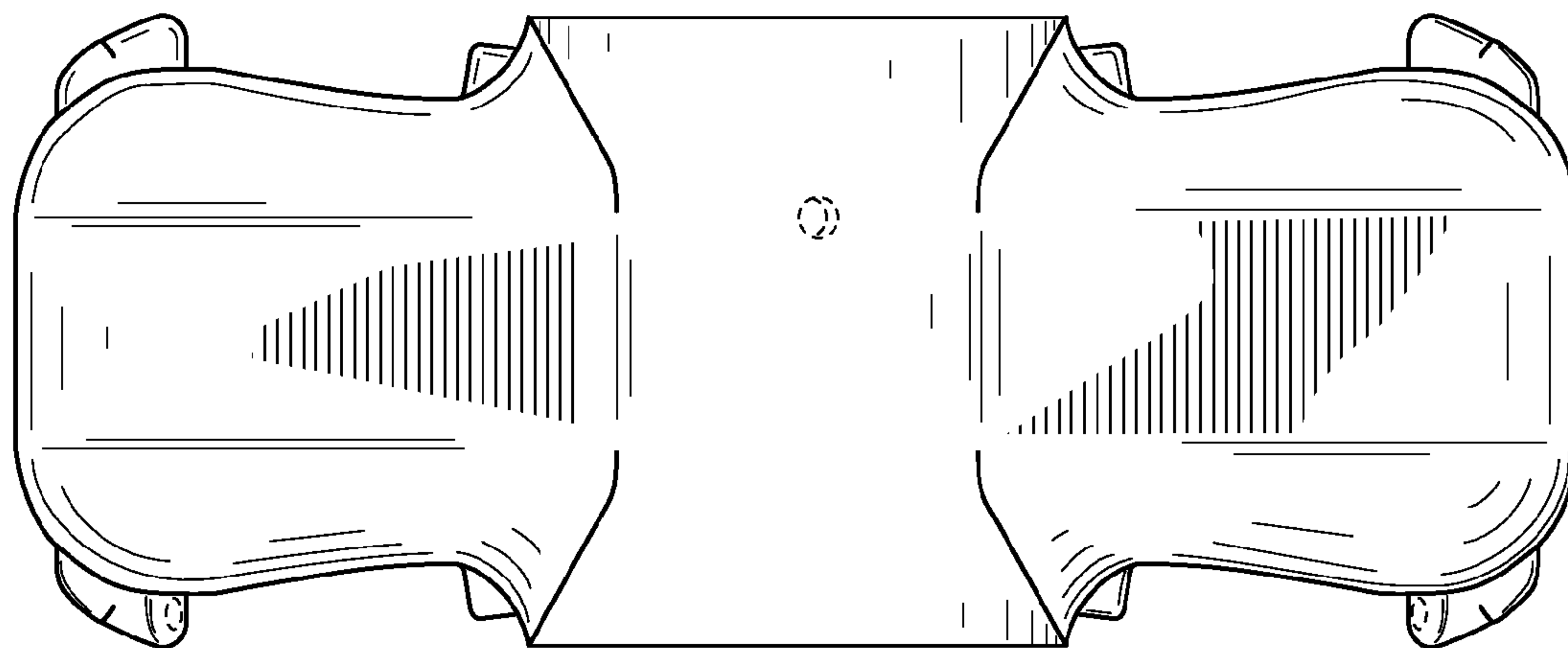


FIG. 3

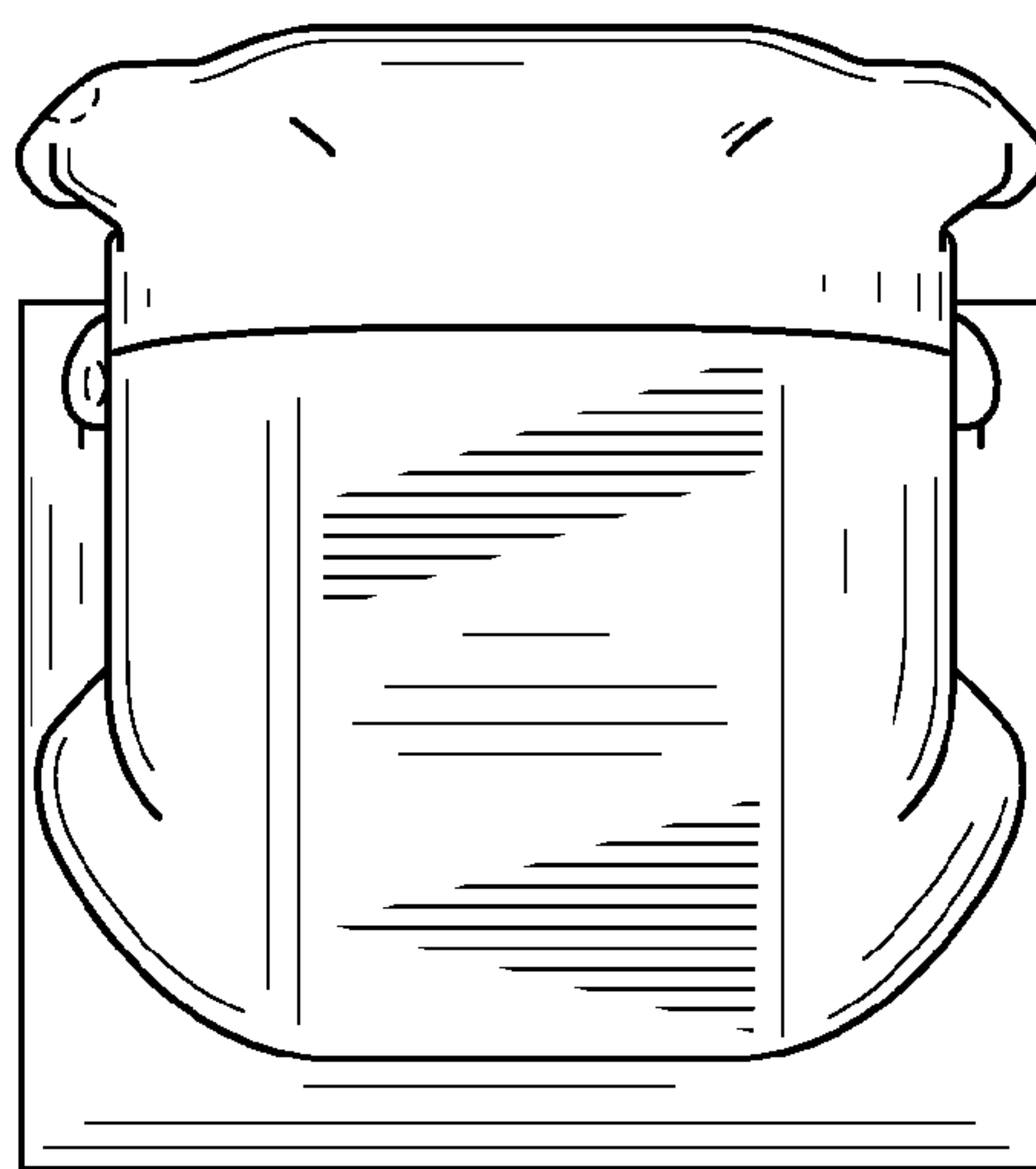


FIG. 4

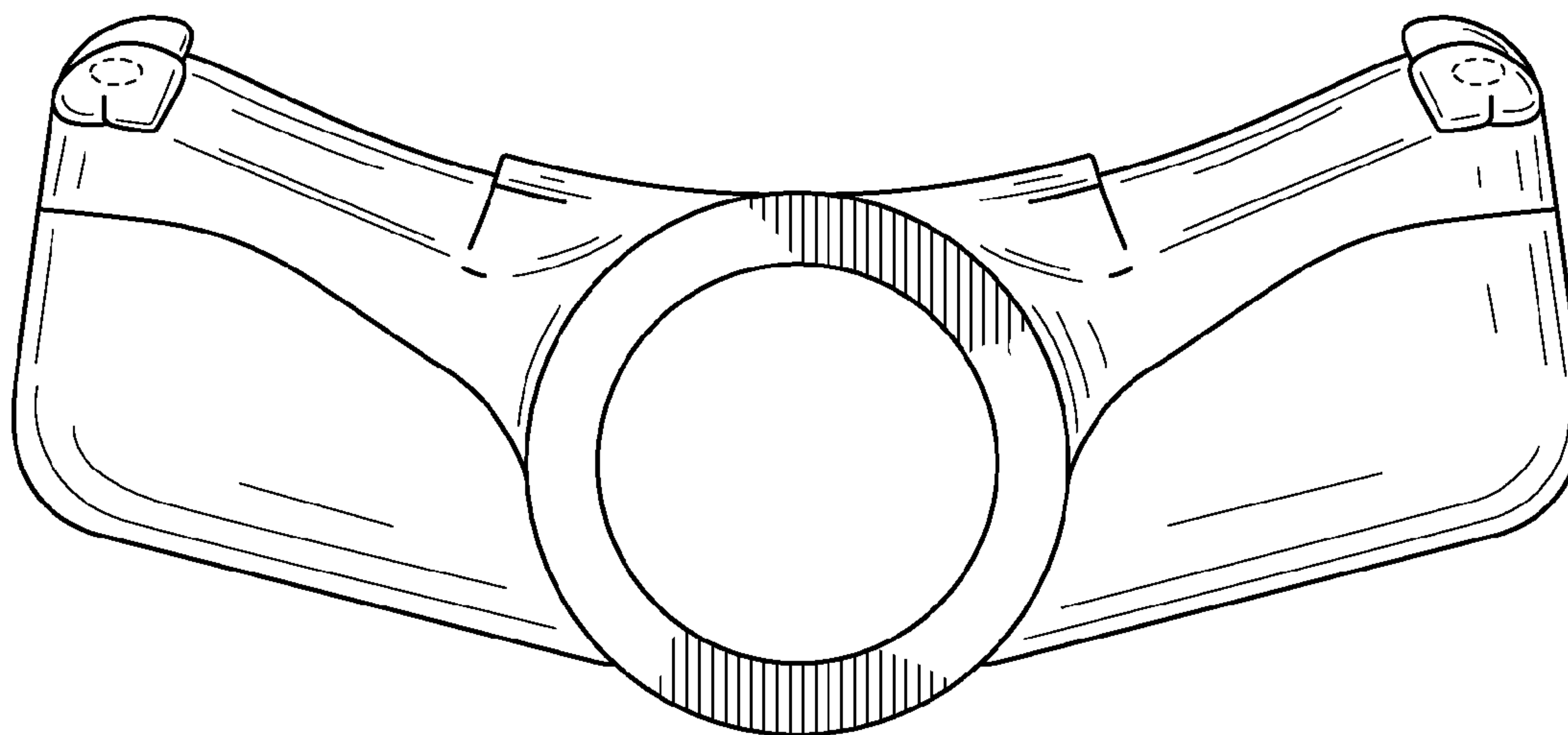


FIG. 5