



US00D673297S

(12) **United States Design Patent**
Hawker

(10) **Patent No.:** **US D673,297 S**

(45) **Date of Patent:** **** Dec. 25, 2012**

(54) **CONTAINER**

(75) Inventor: **John Hawker**, Ipswich (GB)

(73) Assignee: **INOV8 Medical Solutions Limited**,
Chesterfield (GB)

(**) Term: **14 Years**

(21) Appl. No.: **29/417,021**

(22) Filed: **Mar. 29, 2012**

(30) **Foreign Application Priority Data**

Oct. 4, 2011 (EM) 001927021-0001

(51) **LOC (9) Cl.** **24-02**

(52) **U.S. Cl.** **D24/227**

(58) **Field of Classification Search** D24/123,
D24/216, 223-232; 422/99, 102, 104, 297,
422/300; 206/363, 370, 557; D3/304, 307,
D3/308, 314, 315; D7/500, 550.1, 602, 554.3,
D7/543-587, 354, 552.2, 409, 359-361;
D6/406.1, 406.2, 406.3, 601; 220/574; D9/425
See application file for complete search history.

(56) **References Cited**

U.S. PATENT DOCUMENTS

D275,886 S * 10/1984 Sheward et al. D24/227
4,889,231 A * 12/1989 Foote et al. 206/363

D596,311 S * 7/2009 Antons D24/227
D608,015 S * 1/2010 Sandel D24/227
D608,456 S * 1/2010 Sandel D24/227
D618,821 S * 6/2010 Larsen D24/227
D638,137 S * 5/2011 Gross et al. D24/227
D650,912 S * 12/2011 Tomes et al. D24/227
D662,218 S * 6/2012 Pittman D24/227

* cited by examiner

Primary Examiner — T. Chase Nelson

Assistant Examiner — Mark Cavanna

(74) *Attorney, Agent, or Firm* — Burr & Brown

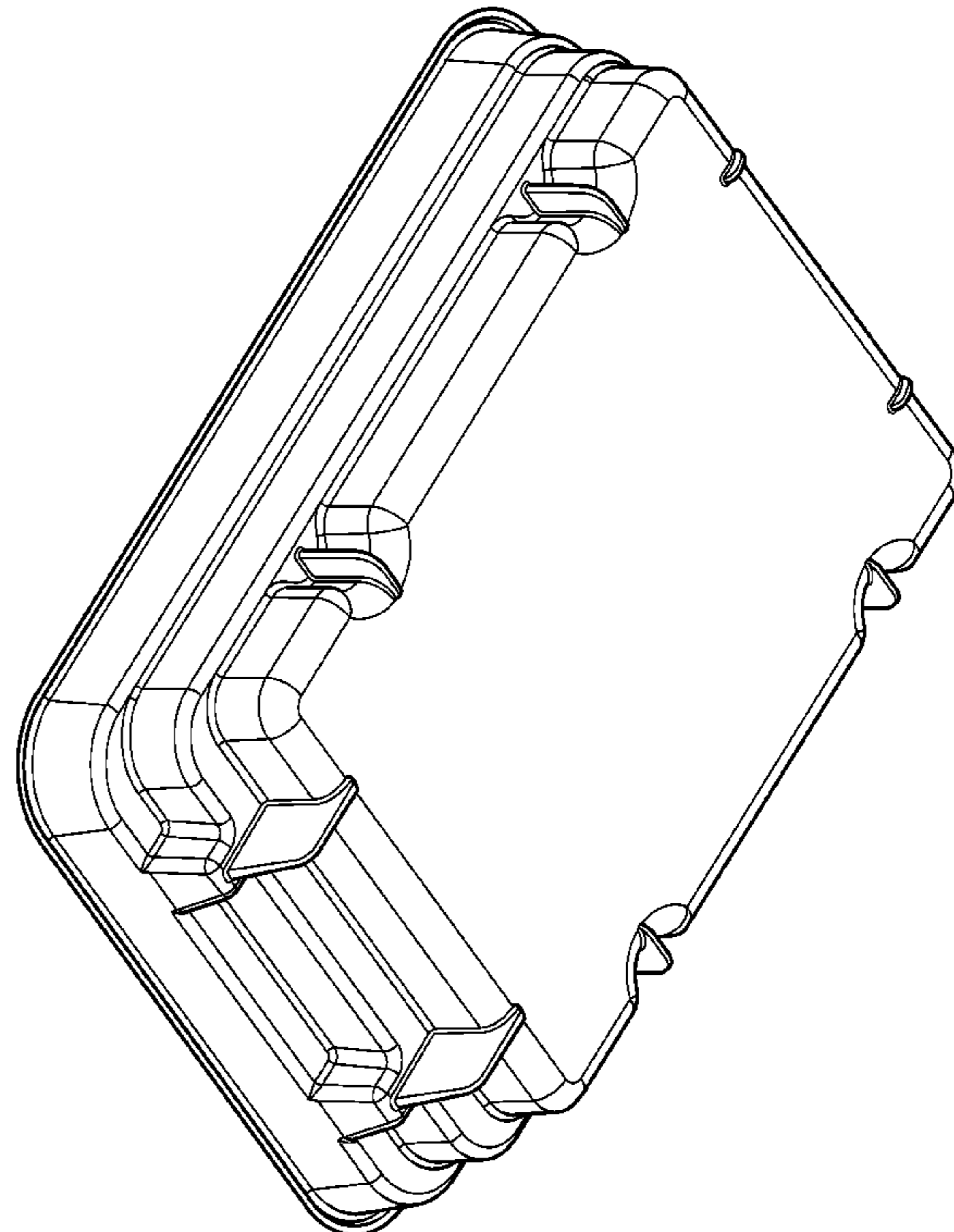
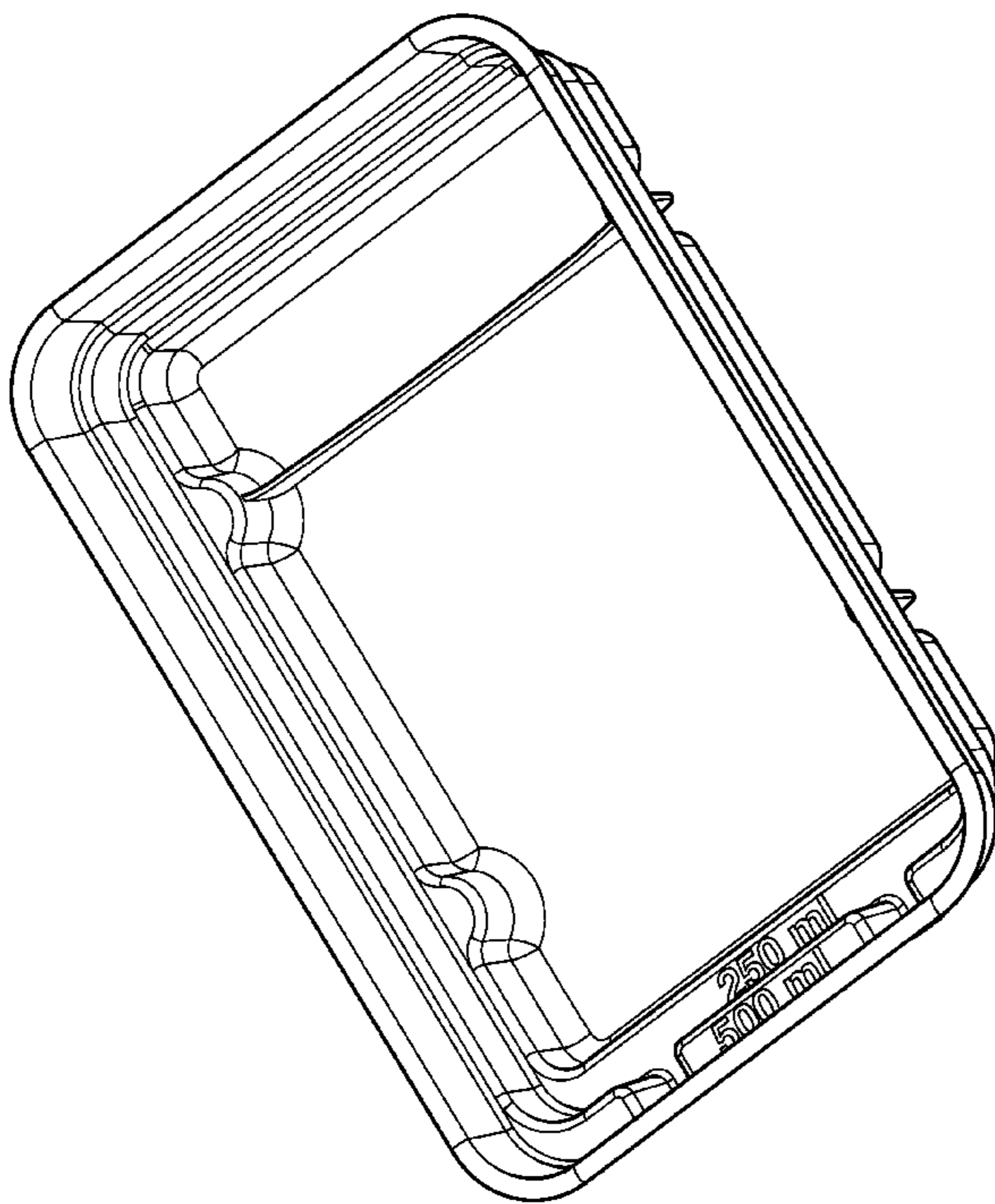
(57) **CLAIM**

The ornamental design for a container, as shown and described.

DESCRIPTION

FIG. 1 is a top view of the container in accordance with my new design;
FIG. 2 is a bottom view thereof;
FIG. 3 is a left side view thereof;
FIG. 4 is a right side view thereof;
FIG. 5 is a front view thereof (the rear view thereof being a mirror image of FIG. 5);
FIG. 6 is a top perspective view thereof; and,
FIG. 7 is a bottom perspective view thereof.
A potential use for the container is for medical purposes.

1 Claim, 7 Drawing Sheets



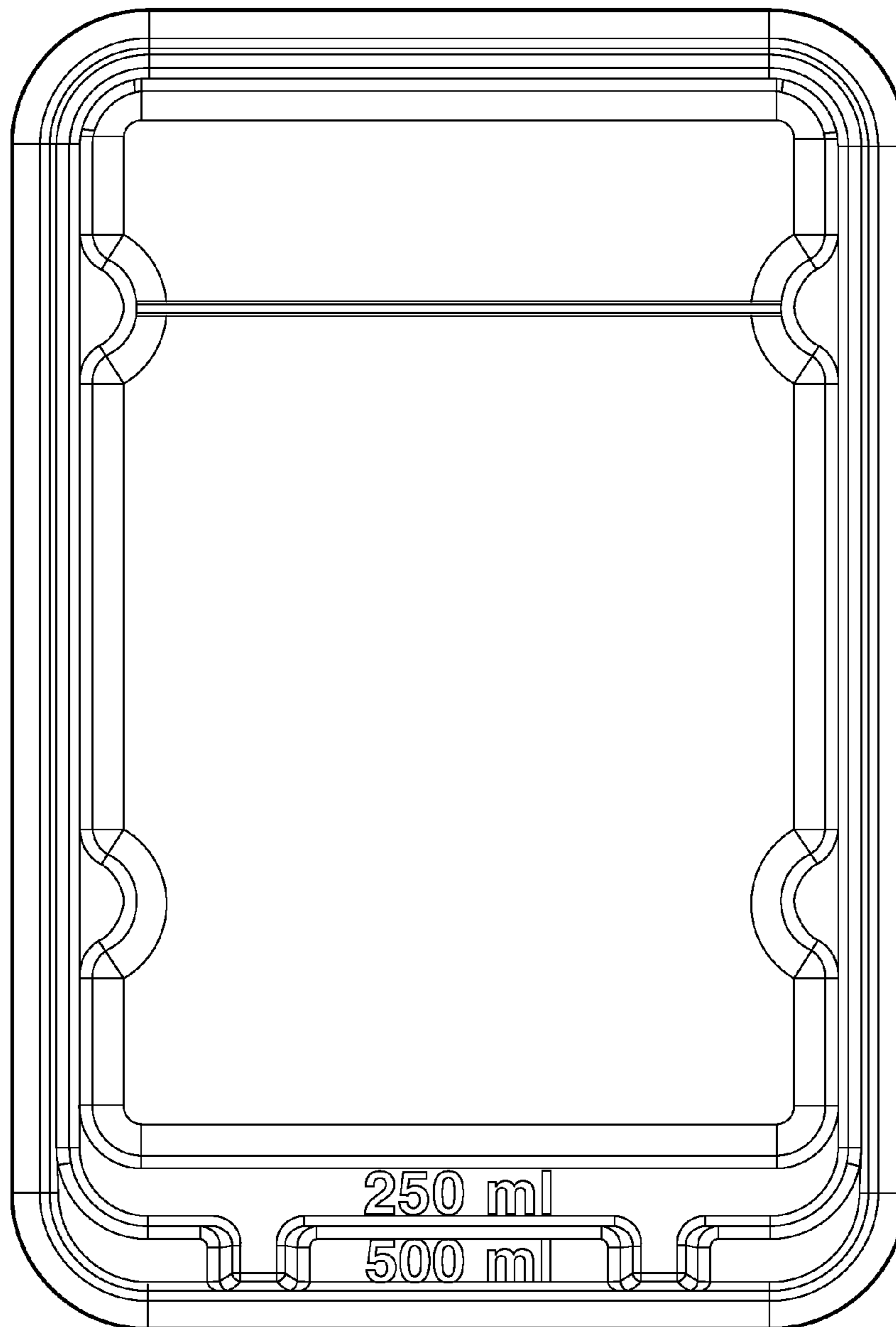


FIG. 1

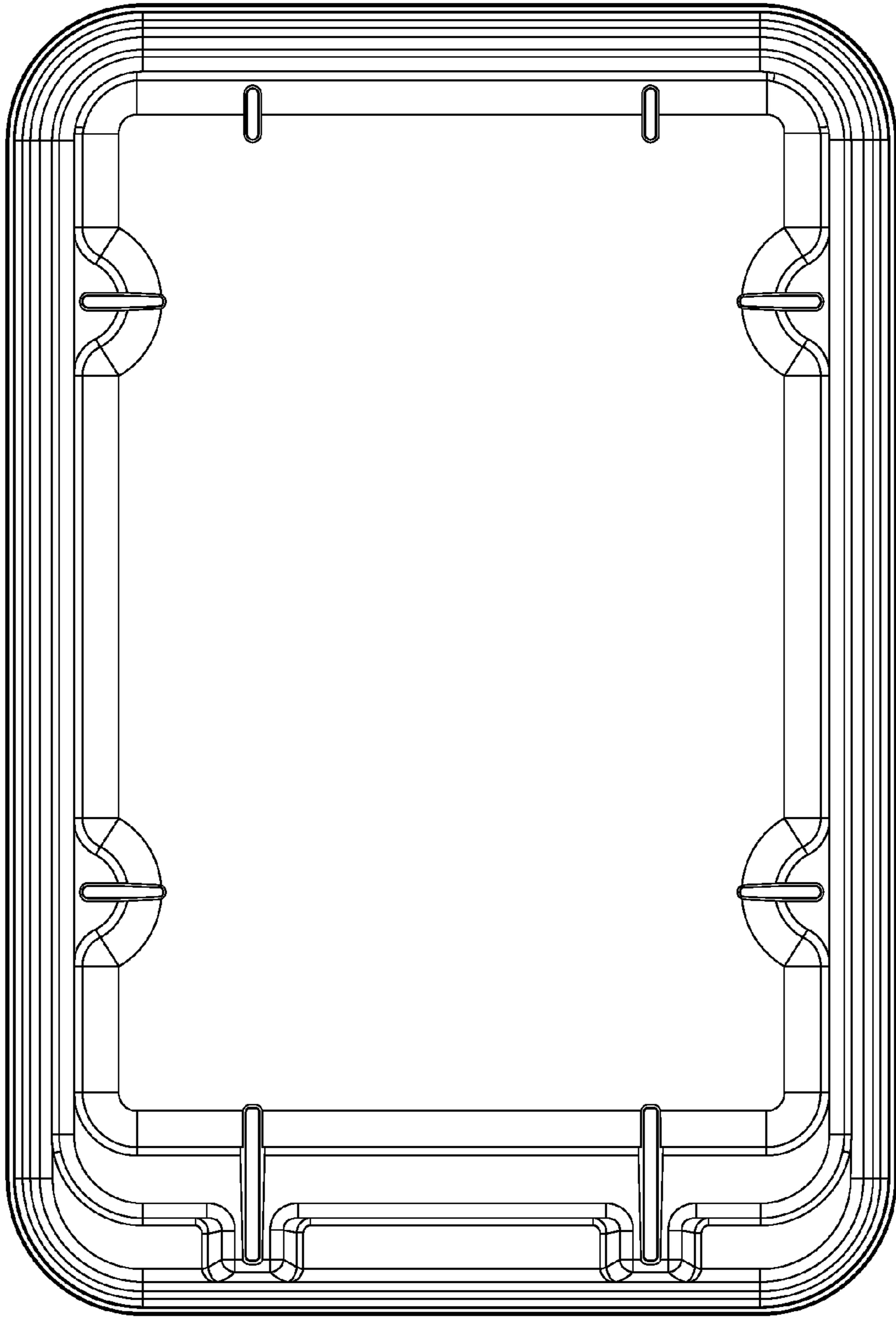


FIG. 2

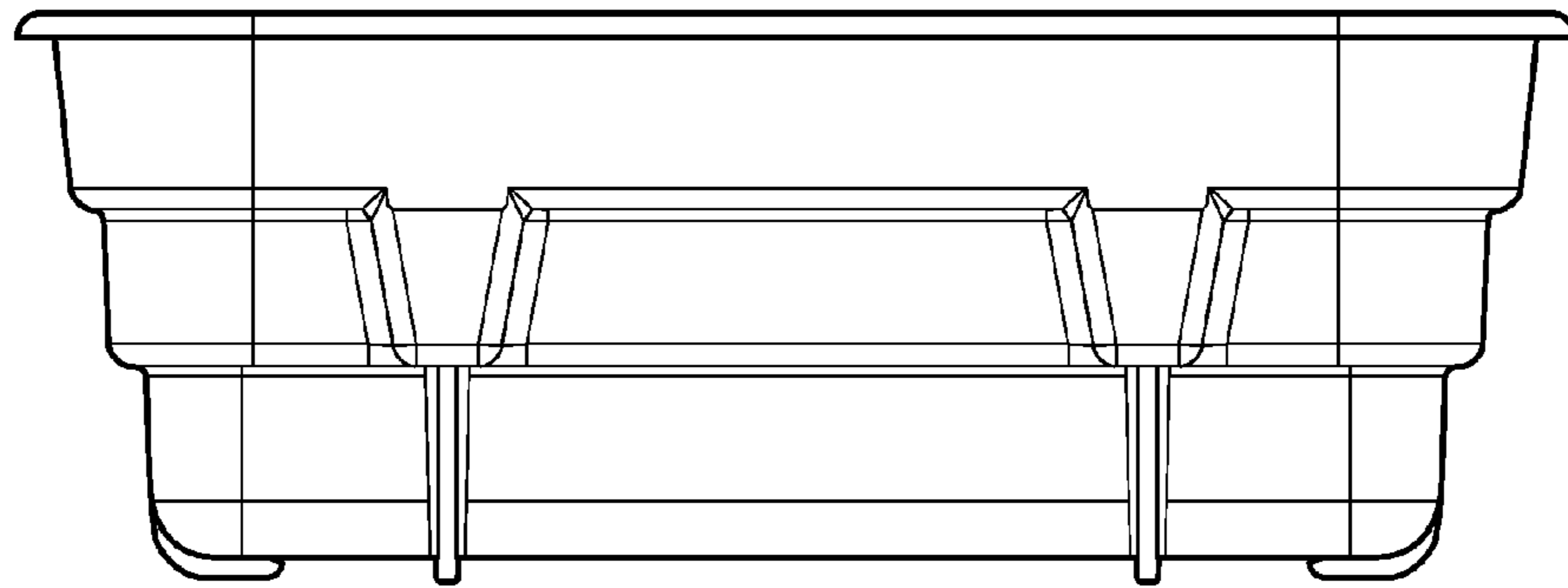


FIG. 3

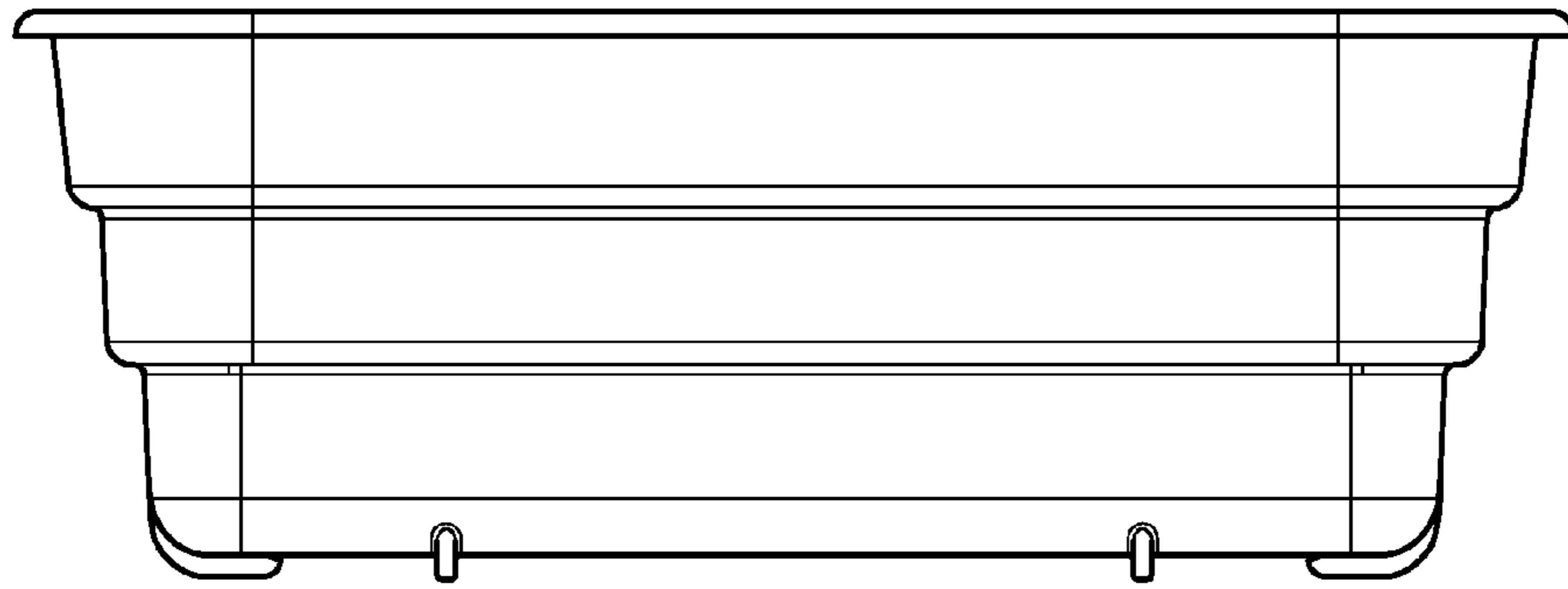


FIG. 4

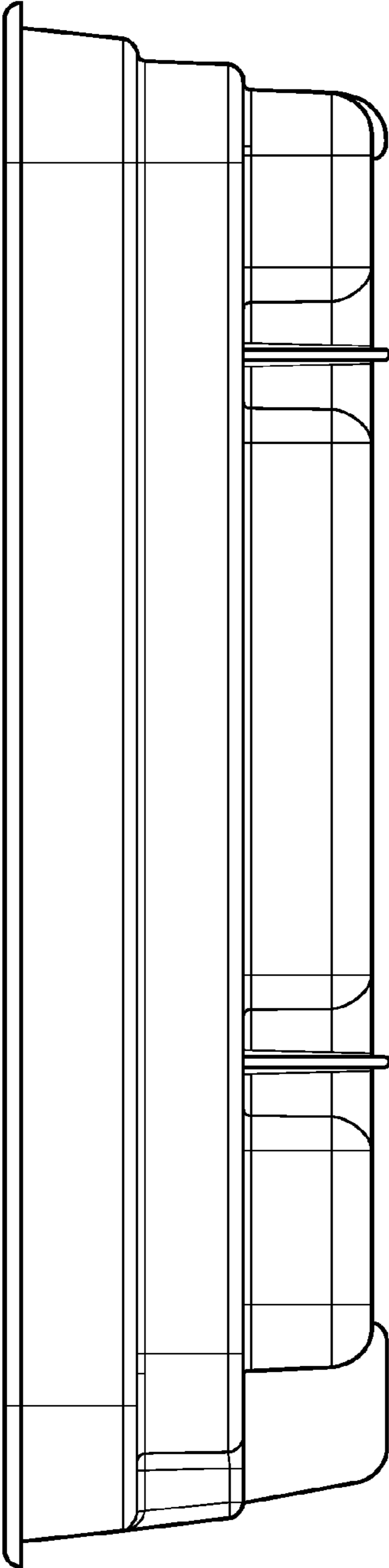


FIG. 5

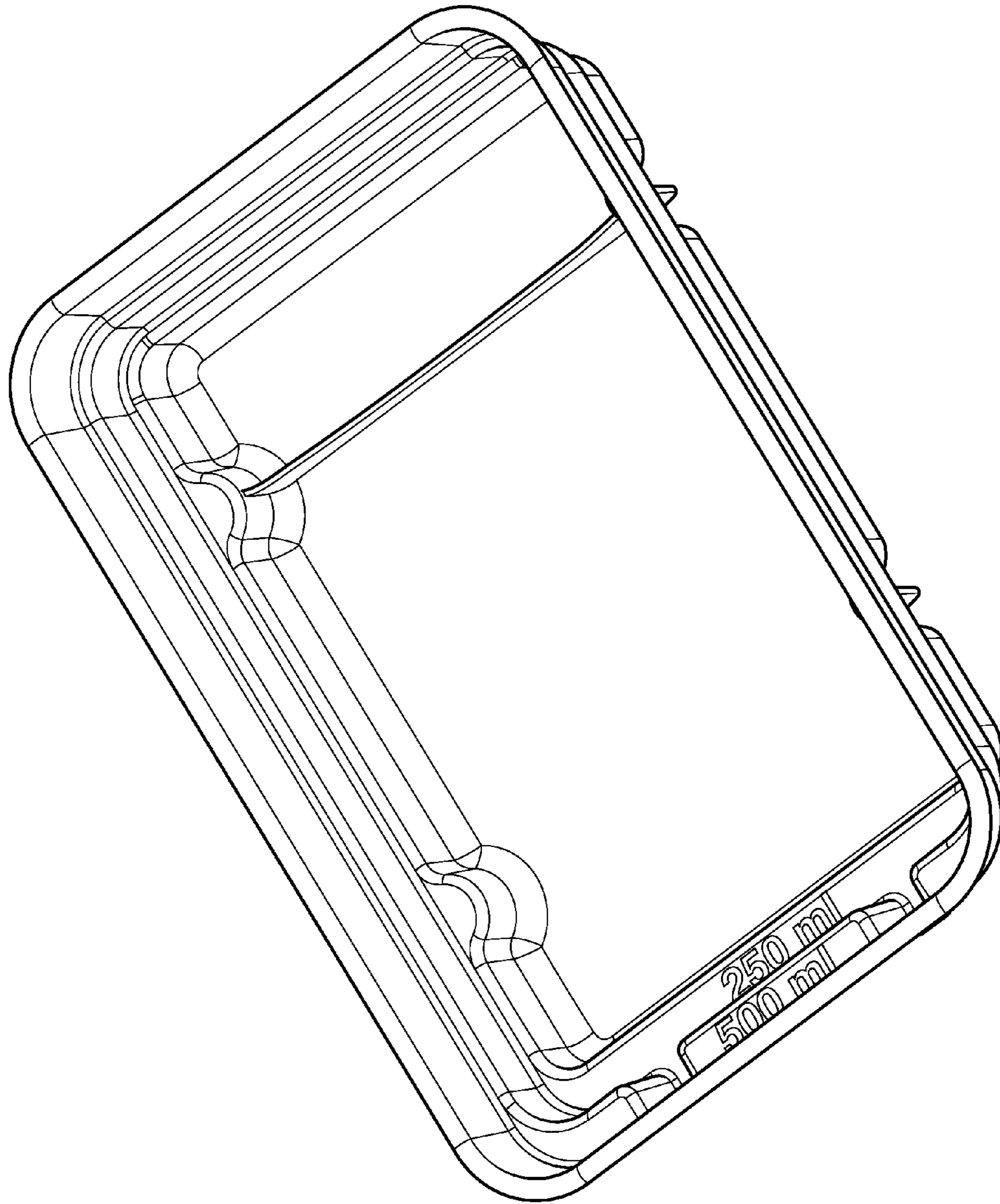


FIG. 6

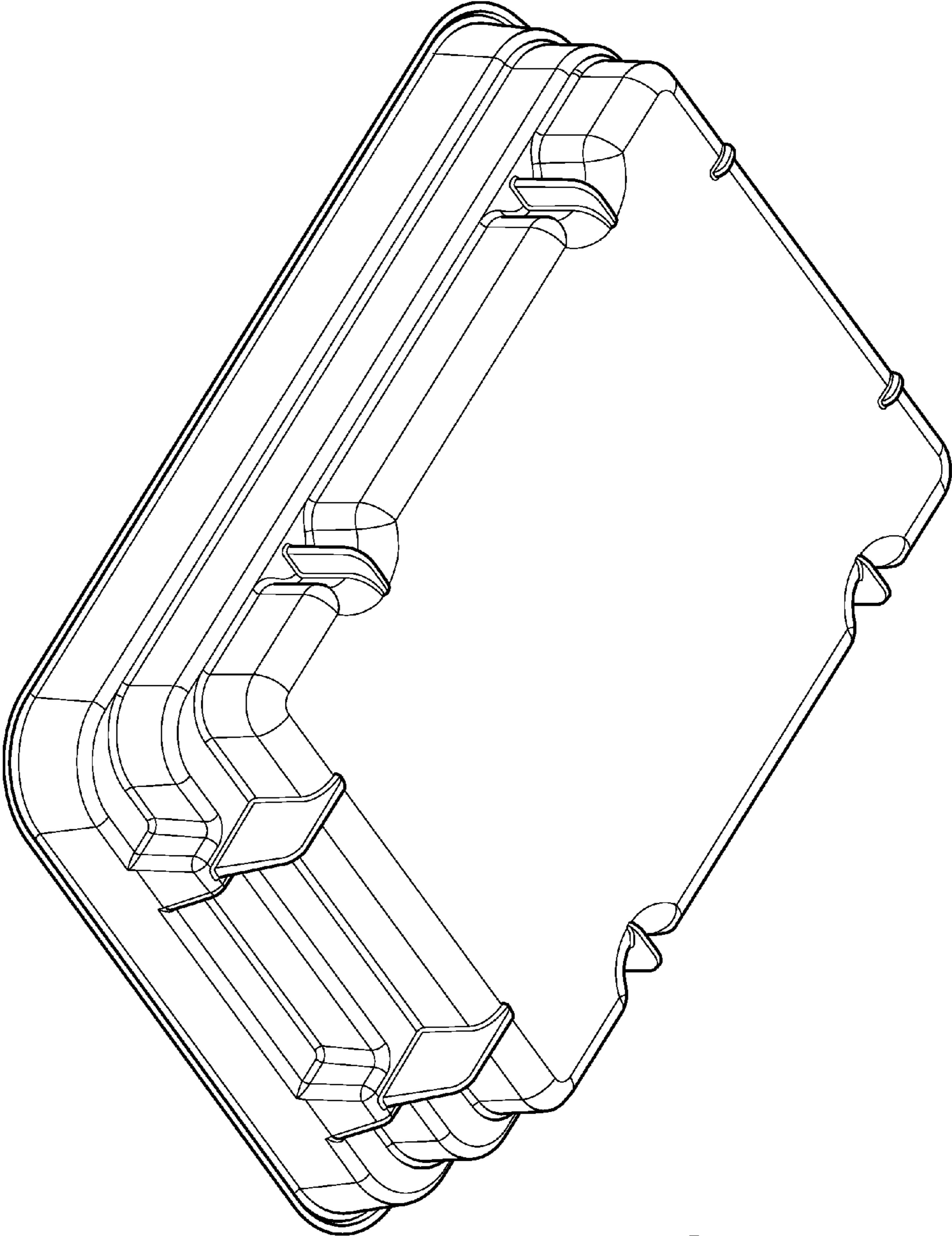


FIG. 7